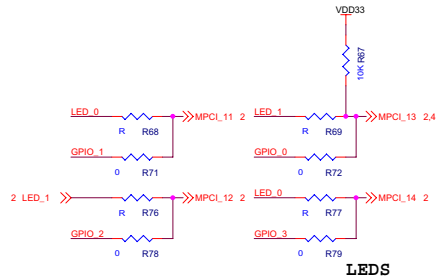
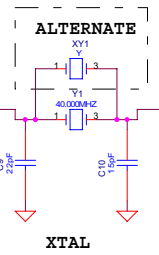
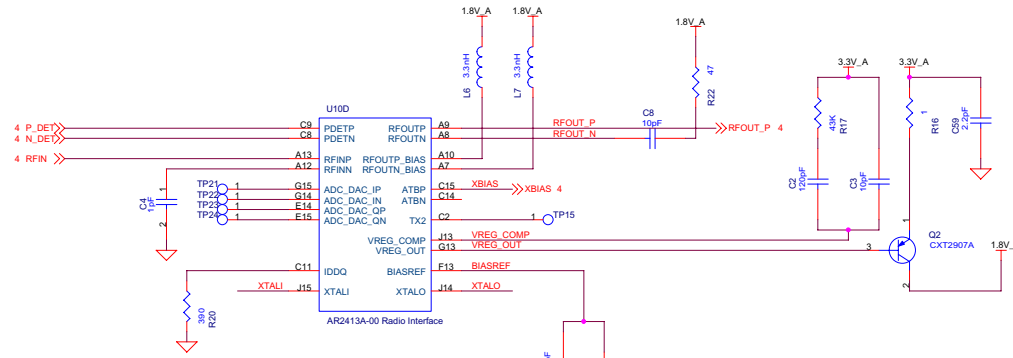


# iWavePort WLM54G 1A

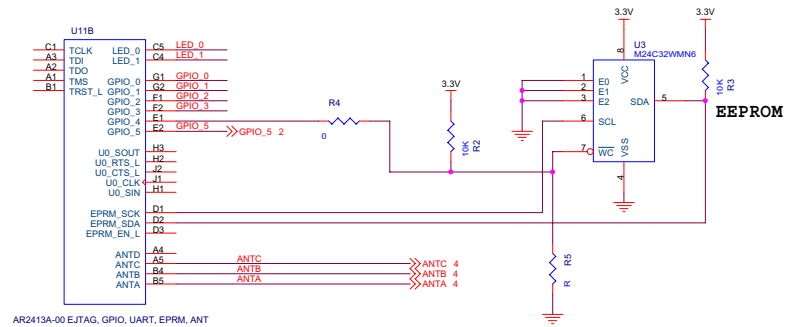


LEDS

IMPORTANT NOTE: NEVER INSTALL R69 AND R76.



BIASREF



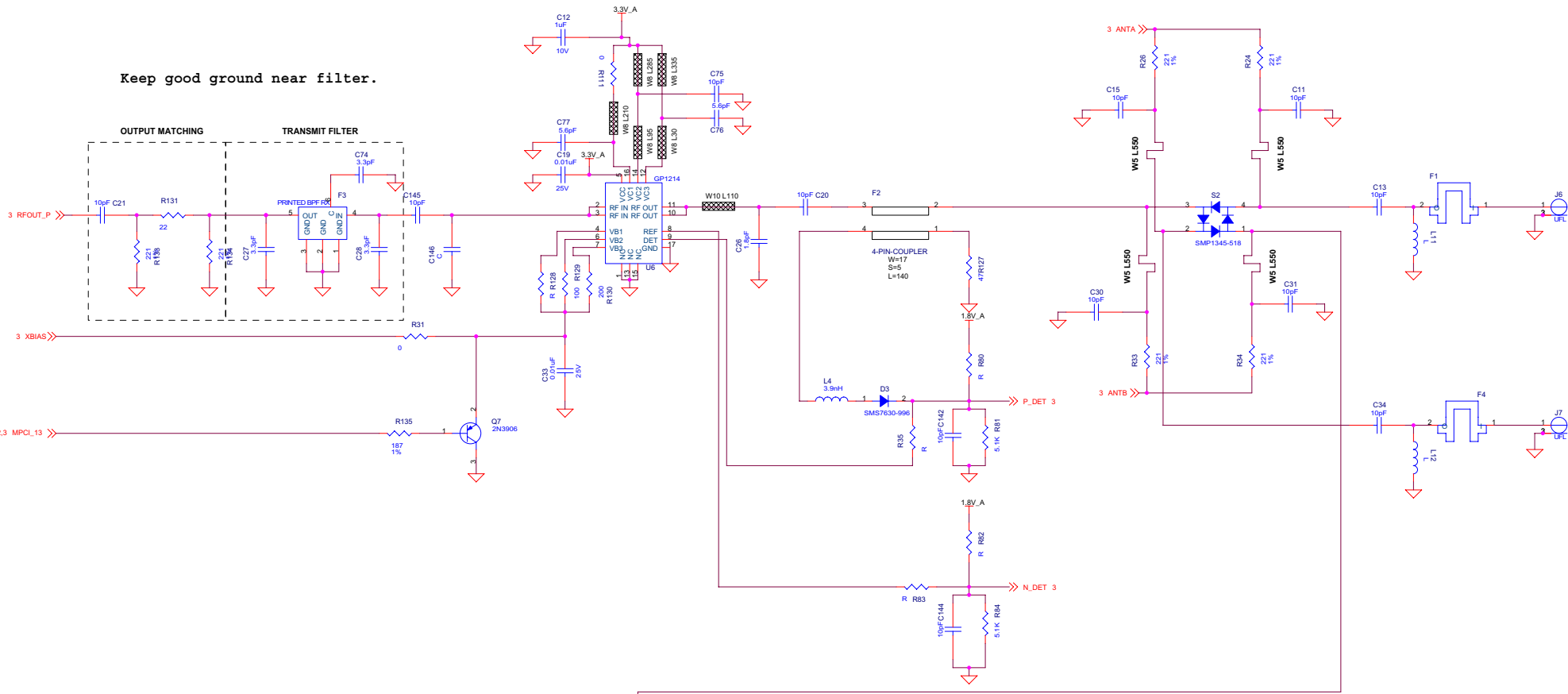
EEPROM

AR2413A-00 E,JTAG, GPIO, UART, EPRM, ANT

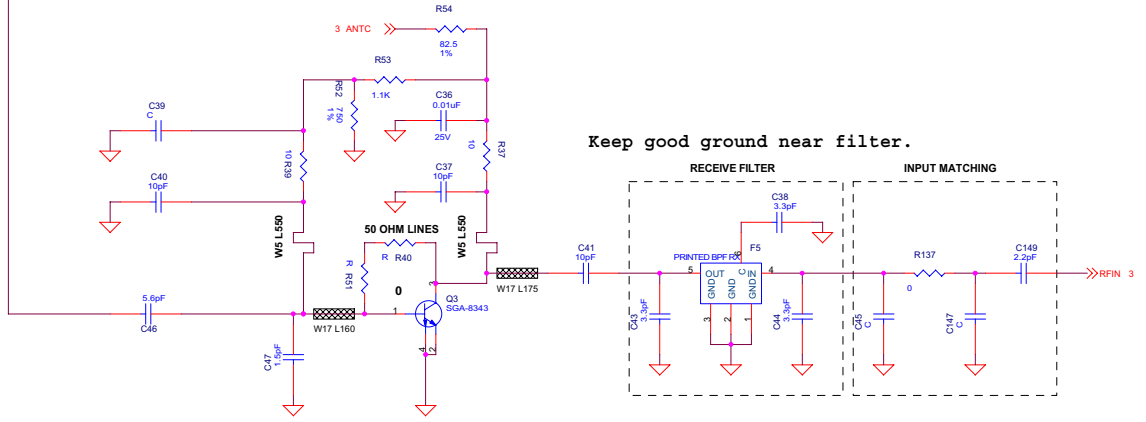
RFDATAIN\_3 = U0\_CTS\_L  
 RFDATAIN\_2 = U0\_CLK  
 RFDATAIN\_1 = U0\_SIN  
 RFDATAIN\_0 = EPRM\_SCK  
 RFDATACOPY = EPRM\_SDA  
 RFRSIFT = ANT\_D  
 RFLONG = ANT\_E  
 RFRST\_L = ANTA

**ATHEROS CONFIDENTIAL**  
**PRELIMINARY**

Keep good ground near filter.

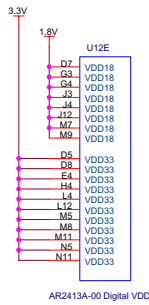
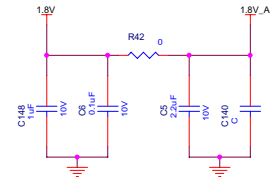
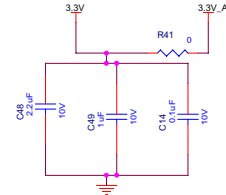
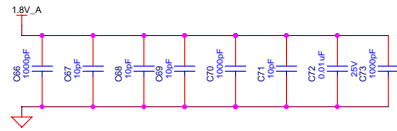
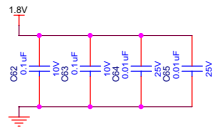
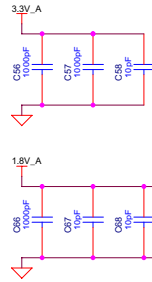
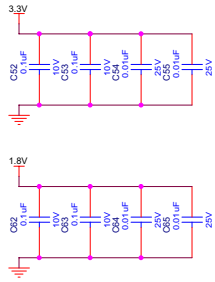


Keep good ground near filter.

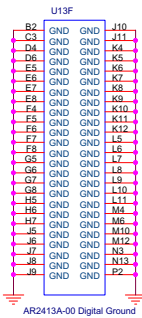


**ATHEROS CONFIDENTIAL**  
**PRELIMINARY**

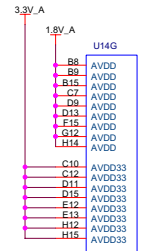
# ATHEROS CONFIDENTIAL PRELIMINARY



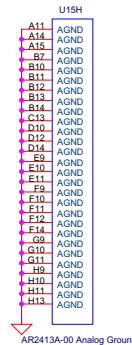
AR2413A-00 Digital VDD



AR2413A-00 Digital Ground



AR2413A-00 Analog VDD



AR2413A-00 Analog Ground

