

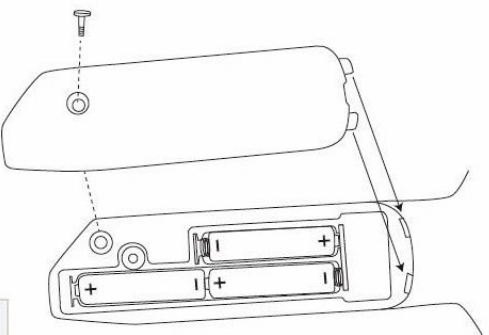
Battery Installation

GeoSafari Jr. Talking Bug Net uses 3 AAA batteries.

1. Carefully remove the screw to lift the battery box cover from the back of the handle.
2. Install three fresh AAA batteries in the battery compartment as shown below.
 - Do not use rechargeable batteries.
 - Do not mix old and new batteries.
 - Do not mix different types of batteries: alkaline, standard (carbon zinc) or rechargeable (nickel-cadmium) batteries.
 - Only batteries of the same or equivalent type are to be used.
 - Batteries must be inserted with the correct polarity.
 - Remove exhausted batteries from the unit.
 - The supply terminals are not to be short-circuited.
3. Close the compartment door and tighten screw.

Cleaning Instructions

Clean product with a slightly damp cloth or dry cloth. Do not immerse or spray with any liquid or water on product.



This device complies with Part 15 of the FCC rules. Operation is subject to the following two conditions: (1) this device may not cause harmful interference and (2) this device must accept any interference received, including interference that may cause undesired operation.

Bottom of handle

Find us on
Facebook

www.facebook.com/educationalinsights

Tell us what you think!
We listen to you. We care about you.
www.educationalinsights.com



Developed in Southern California by Educational Insights.
© Educational Insights, Inc., Gardena, CA (U.S.A.). All rights reserved.
Learning Resources Ltd., Oldenslow Road, King's Lynn, Norfolk,
PE30 4JX, UK. Please retain this information. Made in China.
www.educationalinsights.com



Talking Bug Net

Instruction guide



6 Bugs!

60 Amazing facts & quiz mode

WARNING:

CHOKING HAZARD—Small parts.
Not for children under three (3) years.



EI-5264
ages 4+