

NOTES: UNLESS OTHERWISE SPECIFIED
 1. ALL RESISTOR VALUES ARE IN OHMS.
 2. ALL CAPACITOR VALUES ARE IN pF.
 3. ALL INDUCTOR VALUES ARE IN mH.

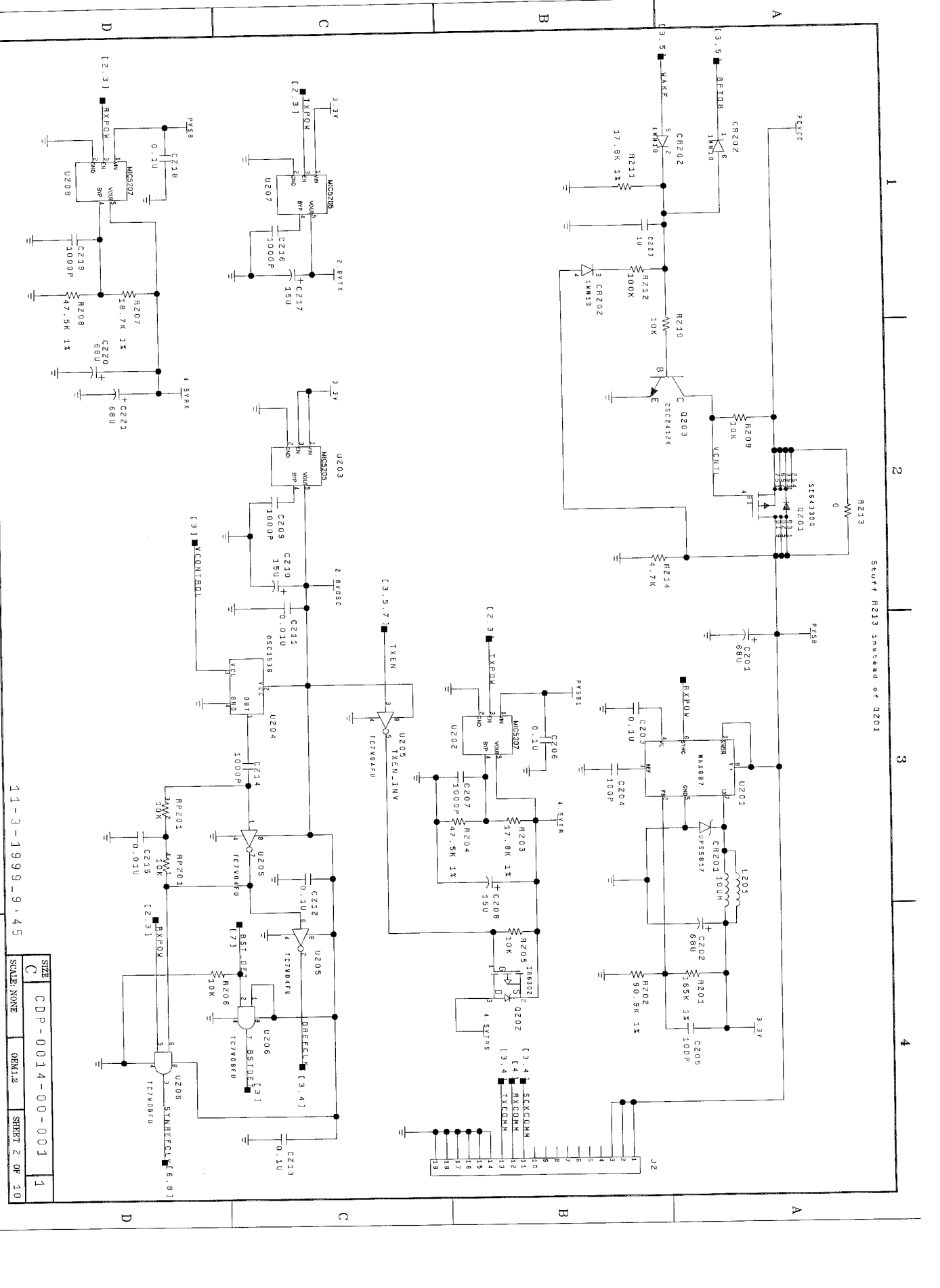
SPARES

C	
CR	
FL	
ISB	
IUB	
J	
L	
D	
H	
R/T/P	
U	
LAST USED	NOT USED
REFERENCE DESIGNATION	

10-20-1999-14.43

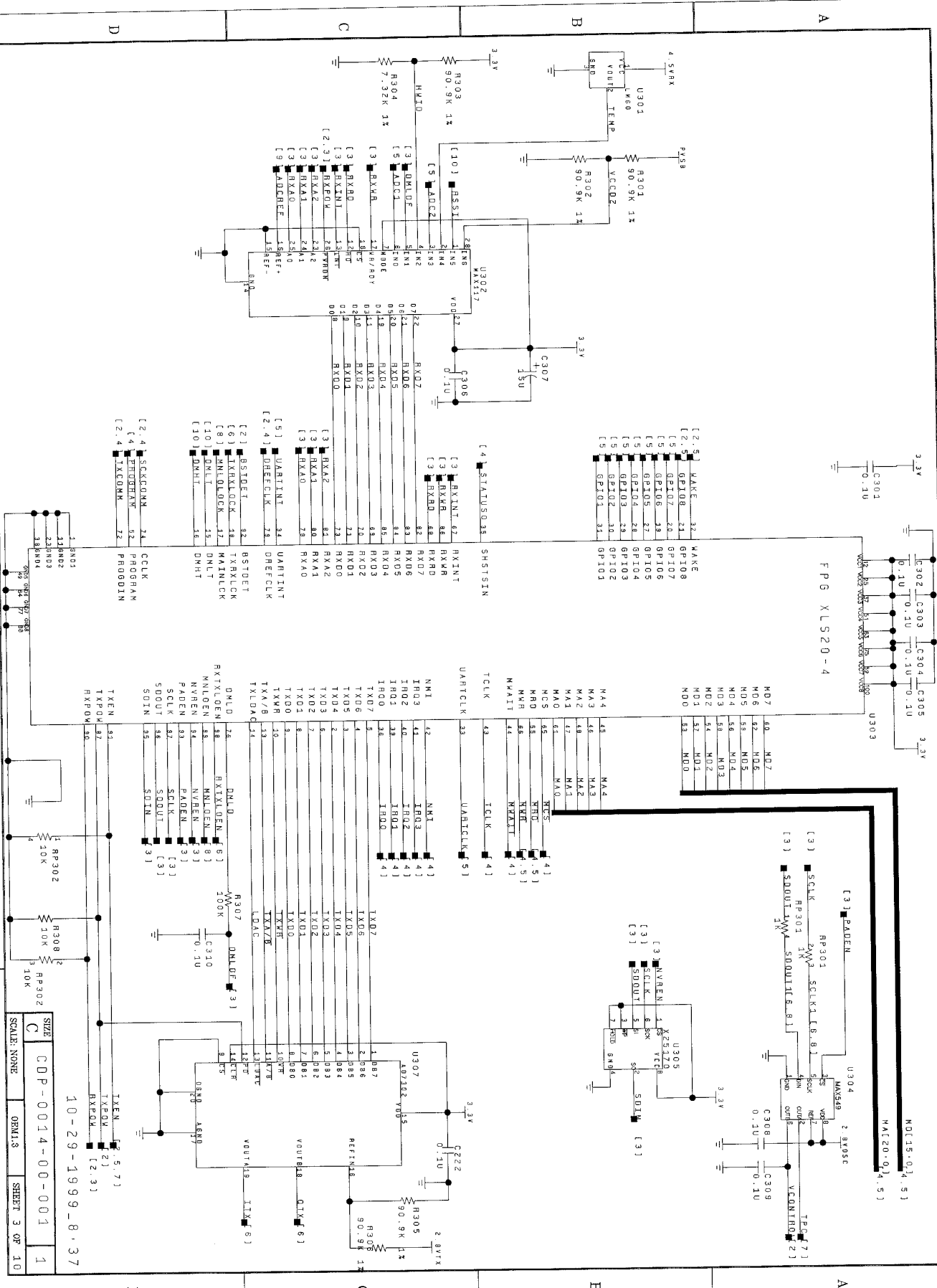
REV	DESCRIPTION	DATE	APPROVED
1	prototype	9/17/99	

CONTRACT NO.		DATE	
DPM Jim Lacour		9/10/99	
NEXTCELL, INC. 651 EAST 18TH ST. PLANO, TEXAS 75075			
SCHEMATIC DIAGRAM, CDDP OEM1 PCB			
SIZE	CDDP-0014-00-001	SHEET	1 OF 10
SCALE: NONE	OEM1.1		

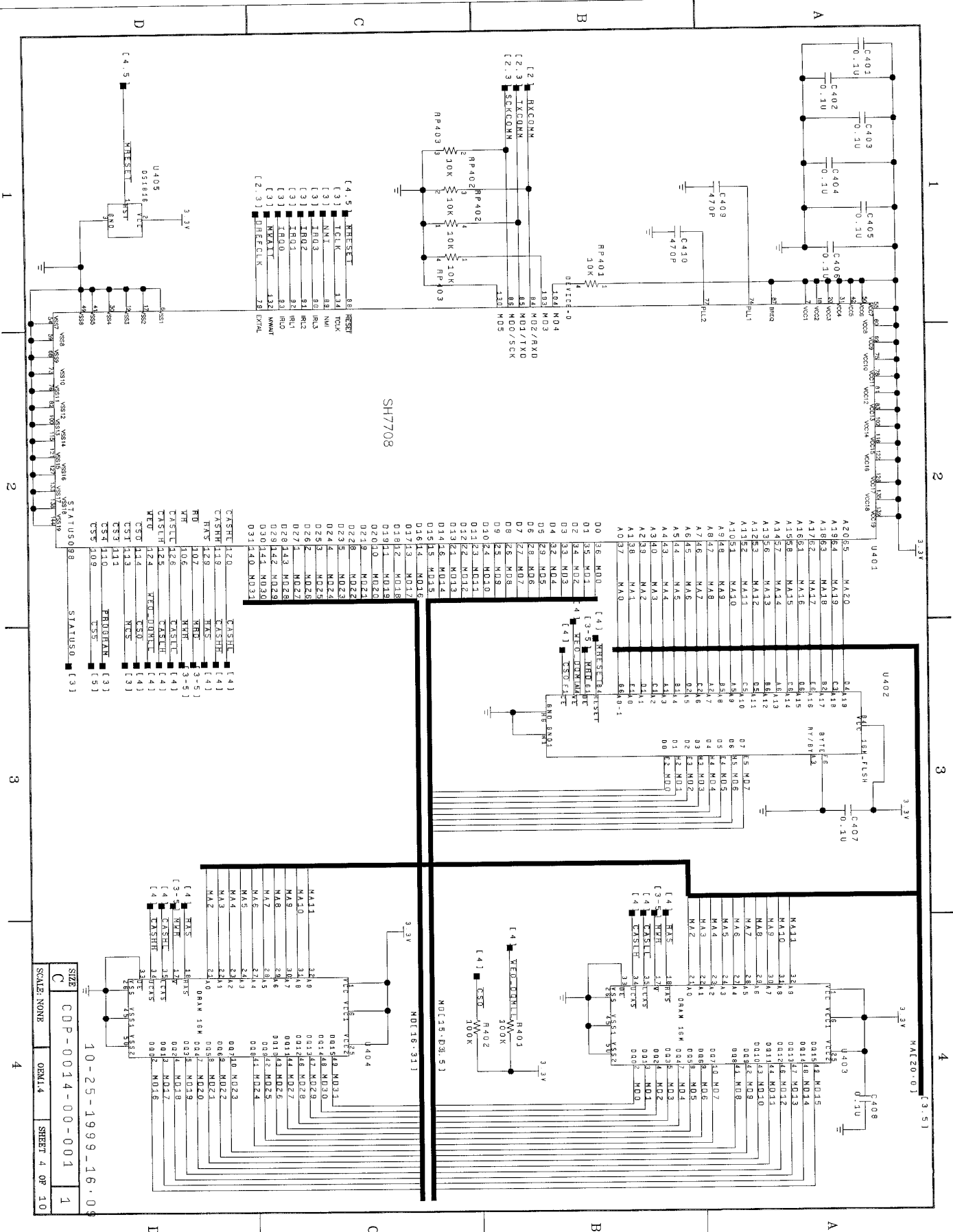


11-3-1999-9.45

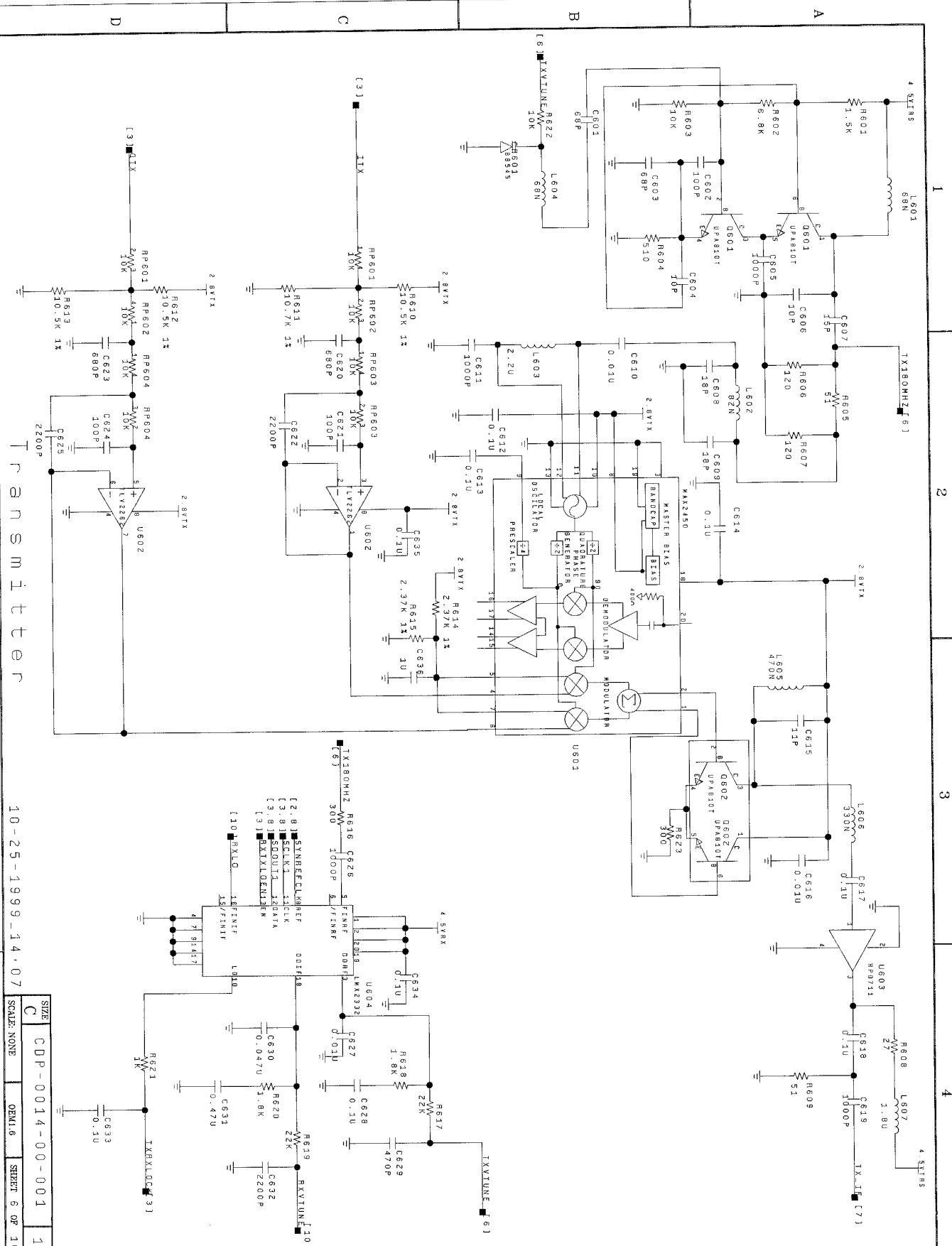
SIZE	C	CDP-0014-00-001	1
SCALE	NONE	OR112	SHEET 2 OF 10



Pin	Logic Block Type	Count
1	U301	1
2	U302	1
3	C301	1
4	C302	1
5	C303	1
6	C304	1
7	C305	1
8	C306	1
9	C307	1
10	C308	1
11	C309	1
12	U304	1
13	U305	1
14	U306	1
15	U307	1
16	U308	1
17	U309	1
18	U310	1
19	U311	1
20	U312	1
21	U313	1
22	U314	1
23	U315	1
24	U316	1
25	U317	1
26	U318	1
27	U319	1
28	U320	1
29	U321	1
30	U322	1
31	U323	1
32	U324	1
33	U325	1
34	U326	1
35	U327	1
36	U328	1
37	U329	1
38	U330	1
39	U331	1
40	U332	1
41	U333	1
42	U334	1
43	U335	1
44	U336	1
45	U337	1
46	U338	1
47	U339	1
48	U340	1
49	U341	1
50	U342	1
51	U343	1
52	U344	1
53	U345	1
54	U346	1
55	U347	1
56	U348	1
57	U349	1
58	U350	1
59	U351	1
60	U352	1
61	U353	1
62	U354	1
63	U355	1
64	U356	1
65	U357	1
66	U358	1
67	U359	1
68	U360	1
69	U361	1
70	U362	1
71	U363	1
72	U364	1
73	U365	1
74	U366	1
75	U367	1
76	U368	1
77	U369	1
78	U370	1
79	U371	1
80	U372	1
81	U373	1
82	U374	1
83	U375	1
84	U376	1
85	U377	1
86	U378	1
87	U379	1
88	U380	1
89	U381	1
90	U382	1
91	U383	1
92	U384	1
93	U385	1
94	U386	1
95	U387	1
96	U388	1
97	U389	1
98	U390	1
99	U391	1
100	U392	1



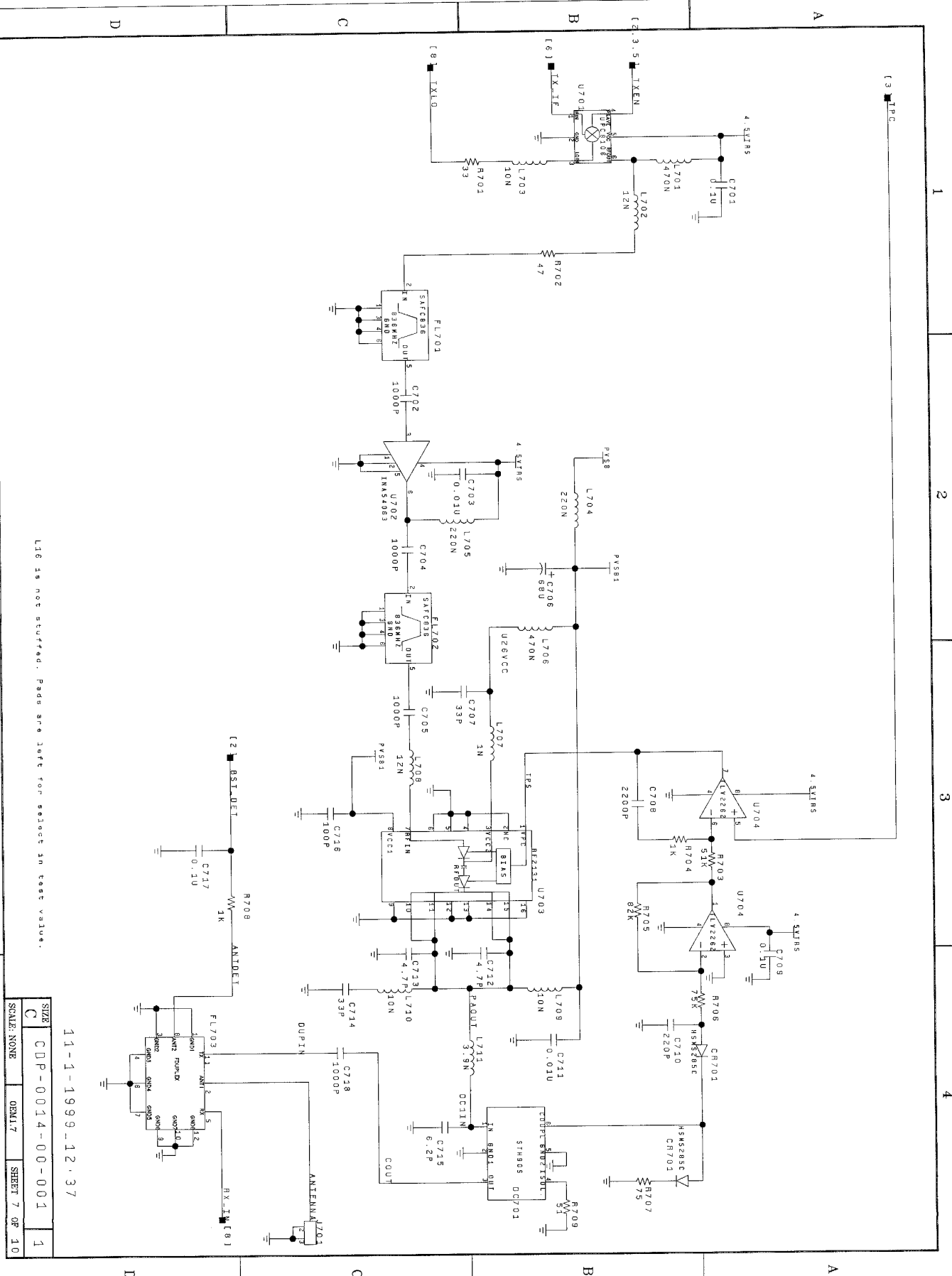
SIZE CDP-0014-00-001 1
 SCALE NONE ONML4 SHEET 4 OF 10
 10-25-1999_16.09



SIZE	CDP-0014-00-001	1
SCALE: NONE	OR: 1.6	SHEET 6 OF 10

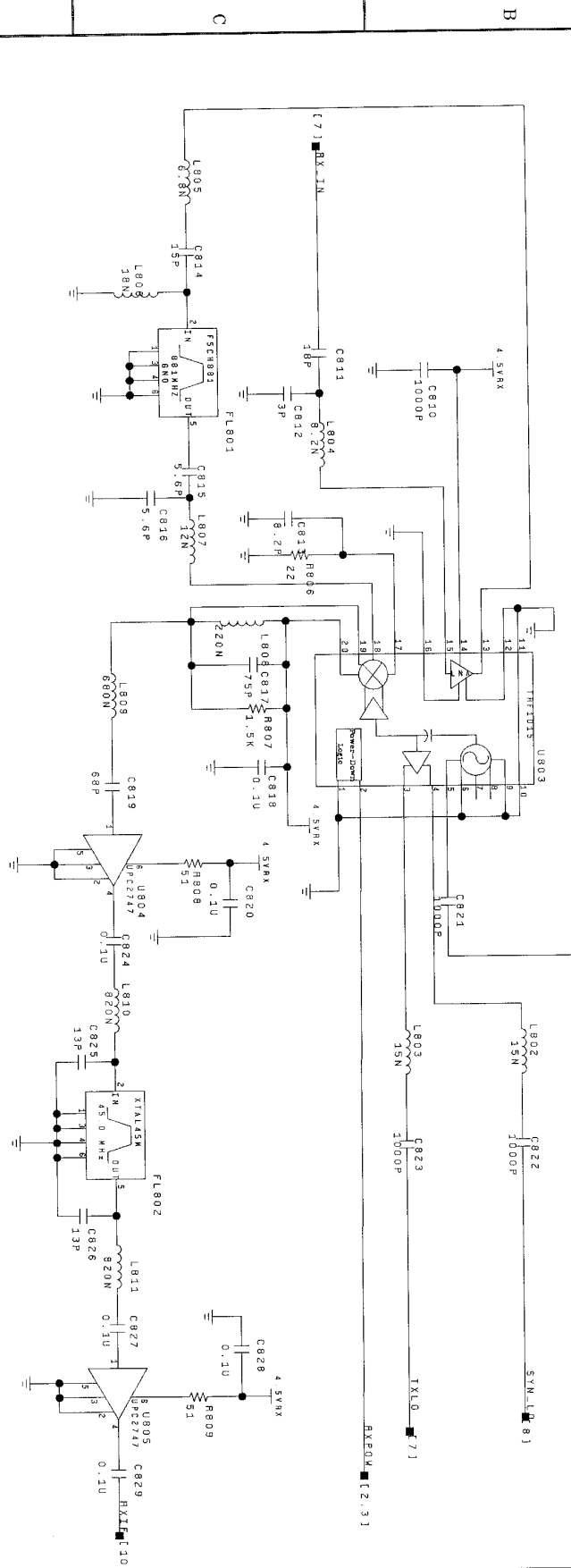
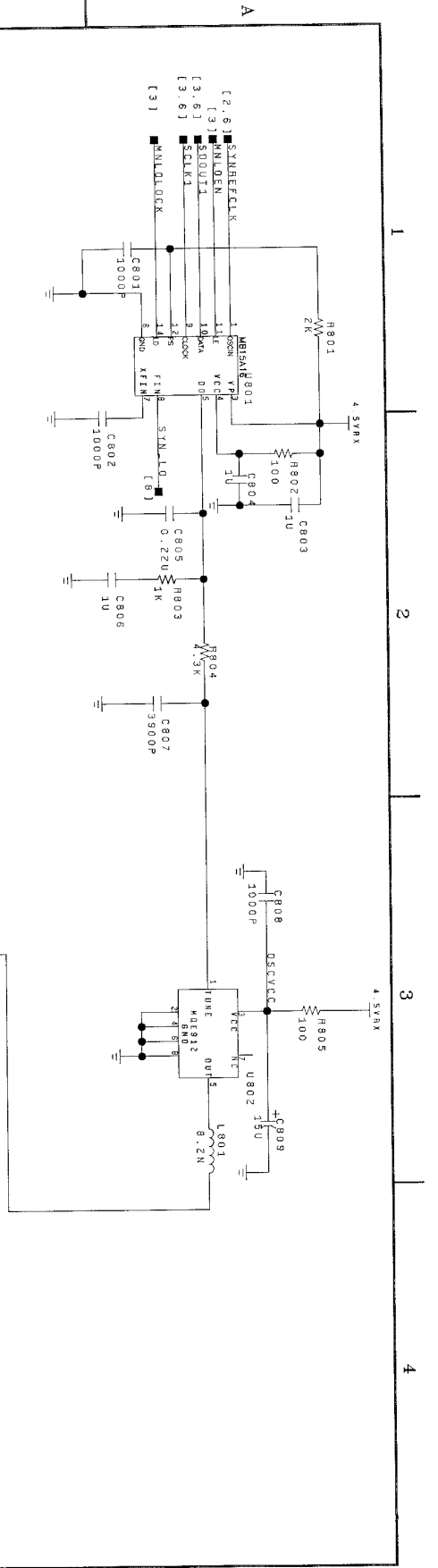
10-25-1999-14.07

Transmitter

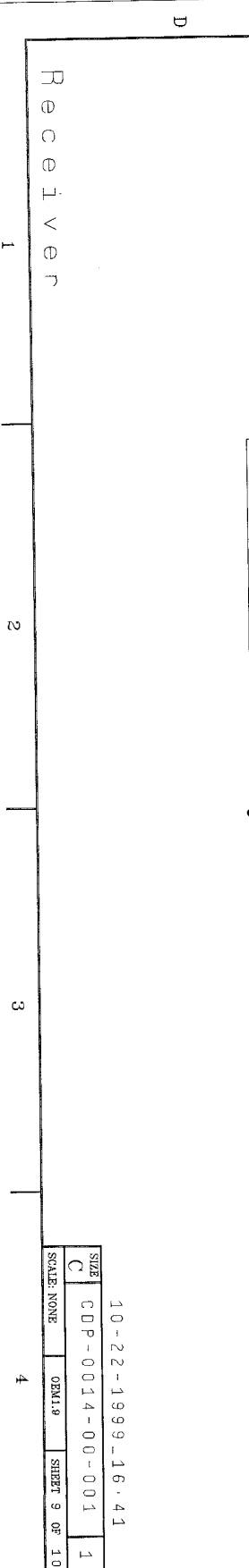
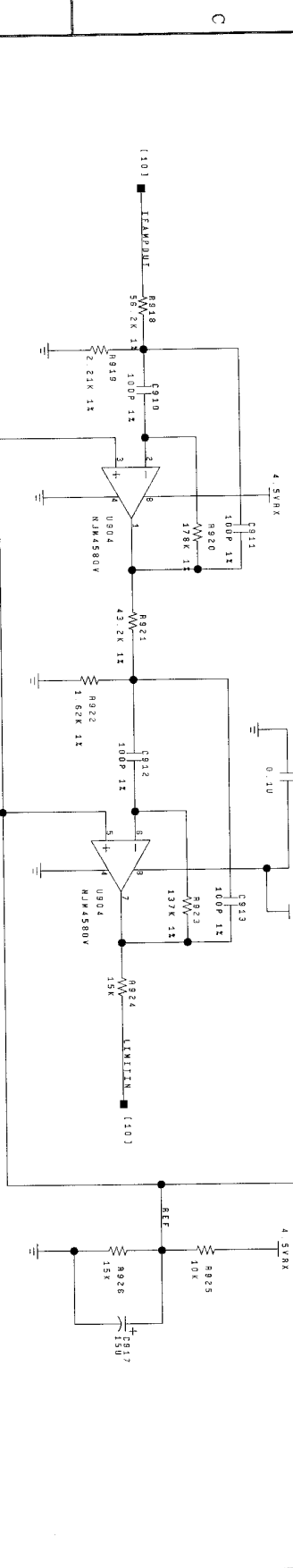
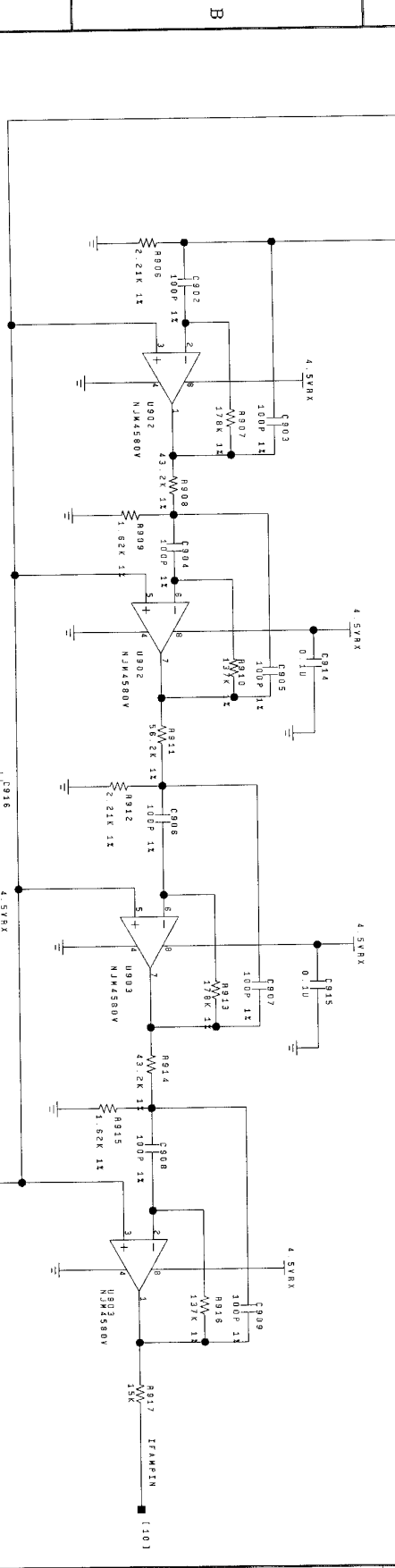
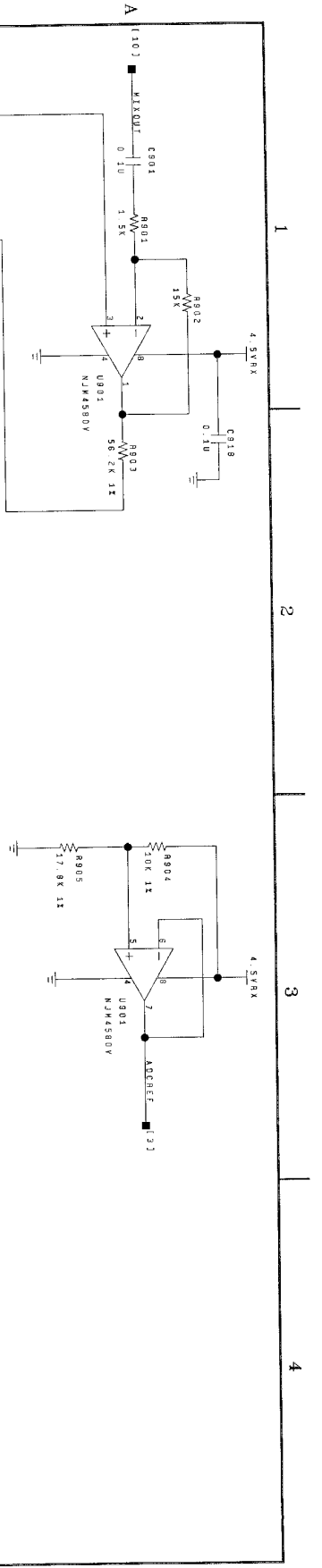


L70 is not stuffed. Pins are left for select in test value.

SIZE	C	11-1-1999-12-37	1
SCALE	NONE	CDP-0014-00-001	1
ORIGIN	ORNL7	SHEET 7 OF 10	

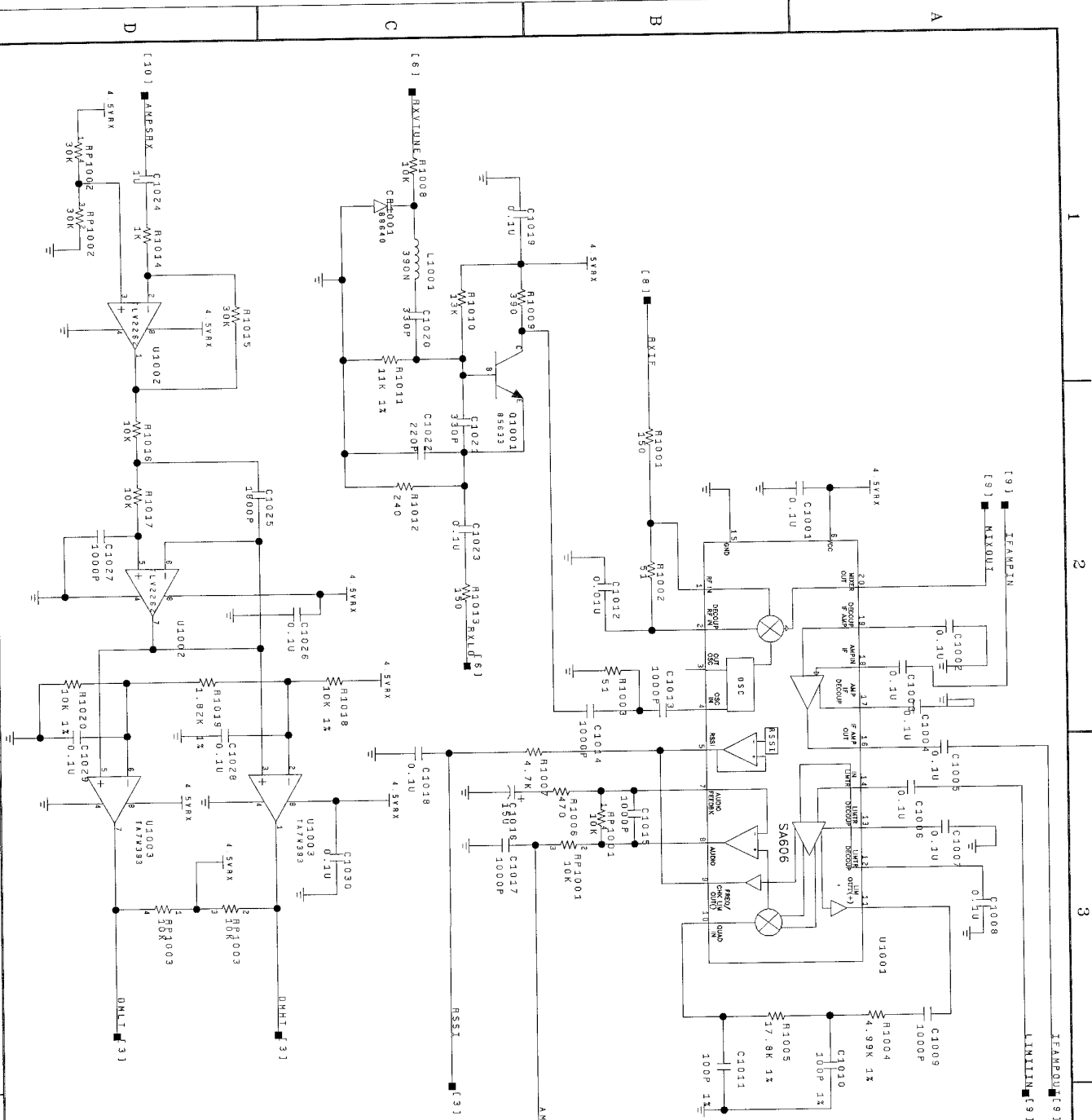


11-1-1999-12.15
 SIZE C
 CDP-0011-00-001
 SCALE NONE
 SHEET 8 OF 10



Receiver

SIZE	10-22-1999-16-41
C	CDP-0014-00-001
SCALE NONE	OR1.9
	SHEET 9 OF 10



SIZE	C	CDP-0014-00-001	1
SCALE	NONE	08M110	SHEET 10 OF 10

11-1-1999-12.13