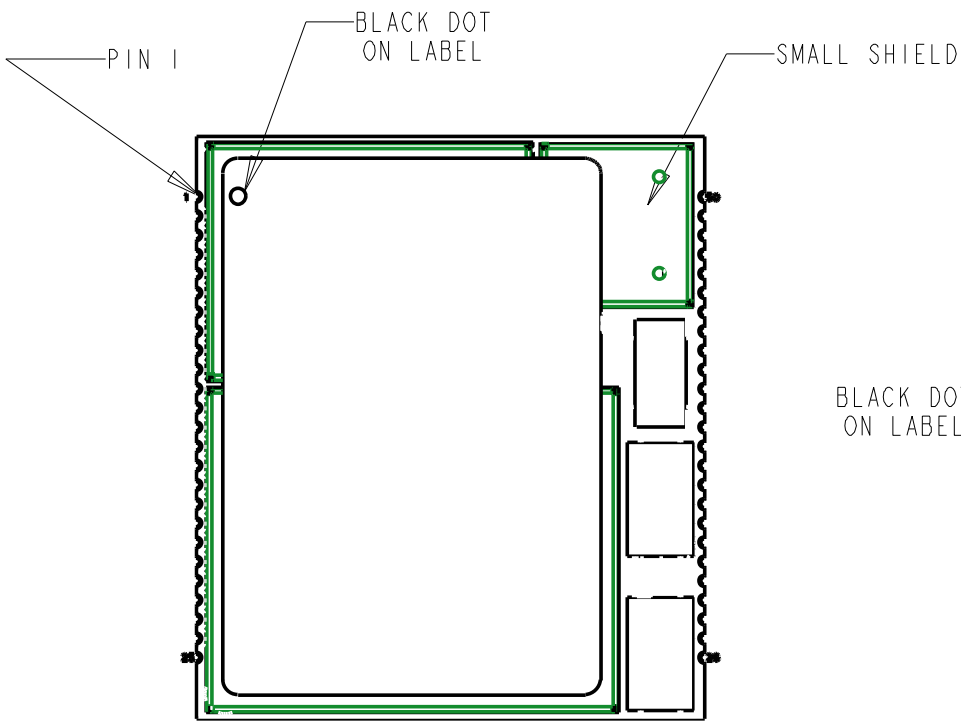


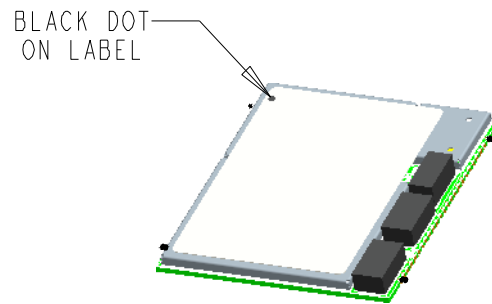
REVISIONS			
REV	DESCRIPTION	DATE	APPROVED
A	PRODUCTION RELEASE	09/04/08	WN

NOTES;

1. ATTACH LABEL (GRAPHICS NOT SHOWN) TO THE MODULE'S SHIELDS AS SHOWN.
2. ALIGN BLACK DOT ON LABEL WITH PIN 1 ON THE MODULE, AS SHOWN.
3. BURNISH LABEL AS NEEDED TO ENSURE THAT ALL EDGES ARE DOWN ON THE SURFACE.



TOP VIEW



ISOMETRIC VIEW



THIS DOCUMENT, SUBMITTED IN CONFIDENCE, CONTAINS PROPRIETARY INFORMATION WHICH SHALL NOT BE REPRODUCED OR TRANSFERRED TO OTHER DOCUMENTS OR DISCLOSED TO OTHERS OR USED FOR MANUFACTURING OR ANY OTHER PURPOSE WITHOUT WRITTEN PERMISSION OF ENFORA, INC.

TITLE:
ASSEMBLY, LPP0108 MODULE WITH LABEL

DRAWING NO: **LPP0108MG602ASY**

SCALE: 2.00

SIZE: A

UNITS:

REV. **A**

SHEET / OF /