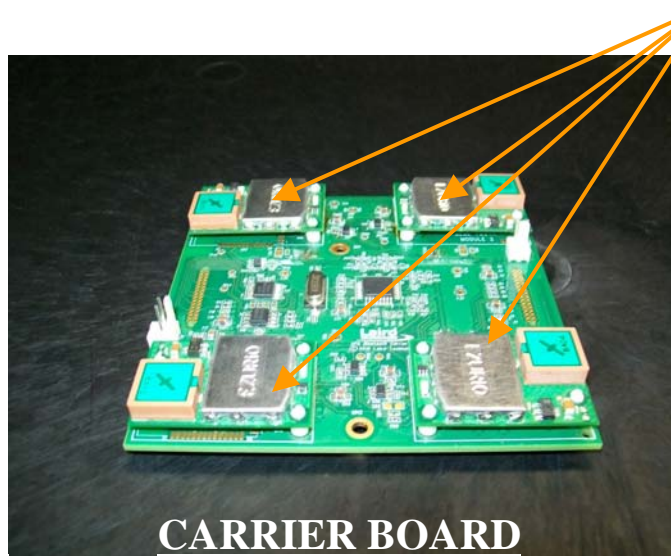


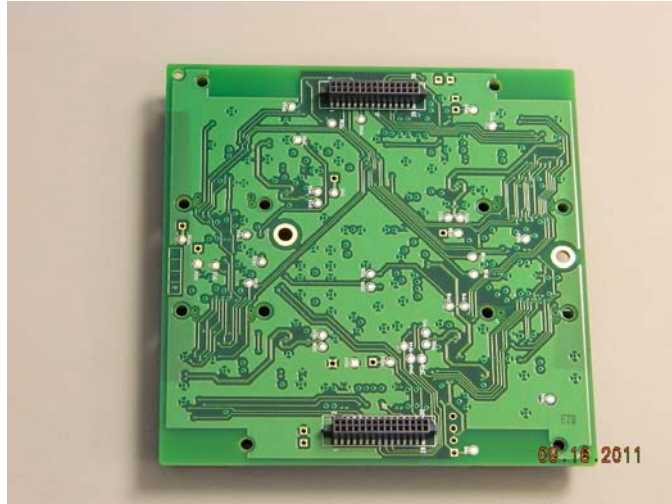
2. Internal Pictures

The following picture shows the APG with the top cover removed, revealing both the *Main Board* and the *Carrier Board*...



The *Carrier Board*, in this example, contains four low power Bluetooth transceivers.



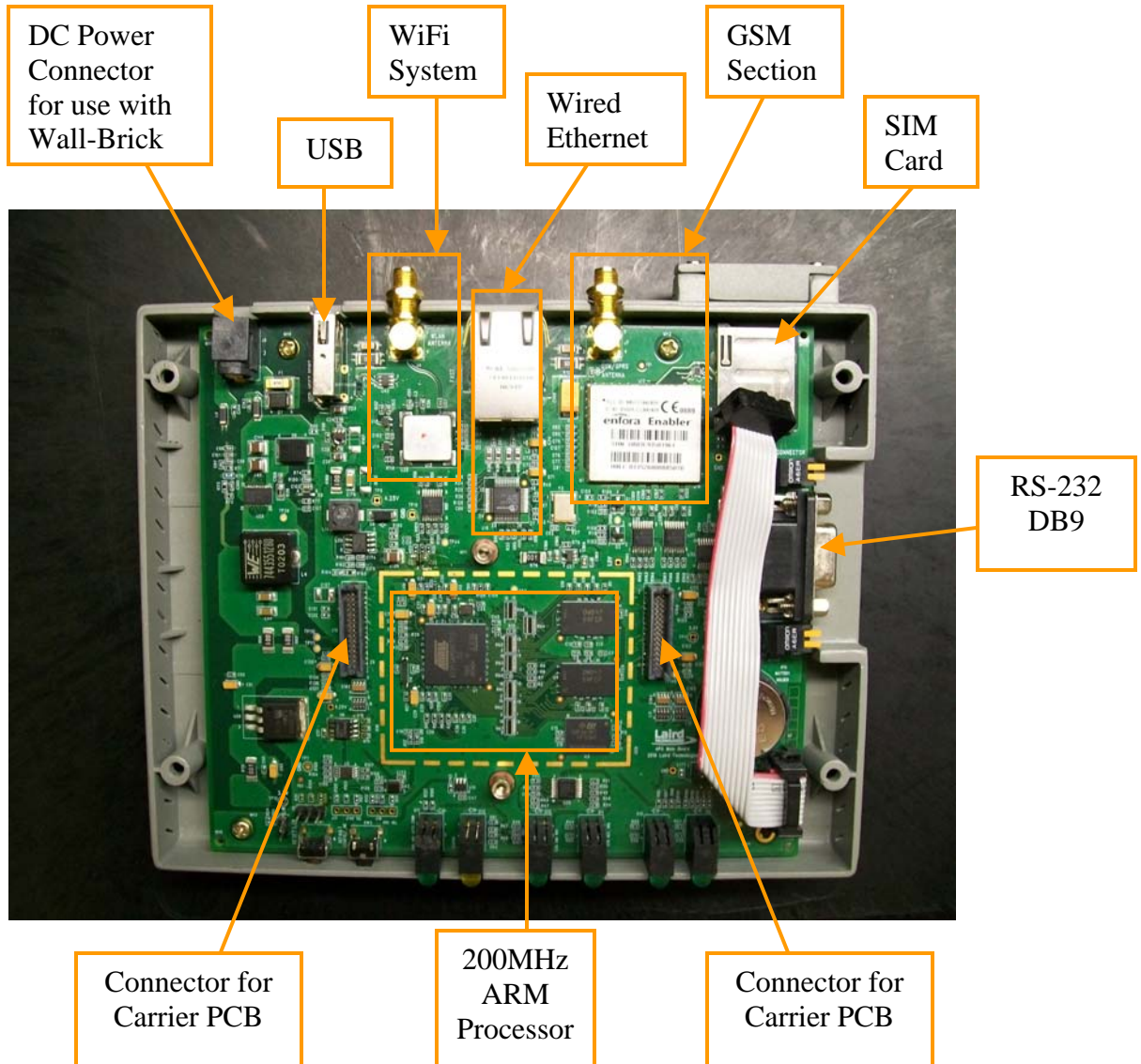


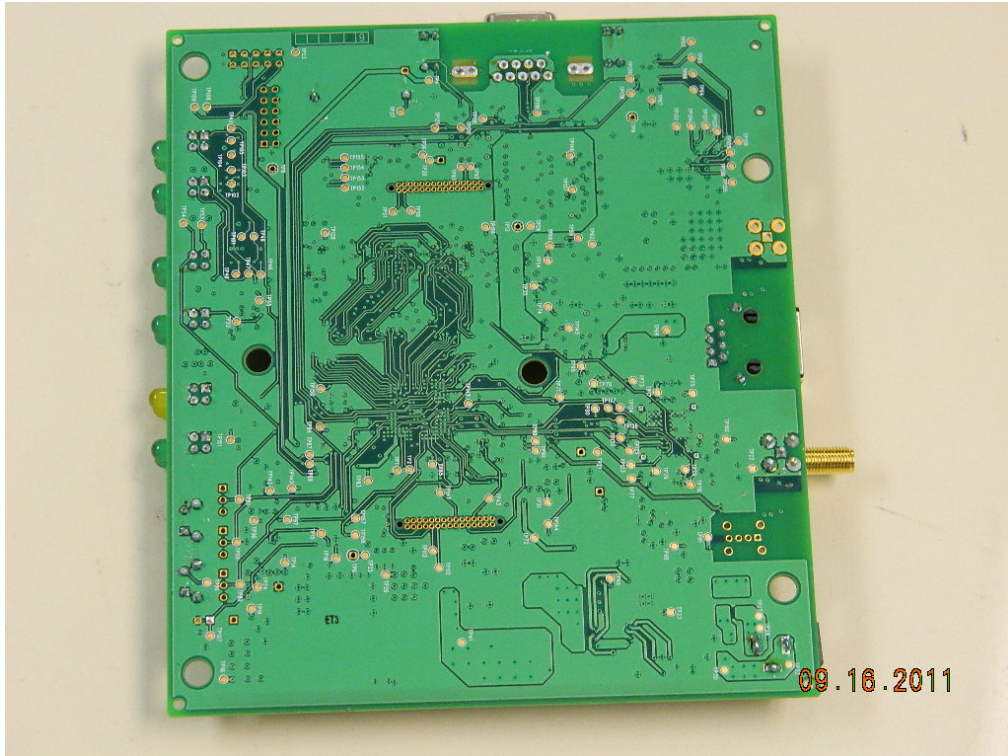
Carrier Board - Bottom

Different flavors of the *Carrier Board* will offer other choices for RF connectivity (see section: “*Carrier Boards*”). Any RF module on a carrier board will have its own regulatory modular approval.

3. Main Board

The Main Board is common to all configurations of the APG, however certain portions of the Main Board may or may not be populated in order to create different configurations. See section “*APG Configurations*” for more information on the differently populated permutations.





Main Board - Bottom