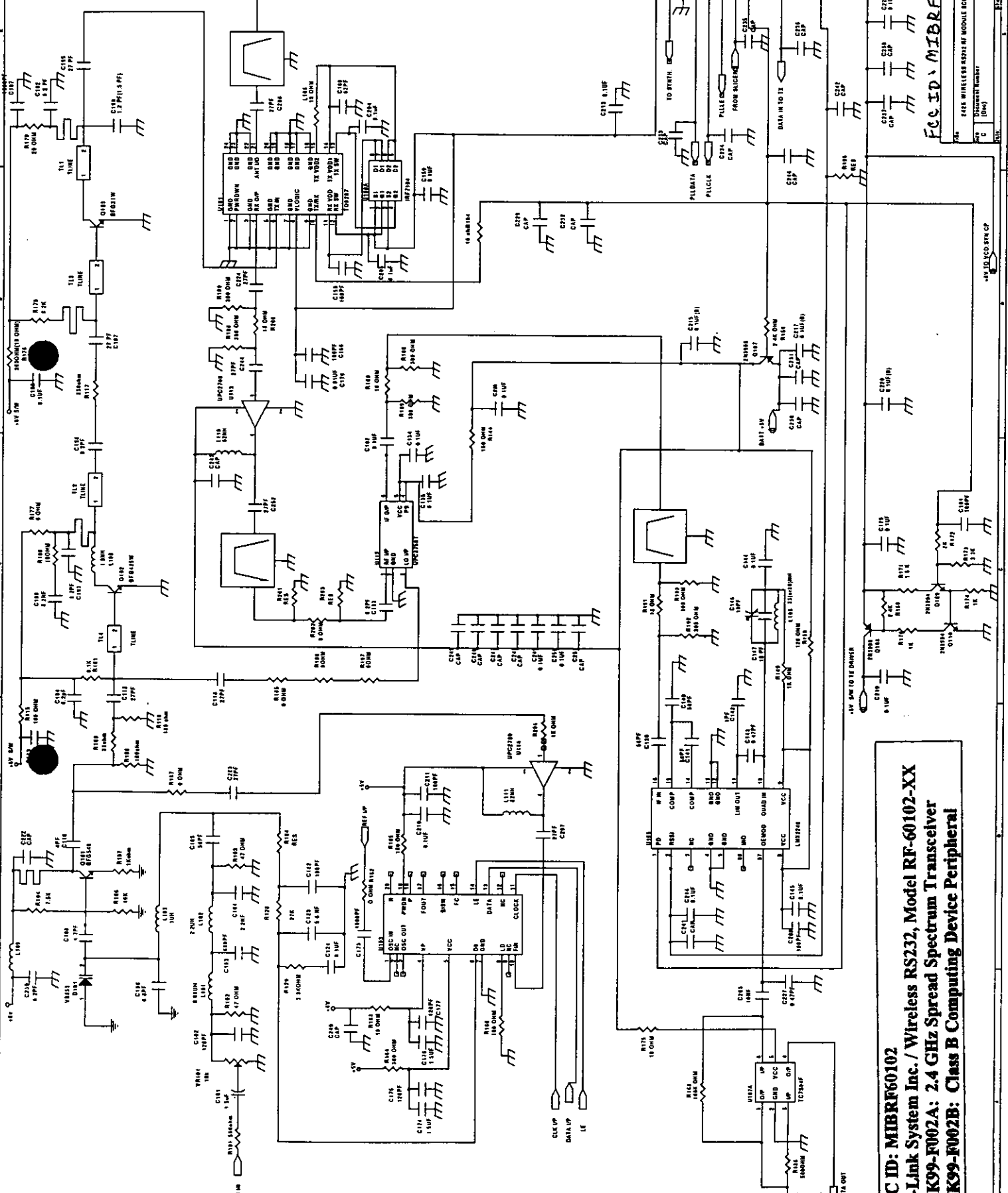


15 CHANNEL  
2.4 GHz



FCC ID: MIBRF60102  
 RF-Link System Inc. / Wireless RS232, Model RF-60102-XX  
 QTK99-F002A: 2.4 GHz Spread Spectrum Transceiver  
 QTK99-F002B: Class B Computing Device Peripheral

FCC ID: MIBRF 60102

FILE: QTK99-F002A: 2.4 GHz Spread Spectrum Transceiver - 4V VERSION  
 SHEET: 1 OF 1  
 DATE: 11/15/98  
 AUTHOR: [REDACTED]

15V SW TO TE DRIVER

15V SW TO TE DRIVER

TO DATA OUT

