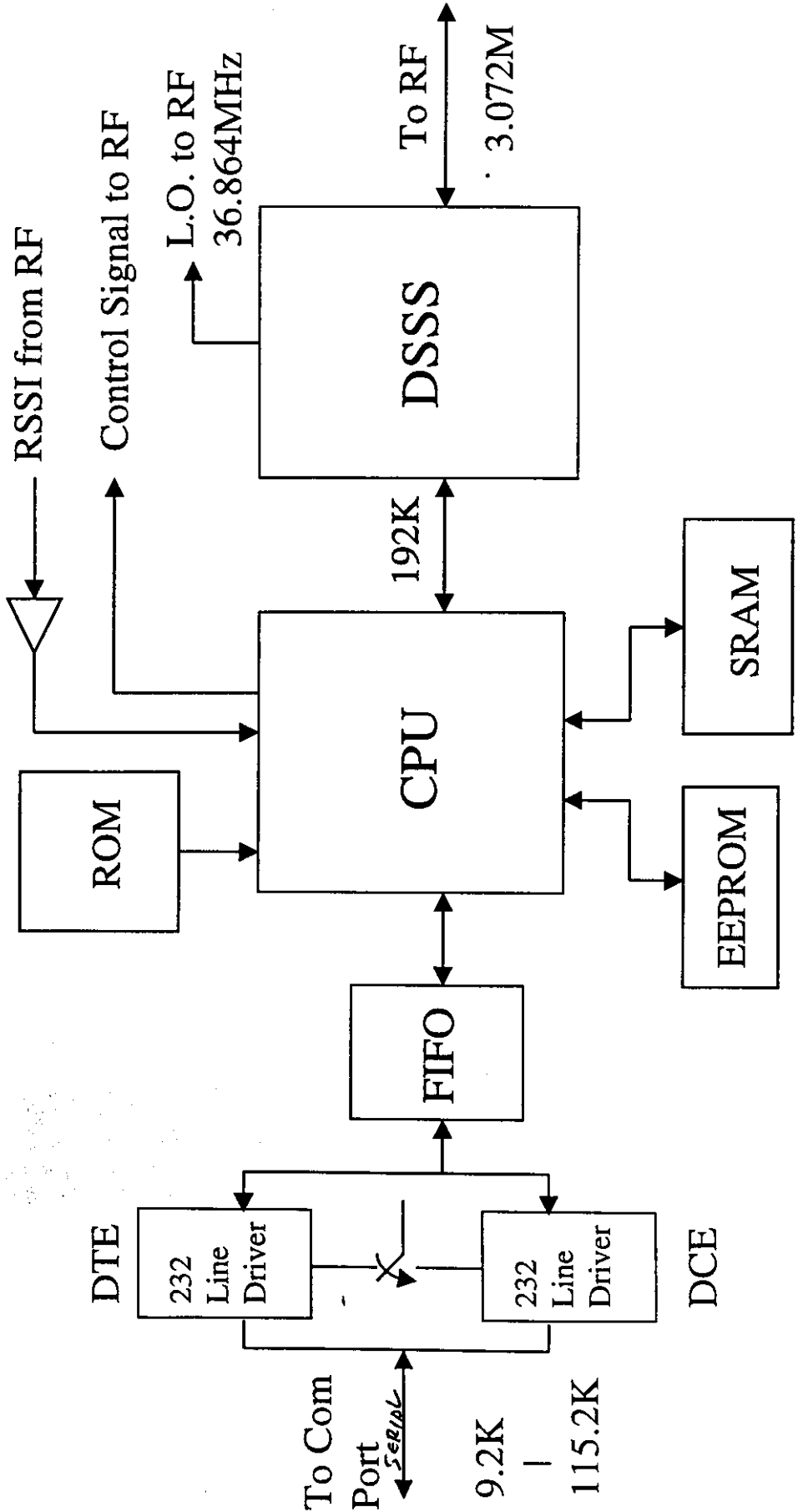


QTK99-F002
 FCC ID: MIBRF60102

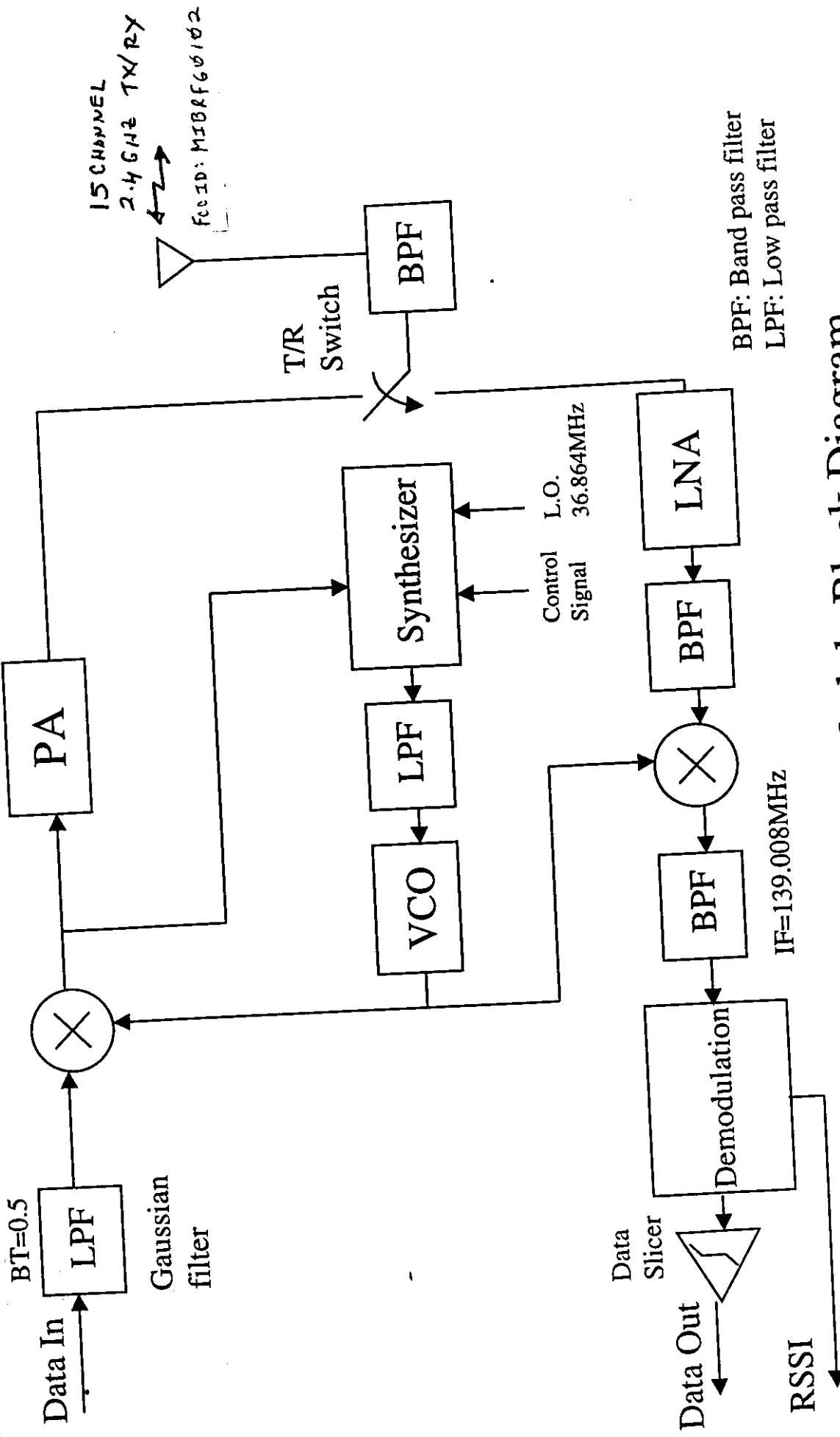
FCC ID: MIBRF60102
 RF-Link System Inc. / Wireless RS232, Model RF-60102-XX
 QTK99-F002A: 2.4 GHz Spread Spectrum Transceiver
 QTK99-F002B: Class B Computing Device Peripheral



2.4GHz WL-RS232 Base Band Block Diagram

FCC ID: MIBRF60102
 RF-Link System Inc./ Wireless RS232, Model RF-60102-XX
 QTK99-F002A: 2.4 GHz Spread Spectrum Transceiver
 QTK99-F002B: Class B Computing Device Peripheral

QTK99-F002
 FCC ID: MIBRF60102



BPF: Band pass filter
 LPF: Low pass filter

2.4GHz WL-RS232 RF Module Block Diagram