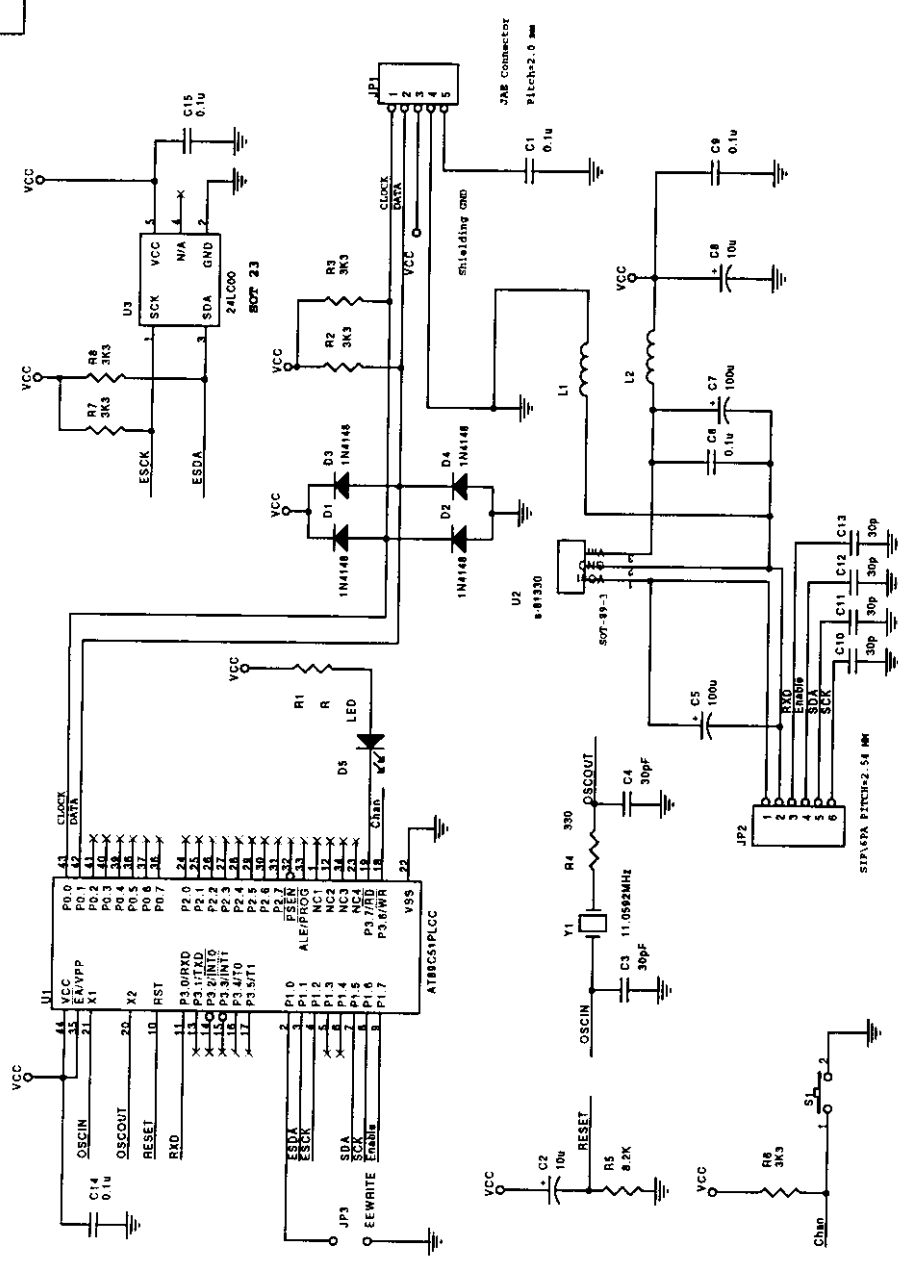


Tx: FACID: MIBRF50201  
 Rx: FACID: MIBRF50202

REVISIONS				
ZONE	REV.	DESCRIPTION	DATE	APPROVED



USED ON		RF-Link SYSTEMS INC. SBIP, HSINCHU, TAIWAN, R.O.C.	
DRAWN	CODE	DWG TITLE	Schematic RF Mouse Receiver
ENGR.	Site	DWG NO.	B
APVD.	Scale	Sheet	of