

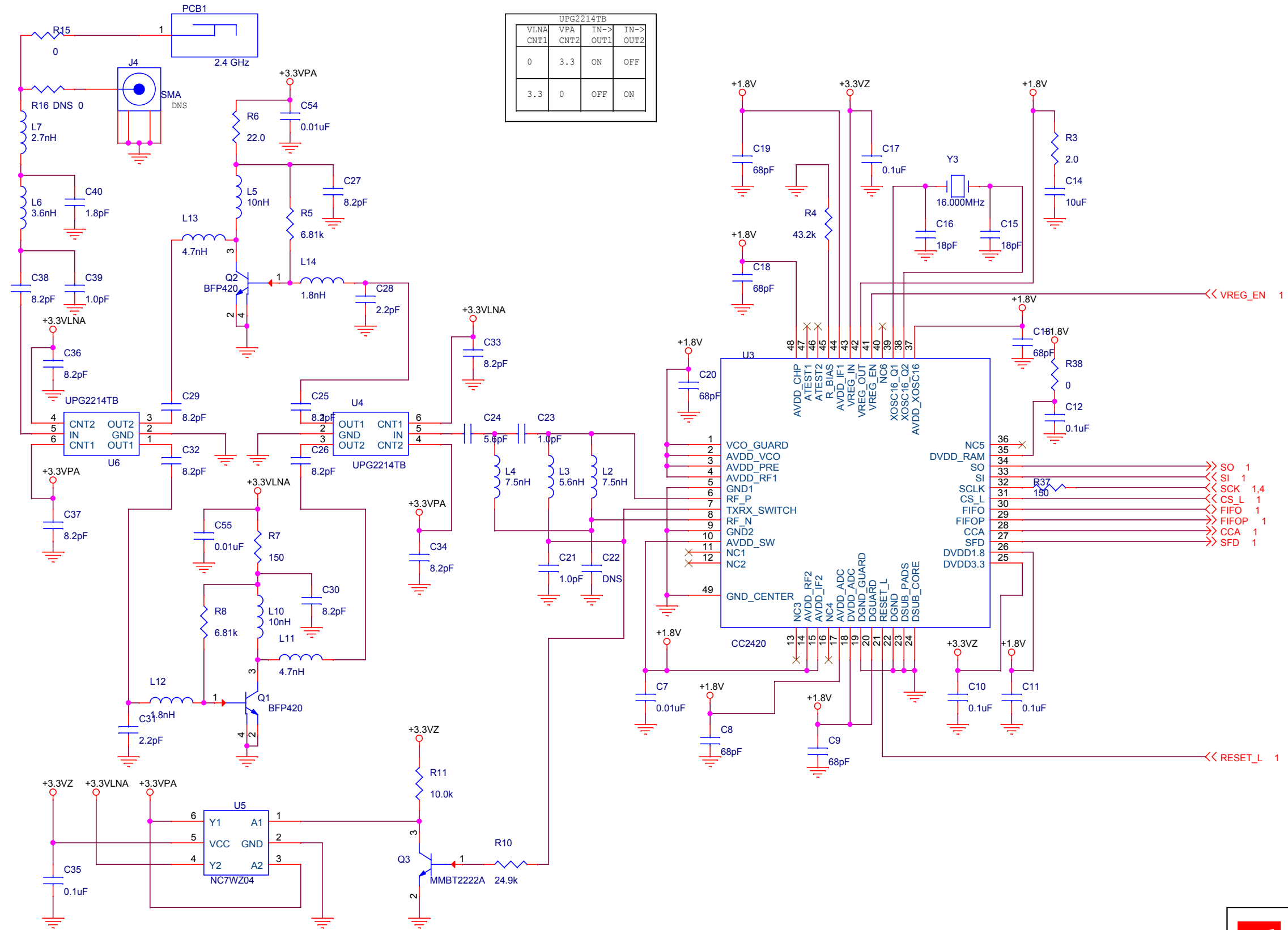

Proprietary

**CardAccess**

Title  
SUB10A-ZP - CPU

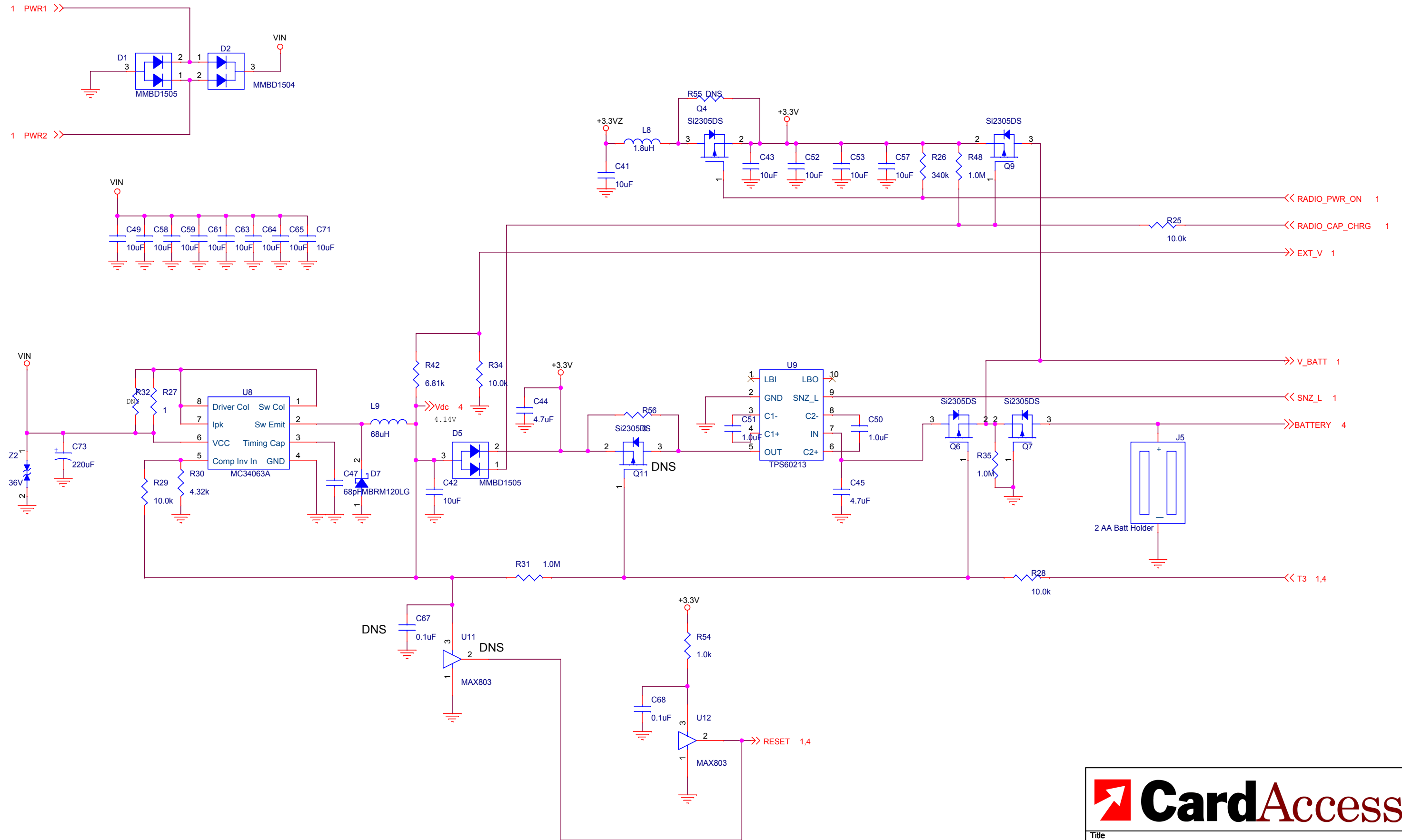
Document Number  
C:\PROJECTS\SUB ZERO\DAUGHTERCARD\SCHEMATIC\SCH-SUB10A-ZP-100.DSN

Date: Wednesday, January 11, 2012 Sheet 1 of 5





**CardAccess**  
 Title  
 SUB10A-ZP - Zigbee Radio  
 Document Number  
 C:\PROJECTS\SUB ZERO\DAUGHTERCARD\SCHEMATIC\SCH-SUB10A-ZP-100.DSN  
 Date: Wednesday, January 11, 2012    Sheet 2 of 5

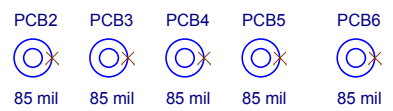
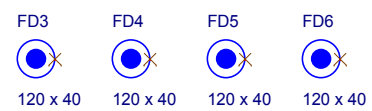
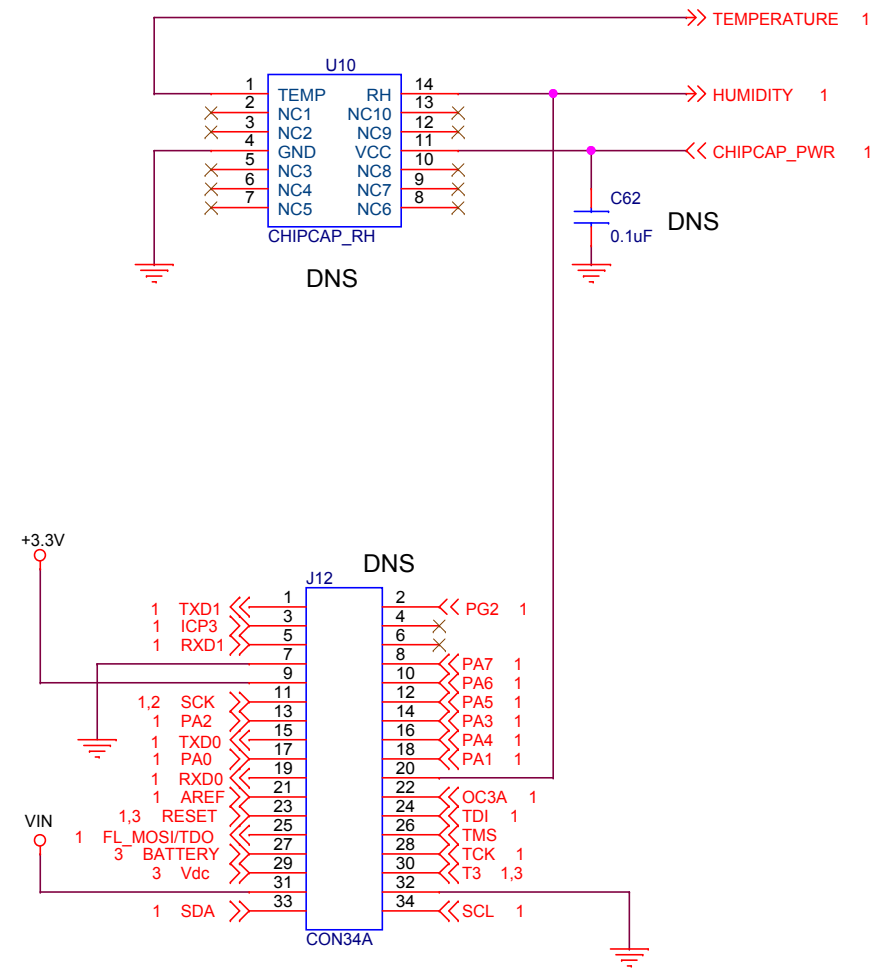
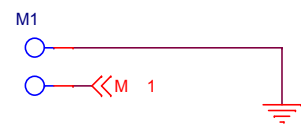
Proprietary



Proprietary



Title  
 SUB10A-ZP - Power Supply  
 Document Number  
 C:\PROJECTS\SUB ZERO\DAUGHTERCARD\SCHEMATIC\SCH-SUB10A-ZP-100.DSN  
 Date: Wednesday, January 11, 2012 | Sheet 3 of 5

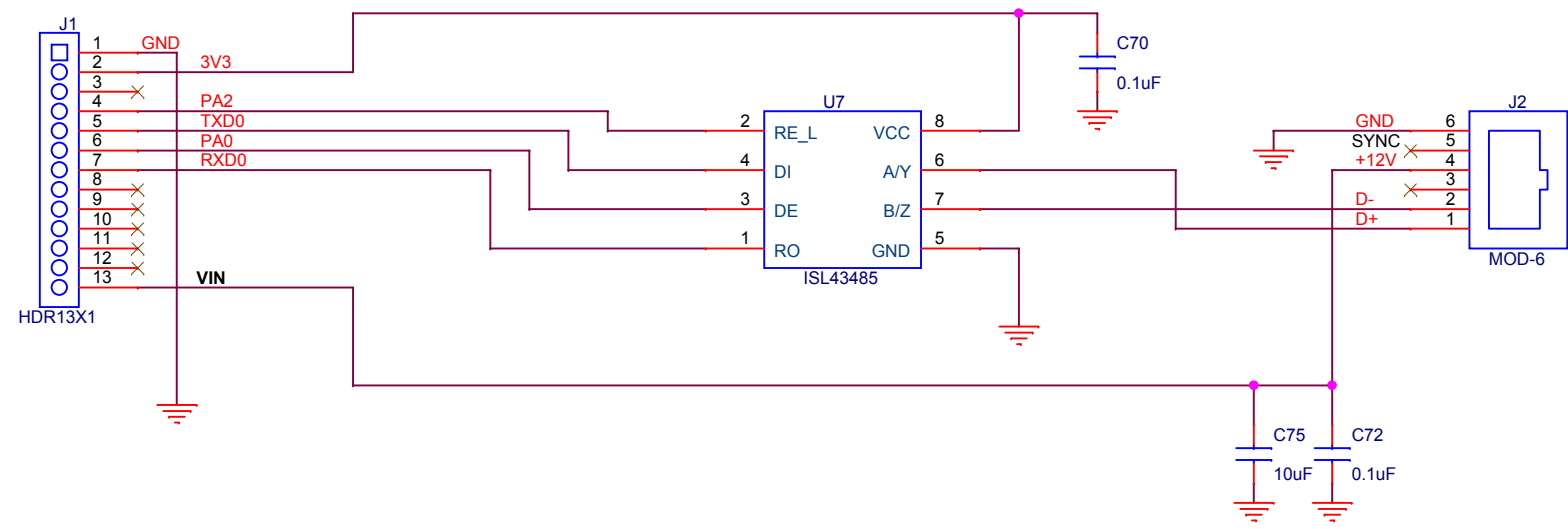


**CardAccess**


Title  
SUB10A-ZP - Misc.

Document Number  
C:\PROJECTS\SUB ZERO\DAUGHTERCARD\SCHEMATIC\SCH-SUB10A-ZP-100.DSN

Date: Wednesday, January 11, 2012 | Sheet 4 of 5



Proprietary

	
Title Daughter Card	
Document Number C:\PROJECTS\SUB ZERO\DAUGHTERCARD\SCHEMATIC\SCH-SUB10A-ZP-100.DSN	
Date: Wednesday, January 11, 2012	Sheet 5 of 5