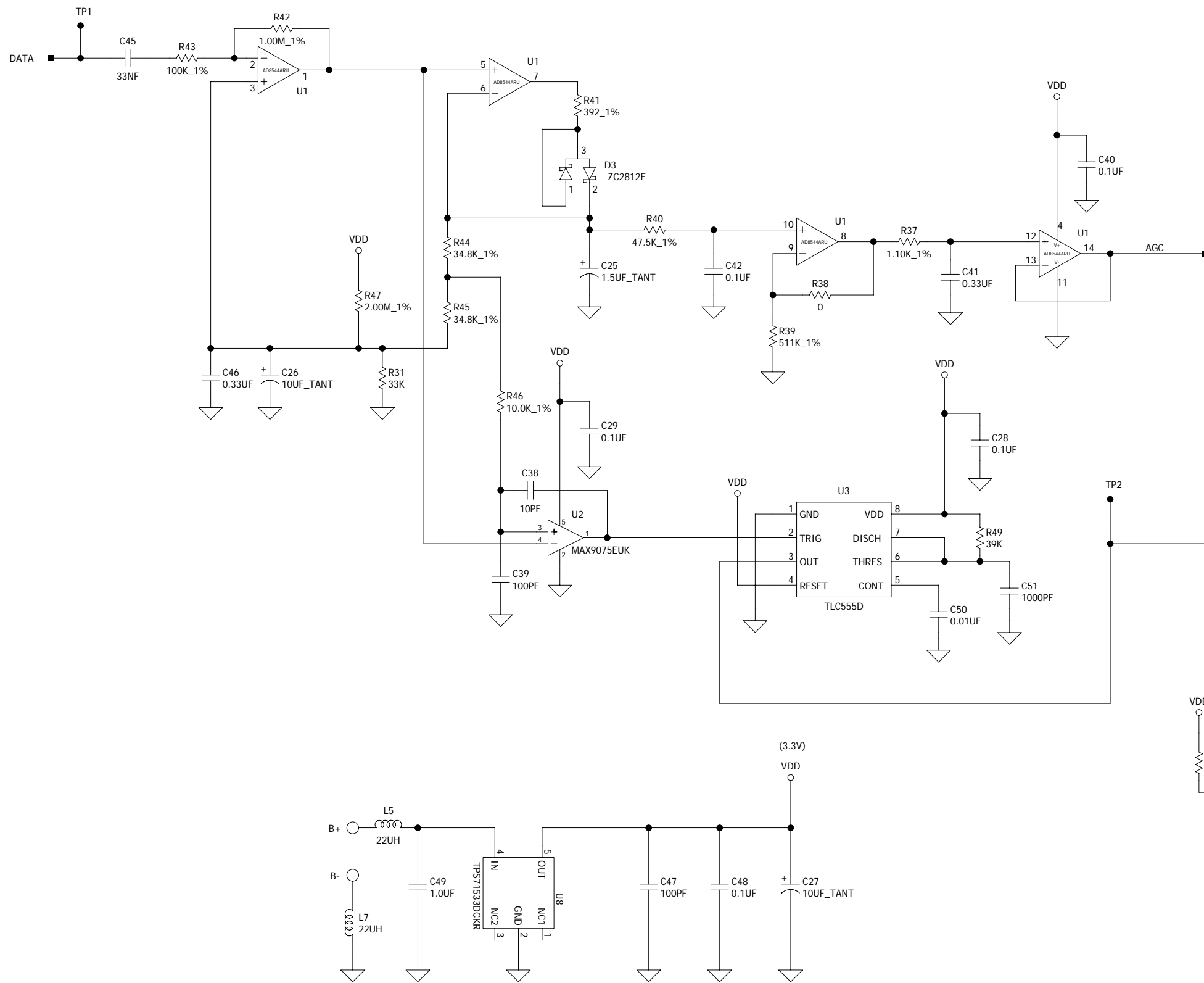


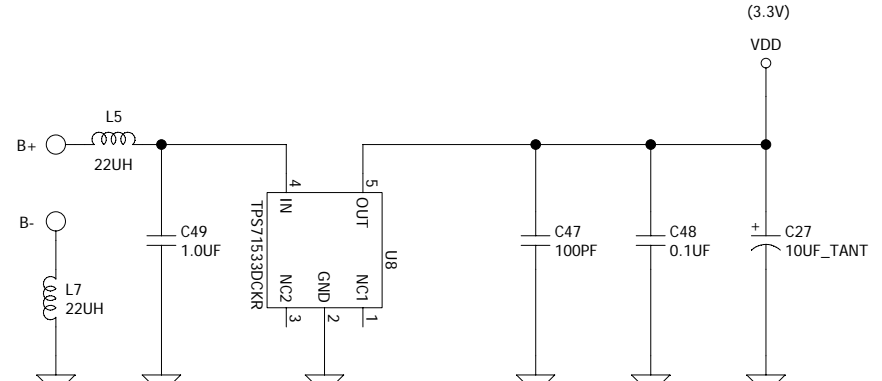
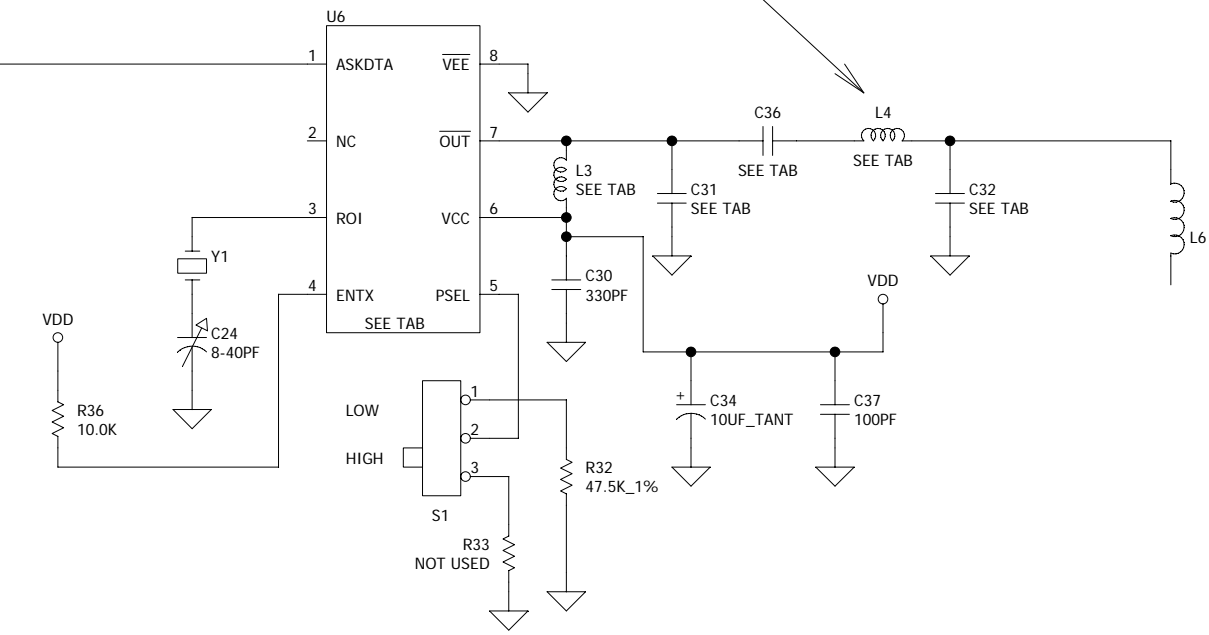
REPEATER, 455KHZ INPUT FREQUENCY

TRANSOMA MEDICAL
 THIS DOCUMENT CONTAINS CONFIDENTIAL INFORMATION AND OTHER SUBJECT MATTER IN WHICH TRANSOMA MEDICAL HAS PROPRIETARY RIGHTS. THIS DOCUMENT DOES NOT GRANT, LICENSE, TRANSFER OR OTHERWISE CONFER ANY RIGHT THERETO, ABSENT WRITTEN CONSENT FROM TRANSOMA MEDICAL.

TRAN SOMA MEDICAL	SIZE D	TITLE 002457	REV 07
	Date	4-19-2006_13:35	Sheet 3 of 4



Component value selected to bring output power level to within FCC emission limits



U6	TH72012	TH72032
C36	82PF	68PF
C32	3.9PF	2.7PF
C31	5.6PF	2.2PF
L4	56NH	22NH
L3	33NH	10NH
OUTPUT FREQ.	433MHZ	916MHZ
PART NUMBER	002457-400	002457-900

REPEATER, 455KHZ INPUT FREQUENCY

TRANSOMA MEDICAL

THIS DOCUMENT CONTAINS CONFIDENTIAL INFORMATION AND OTHER SUBJECT MATTER IN WHICH TRANSOMA MEDICAL HAS PROPRIETARY RIGHTS. THIS DOCUMENT DOES NOT GRANT, LICENSE, TRANSFER OR OTHERWISE CONFER ANY RIGHT THERETO, ABSENT WRITTEN CONSENT FROM TRANSOMA MEDICAL.

TRAN SOMA MEDICAL	SIZE	TITLE	REV
	D	002457	07
Date	4-19-2006_13:36		Sheet 4 of 4