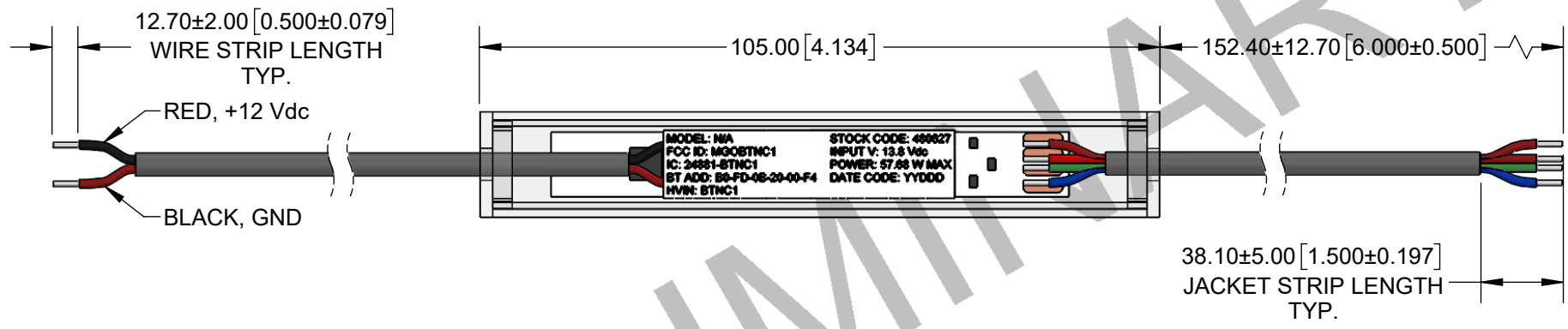


| ITEM NO. | PART NUMBER | DESCRIPTION  | QTY | UNIT |
|----------|-------------|--|-----|------|
| 1        | 453435      | FCC LABEL FOR 445106   | 1   | EA   |
| 2        | 461270      | PCBA RIGID BT CSP IP20 80*10mm 12 VDCM 6.5" LOBE                 | 1   | EA   |
| 3        | 580555      | MOLDED PLASTIC NERIAH END PLUG IP68 WITH HOLE                    | 2   | EA   |
| 4        | 981034      | EXTRUSION PLASTIC CHANNEL NERIAH 9*16mm CLEAR                    | 126 | mm   |
| 5        | 990020      | WIRE 22 AWG 7/30 RGLBLK W/GREY JACKET 1,000FT REEL               | 6.5 | in   |
| 6        | 990029      | WIRE 22/2 AWG 7/30 UL2464/2576 300V 80°C RED/BLACK W/ PVC JACKET | 6.5 | in   |

CHECKED BY: \_\_\_\_\_ DATE: \_\_\_\_\_

WIRE COLOR (FUNCTION):  
 RED (RED GND)  
 GREEN (GREEN GND)  
 BLUE (BLUE GND)  
 BLACK (+12V)



**NOTES**

1. OPERATING VOLTAGE: 11V - 16Vdc
2. TEST VOLTAGE: 13.8Vdc
3. OUTPUT TYPE: LOWSIDE SWITCHED
4. DRIVE CURRENT: 6A MAX
5. POWER: 82.8 W MAX
6. OPERATING TEMPERATURE: -20 TO 60°C
7. IP RATING: IP68 @ 2m FOR 1hr
8. WORKMANSHIP: IPC-A-610 CLASS 2
9. ROHS 2 COMPLIANT
10. UL CATEGORY CODE (CCN):
11. FCC: PART 15B AND 15C
12. ISED:

|  |   |     |           |
|--|---|-----|-----------|
| V02  | UPDATED ASSY LENGTH, WIRE LENGTHS AND BOM | AMT | 7/30/2019 |
| V01  | PRELIMINARY RELEASE                       | SLK | 4/2/2019  |
| REV  | DESCRIPTION                               | BY  | DATE      |
| <small>THIS DRAWING IS PROPRIETARY AND CONFIDENTIAL. IT SHALL NOT BE REPRODUCED, USED, DISCLOSED, MODIFIED, OR REVISED IN ANY MANNER UNLESS EXPLICITLY PERMITTED BY VISTA MANUFACTURING INC. IN WRITING.</small> |   |     |           |
| <small>PRIMARY UNITS: mm [SECONDARY UNITS: INCHES]<br/> TOLERANCE: X = ± 1 mm, 0.X = ± 0.5 mm,<br/> 0.XX = ± 0.10 mm, AND ANGLES ± 1°<br/> UNLESS OTHERWISE SPECIFIED</small>                                    |   |     |           |



|  |                           |                           |
|--|---------------------------|---------------------------|
| TITLE: CONTROLLER RGB 12Vdc 2A/CH IP68 |                           | 1 OF 1                    |
| BT 5*16.3*9.3mm                        |                           |                           |
| DO NOT SCALE                           | BY: SLK<br>DATE: 4/2/2019 | DRAWING NUMBER:<br>480627 |
|  |                           | REV:<br>V01               |