

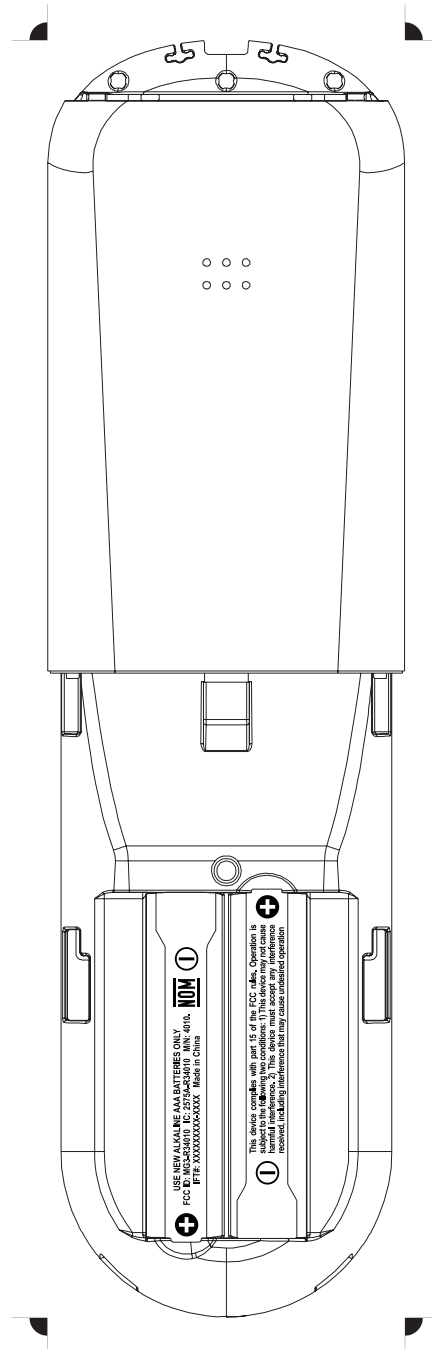
Dimensions: 21.7 x 50.7 mm
Designer: WM
PM/AE: Mike Master
Date: 02/18/2021

CTI/Comcast/PlatCo

Revisions:

Rev. 03, WM
Changed IC to "2575A-R34010"

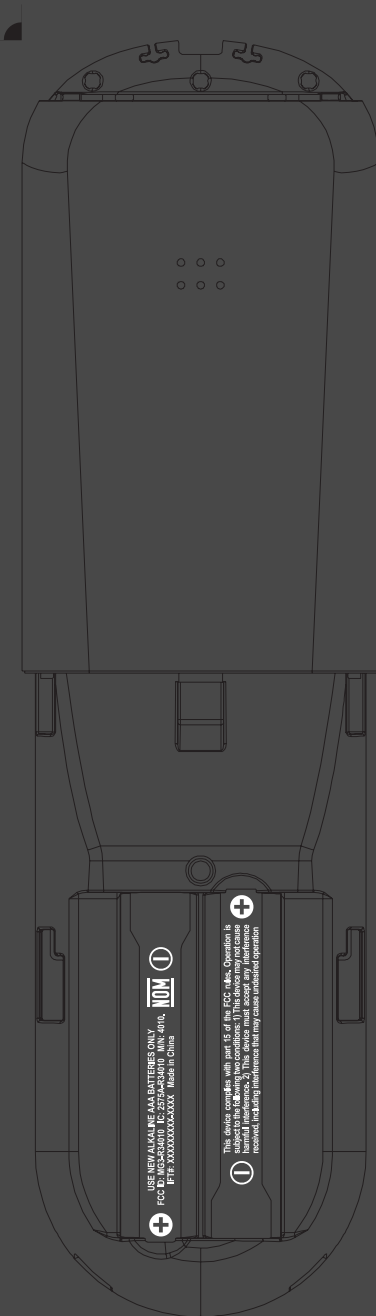
- Label Color**
- Pantone Black C
- Print Color**
- Pure White, Matte Finish



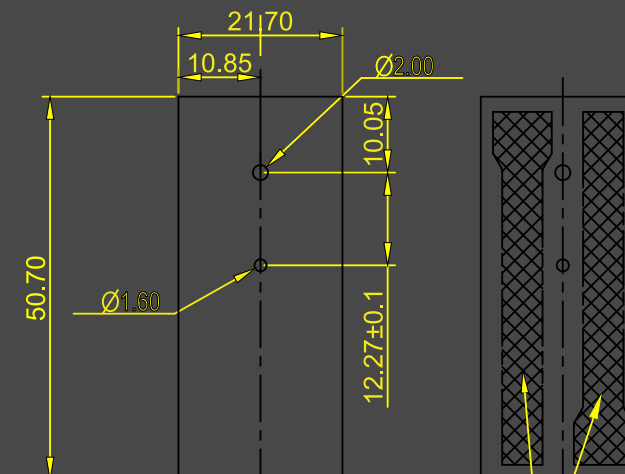
Visible Area
Scale 1:1



Label Artwork
Scale 1:1



Visible Area



Battery Label Dimensions



Battery Label Artwork