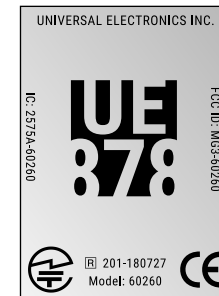
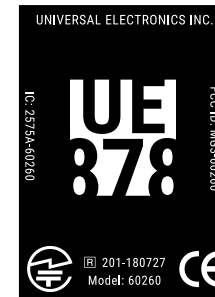
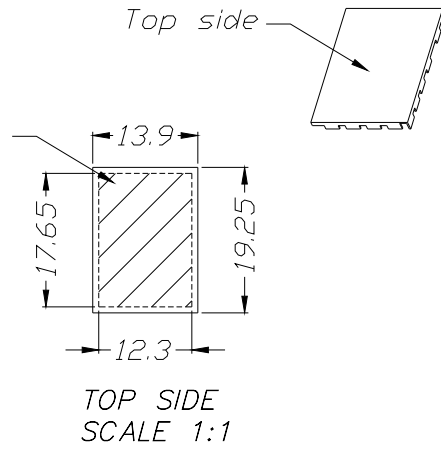


The fill area is the printing area. Please do not exceed this fill area, the side has R



200 %



100 %