

**FCC PART 15 SUBPART B and C
TEST REPORT***for***UEI FUSION PLUS QWERTY KB REMOTE 2012****MODEL: URC-5110BC0-XXX-R**

Prepared for

UNIVERSAL ELECTRONICS, INC.
201 EAST SANDPOINTE AVENUE, 8TH FLOOR
SANTA ANA, CALIFORNIA 92707

Prepared by: _____

KYLE FUJIMOTO

Approved by: _____

JAMES ROSS

COMPATIBLE ELECTRONICS INC.
114 OLINDA DRIVE
BREA, CALIFORNIA 92823
(714) 579-0500

DATE: NOVEMBER 17, 2012

	REPORT BODY	APPENDICES					TOTAL
		A	B	C	D	E	
PAGES	16	2	2	2	13	24	59

This report shall not be reproduced except in full, without the written approval of Compatible Electronics.

TABLE OF CONTENTS

Section / Title	PAGE
GENERAL REPORT SUMMARY	4
SUMMARY OF TEST RESULTS	4
1. PURPOSE	5
2. ADMINISTRATIVE DATA	6
2.1 Location of Testing	6
2.2 Traceability Statement	6
2.3 Cognizant Personnel	6
2.4 Date Test Sample was Received	6
2.5 Disposition of the Test Sample	6
2.6 Abbreviations and Acronyms	6
3. APPLICABLE DOCUMENTS	7
4. DESCRIPTION OF TEST CONFIGURATION	8
4.1 Description of Test Configuration – Emissions	8
4.1.1 Cable Construction and Termination	8
5. LISTS OF EUT, ACCESSORIES AND TEST EQUIPMENT	9
5.1 EUT and Accessory List	9
5.2 Emissions Test Equipment	10
6. TEST SITE DESCRIPTION	11
6.1 Test Facility Description	11
6.2 EUT Mounting, Bonding and Grounding	11
6.3 Facility Environmental Characteristics	11
7. TEST PROCEDURES	12
7.1 RF Emissions	12
7.1.1 Conducted Emissions Test	12
7.1.2 Radiated Emissions (Spurious and Harmonics) Test	13
7.1.3 RF Emissions Test Results	15
8. CONCLUSIONS	16

LIST OF APPENDICES

APPENDIX	TITLE
A	Laboratory Accreditations and Recognitions
B	Modifications to the EUT
C	Additional Models Covered Under This Report
D	Diagram, Charts, and Photos <ul style="list-style-type: none">• Test Setup Diagram• Antenna and Amplifier Factors• Radiated Emissions Photos
E	Data Sheets

LIST OF FIGURES

FIGURE	TITLE
1	Conducted Emissions Test Setup
2	Plot Map And Layout of Radiated Test Site

GENERAL REPORT SUMMARY

Compatible Electronics Inc. generates this electromagnetic emission test report, which is an independent testing and consulting firm. The test report is based on testing performed by Compatible Electronics personnel according to the measurement procedures described in the test specifications given below and in the "Test Procedures" section of this report.

The measurement data and conclusions appearing herein relate only to the sample tested and this report may not be reproduced without the written permission of Compatible Electronics, unless done so in full.

This report must not be used to claim product endorsement by NVLAP, NIST or any other agency of the U.S. Government.

Device Tested: UEI Fusion Plus QWERTY KB Remote 2012
Model: URC-5110BC0-XXX-R
S/N: N/A

Product Description: See Expository Statement

Modifications: The EUT was not modified in order to meet the specifications.

Customer: Universal Electronics, Inc.
201 East Sandpointe Avenue, 8th Floor
Santa Ana, California 92707

Manufacturer: Gemstar Technology Company, Ltd.
Gemstar Industrial Park,
Shi Guang Road Number 45
Zhongcun Town, Panyu
Guangdong Province, China

Test Date(s): October 25, 2012 and November 9, 2012

Test Specifications: Emissions requirements
CFR Title 47, Part 15, Subpart B and Subpart C, Sections 15.205, 15.209, and 15.249

Test Procedure: ANSI C63.4

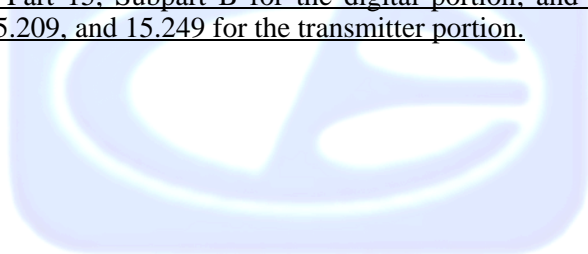
Test Deviations: The test procedure was not deviated from during the testing.

SUMMARY OF TEST RESULTS

TEST	DESCRIPTION	RESULTS
1	Conducted RF Emissions 150 kHz to 30 MHz	This test was not performed because the EUT operates on battery power.
2	Radiated RF Emissions 10 kHz to 25000 MHz (Transmitter and Digital Portion)	Complies with the Class B limits of CFR Title 47, Part 15, Subpart B; and Subpart C, sections 15.205, 15.209, and 15.249.

1. PURPOSE

This document is a qualification test report based on the emissions tests performed on the UEI Fusion Plus QWERTY KB Remote 2012, Model: URC-5110BC0-XXX-R (EUT). The Emissions measurements were performed according to the measurement procedure described in ANSI C63.4. The tests were performed in order to determine whether the electromagnetic emissions from the equipment under test, referred to as EUT hereafter, are within the Class B specification limits defined by CFR Title 47, Part 15, Subpart B for the digital portion; and the limits defined in Subpart C, sections 15.205, 15.209, and 15.249 for the transmitter portion.



2. ADMINISTRATIVE DATA

2.1 Location of Testing

The Emissions tests described herein were performed at the test facility of Compatible Electronics, 114 Olinda Drive, Brea, California.

2.2 Traceability Statement

The calibration certificates of all test equipment used during the test are on file at the location of the test. The calibration is traceable to the National Institute of Standards and Technology (NIST).

2.3 Cognizant Personnel

Universal Electronics, Inc.

Jesse Mendez Senior Electrical Core Engineer

Compatible Electronics Inc.

Kyle Fujimoto Test Engineer

James Ross Test Engineer

2.4 Date Test Sample was Received

The test sample was received October 25, 2012.

2.5 Disposition of the Test Sample

The test sample has not been returned to Universal Electronics, Inc. as of the date of the test report.

2.6 Abbreviations and Acronyms

The following abbreviations and acronyms may be used in this document.

FCC	Federal Communications Commission
RF	Radio Frequency
EMI	Electromagnetic Interference
EUT	Equipment Under Test
P/N	Part Number
S/N	Serial Number
ITE	Information Technology Equipment
LISN	Line Impedance Stabilization Network
NVLAP	National Voluntary Laboratory Accreditation Program
CFR	Code of Federal Regulations
N/A	Not Applicable
Ltd.	Limited
Inc.	Incorporated
NCR	No Calibration Required

3. APPLICABLE DOCUMENTS

The following documents are referenced or used in the preparation of this Emissions Test Report.

SPEC	TITLE
CFR Title 47, Part 15	FCC Rules – Radio frequency devices (including digital devices)
ANSI C63.4: 2009	American National Standard for Methods of Measurement of Radio-Noise Emissions from Low-Voltage Electrical and Electronic Equipment in the Range of 9 kHz to 40 GHz

4. DESCRIPTION OF TEST CONFIGURATION

4.1 Description of Test Configuration – Emissions

The UEI Fusion Plus QWERTY KB Remote 2012, Model: URC-5110BC0-XXX-R (EUT) was tested as a stand alone unit. The EUT had a special test program that allowed the low, middle, or high channels, to be tested by preselecting the channel to be tested. The EUT was tested in three orthogonal axis.

It was determined that the emissions were at their highest level when the EUT was operating in the above configuration. The final emissions data was taken in this mode of operation and any cables were maximized. All initial investigations were performed with the measurement receiver in manual mode scanning the frequency range continuously. Photographs of the test setup are in Appendix D of this report.

4.1.1 Cable Construction and Termination

There were no external cables connected to the EUT.

5. LISTS OF EUT, ACCESSORIES AND TEST EQUIPMENT**5.1 EUT and Accessory List**

EQUIPMENT	MANUFACTURER	MODEL NUMBER	SERIAL NUMBER	FCC ID
UEI FUSION PLUS QWERTY KB REMOTE 2012	UNIVERSAL ELECTRONICS, INC.	URC-5110BC0-XXX-R	N/A	MG3-5110

5.2 Emissions Test Equipment

EQUIPMENT TYPE	MANUFACTURER	MODEL NUMBER	SERIAL NUMBER	CALIBRATION DATE	CALIBRATION DUE DATE
RF RADIATED EMISSIONS TEST EQUIPMENT					
Computer	Hewlett Packard	4530	US91912319	N/A	N/A
Spectrum Analyzer – Main Section	Hewlett Packard	8568B	2517A01563	May 30, 2012	May 30, 2013
Spectrum Analyzer – Display Section	Hewlett Packard	85662A	2648A15285	May 30, 2012	May 30, 2013
Quasi-Peak Adapter	Hewlett Packard	85650A	2430A00424	May 30, 2012	May 30, 2013
EMI Receiver	Rohde & Schwarz	ESIB40	100194	November 19, 2010	November 19, 2012
Monitor	Hewlett Packard	D5258A	TW74500641	N/A	N/A
Loop Antenna	Com-Power	AL-130	17089	January 21, 2011	January 21, 2013
Biconical Antenna	Com Power	AB-900	43028	May 24, 2012	May 24, 2013
Log Periodic Antenna	Com Power	AL-100	16252	May 24, 2012	May 24, 2013
Horn Antenna	Com-Power	AH-118	071175	February 29, 2012	March 1, 2014
Horn Antenna	Com-Power	AH826	0071957	N/A	N/A
Preamplifier	Com-Power	PA-102	1017	December 28, 2011	December 28, 2012
Microwave Preamplifier	Com-Power	PA-118	181656	December 28, 2011	December 28, 2012
Microwave Preamplifier	Com-Power	PA-840	711919	March 11, 2010	March 11, 2013
Antenna Mast	Com Power	AM-100	N/A	N/A	N/A

6. TEST SITE DESCRIPTION**6.1 Test Facility Description**

Please refer to section 2.1 and 7.1.2 of this report for Emissions test location.

6.2 EUT Mounting, Bonding and Grounding

The EUT was mounted on a 1.0 by 1.5 meter non-conductive table 0.8 meters above the ground plane.

The EUT was not grounded.

6.3 Facility Environmental Characteristics

When applicable refer to the data sheets in Appendix E for the relative humidity, air temperature, and barometric pressure.

7. TEST PROCEDURES

The following sections describe the test methods and the specifications for the tests. Test results are also included in this section.

7.1 RF Emissions

7.1.1 Conducted Emissions Test

The measurement receiver was used as a measuring meter. The data was collected with the measurement receiver in the peak detect mode with the "Max Hold" feature activated. The quasi-peak was used only where indicated in the data sheets. A transient limiter was used for the protection of the measurement receiver's input stage, and the offset was adjusted accordingly to read the actual data measured. The LISN output was measured using the measurement receiver. The output of the second LISN was terminated by a 50-ohm termination. The effective measurement bandwidth used for this test was 9 kHz.

Please see section 6.2 of this report for mounting, bonding and grounding of the EUT. The EUT was powered through the LISN, which was bonded to the ground plane. The LISN power was filtered and the filter was bonded to the ground plane. The EUT was set up with the minimum distances from any conductive surfaces as specified in ANSI C63.4. The excess power cord was wrapped in a figure eight pattern to form a bundle not exceeding 0.4 meters in length.

The conducted emissions from the EUT were maximized for operating mode as well as cable placement. The final data was collected under program control by the Compatible Electronics conducted emissions software in several overlapping sweeps by running the spectrum analyzer at a minimum scan rate of 10 seconds per octave. The final qualification data is located in Appendix E.

Test Results:

This test was not performed because the EUT operates on battery power.

7.1.2 Radiated Emissions (Spurious and Harmonics) Test

The spectrum analyzer, along with the quasi-peak adapter, and EMI Receiver were used as a measuring meter. Amplifiers were used to increase the sensitivity of the instrument. The Com-Power Preamplifier Model: PA-102 was used for frequencies from 30 MHz to 1 GHz, the Com-Power Microwave Preamplifier Model: PA-118 was used for frequencies from 1 GHz to 18 GHz, and the Com-Power Microwave Preamplifier Model: PA-840 were used for frequencies above 18 GHz. The spectrum analyzer and EMI Receiver were used in the peak detect mode with the "Max Hold" feature activated. In this mode, the spectrum analyzer and EMI receiver records the highest measured reading over the sweeps.

The quasi-peak function was used only for those readings which are marked accordingly on the data sheets.

The frequencies above 1 GHz were adjusted by a "duty cycle correction factor", derived from $20 \log(\text{dwell time} / 100 \text{ mS})$.

The measurement bandwidths and transducers used for the radiated emissions test were:

FREQUENCY RANGE	EFFECTIVE MEASUREMENT BANDWIDTH	TRANSDUCER
10 kHz to 150 kHz	200 Hz	Active Loop Antenna
150 kHz to 30 MHz	9 kHz	Active Loop Antenna
30 MHz to 300 MHz	120 kHz	Biconical Antenna
300 MHz to 1 GHz	120 kHz	Log Periodic Antenna
1 GHz to 25 GHz	1 MHz	Horn Antennas

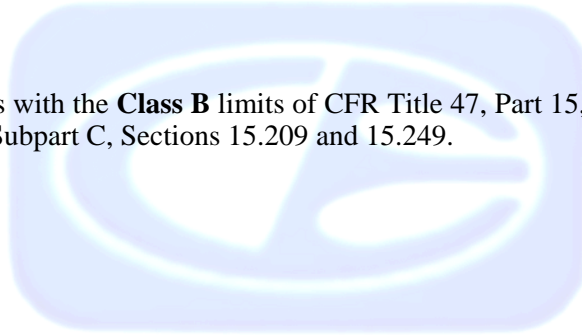
The open field test site of Compatible Electronics, Inc. was used for radiated emission testing. This test site is set up according to ANSI C63.4. Please see section 6.2 of this report for mounting, bonding and grounding of the EUT. The turntable supporting the EUT is remote controlled using a motor. The turntable permits EUT rotation of 360 degrees in order to maximize emissions. Also, the antenna mast allows height variation of the antenna from 1 meter to 4 meters. Data was collected in the worst case (highest emission) configuration of the EUT by the Radiated Emission Manual Test software. At each reading, the EUT was rotated 360 degrees and the antenna height was varied from 1 to 4 meters (for E field radiated field strength). The gun sight method was used when measuring with the horn antenna in order to ensure accurate results. The loop antenna was also rotated in the vertical axis in order to ensure accurate results.

Radiated Emissions (Spurious and Harmonics) Test (continued)

The presence of ambient signals was verified by turning the EUT off. In case an ambient signal was detected, the measurement bandwidth was reduced temporarily and verification was made that an additional adjacent peak did not exist. This ensures that the ambient signal does not hide any emissions from the EUT. The EUT was tested at a 3-meter test distance from 30 MHz to 25 GHz and at a 10-meter distance from 10 kHz to 30 MHz to obtain the final test data.

Test Results:

The EUT complies with the **Class B** limits of CFR Title 47, Part 15, Subpart B; and the limits of CFR Title 47, Part 15, Subpart C, Sections 15.209 and 15.249.



7.1.3 RF Emissions Test Results

Table 1.0 RADIATED EMISSION RESULTS
 UEI Fusion Plus QWERTY KB Remote 2012, Model: URC-5110BC0-XXX-R

Frequency MHz	Corrected Reading* dBuV	Specification Limit dBuV	Delta (Cor. Reading – Spec. Limit) dB
7275 (V) (X-Axis)	44.01 (A)	54.00	-9.99
7275 (H) (Y-Axis)	43.87 (A)	54.00	-10.13
7275 (H) (Z-Axis)	43.68 (A)	54.00	-10.32
7275 (V) (Y-Axis)	42.33 (A)	54.00	-11.67
7275 (H) (X-Axis)	41.42 (A)	54.00	-12.58
7275 (V) (Z-Axis)	41.25 (A)	54.00	-12.75

Notes:

- * The complete emissions data is given in Appendix E of this report.
- A** Average Reading
- V** Vertical
- H** Horizontal

8. CONCLUSIONS

The UEI Fusion Plus QWERTY KB Remote 2012, Model: URC-5110BC0-XXX-R (EUT), as tested, meets all of the Class B specification limits defined in CFR Title 47, Part 15, Subpart B for the digital portion; and the limits defined in Subpart C, sections 15.205, 15.209, and 15.249 for the transmitter portion.





APPENDIX A

LABORATORY ACCREDITATIONS AND RECOGNITIONS

Brea Division
114 Olinda Drive
Brea, CA 92823
(714) 579-0500

Agoura Division
2337 Troutdale Drive
Agoura, CA 91301
(818) 597-0600

Silverado Division
19121 El Toro Road
Silverado, CA 92676
(949) 589-0700

Lake Forest Division
20621 Pascal Way
Lake Forest, CA 92630
(949) 587-0400

LABORATORY ACCREDITATIONS AND RECOGNITIONS

NVLAP LAB CODES 200063-0,
200528-0, 200527-0

For US, Canada, Australia/New Zealand, Japan, Taiwan, Korea, and the European Union, Compatible Electronics is currently accredited by NVLAP to ISO/IEC 17025. Please follow the link to the NIST/NVLAP site for each of our facilities' NVLAP certificate and scope of accreditation

NVLAP listing links

[Agoura Division](#) / [Brea Division](#) / [Silverado/Lake Forest Division](#)

.Quote from ISO-ILAC-IAF Communiqué on 17025:

"A laboratory's fulfillment of the requirements of ISO/IEC 17025:2005 means the laboratory meets both the technical competence requirements and management system requirements that are necessary for it to consistently deliver technically valid test results and calibrations. The management system requirements in ISO/IEC 17025:2005 (Section 4) are written in language relevant to laboratory operations and meet the principles of ISO 9001:2008 Quality Management Systems — Requirements."



ANSI listing [CETCB](#)



Compatible Electronics has been nominated as a Conformity Assessment Body (CAB) for EMC under the US/EU Mutual Recognition Agreement (MRA).

US/EU MRA list [NIST MRA site](#)



Compatible Electronics has been nominated as a Conformity Assessment Body (CAB) for Taiwan/BSMI under the US/APEC (Asia-Pacific Economic Cooperation) Mutual Recognition Agreement (MRA).

APEC MRA list [NIST MRA site](#)

We are also listed for IT products by the following country/agency:



VCCI Support member: Please visit http://www.vcci.jp/vcci_e/



FCC Listing, from FCC OET site

[FCC test lab search](#) <https://fjallfoss.fcc.gov/oetcf/eas/reports/TestFirmSearch.cfm>



Compatible Electronics IC listing can be found at:

<http://www.ic.gc.ca/eic/site/ic1.nsf/eng/home>

Brea Division
114 Olinda Drive
Brea, CA 92823
(714) 579-0500

Agoura Division
2337 Troutdale Drive
Agoura, CA 91301
(818) 597-0600

Silverado Division
19121 El Toro Road
Silverado, CA 92676
(949) 589-0700

Lake Forest Division
20621 Pascal Way
Lake Forest, CA 92630
(949) 587-0400



APPENDIX B

MODIFICATIONS TO THE EUT

MODIFICATIONS TO THE EUT

The modifications listed below were made to the EUT to pass FCC 15.249 and/or FCC **Class B** specifications.

All the rework described below was implemented during the test in a method that could be reproduced in all the units by the manufacturer.

No modifications were made to the EUT during the testing.





APPENDIX C

***ADDITIONAL MODELS COVERED
UNDER THIS REPORT***

Brea Division
114 Olinda Drive
Brea, CA 92823
(714) 579-0500

Agoura Division
2337 Troutdale Drive
Agoura, CA 91301
(818) 597-0600

Silverado Division
19121 El Toro Road
Silverado, CA 92676
(949) 589-0700

Lake Forest Division
20621 Pascal Way
Lake Forest, CA 92630
(949) 587-0400

ADDITIONAL MODELS COVERED UNDER THIS REPORT

USED FOR THE PRIMARY TEST

UEI Fusion Plus QWERTY KB Remote 2012
Model: URC-5110BC0-XXX-R
S/N: N/A

ALSO APPROVED UNDER THIS REPORT:

There were no additional models covered under this report.



APPENDIX D

DIAGRAMS, CHARTS, AND PHOTOS

FIGURE 1: CONDUCTED EMISSIONS TEST SETUP

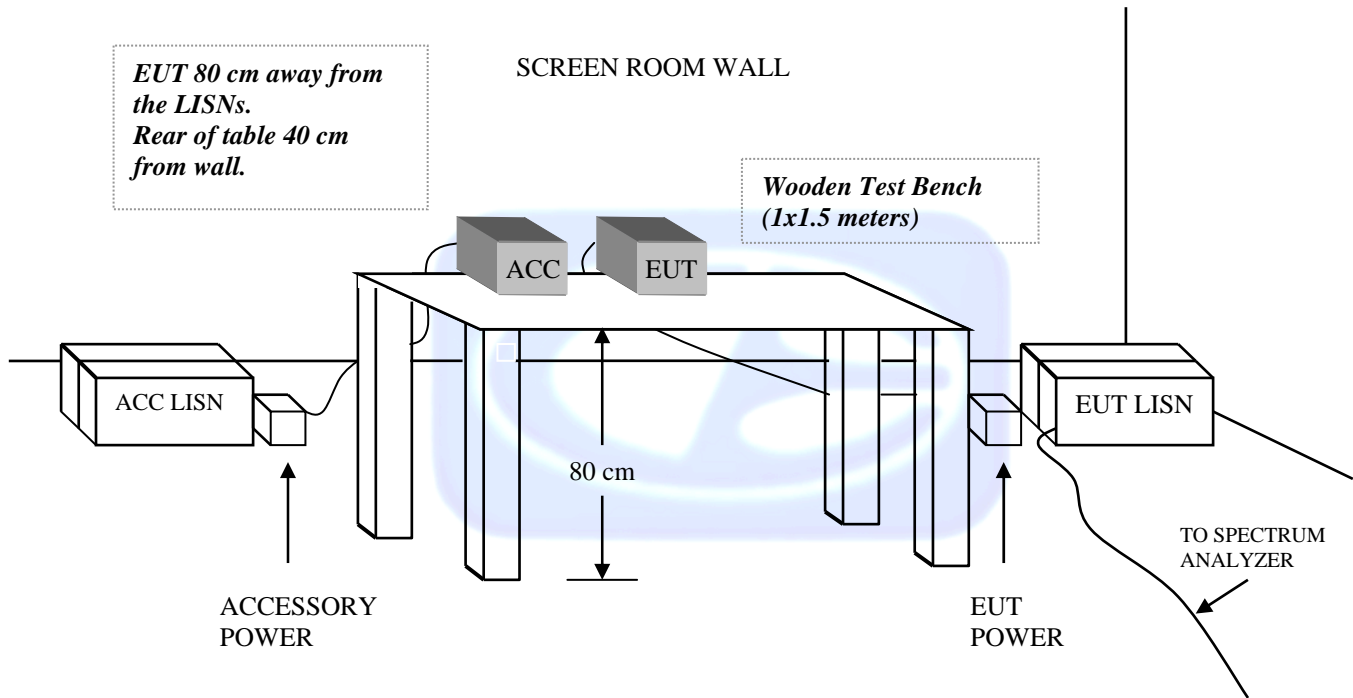
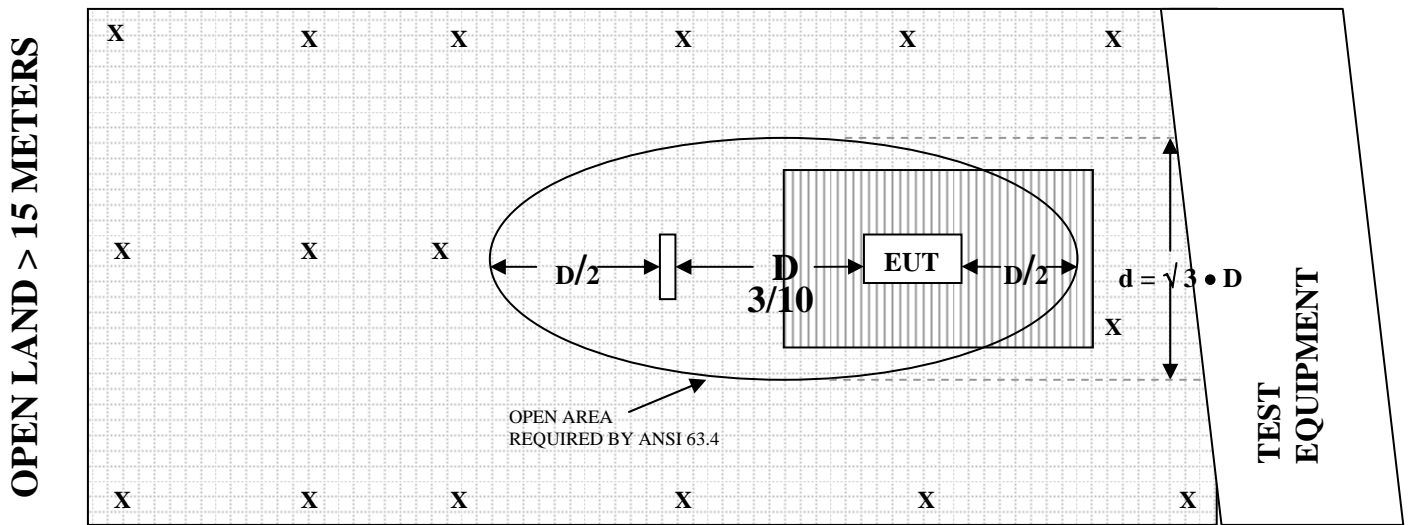


FIGURE 2: PLOT MAP AND LAYOUT OF THE RADIATED TEST SITE

OPEN LAND > 15 METERS



OPEN LAND > 15 METERS

- | | | | |
|----------|--------------------------|--|-----------------|
| X | = GROUND RODS | | = GROUND SCREEN |
| D | = TEST DISTANCE (meters) | | = WOOD COVER |

COM-POWER AL-130**LOOP ANTENNA**

S/N: 17089

CALIBRATION DATE: JANUARY 21, 2011

FREQUENCY (MHz)	MAGNETIC (dB/m)	ELECTRIC (dB/m)
0.009	-41.9	9.6
0.01	-41.79	9.71
0.02	-41.43	10.07
0.05	-41.53	9.97
0.07	-41.47	10.03
0.1	-41.44	10.06
0.2	-41.61	9.89
0.3	-41.62	9.88
0.5	-41.66	9.84
0.7	-41.48	10.02
1	-41.13	10.37
2	-40.89	10.61
3	-41.00	10.50
4	-41.14	10.36
5	-41.02	10.48
10	-40.69	10.82
15	-40.41	11.09
20	-41.07	10.43
25	-42.10	9.40
30	-41.15	10.35

COM-POWER AB-900**BICONICAL ANTENNA**

S/N: 43028

CALIBRATION DATE: MAY 24, 2012

FREQUENCY (MHz)	FACTOR (dB)	FREQUENCY (MHz)	FACTOR (dB)
30	11.80	120	13.20
35	11.20	125	13.30
40	11.90	140	11.60
45	10.70	150	11.80
50	11.40	160	12.70
60	10.30	175	14.80
70	7.60	180	15.70
80	5.70	200	15.80
90	7.90	250	14.80
100	10.7	300	19.80

COM-POWER AL-100**LOG PERIODIC ANTENNA**

S/N: 16252

CALIBRATION DATE: MAY 24, 2012

FREQUENCY (MHz)	FACTOR (dB)	FREQUENCY (MHz)	FACTOR (dB)
300	13.00	700	20.30
350	13.20	750	20.80
400	14.50	800	21.00
450	15.40	850	23.70
500	15.80	900	21.70
550	16.60	950	24.20
600	18.90	1000	24.30
650	19.10		

COM POWER AH-118**HORN ANTENNA**

S/N: 071175

CALIBRATION DATE: FEBRUARY 29, 2012

FREQUENCY (MHz)	FACTOR (dB)	FREQUENCY (MHz)	FACTOR (dB)
1000	23.6	10000	37.7
1500	22.0	10500	38.4
2000	28.7	11000	38.0
2500	29.3	11500	38.2
3000	30.6	12000	39.0
3500	30.4	12500	42.4
4000	31.1	13000	40.8
4500	33.4	13500	40.0
5000	35.3	14000	39.7
5500	35.1	14500	43.5
6000	36.9	15000	42.7
6500	37.4	15500	39.7
7000	37.6	16000	39.2
7500	36.2	16500	39.7
8000	38.4	17000	42.2
8500	39.3	17500	47.6
9000	37.4	18000	51.2
9500	38.0		

COM-POWER AH826**HORN ANTENNA**

S/N: 71957

FREQUENCY (GHz)	FACTOR (dB)	FREQUENCY (GHz)	FACTOR (dB)
18.0	33.5	22.5	35.5
18.5	33.5	23.0	35.9
19.0	34.0	23.5	35.7
19.5	34.0	24.0	35.6
20.0	34.3	24.5	36.0
20.5	34.9	25.0	36.2
21.0	34.7	25.5	36.1
21.5	35.0	26.0	36.2
22.0	35.0	26.5	35.7

COM-POWER PA-102**PREAMPLIFIER**

S/N: 1017

CALIBRATION DATE: DECEMBER 28, 2011

FREQUENCY (MHz)	FACTOR (dB)	FREQUENCY (MHz)	FACTOR (dB)
30	38.54	300	38.45
40	38.53	350	38.47
50	38.57	400	38.36
60	38.54	450	38.07
70	38.54	500	38.31
80	38.54	550	38.37
90	38.54	600	38.28
100	38.53	650	38.19
125	38.51	700	38.24
150	38.43	750	37.88
175	38.56	800	37.94
200	38.50	850	37.65
225	38.46	900	37.50
250	38.57	950	37.47
275	38.45	1000	36.86

COM-POWER PA-118**PREAMPLIFIER**

S/N: 181656

CALIBRATION DATE: DECEMBER 28, 2011

FREQUENCY (GHz)	FACTOR (dB)	FREQUENCY (GHz)	FACTOR (dB)
1.0	23.22	10.0	24.66
1.5	26.31	10.5	25.22
2.0	27.40	11.0	25.17
2.5	26.52	11.5	24.47
3.0	27.35	12.0	25.29
3.5	29.02	12.5	26.03
4.0	28.51	13.0	24.11
4.5	26.62	13.5	24.28
5.0	27.13	14.0	25.81
5.5	27.29	14.5	25.45
6.0	26.72	15.0	25.36
6.5	25.62	15.5	26.76
7.0	25.25	16.0	28.09
7.5	24.23	16.5	23.23
8.0	23.72	17.0	26.58
8.5	24.91	17.5	27.45
9.0	25.73	18.0	27.53
9.5	24.79		

COM-POWER PA-840**MICROWAVE PREAMPLIFIER**

S/N: 711919

CALIBRATION DATE: MARCH 11, 2010

FREQUENCY (GHz)	FACTOR (dB)	FREQUENCY (GHz)	FACTOR (dB)
18.0	28.05	29.5	23.78
18.5	28.35	30.0	21.88
19.0	28.27	30.5	23.42
19.5	28.62	31.0	21.24
20.0	28.67	31.5	22.69
20.5	27.96	32.0	21.59
21.0	27.76	32.5	21.09
21.5	26.91	33.0	21.22
22.0	27.19	33.5	21.38
22.5	26.90	34.0	20.21
23.0	26.90	34.5	20.89
23.5	26.43	35.0	20.18
24.0	26.75	35.5	21.23
24.5	24.96	36.0	20.99
25.0	26.56	36.5	21.09
25.5	24.75	37.0	14.63
26.0	25.13	37.5	16.74
26.5	24.79	38.0	22.62
27.0	24.54	38.5	24.14
27.5	23.72	39.0	25.97
28.0	24.34	39.5	27.40
28.5	24.01	40.0	22.69
29.0	24.96		



FRONT VIEW

UNIVERSAL ELECTRONICS, INC.
UEI FUSION PLUS QWERTY KB REMOTE 2012
MODEL: URC-5110BC0-XXX-R
FCC SUBPART B AND C – RADIATED EMISSIONS

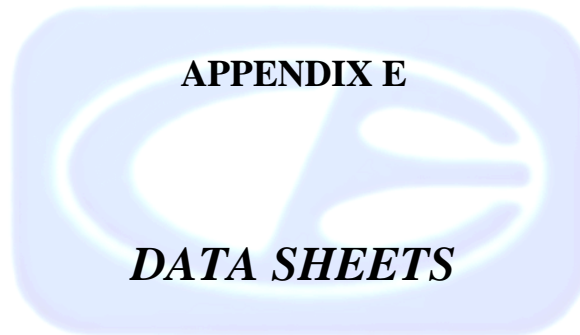
**PHOTOGRAPH SHOWING THE EUT CONFIGURATION
FOR MAXIMUM EMISSIONS**



REAR VIEW

UNIVERSAL ELECTRONICS, INC.
UEI FUSION PLUS QWERTY KB REMOTE 2012
MODEL: URC-5110BC0-XXX-R
FCC SUBPART B AND C – RADIATED EMISSIONS

**PHOTOGRAPH SHOWING THE EUT CONFIGURATION
FOR MAXIMUM EMISSIONS**



RADIATED EMISSIONS

DATA SHEETS

FCC 15.249

Universal Electronics, Inc.
 UEI Fusion Plus QWERTY KB Remote 2012
 Model: URC-5110BC0-XXX-R

Date: 10/25/2012
 Lab: B
 Tested By: Kyle Fujimoto

Harmonics
Low Channel
Transmit Mode - X-Axis

Freq. (MHz)	Level (dBuV)	Pol (v/h)	Limit	Margin	Peak / QP / Avg	Ant. Height (m)	Table Angle (deg)	Comments
4850	48.21	V	74	-25.79	Peak	1.25	155	
4850	28.21	V	54	-25.79	Avg	1.25	155	
7275	64.01	V	74	-9.99	Peak	1.25	165	
7275	44.01	V	54	-9.99	Avg	1.25	165	
9700	56.33	V	74	-17.67	Peak	1.35	175	
9700	36.33	V	54	-17.67	Avg	1.35	175	
12125								No Emissions Detected
14550								No Emissions Detected
16975								No Emissions Detected
19400								No Emissions Detected
21825								No Emissions Detected
24250								No Emissions Detected

FCC 15.249

Universal Electronics, Inc.
 UEI Fusion Plus QWERTY KB Remote 2012
 Model: URC-5110BC0-XXX-R

Date: 10/25/2012
 Lab: B
 Tested By: Kyle Fujimoto

Harmonics

Low Channel

Transmit Mode - Y-Axis

Freq. (MHz)	Level (dBuV)	Pol (v/h)	Limit	Margin	Peak / QP / Avg	Ant. Height (m)	Table Angle (deg)	Comments
4850	52.8	V	74	-21.2	Peak	1.25	145	
4850	32.8	V	54	-21.2	Avg	1.25	145	
7275	62.33	V	74	-11.67	Peak	1.25	155	
7275	42.33	V	54	-11.67	Avg	1.25	155	
9700	57.02	V	74	-16.98	Peak	1.25	155	
9700	37.02	V	54	-16.98	Avg	1.25	155	
12125								No Emissions Detected
12125								
14550								No Emissions Detected
14550								
16975								No Emissions Detected
16975								
19400								No Emissions Detected
19400								
21825								No Emissions Detected
21825								
24250								No Emissions Detected
24250								

FCC 15.249

Universal Electronics, Inc.
 UEI Fusion Plus QWERTY KB Remote 2012
 Model: URC-5110BC0-XXX-R

Date: 10/25/2012
 Lab: B
 Tested By: Kyle Fujimoto

Harmonics

Low Channel

Transmit Mode - Z-Axis

Freq. (MHz)	Level (dBuV)	Pol (v/h)	Limit	Margin	Peak / QP / Avg	Ant. Height (m)	Table Angle (deg)	Comments
4850	52.69	V	74	-21.31	Peak	1.25	155	
4850	32.69	V	54	-21.31	Avg	1.25	155	
7275	61.25	V	74	-12.75	Peak	1.25	155	
7275	41.25	V	54	-12.75	Avg	1.25	155	
9700	56.38	V	74	-17.62	Peak	1.35	165	
9700	36.38	V	54	-17.62	Avg	1.35	165	
12125								No Emissions Detected
14550								No Emissions Detected
16975								No Emissions Detected
19400								No Emissions Detected
21825								No Emissions Detected
24250								No Emissions Detected

FCC 15.249

Universal Electronics, Inc.
 UEI Fusion Plus QWERTY KB Remote 2012
 Model: URC-5110BC0-XXX-R

Date: 10/25/2012
 Lab: B
 Tested By: Kyle Fujimoto

Harmonics

Low Channel

Transmit Mode - X-Axis

Freq. (MHz)	Level (dBuV)	Pol (v/h)	Limit	Margin	Peak / QP / Avg	Ant. Height (m)	Table Angle (deg)	Comments
4850	48.49	H	74	-25.51	Peak	1.25	155	
4850	28.49	H	54	-25.51	Avg	1.25	155	
7275	61.42	H	74	-12.58	Peak	1.25	155	
7275	41.42	H	54	-12.58	Avg	1.25	155	
9700	58.92	H	74	-15.08	Peak	1.35	145	
9700	38.92	H	54	-15.08	Avg	1.35	145	
12125								No Emissions Detected
12125								
14550								No Emissions Detected
14550								
16975								No Emissions Detected
16975								
19400								No Emissions Detected
19400								
21825								No Emissions Detected
21825								
24250								No Emissions Detected
24250								

FCC 15.249

Universal Electronics, Inc.
 UEI Fusion Plus QWERTY KB Remote 2012
 Model: URC-5110BC0-XXX-R

Date: 10/25/2012
 Lab: B
 Tested By: Kyle Fujimoto

Harmonics

Low Channel

Transmit Mode - Y-Axis

Freq. (MHz)	Level (dBuV)	Pol (v/h)	Limit	Margin	Peak / QP / Avg	Ant. Height (m)	Table Angle (deg)	Comments
4850	52.54	H	74	-21.46	Peak	1.35	145	
4850	32.54	H	54	-21.46	Avg	1.35	145	
7275	63.87	H	74	-10.13	Peak	1.25	155	
7275	43.87	H	54	-10.13	Avg	1.25	155	
9700	54.57	H	74	-19.43	Peak	1.35	165	
9700	34.57	H	54	-19.43	Avg	1.35	165	
12125								No Emissions Detected
14550								No Emissions Detected
16975								No Emissions Detected
19400								No Emissions Detected
21825								No Emissions Detected
24250								No Emissions Detected

FCC 15.249

Universal Electronics, Inc.
 UEI Fusion Plus QWERTY KB Remote 2012
 Model: URC-5110BC0-XXX-R

Date: 10/25/2012
 Lab: B
 Tested By: Kyle Fujimoto

Harmonics

Low Channel

Transmit Mode - Z-Axis

Freq. (MHz)	Level (dBuV)	Pol (v/h)	Limit	Margin	Peak / QP / Avg	Ant. Height (m)	Table Angle (deg)	Comments
4850	50.09	H	74	-23.91	Peak	1.25	145	
4850	30.09	H	54	-23.91	Avg	1.25	145	
7275	63.68	H	74	-10.32	Peak	1.25	135	
7275	43.68	H	54	-10.32	Avg	1.25	135	
9700	53.71	H	74	-20.29	Peak	1.35	145	
9700	33.71	H	54	-20.29	Avg	1.35	145	
12125								No Emissions Detected
12125								
14550								No Emissions Detected
14550								
16975								No Emissions Detected
16975								
19400								No Emissions Detected
19400								
21825								No Emissions Detected
21825								
24250								No Emissions Detected
24250								

FCC 15.249

Universal Electronics, Inc.
 UEI Fusion Plus QWERTY KB Remote 2012
 Model: URC-5110BC0-XXX-R

Date: 10/25/2012
 Lab: B
 Tested By: Kyle Fujimoto

Harmonics

Middle Channel

Transmit Mode - X-Axis

Freq. (MHz)	Level (dBuV)	Pol (v/h)	Limit	Margin	Peak / QP / Avg	Ant. Height (m)	Table Angle (deg)	Comments
4900	51.91	V	74	-22.09	Peak	1.25	155	
4900	31.91	V	54	-22.09	Avg	1.25	155	
7350	60.41	V	74	-13.59	Peak	1.25	155	
7350	40.41	V	54	-13.59	Avg	1.25	155	
9800	54.35	V	74	-19.65	Peak	1.25	155	
9800	34.35	V	54	-19.65	Avg	1.25	155	
12250								No Emissions Detected
14700								No Emissions Detected
17150								No Emissions Detected
19600								No Emissions Detected
22050								No Emissions Detected
24500								No Emissions Detected

FCC 15.249

Universal Electronics, Inc.
 UEI Fusion Plus QWERTY KB Remote 2012
 Model: URC-5110BC0-XXX-R

Date: 10/25/2012
 Lab: B
 Tested By: Kyle Fujimoto

Harmonics

Middle Channel

Transmit Mode - Y-Axis

Freq. (MHz)	Level (dBuV)	Pol (v/h)	Limit	Margin	Peak / QP / Avg	Ant. Height (m)	Table Angle (deg)	Comments
4900	43.83	V	74	-30.17	Peak	1.25	145	
4900	23.83	V	54	-30.17	Avg	1.25	145	
7350	61.21	V	74	-12.79	Peak	1.25	155	
7350	41.21	V	54	-12.79	Avg	1.25	155	
9800	54.03	V	74	-19.97	Peak	1.25	155	
9800	34.03	V	54	-19.97	Avg	1.25	155	
12250								No Emissions Detected
14700								No Emissions Detected
17150								No Emissions Detected
19600								No Emissions Detected
22050								No Emissions Detected
24500								No Emissions Detected

FCC 15.249

Universal Electronics, Inc.
 UEI Fusion Plus QWERTY KB Remote 2012
 Model: URC-5110BC0-XXX-R

Date: 10/25/2012
 Lab: B
 Tested By: Kyle Fujimoto

Harmonics

Middle Channel

Transmit Mode - Z-Axis

Freq. (MHz)	Level (dBuV)	Pol (v/h)	Limit	Margin	Peak / QP / Avg	Ant. Height (m)	Table Angle (deg)	Comments
4900	48.35	V	74	-25.65	Peak	1.35	145	
4900	28.35	V	54	-25.65	Avg	1.35	145	
7350	54.74	V	74	-19.26	Peak	1.25	155	
7350	34.74	V	54	-19.26	Avg	1.25	155	
9800	53.51	V	74	-20.49	Peak	1.25	155	
9800	33.51	V	54	-20.49	Avg	1.25	155	
12250								No Emissions
12250								Detected
14700								No Emissions
14700								Detected
17150								No Emissions
17150								Detected
19600								No Emissions
19600								Detected
22050								No Emissions
22050								Detected
24500								No Emissions
24500								Detected

FCC 15.249

Universal Electronics, Inc.
 UEI Fusion Plus QWERTY KB Remote 2012
 Model: URC-5110BC0-XXX-R

Date: 10/25/2012
 Lab: B
 Tested By: Kyle Fujimoto

Harmonics
Middle Channel
Transmit Mode - X-Axis

Freq. (MHz)	Level (dBUV)	Pol (v/h)	Limit	Margin	Peak / QP / Avg	Ant. Height (m)	Table Angle (deg)	Comments
4900	49.29	H	74	-24.71	Peak	1.25	155	
4900	29.29	H	54	-24.71	Avg	1.25	155	
7350	58.65	H	74	-15.35	Peak	1.25	155	
7350	38.65	H	54	-15.35	Avg	1.25	155	
9800	52.85	H	74	-21.15	Peak	1.35	145	
9800	32.85	H	54	-21.15	Avg	1.35	145	
12250								No Emissions
12250								Detected
14700								No Emissions
14700								Detected
17150								No Emissions
17150								Detected
19600								No Emissions
19600								Detected
22050								No Emissions
22050								Detected
24500								No Emissions
24500								Detected

FCC 15.249

Universal Electronics, Inc.
 UEI Fusion Plus QWERTY KB Remote 2012
 Model: URC-5110BC0-XXX-R

Date: 10/25/2012
 Lab: B
 Tested By: Kyle Fujimoto

Harmonics

Middle Channel

Transmit Mode - Y-Axis

Freq. (MHz)	Level (dBuV)	Pol (v/h)	Limit	Margin	Peak / QP / Avg	Ant. Height (m)	Table Angle (deg)	Comments
4900	49.07	H	74	-24.93	Peak	1.25	145	
4900	29.07	H	54	-24.93	Avg	1.25	145	
7350	57.77	H	74	-16.23	Peak	1.25	155	
7350	37.77	H	54	-16.23	Avg	1.25	155	
9800	53.19	H	74	-20.81	Peak	1.35	145	
9800	33.19	H	54	-20.81	Avg	1.35	145	
12250								No Emissions Detected
14700								No Emissions Detected
17150								No Emissions Detected
19600								No Emissions Detected
22050								No Emissions Detected
24500								No Emissions Detected

FCC 15.249

Universal Electronics, Inc.
 UEI Fusion Plus QWERTY KB Remote 2012
 Model: URC-5110BC0-XXX-R

Date: 10/25/2012
 Lab: B
 Tested By: Kyle Fujimoto

Harmonics
 Middle Channel
 Transmit Mode - Z-Axis

Freq. (MHz)	Level (dBuV)	Pol (v/h)	Limit	Margin	Peak / QP / Avg	Ant. Height (m)	Table Angle (deg)	Comments
4900	48.21	H	74	-25.79	Peak	1.35	145	
4900	28.21	H	54	-25.79	Avg	1.35	145	
7350	58.46	H	74	-15.54	Peak	1.25	155	
7350	38.46	H	54	-15.54	Avg	1.25	155	
9800	53.31	H	74	-20.69	Peak	1.35	165	
9800	33.31	H	54	-20.69	Avg	1.35	165	
12250								No Emissions Detected
14700								No Emissions Detected
17150								No Emissions Detected
19600								No Emissions Detected
22050								No Emissions Detected
24500								No Emissions Detected

FCC 15.249

Universal Electronics, Inc.
 UEI Fusion Plus QWERTY KB Remote 2012
 Model: URC-5110BC0-XXX-R

Date: 10/25/2012
 Lab: B
 Tested By: Kyle Fujimoto

Harmonics
High Channel
Transmit Mode - X-Axis

Freq. (MHz)	Level (dBuV)	Pol (v/h)	Limit	Margin	Peak / QP / Avg	Ant. Height (m)	Table Angle (deg)	Comments
4950	48.15	V	74	-25.85	Peak	1.25	165	
4950	28.15	V	54	-25.85	Avg	1.25	165	
7425	55.12	V	74	-18.88	Peak	1.25	155	
7425	35.12	V	54	-18.88	Avg	1.25	155	
9900	52.63	V	74	-21.37	Peak	1.25	155	
9900	32.63	V	54	-21.37	Avg	1.25	155	
12375								No Emissions Detected
12375								
14850								No Emissions Detected
14850								
17325								No Emissions Detected
17325								
19800								No Emissions Detected
19800								
22275								No Emissions Detected
22275								
24750								No Emissions Detected
24750								

FCC 15.249

Universal Electronics, Inc.
 UEI Fusion Plus QWERTY KB Remote 2012
 Model: URC-5110BC0-XXX-R

Date: 10/25/2012
 Lab: B
 Tested By: Kyle Fujimoto

Harmonics

High Channel

Transmit Mode - Y-Axis

Freq. (MHz)	Level (dBuV)	Pol (v/h)	Limit	Margin	Peak / QP / Avg	Ant. Height (m)	Table Angle (deg)	Comments
4950	47.26	V	74	-26.74	Peak	1.25	145	
4950	27.26	V	54	-26.74	Avg	1.25	145	
7425	59.73	V	74	-14.27	Peak	1.25	155	
7425	39.73	V	54	-14.27	Avg	1.25	155	
9900	52.84	V	74	-21.16	Peak	1.25	155	
9900	32.84	V	54	-21.16	Avg	1.25	155	
12375								No Emissions Detected
12375								Detected
14850								No Emissions Detected
14850								Detected
17325								No Emissions Detected
17325								Detected
19800								No Emissions Detected
19800								Detected
22275								No Emissions Detected
22275								Detected
24750								No Emissions Detected
24750								Detected

FCC 15.249

Universal Electronics, Inc.
 UEI Fusion Plus QWERTY KB Remote 2012
 Model: URC-5110BC0-XXX-R

Date: 10/25/2012
 Lab: B
 Tested By: Kyle Fujimoto

Harmonics

High Channel

Transmit Mode - Z-Axis

Freq. (MHz)	Level (dBuV)	Pol (v/h)	Limit	Margin	Peak / QP / Avg	Ant. Height (m)	Table Angle (deg)	Comments
4950	49.63	V	74	-24.37	Peak	1.25	145	
4950	29.63	V	54	-24.37	Avg	1.25	145	
7425	57.46	V	74	-16.54	Peak	1.25	155	
7425	37.46	V	54	-16.54	Avg	1.25	155	
9900	52.18	V	74	-21.82	Peak	1.25	155	
9900	32.18	V	54	-21.82	Avg	1.25	155	
12375								No Emissions Detected
12375								
14850								No Emissions Detected
14850								
17325								No Emissions Detected
17325								
19800								No Emissions Detected
19800								
22275								No Emissions Detected
22275								
24750								No Emissions Detected
24750								

FCC 15.249

Universal Electronics, Inc.
 UEI Fusion Plus QWERTY KB Remote 2012
 Model: URC-5110BC0-XXX-R

Date: 10/25/2012
 Lab: B
 Tested By: Kyle Fujimoto

Harmonics
High Channel
Transmit Mode - X-Axis

Freq. (MHz)	Level (dBuV)	Pol (v/h)	Limit	Margin	Peak / QP / Avg	Ant. Height (m)	Table Angle (deg)	Comments
4950	48.01	H	74	-25.99	Peak	1.25	145	
4950	28.01	H	54	-25.99	Avg	1.25	145	
7425	57.23	H	74	-16.77	Peak	1.25	155	
7425	37.23	H	54	-16.77	Avg	1.25	155	
9900	55.61	H	74	-18.39	Peak	1.25	155	
9900	35.61	H	54	-18.39	Avg	1.25	155	
12375								No Emissions Detected
12375								Detected
14850								No Emissions Detected
14850								Detected
17325								No Emissions Detected
17325								Detected
19800								No Emissions Detected
19800								Detected
22275								No Emissions Detected
22275								Detected
24750								No Emissions Detected
24750								Detected

FCC 15.249

Universal Electronics, Inc.
 UEI Fusion Plus QWERTY KB Remote 2012
 Model: URC-5110BC0-XXX-R

Date: 10/25/2012
 Lab: B
 Tested By: Kyle Fujimoto

Harmonics

High Channel

Transmit Mode - Y-Axis

Freq. (MHz)	Level (dBuV)	Pol (v/h)	Limit	Margin	Peak / QP / Avg	Ant. Height (m)	Table Angle (deg)	Comments
4950	48.18	H	74	-25.82	Peak	1.25	145	
4950	28.18	H	54	-25.82	Avg	1.25	145	
7425	59.79	H	74	-14.21	Peak	1.25	155	
7425	39.79	H	54	-14.21	Avg	1.25	155	
9900	52.31	H	74	-21.69	Peak	1.25	155	
9900	32.31	H	54	-21.69	Avg	1.25	155	
12375								No Emissions Detected
14850								No Emissions Detected
17325								No Emissions Detected
19800								No Emissions Detected
22275								No Emissions Detected
24750								No Emissions Detected

FCC 15.249

Universal Electronics, Inc.
 UEI Fusion Plus QWERTY KB Remote 2012
 Model: URC-5110BC0-XXX-R

Date: 10/25/2012
 Lab: B
 Tested By: Kyle Fujimoto

Harmonics

High Channel

Transmit Mode - Z-Axis

Freq. (MHz)	Level (dBuV)	Pol (v/h)	Limit	Margin	Peak / QP / Avg	Ant. Height (m)	Table Angle (deg)	Comments
4950	43.44	H	74	-30.56	Peak	1.25	145	
4950	23.44	H	54	-30.56	Avg	1.25	145	
7425	58.54	H	74	-15.46	Peak	1.25	155	
7425	38.54	H	54	-15.46	Avg	1.25	155	
9900	53.31	H	74	-20.69	Peak	1.25	155	
9900	33.31	H	54	-20.69	Avg	1.25	155	
12375								No Emissions Detected
12375								
14850								No Emissions Detected
14850								
17325								No Emissions Detected
17325								
19800								No Emissions Detected
19800								
22275								No Emissions Detected
22275								
24750								No Emissions Detected
24750								

