

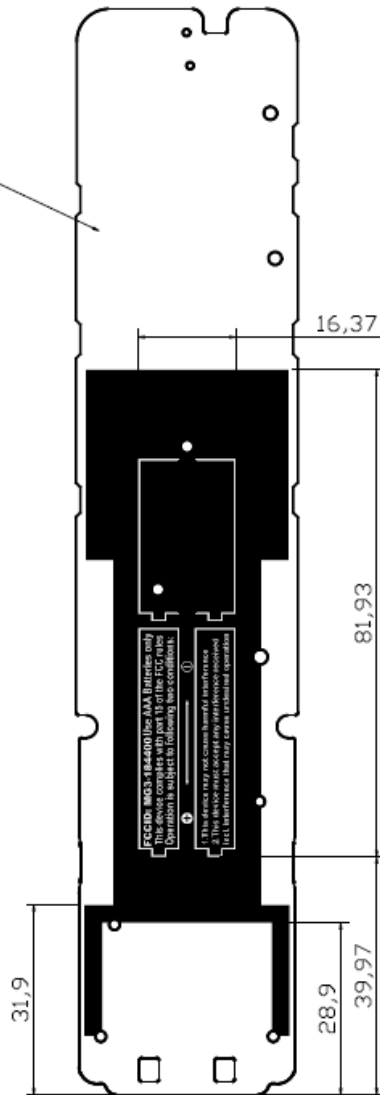
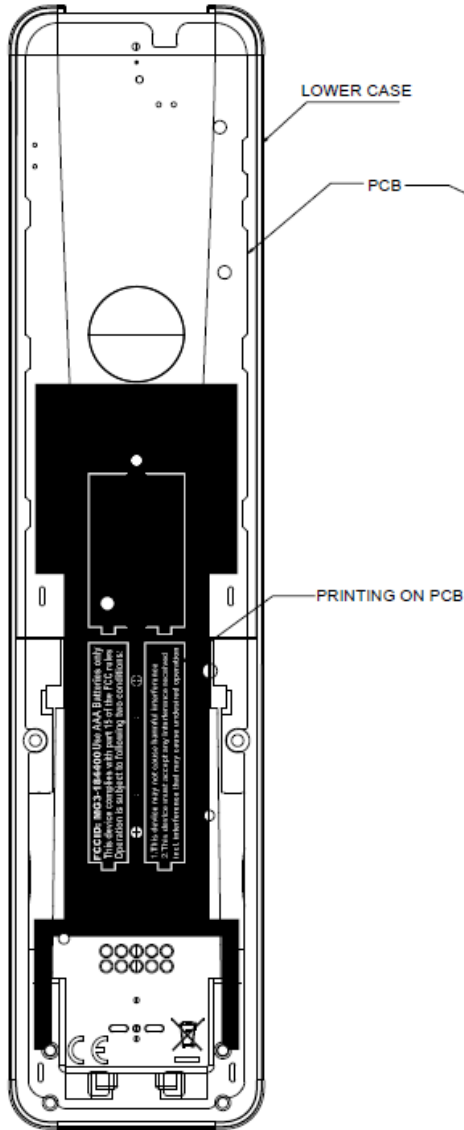
**BV LGI RF4CE NextGen  
Quick Reference Guide**



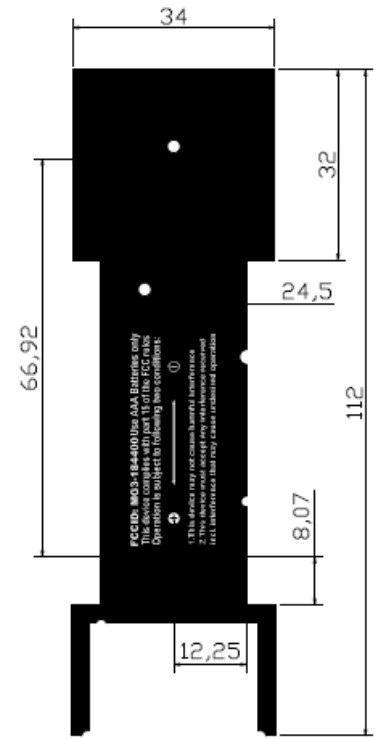
**FCC ID: MG3-184400**

This device complies with part 15 of the FCC Rules.  
Operation is subject to the following two conditions:

1. This device may not cause harmful interference.
2. This device must accept any interference received, including interference that may cause undesired operation.



Layer:Bottom Copper  
The type size for the text is 1.0MM-1.34MM.



SILK-SCREEN DIM DRAWING  
WHITE SILK-SCREEN ON BLACK BACKGROUND

## **ACTIVATING RF**

### Description:

The RF4CE pairing will initiate IR assisted pairing. This is in case a user wants to manually start the pairing process of an already paired RCU.

### Programming Sequence:

<<LIVE TV + 0>> → Press and hold together for more than 5 seconds

Pairing in process: (Continuous short blinking of STB Power LED)

If successful pair: (wait 500ms and 3 short blinks of STB Power LED)

If failed pair: (long blink of STB Power LED to indicate error)

### Results/Conditions:

- If pairing is successful, the remote will overwrite the previous pairing entry.
- If the pairing is unsuccessful, the remote will revert back to previous pairing.

## **RESTORING FACTORY DEFAULT SETTINGS and RESET RF PAIRING**

Reset remote control to factory defaults,

- If already paired, send un-pair request to STB, and clear pairing information
- all Quickset settings are cleared,
- Universal TV settings are cleared back to the default IR codes
- Backlight and remote finder settings are returned to the default values and behaviour.

### Programming Sequence:

<<LIVE TV + Rewind>> ( Press and hold together for more than 5 seconds

If successful: (STB Power key LED will blink 4 times to indicate success)

If failed: (STB Power key LED will display an Error blink)

## **Activación RF**

### Descripción:

El emparejamiento de RF4CE iniciará IR asistido por emparejamiento. Esto es en caso de que un usuario quiere iniciar manualmente el proceso de sincronización de un mando ya emparejado.

### Secuencia de programación:

<<LIVE TV + 0>> -> Mantener presionadas estas teclas por más de 5 segundos.

Proceso de Emparejamiento: (Parpadeo corto continuo de STB LED de alimentación).

Si emparejamiento fue un éxito: (Espere 500ms y luego 3 cortos parpadeos de la led de alimentación en STB LED).

Si emparejamiento ha fallado Un largo parpadeo en la led de alimentación STB, el cual indica error)

### Resultados/Condiciones:

- Si emparejamiento ha sido un éxito, el mando sobrescribirá la entrada del emparejamiento anterior.
- Si el emparejamiento ha fallado, el mando volverá al enlace anterior.

## **RESTAURAR VALORES PREDETERMINADOS DE FÁBRICA Y RESTABLECER EMPAREJAMIENTO RF.**

Restablecer el mando a los valores predeterminados de fábrica,

- Si ya están emparejados, enviar una solicitud de desemparejar de STB, y borrar la información de emparejamiento.
- Todos los ajustes de Quickset han sido borrados.
- Configuración de TV universal ha sido borrado, para regresar a los códigos de IR por defecto.
- Los ajustes de retroiluminación y encontrar mando vuelven a los valores predeterminados y comportamiento.

Secuencia de Programación:

<<LIVE TV + Rewind>> -> Mantener presionadas estas teclas por más de 5 segundos

- |                                 |  |
|---------------------------------|--|
| Si emparejamiento fue un éxito: | (La tecla de encendido en STB parpadeará 4 veces el cual indica éxito) |
| Si emparejamiento ha fallado:   | (La tecla de encendido de STB, mostrará un parpadeo de error)          |

## **COMPLIANCE WITH FCC RULES AND REGULATIONS**

This equipment has been tested and found to comply with the limits for a Class B digital device, pursuant to part 15 of the FCC Rules. These limits are designed to provide reasonable protection against harmful interference in a residential installation. This equipment generates, uses and can radiate radio frequency energy and if not used in accordance with the instructions, may cause harmful interference to radio communications.

However, there is no guarantee that interference will not occur in a particular installation. If this equipment does cause harmful interference to radio or television reception, the user is encouraged to try to correct the interference by one or more of the following measures:

- Reorient or relocate the receiving antenna.
- Increase or decrease the separation between the equipment and receiver.
- Connect the equipment into an outlet on a circuit different from that to which the receiver is connected.
- Consult the dealer or an experienced remote control/ TV technician for help.

The user is cautioned that changes and modifications made to the equipment without the approval of manufacturer could void the user's authority to operate this equipment.

### **FCC Authorization Label**

This device complies with part 15 of the FCC Rules. Operation is subject to the following two conditions:

1. This device may not cause harmful interference.
- 2 This device must accept any interference received, including interference that may cause undesired operation.