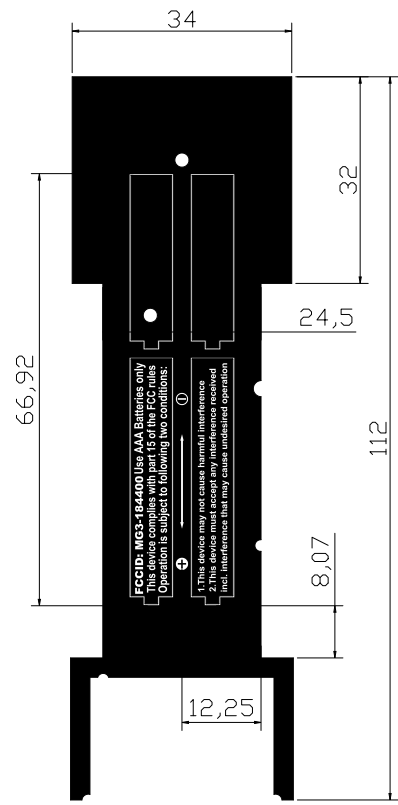


Layer:Bottom Copper
 The type size for the text is
 1.0MM~1.34MM.



SILK-SCREEN DIM DRAWING

WHITE SILK-SCREEN ON
 BLACK BACKGROUND