

A

B

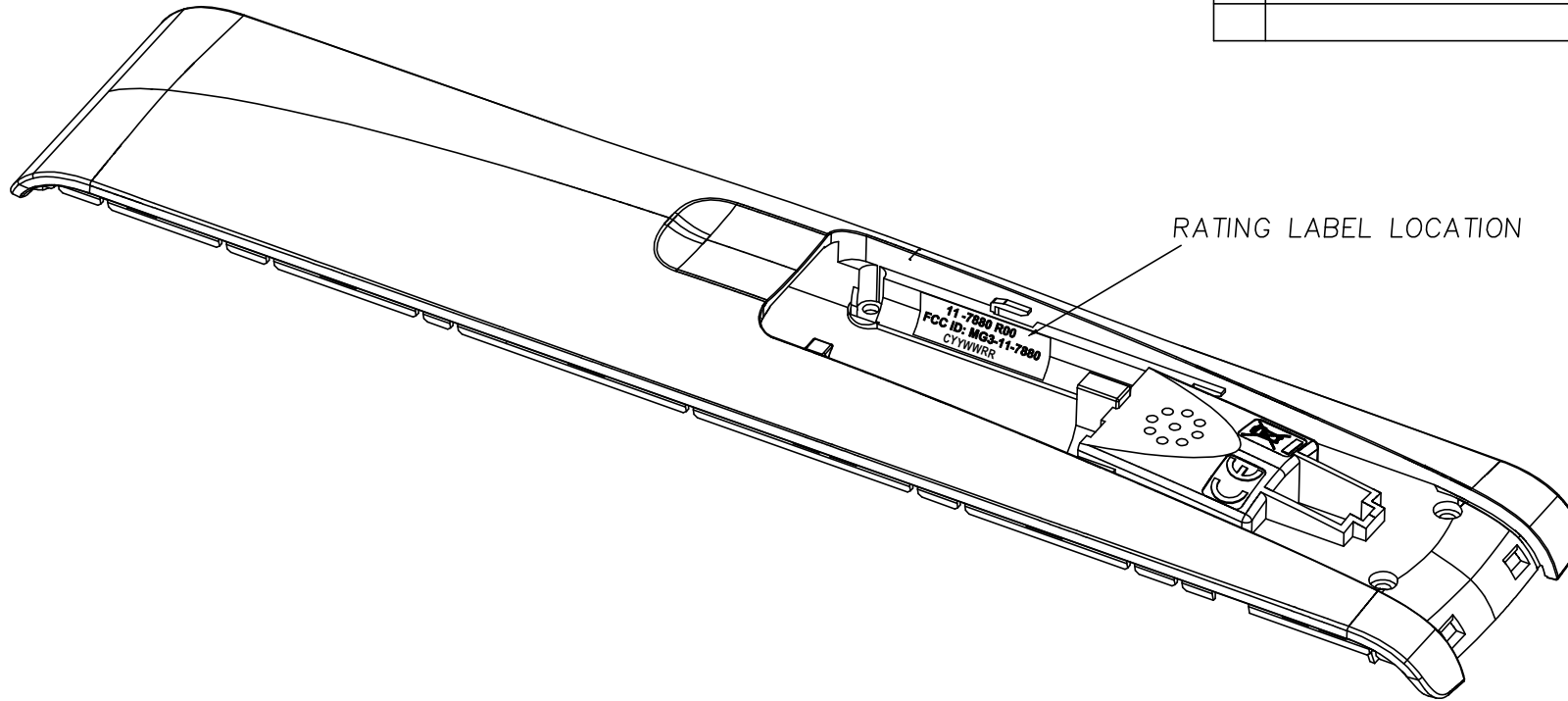
C

D

E

F

REV	DESCRIPTION	DATE	NAME
A1	NEW RELEASE	06/20/2018	Charlie



4

4

3

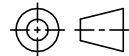
3

2

2

1

1

GEMSTAR		TECHNOLOGY (YANGZHOU) CO.,LTD. (WHOLLY OWNED BY C.G. DEVELOPMENT LTD.)	
DRAW	DATE	TITLE	
CHKD.	DATE	RATING LABEL LOCATION	
APPD.	DATE		
MODEL		MATERIAL	SURFACE FINISHING
OFA SmartControl8D US'18			
P/N		 DWG NO CG-71369	REV A1
R317880A07-00001		SIZE A4	SCALE N.T.S
		SHEET 1 OF 1	

A

B

C

D

E

F

A

B

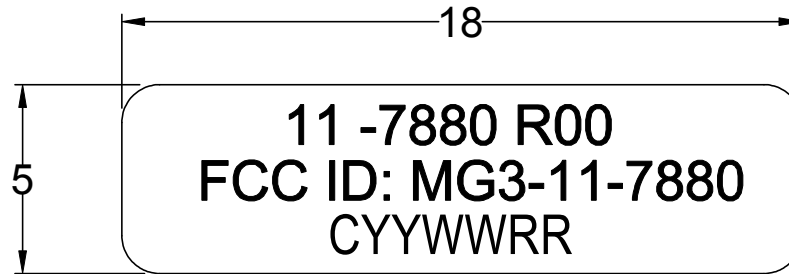
C

D

E

F

REV	DESCRIPTION	DATE	NAME
A1	NEW RELEASE	06/20/2018	Charlie

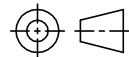


CYYWWRR

- REVISION LEVEL OF THE LATEST UEI ENGINEERING BOM
- WEEK # OF YEAR PRODUCED
- LAST TWO DIGITS OF YEAR PRODUCED
- FACTORY CODE,COMPATIBLE WITH SPEC.0003 REV22

NOTES:

- 1.BLANK LABEL :47006-0043790 ;
- 2.PAPER TYPE: HIGH QUALITY PAPER 60LB
MATERIAL COLOR: PANTONE WHITE
- 3.ADHESIVE TYPE: PRESSURE SENSITIVE FASSON-S450
OR APPROVED EQUIVALENT.
- 4.PRINT COLOR: BLACK;
- 5.PRINTED BY PD

GEMSTAR TECHNOLOGY (YANGZHOU) CO.,LTD. (WHOLLY OWNED BY C.G. DEVELOPMENT LTD.)			
DRAW	DATE	TITLE	
CHKD.	DATE	RATING LABEL	
APPD.	DATE	MATERIAL	SURFACE FINISHING
MODEL	 DWG NO CG-71424	REV	
P/N		OFA SmartControl8D US'18	A1
SIZE	A4	SCALE	5:1
		SHEET 1 OF 1	

A

B

C

D

E

F



FCC Label Durability

July 30, 2018

Compatible Electronics TCB
114 Olinda Drive
Brea, California 92823

Gentlemen:

FCC ID: MG3-11-7880

Label Durability:
OFA Smart Control 8 US 2018
Model: URC 11-7880 R00

The FCC label is expected to last the lifetime of the product. Given its location in the battery compartment, the risk is low to be rubbed off and/or scratched by end user.

If you have any questions or need additional information, please contact the undersigned at **(714) 918-9701**

Regards,

A handwritten signature in black ink, appearing to read "Jesse Mendez". The signature is fluid and cursive, with a large loop at the end.

Jesse Mendez
Staff Engineer, Electrical