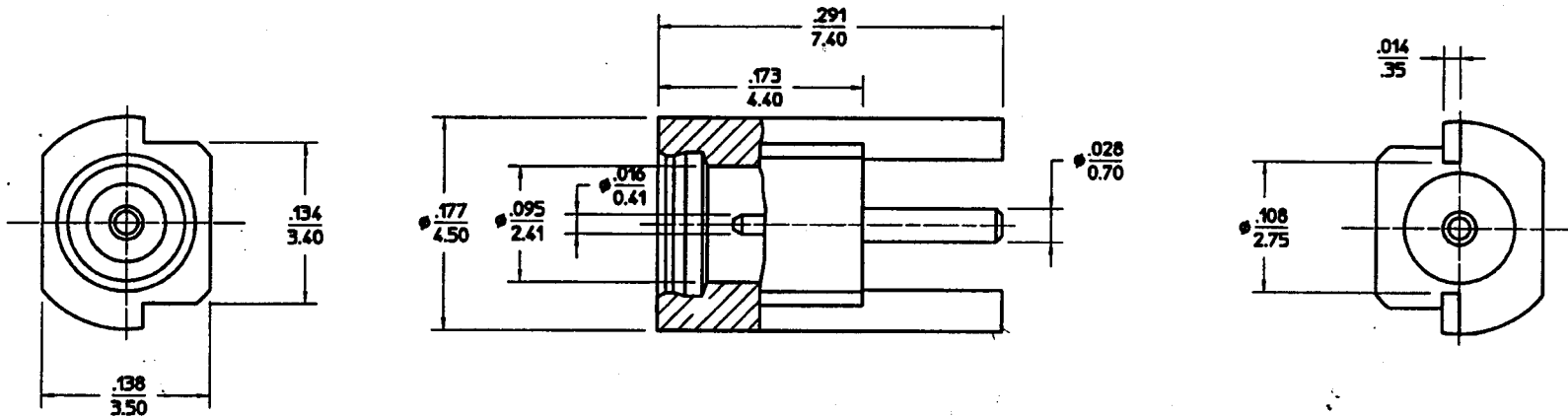


MATERIALS AND FINISHES:

BODY BRASS
PLATED GOLD

CONTACT BRASS
PLATED GOLD

INSULATOR TEFLON



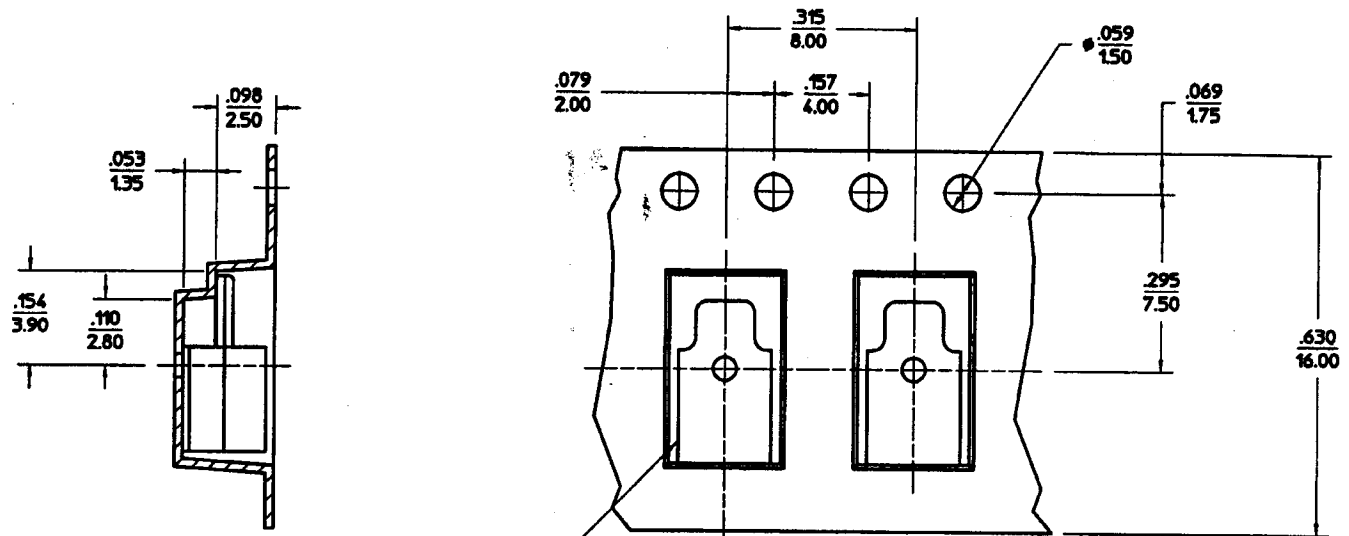
73415-4003	73415-4001 WITH TAPE AND REEL PACKAGE
73415-4002	73415-4000 WITH TAPE AND REEL PACKAGE
✓ 73415-4001	INDIVIDUAL
73415-4000	INDIVIDUAL
PART #	PACKAGING

PART NO >451706100

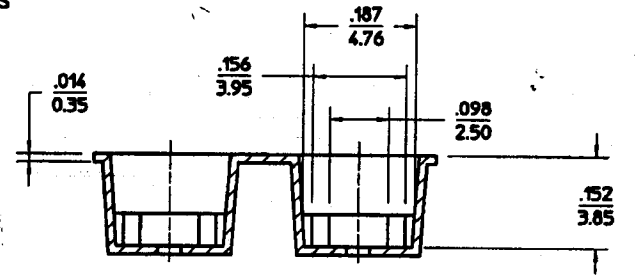
ES-73599-0000-0160	INTERFACE
PS-89675-1910	ELECTRO/MECH PERFORMANCE
SPECIFICATION	DESCRIPTION

- UNLESS OTHERWISE SPECIFIED DIMS ARE INCHES AND ANGLES ARE DEGREES.
1. ✓ 63 ALL OVER.
 2. NO CHATTER OR NON-UNIFORM SURFACE FINISH ALLOWED.
 3. PARTS TO BE FREE OF BURRS & SHARP EDGES .005 MAX BREAK.
 4. EXTERNAL THREADS TO BE ROLLED OR SINGLE POINT.
 5. DIAMETERS TO BE CONCENTRIC WITHIN .003 TR.

QUALITY SYMBOLS	GENERAL TOLERANCES - UNLESS SPECIFIED	SCALE	DESIGN UNITS	DIMENSIONS:	SHT	REV
MAJOR ▲	FR INCH	—	mm INCH	mm INCH mm ONLY	1	C
CRITICAL △	6 PLACES 3 PLACES 2 PLACES 1 PLACE	DRAWN BY & DATE CLAIRE 03/01/01	THIRD ANGLE PROJECTION	TITLE: MMCX JACK, PCB LAUNCHER (REVERSE) MMCX-P/PCB		REVISE ON CAD ONLY
	ANGULAR 42°	CHECKED BY & DATE Kenny		MATERIAL NO. MOLEX INCORPORATED		
	DRAFT WHERE APPLICABLE MUST REMAIN WITHIN DIMENSIONS	APPROVED BY & DATE <i>[Signature]</i>	DESIGN REVIEW XXX 00/00/00	DRAWING NO. SD-73415-400	SHEET NO. 1 of 2	
		THIS DRAWING CONTAINS INFORMATION THAT IS PROPRIETARY TO MOLEX INCORPORATED AND SHOULD NOT BE USED WITHOUT WRITTEN PERMISSION.				SIZE



MOLEX P/N: 73415-4000
OR 73415-4001 1200 PLACES



NOTES:
DIMENSIONS ARE PROVIDED FOR REFERENCE ONLY.

PART # 73415-4002/ 73415-4003

PART No 2451706100

A	C	SEE SHEET 1	DESCRIPTION	UNLESS OTHERWISE SPECIFIED DIMS ARE INCHES AND ANGLES ARE DEGREES. 1. ✓ 45 ALL OVER. 2. NO CHATTER OR NON-UNIFORM SURFACE FINISH ALLOWED. 3. PARTS TO BE FREE OF BURRS & SHARP EDGES .005 MAX BREAK. 4. EXTERNAL THREADS TO BE ROLLED OR SINGLE POINT. 5. DIAMETERS TO BE CONCENTRIC WITHIN .003 TIR.	QUALITY SYMBOLS MAJOR CRITICAL	GENERAL TOLERANCES UNLESS SPECIFIED		SCALE	DESIGN UNITS <input checked="" type="checkbox"/> mm <input type="checkbox"/> INCH	THIRD ANGLE PROJECTION <input type="checkbox"/> 1ST ANGLE <input checked="" type="checkbox"/> THIRD ANGLE	DIMENSIONS: <input type="checkbox"/> INCH <input checked="" type="checkbox"/> mm <input type="checkbox"/> ONLY		1	C
						4 PLACES	3 PLACES				2 PLACES	1 PLACE	MM	INCH
						DRAWN BY & DATE LYNN LIN 20/03/03		CHECKED BY & DATE KIMMY SE		TITLE: MMCX PLUG PCB LAUNCHER(REVERSE) MMCX-P/PCB		REVISION ON CAD ONLY		
						APPROVED BY & DATE Justin Wang		MATERIAL NO. SEE NOTE		DRAWING NO. SD-73415-400		SHEET NO. 2 of 2		
						DRAFT WHERE APPLICABLE MUST REMAIN WITHIN DIMENSIONS		THIS DRAWING CONTAINS INFORMATION THAT IS PROPRIETARY TO MOLEX INCORPORATED AND SHOULD NOT BE USED WITHOUT WRITTEN PERMISSION						