

Antenna Specifications

Manufacturer : Thales DIS France SAS

Address : 6 Rue de la Verrerie, MEUDON 92197 France

Brand name : Thales

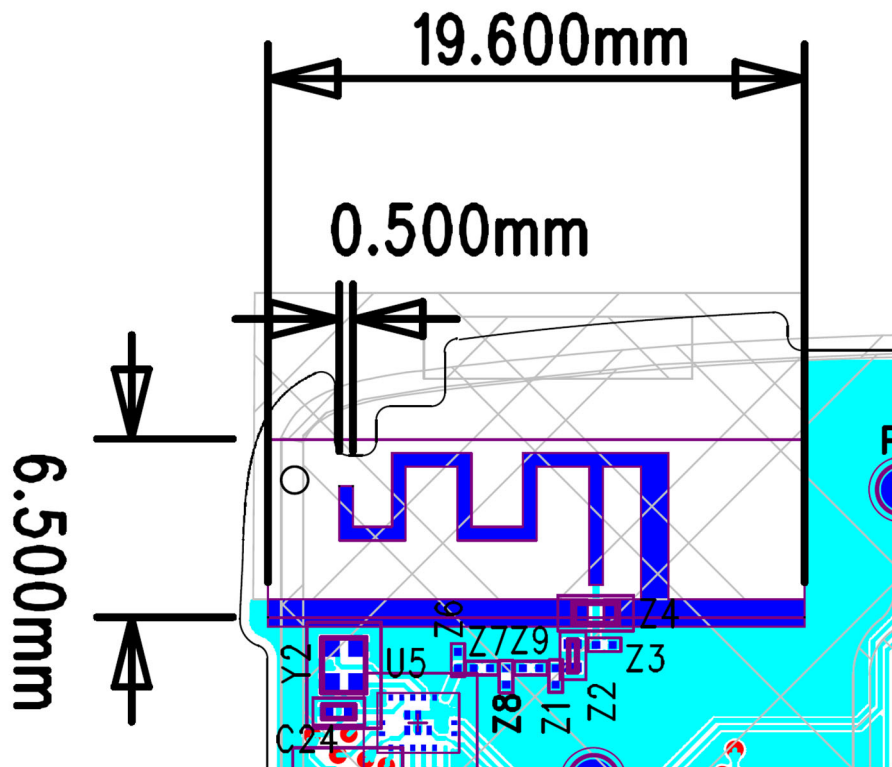
Model number : DA14531 PCB Antenna

Frequency range : 2.4GHz

Antenna type : PCB Antenna

Max. Gain : -5.1dBi

Antenna patterns : _____



Antenna radiation patterns - Total antenna gain

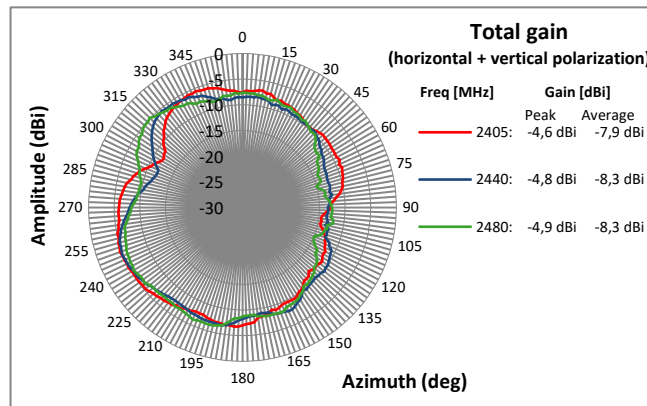


Figure 6-1 XY-plane for the Thales BLE antenna. Total antenna gain (horizontal + vertical polarization)

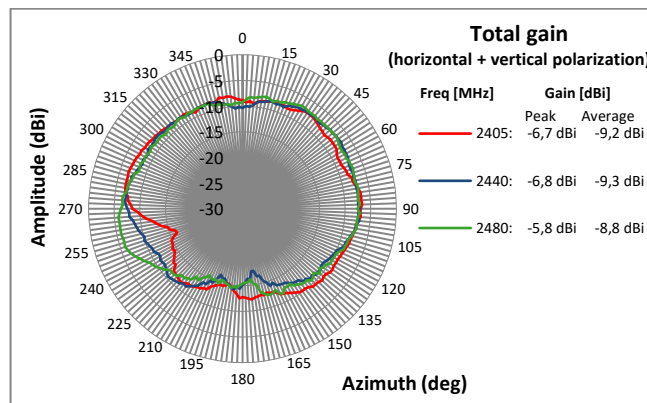


Figure 6-2 XZ-plane for the Thales BLE antenna Total antenna gain (horizontal + vertical polarization)

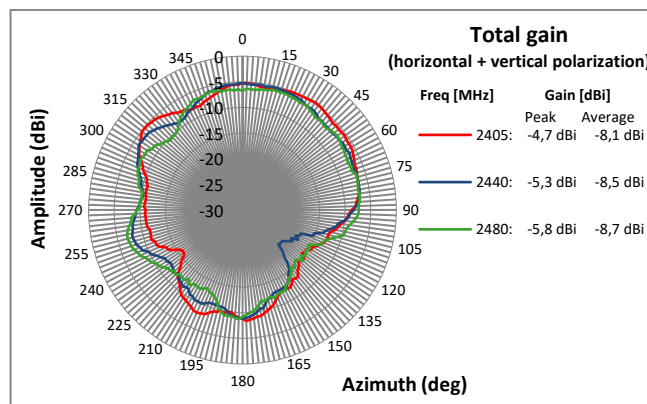


Figure 6-3 YZ-plane for the Thales BLE antenna. Total antenna gain (horizontal + vertical polarization)