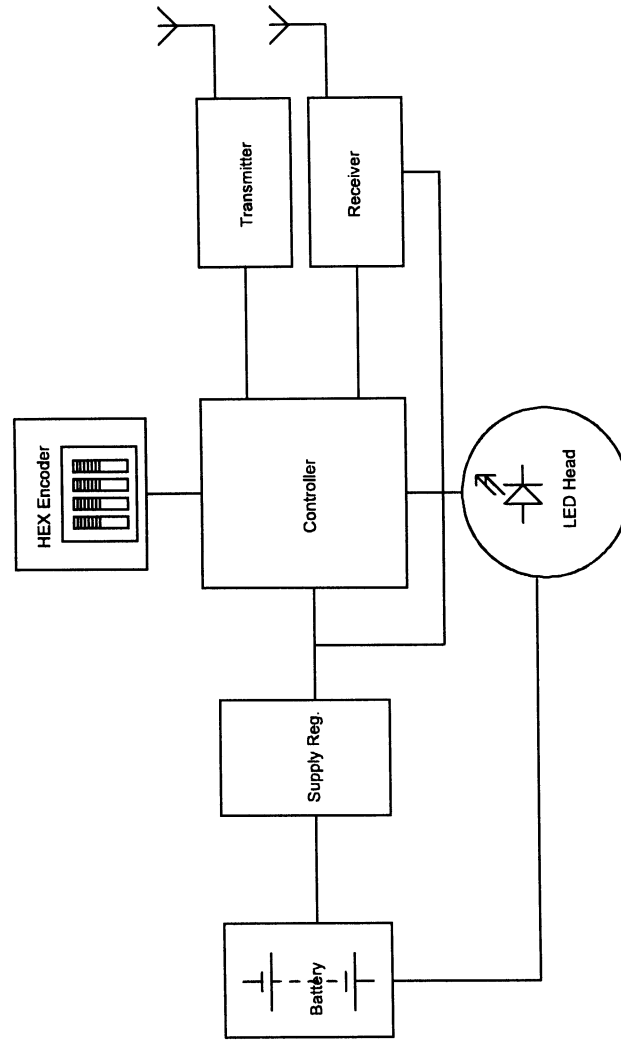


EXHIBIT C

[FCC Ref. 2.1033(b)(5)]

"Block and Schematic Diagrams"



TITLE:	LWCSD Blk. Diag.
DATE:	10/12/01
BY:	ABACOM Technologies
REV:	1.1
PAGE:	1/1