

## 6. PHOTOGRAPHS

### 6.1. Photos of Radiated Measurement at Semi-Anechoic Chamber

#### 6.1.1. Frequency Range 30MHz~1GHz (With Host: VIZIO XVT423SV)



FRONT VIEW OF RADIATED MEASUREMENT



BACK VIEW OF RADIATED MEASUREMENT

6.1.2. Frequency Range: Above 1GHz (With Host: VIZIO XVT423SV)



FRONT VIEW OF RADIATED MEASUREMENT

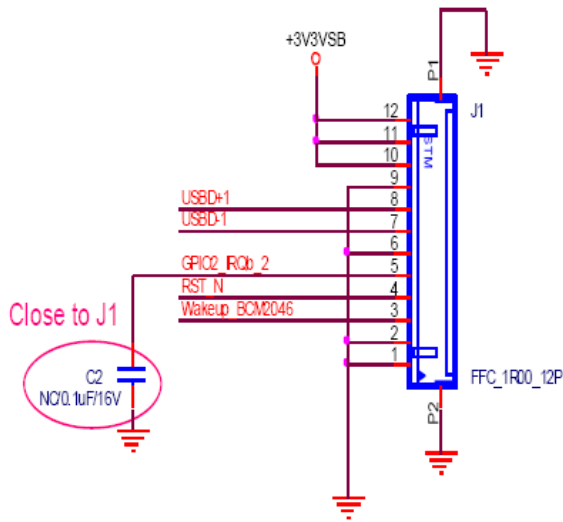


BACK VIEW OF RADIATED MEASUREMENT

# APPENDIX

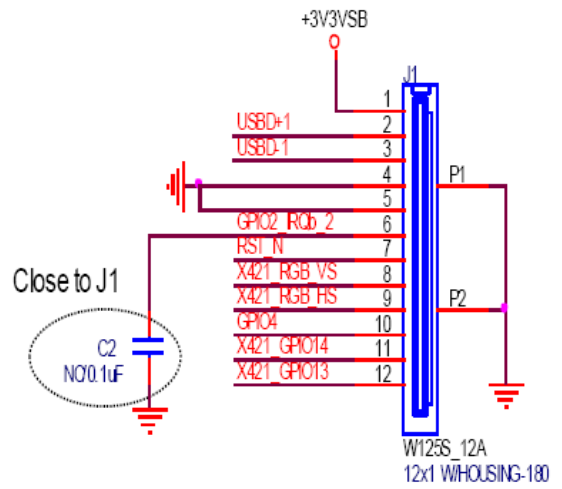
# Schematic ( J1 pine define different )

VIA schematic



Connector is FFC type

VIA2 schematic



Connector is Normal type

*AmTRAN*