

Date: Mar. 12, 2010

Federal Communication Commission
Authorization and Evaluation Division

**Subject : FCC Class II Permissive Change/ Bluetooth Embedded Module,
FCC ID: MDZSV422XVT-BT, Original Grant Date: 08/24/2009
Applicant: Amtran Technology Co., Ltd.**

Dear Sir/Madam,

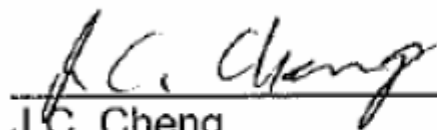
Amtran Technology Co., Ltd. is submitting an application for Class II Permissive Change to our Bluetooth Embedded Module, Model BCM92046MD_EMB (FCC ID: MDZSV422XVT-BT). This product was initially certified by the Commission on August 24, 2009 under the FCC ID: MDZSV422XVT-BT.

The changes filed under this application are adding LCD TV Model VIZIO M550NV and VIZIO M470NV collocated with Bluetooth Embedded Module, FCC ID: MDZSV422XVT-BT. And the PCB's electronic circuit changes are described at following page, but the BT module is identical.

Should you have any questions or require any other information, please do not hesitate to contact our technical agent Mr. Ben Cheng of AUDIX Technology Corporation, Tel: +886-2-2609-2133, e-mail: ben_cheng@audixtech.com.

Thank you for your attention and cooperation in this matter.

Sincerely Yours,



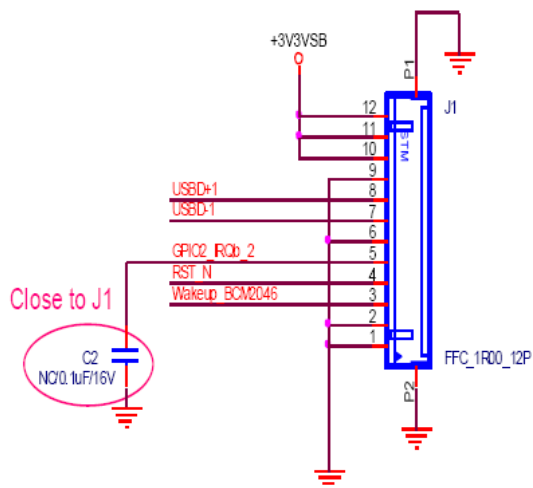
J.C. Cheng
Senior Engineer
Amtran Technology Co., Ltd.

VIA & VIA2 BT BD different point

2009/9/21

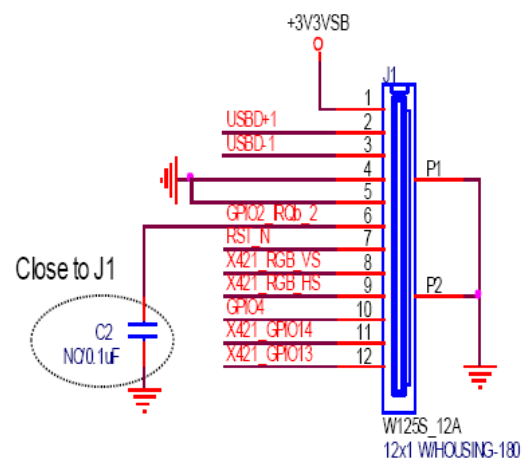
Schematic (J1 pine define different)

VIA schematic



Connector is FFC type

VIA2 schematic



Connector is Normal type