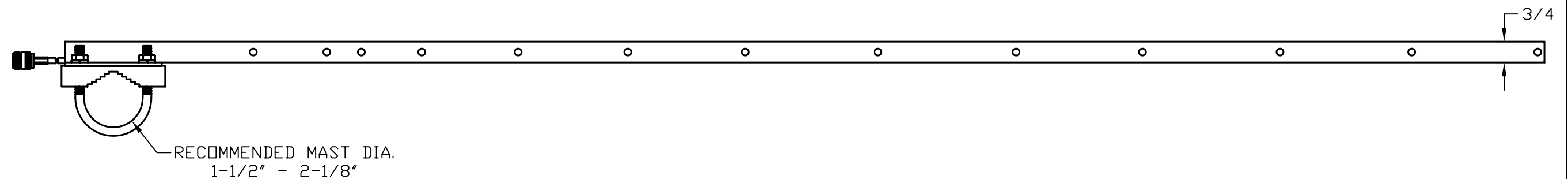
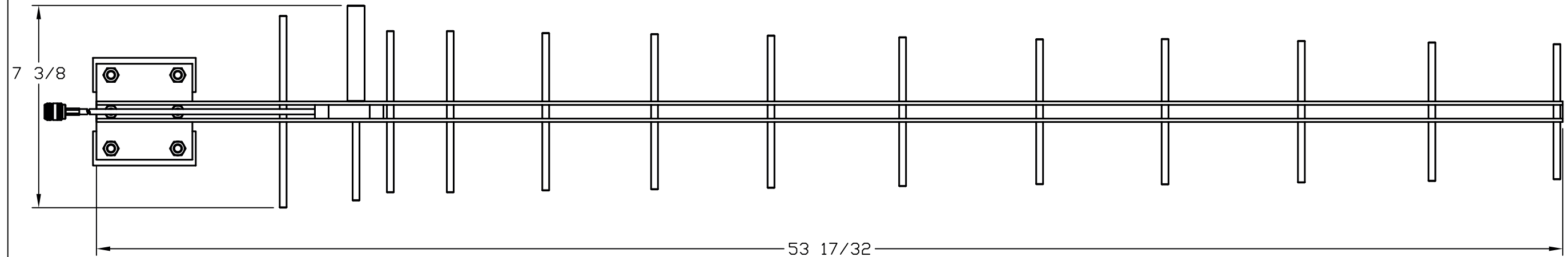



THIS DRAWING IS UNPUBLISHED.      RELEASED FOR PUBLICATION      - , - .  
 © Copyright 2022 TE Connectivity Ltd.      ALL RIGHTS RESERVED.

REVISION			
LTR	DESCRIPTION	DATE	INITIAL
AA	ORIGINAL	9-5-03	SWJ



Parameter	Performance
Model Number	PC9013N
Frequency	902-928 MHz
Gain	13dBd
Polarization	Vertical
VSWR	1.5:1 Nominal
E-Plane 3 dB Beamwidth	35°
H-Plane 3 dB Beamwidth	40°
Front to Back Ratio	20dB
RF Connector	N (female)
Power	200W
Weight	3.12 lbs

MATERIAL:	DRAWN S JOHNSON	DATE 9-5-03	
	ENGINEER R LITTLEFIELD	DATE 9-5-03	
DO NOT SCALE DRAWING	ENGINEERING MGR A ALEVY	DATE 9-5-03	PC9013N
UNLESS OTHERWISE SPECIFIED TOLERANCES ARE: ANGLES ± 2° FRACTIONS ± 1/16" .XX ± 0.030" .XXX + 0.015"	FINISH:		DRAWING NO. PC9013NMO
			REV AA
SCALE 1:4	SIZE B	SHEET 1 OF 1	