

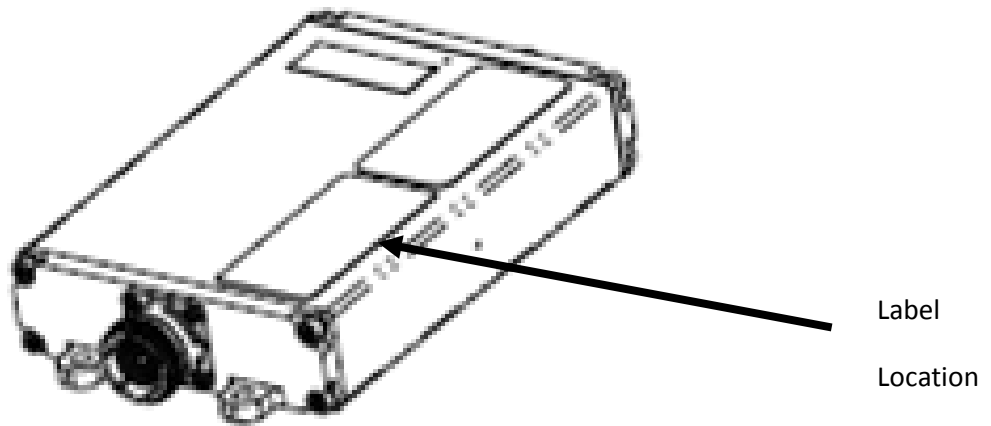
Label Location Info

Spectrum Design Solution Inc. – Digi International

Model name: GE WDNV

FCC ID: MCQ-WDNV

IC ID: 1846A-WDNV



TOP ISOMETRIC VIEW
FOR REFERENCE ONLY