



Label 2

DIGI Digi Smart Gateway (AT&T)
Model: SmartGateway


SN: ??????????????




IMEI: ??????????????????



WMAC: ??????????????????



PN: 50001920-01

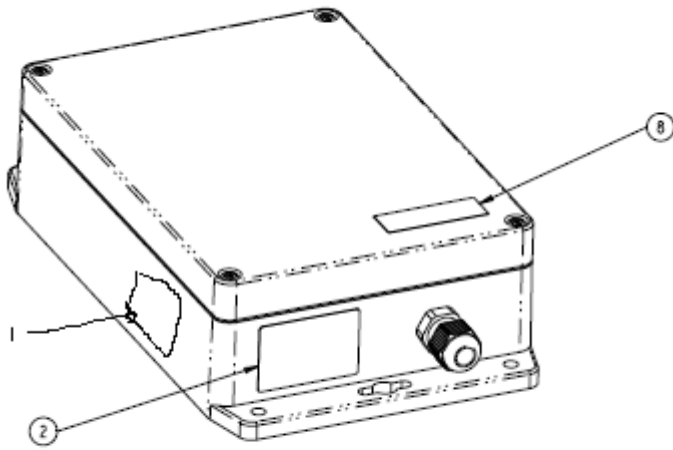


FCC ID: MCQ-SMARTGTW01 IC: 1846A-SMARTGTW01
Contains FCC ID: RI7LE910NA IC: 5131A-LE910NA

1717 CoQ USA

Label 1

This device complies with part 15 of the FCC Rules.
Operation is subject to the following two conditions:
(1) This device may not cause harmful interference,
and
(2) this device must accept any interference received,
including interference that may cause undesired
operation.



LABEL PLACEMENT