



ConnectCore 8M Nano

System-on-Module

Hardware Reference Manual

Revision history—90002378

Revision	Date	Description
1P	December 2019	Initial release.
2P	May 2020	Added operating temperature statement.
3P	September 2020	Added second SOM revision pad functionality, PMIC version, backdrive caution, and Smart IOMUX tool information.
A	December 2020	Added regulatory information and certifications, updated connectivity features list, updated input power supply table.
B	February 2021	Corrected DDR4 bus width, added power consumption section, updated memory and regulator features, modified the power group of pads A7, A6, B6 and C6, corrected D13 and D14 signal names, added new MCA content, combined pinout tables, fixed Canada IC data, removed variants table and add link to product page.

Trademarks and copyright

Digi, Digi International, and the Digi logo are trademarks or registered trademarks in the United States and other countries worldwide. All other trademarks mentioned in this document are the property of their respective owners.

© 2020 Digi International Inc. All rights reserved.

Disclaimers

Information in this document is subject to change without notice and does not represent a commitment on the part of Digi International. Digi provides this document “as is,” without warranty of any kind, expressed or implied, including, but not limited to, the implied warranties of fitness or merchantability for a particular purpose. Digi may make improvements and/or changes in this manual or in the product(s) and/or the program(s) described in this manual at any time.

Warranty

To view product warranty information, go to the following website:

www.digi.com/howtobuy/terms

Customer support

Gather support information: Before contacting Digi technical support for help, gather the following information:

Product name and model
Product serial number (s)
Firmware version
Operating system/browser (if applicable)
Logs (from time of reported issue)
Trace (if possible)
Description of issue
Steps to reproduce

Contact Digi technical support: Digi offers multiple technical support plans and service packages. Contact us at +1 952.912.3444 or visit us at www.digi.com/support.

Feedback

To provide feedback on this document, email your comments to

techcomm@digi.com

Include the document title and part number (ConnectCore 8M Nano System-on-Module Hardware Reference Manual, 90002378 B) in the subject line of your email.

Contents

About the ConnectCore 8M Nano

Features and functionality	6
SOM versions	9
Differences between version 1 and version 2	9
Determine SOM version	10
Variants	12
Block diagrams	13
ConnectCore 8M Nano module	13
NXP i.MX 8M Nano application processor	14
Power supply architecture	15
Input power supply	15
Electrical characteristics	16
System power-up sequence	18
Reference power architecture scheme	18
Bootstrap	18
Wireless interfaces	19
WLAN 802.11a/b/g/n/ac	19
Modulation and data rates	19
RF channels	22
Receive sensitivity	24
Transmit power	25
Bluetooth	25
Micro Controller Assist (MCA)	25
MCA reset control	26
MCA IOs	27
MCA digital IOs	28
MCA IRQs	28
MCA analog-to-digital converter (ADC)	28
MCA external voltage reference	28
MCA external 32 kHz clock output	28
MCA watchdog	29
MCA real-time clock	29
MCA pulse width modulation (PWM)	29
Keypad	30
LED controller	30
MCA power management	30
MCA firmware update	34
CryptoAuthentication device	34

Module pinout and IOMUX table

External signals and pin multiplexing	37
Castellated pad signals and multiplexing	38
LGA signals and multiplexing	52

Module specifications

Power consumption	95
Power consumption use cases	95
Results	96
Antenna performance	96

Regulatory information and certifications

United States FCC	99
Labeling requirements	99
Maximum power and frequency specifications (FCC)	99
FCC notices	100
FCC-approved antennas	100
RF exposure	102
Operating frequency	102
Europe	103
CE mark	103
OEM labeling requirements	103
CE labeling requirements	103
Declarations of Conformity	104
Approved antennas	104
Canada (IC)	105
Canadian Notice	105
Labeling requirements	105
Transmitters with detachable antennas	106
RF exposure	106
Approved antennas	107
Japan	107
Approval Label (MIC Marking)	107
Bluetooth	108

About the ConnectCore 8M Nano

The ConnectCore for i.MX 8M Nano module delivers a secure and extremely cost-effective connected System-on-Module platform. Its innovative Digi SMTplus™ (patent-pending) surface mount form factor allows you to choose simplified design integration leveraging proven and easy-to-use edge-castellated SMT technology, or a versatile LGA option for ultimate design flexibility with access to virtually all interfaces. Built on the i.MX 8M Nano processor with power-efficient quad ARM® Cortex®-A53 and Cortex-M7 cores, Digi ConnectCore 8M Nano combines pre-certified wireless connectivity (802.11 a/b/g/n/ac and Bluetooth 5.0) with Digi TrustFence® and Digi Microcontroller Assist™.

Features and functionality

The ConnectCore for i.M8M Nano System-on-module is based on the i.MX 8M Nano processor from NXP. This processor offers a number of interfaces, most of them multiplexed and not available simultaneously. The module has the following features:

- Single/Dual/Quad Cortex-A53 MPCore platform:
 - 32 KB L1 instruction cache
 - 32 KB L1 data cache
 - Media Processing Engine (MPE) with Arm NEON technology supporting the Advanced Single Instruction Multiple Data architecture
 - Floating Point Unit (FPU) with support of the Arm VFPv4-D16 architecture
 - Support of 64-bit Arm v8-A architecture
 - 512 KB unified L2 cache
 - On-chip memory:
 - Boot ROM (256KB)
 - On-chip RAM (512KB + 32KB)
- Cortex-M7 core platform:
 - 32 KB L1 instruction cache
 - 32 KB L1 data cache
 - 256 KB tightly coupled memory (TCM)
 - Low-power standby mode
 - IoT features including Weave
 - Manage IR or wireless remote
 - ML inference applications (enhanced for i.MX 8M Nano)
- Connectivity:

- x1 USB 2.0 OTG controllers with integrated PHY interfaces
- x3 Ultra Secure Digital Host Controller (uSDHC) interfaces
- x1 Gigabit Ethernet controller
- x4 Universal Asynchronous Receiver/Transmitter (UART) modules
- x4 I2C modules
- x3 SPI modules
- x1 Quad SPI
- 4x PWM channels
- **Multimedia**
 - Graphic Processing Unit:
 - GC7000UL with OpenCL and Vulkan support
 - 2 shader
 - 99.8 million triangles/sec
 - 0.6 giga pixel/sec
 - 9.6 GFLOPs 32-bit/19.2 GFLOPs 16-bit
 - Supports OpenGL ES 1.1, 2.0, 3.0, OpenCL
 - Core clock frequency of 600 MHz
 - Shader clock frequency of 600 MHz
 - LCDIF display controller, supporting up to 1080p60 display through MIPI DSI
 - 4-lane MIPI DSI interface
 - 4-lane MIPI CSI interface
 - Audio:
 - S/PDIF input and output, including a raw capture input mode
 - Five external Synchronous Audio Interface (SAI) modules supporting I2S, AC97, TDM, codec/DSP and DSD interfaces:
 - x1 with 4 Tx and 4 Rx lanes
 - x2 with 2 Tx and 2 Rx lanes
 - x2 with 1 Tx and 1 Rx lane
 - ASRC supports processing 32 audio channels, four context groups, 8 kHz to 384 kHz sample rate and 1/16 to 8x sample rate conversion ratio
 - Pulse Density Modulation (PDM) input
- **Security**
 - Resource Domain Controller (RDC), supporting four domains and up to eight regions of DDR
 - Arm Cortex-A53 MPCore TrustZone support
 - On-chip RAM (OCRAM) secure region protection using OCRAM controller
 - High Assurance Boot (HAB)
 - Cryptographic acceleration and assurance module (CAAM):
 - Support Widevine and PlayReady content protection
 - Public Key Cryptography (PKHA) with RSA and Elliptic Curve (ECC) algorithms
 - Real-time integrity checker (RTIC)

- DRM support for RSA, AES, 3DES, DES
- Side channel attack resistance
- True random number generation (RNG)
- Manufacturing protection support
- Secure non-volatile storage (SNVS), with secure real-time clock (RTC)
- Secure JTAG controller (SJC)
- Up to 2 GB, 32-bit LPDDR4-3200 memory
- Up to 8 GB, 8-bit eMMC memory
- NXP PCA6450A power management IC (PMIC):
 - x6 DC/DC buck converters
 - x5 LDO regulators
- CryptoAuthentication device
- 1x1 SISO IEEE802.11 a/b/g/n/ac
- Bluetooth 5.0
- Debug interfaces:
 - 5-pin JTAG debug interface
 - Single Wired Debug (SWD) interface for the MCA
- ARM Cortex-M0+ Micro Controller Assist™ (MCA) subsystem:
 - Cortex-M0+ core operates up to 48 MHz
 - Power and reset control
 - RTC
 - Peripherals:
 - x1 UART operating up to 1.5 Mbit/s
 - x2 low-power UART modules supporting asynchronous operation in low-power modes
 - x2 I2C modules supporting up to 1 Mbit/s
 - x2 16-bit SPI modules supporting up to 24 Mbit/s for SPI1 and 12 Mbit/s for SPI0
 - x1 FlexIO module supporting emulation of additional UART, SPI, I2C, I2S, PWM, and other serial modules
 - x1 16-bit ADC module with high accurate internal voltage reference, up to 20 channels and up to 818 ksps at equal to or less than 13-bit mode
 - High-speed analog comparator containing a 6-bit DAC for programmable reference input

SOM versions

Some pins on the ConnectCore 8M Nano system-on-module have different functions based on the revision of the module.

Version 1 of the SOM was used in development kits and short production for early customers and is fully functional for evaluation purposes. However, version 1 will not be available for mass production so you must base final designs on version 2 of the SOM.

Differences between version 1 and version 2

In **version 1** of the ConnectCore 8M Nano:

- PMIC used is Rohm BD71850 instead of NXP PCA9450A.
- Pinout differences:
 - The following pads belong to 3V3 power group instead of 1V8:
 - V1 (I2C4_SCL).
 - W1 (I2C4_SDA).
 - E29 (I2C2_SDA).
 - F28 (I2C2_SCL).
 - Pad AN5 is connected to GPIO1_IO05 pin of the i.MX 8M Nano CPU.
 - Pad K29 is not connected.
 - Pad F10 is not connected.
 - Pad AG15 is connected to SD1_RESET_B pin of the i.MX 8M Nano CPU.
 - Pad AG25 is not connected.
 - Pad AH7 is connected to LDO4.
 - Pad AJ10 is connected to LDO5.

Initial version differences in IOMUX:

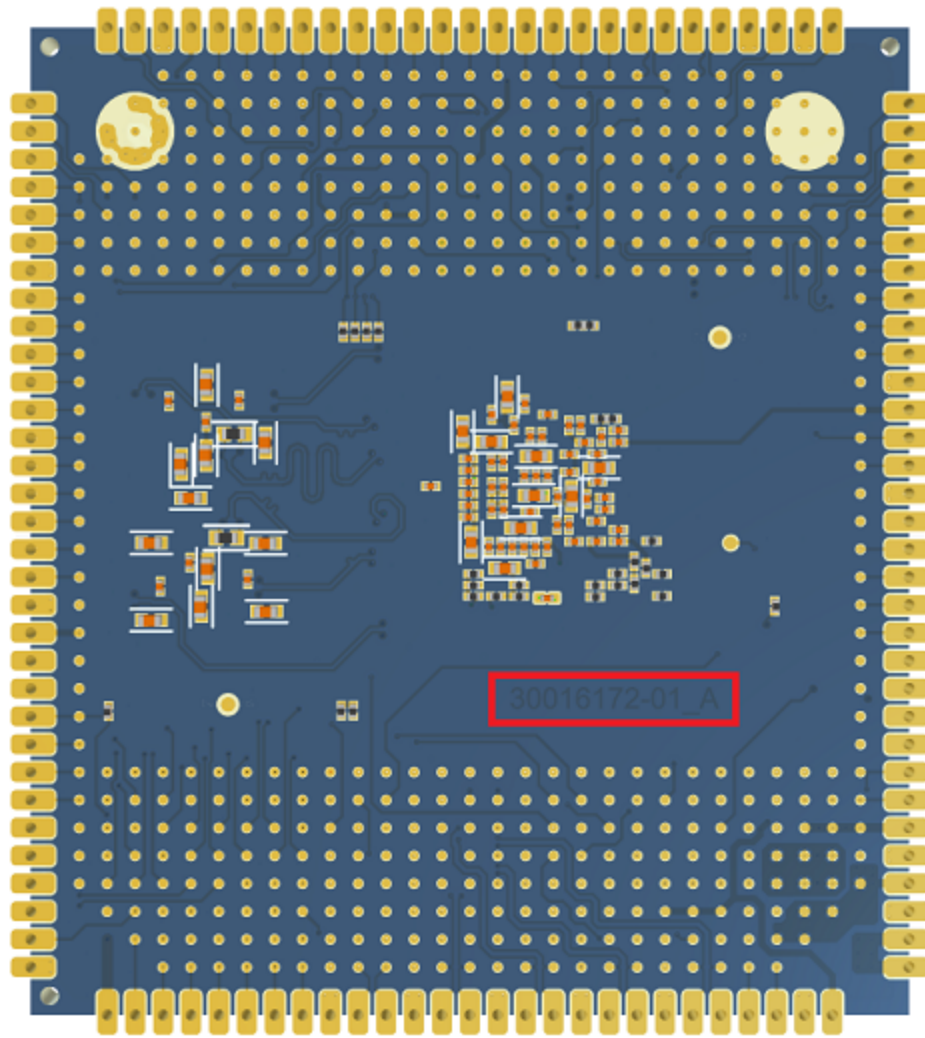
PAD	i.MX 8M Nano pin name	Version 1
		Multiplexing
AH7	LDO4	-
AJ10	LDO5	-
AN5	GPIO1_IO05	ALT0: GPIO1_IO05 ALT1: M7_NMI ALT5: CCM_PMIC_READY
K29	NC	-
F10	NC	-

PAD	i.MX 8M Nano pin name	Version 1
		Multiplexing
AG15	SD1_RESET_B	ALT0: USDHC1_RESET_B ALT1: INPUT=ENET1_TX_CLK/OUTPUT=CCM_ENET_REF_CLK_ROOT ALT3: I2C3_SCL ALT4: UART3_RTS_B ALT5: GPIO2_IO10
AG25	NC	-

Determine SOM version

To identify the module version, check the part number printed in the bottom side of the SOM:

- 30016**172**-xx represents version 1
- 30016**392**-xx represents version 2



Note Only version 2 of the ConnectCore 8M Nano SOM is available in quantity for mass production.

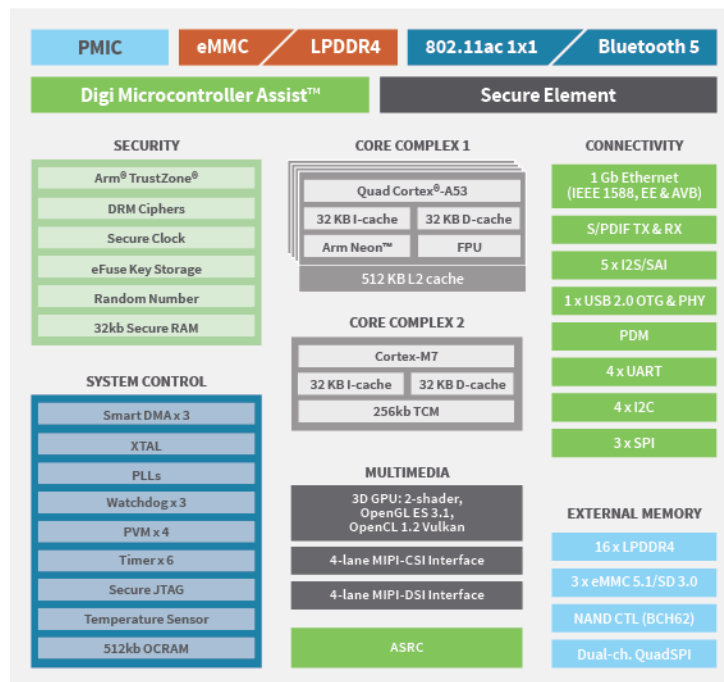
Variants

See the [ConnectCore 8M Nano product page](#) for information on available variants.

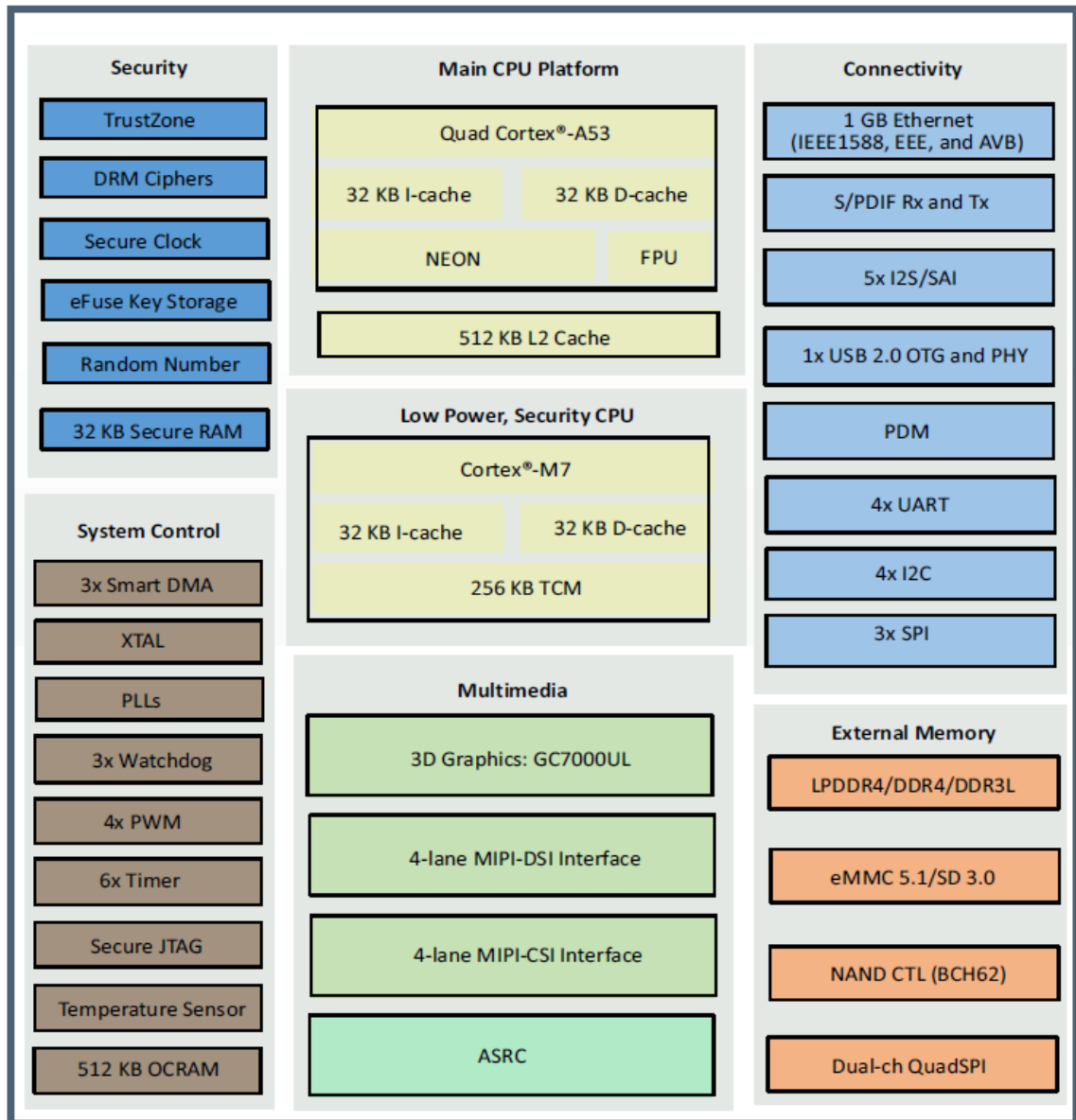
Block diagrams

The following figures show block diagrams of the ConnectCore 8M Nano module and of the NXP i.MX 8M Nano application processor.

ConnectCore 8M Nano module



NXP i.MX 8M Nano application processor



Power supply architecture

Input power supply

The ConnectCore for i.MX 8M Nano requires two primary power supply inputs: VSYS and VSYS2. These supply units are the input power supply to the on-module NXP PCA9450A power management IC (PMIC). Some of the PMIC regulators are internally dedicated to powering the module, while others power external circuitry.

The following table summarizes the PMIC regulators of the ConnectCore 8M Nano SOM:

PMIC Regulator	Power rail name	Input power supply	Internally used	Externally available	Comments
BUCK1	-	VSYS2	YES	NO	
BUCK2	-	VSYS2	YES	NO	
BUCK3	-	VSYS2	YES	NO	
BUCK4	3V3	VSYS	YES	YES	General purpose 3.3V power rail for external circuitry. Also used internally in the SOM.
BUCK5	1V8	VSYS2	YES	YES	General purpose 1.8V power rail for external circuitry. Also used internally in the SOM.
BUCK6	-	VSYS2	YES	NO	
LDO1	-	VSYS2	YES	NO	
LDO2	-	VSYS2	YES	NO	
LDO3	VDDA_1V8	VSYS2	YES	YES	Do not use this regulator externally unless otherwise noted.
LDO4	-	VSYS2	YES	NO	
LDO5	MUX_3V3_1V8	VSYS2	NO	YES	Dedicated regulator for powering external circuitry.

In addition to the input power supplies of the PMIC, other power domains of the SOM must be set externally. This allows flexibility in power management so the input voltage of the different interfaces can be adjusted.

The following table lists the input power rails that must be set externally to the SOM, together with the devices/power domains they power:

Input rail	Device powered	Internal power domains powered	Description
VCC_MCA	Micro Controller Assist	Full device	Input power supply for the on-module MCA. This power domain is mandatory.
VDD_USDHC2	i.MX 8M Nano CPU	NVCC_SD2	Input power supply for the USDHC2 interface. This interface is typically connected to a microSD socket, which also allows booting from the microSD card. Digi recommends you tie this power domain to a flexible power supply so it can work at its highest speed by adjusting input voltage level.
VDD_ENET	i.MX 8M Nano CPU	NVCC_ENET	Input power supply for ENET interface, including the MDIO bus.
VDD_UART	i.MX 8M Nano CPU	NVCC_UART	Input power supply for the UART interfaces: UART1, UART2, UART3 and UART4.
VDD_SAI1	i.MX 8M Mini CPU	NVCC_SAI1	Input power supply for the SAI1 interface. Only applies to i.MX 8M Mini; it is unconnected in the i.MX 8M Nano.

Electrical characteristics

Input power rails

The following table lists the electrical specifications of the input power rails:

Device	SOM power rail	Input voltage (V)			
		Min.	Typ.	Max.	
PMIC	VSYS	3.7	-	5.5	
	VSYS2	3.7	-	5.5	
MCA	VCC_MCA	TBD	-	3.6	
CPU	VDD_ENET	1.8 V mode	1.65	1.8	1.95
		2.5 V mode	2.25	2.50	2.75
		3.3 V mode	3.00	3.30	3.60
	VDD_USDHC2 VDD_UART	1.8 V mode	1.65	1.8	1.95
		3.3 V mode	3.00	3.30	3.60

Output power rails

The following table lists the electrical specifications of the output power rails:

Buck/Regulator	SOM power rail	Used internally in the SOM	Accuracy		Maximum output current (mA)	Slew rate
			Min	Max		
BUCK4	3V3	YES	-0.5%	+0.5%	3000	12.5 mV/us
BUCK5	1V8	YES	-0.5%	+0.5%	2000	12.5 mV/us
LDO3	VDDA_1V8	YES	-3%	+3%	300	15 mV/us
LDO5	MUX_3V3_1V8	NO	-3%	+3%	150	15 mV/us

-
- These parameters are defined at 25°C.
 - Note that the maximum output current involves both external and internal circuitry. For those regulators that are used internally in the SOM, the current available outside will be lower.
-

For a complete description of the electrical characteristics of the different output power rails (PMIC regulators), see the NXP PCA9540 Datasheet.

System power-up sequence

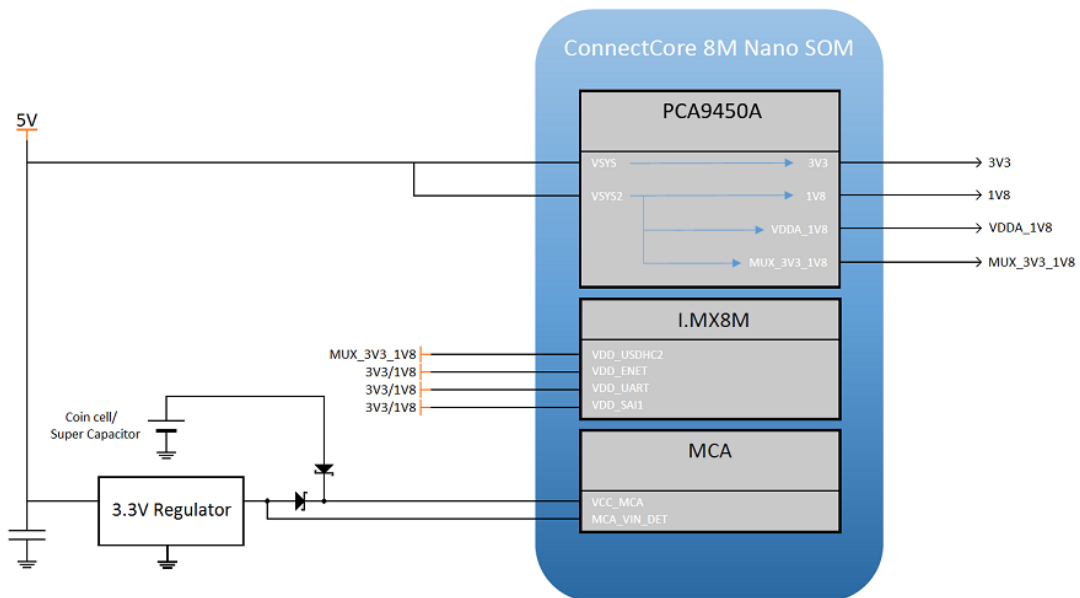
When the power supply is connected to the ConnectCore 8M Nano module, the PMIC and the MCA are the first components to be powered up. VSYS and VSYS2 are the PMIC input power supplies, while VCC_MCA is the Micro Controller Assist input power line:

- The MCA starts to run as soon as it is powered up. After a certain programmable time, it will release the PWR_ONline of the PMIC (PMIC power on/off).
- When the PMIC is switched on, it starts an initialization process as determined by its OTPs.

Finally, the reset line of the CPU, which is controlled by both the CPU and the MCA, is released.

Reference power architecture scheme

The following diagram represents the power architecture of the ConnectCore 8M Nano module in a typical application:



Bootstrap

The ConnectCore 8M Nano module can be configured to boot from different devices and interfaces as determined by the boot ROM.

BOOT_MODE [3]	BOOT_MODE [2]	BOOT_MODE [1]	BOOT_MODE [0]	Boot Mode
0	0	0	0	Boot from eFuses

BOOT_MODE [3]	BOOT_MODE [2]	BOOT_MODE [1]	BOOT_MODE [0]	Boot Mode
0	0	0	1	USB Serial Download
0	0	1	0	USDHC3: eMMC0
0	0	1	1	USDHC2: SD card
0	1	0	0	NAND 8-bit single device, 256 pages
0	1	0	1	NAND 8-bit single device, 512 pages
0	1	1	0	FlexSPI: 3B Read
0	1	1	1	FlexSPI: Hyperflash 3.0
1	0	0	0	eCSPI Boot

By default, none of the modes are configured inside the module. To configure the desired boot mode, you must drive BOOT_MODE[0:1] lines in the carrier board:

- To set high level, place a 4.7K pull-up to 1V8.
- To set low level, place a 100K pull-down to GND.

Wireless interfaces

The ConnectCore 8M Nano system-on-module combines a wireless local area network (WLAN) and Bluetooth dual solution to support SISO 1x1 IEEE802.11 a/b/g/n/ac WLAN standards and Bluetooth 5.0, enabling seamless integration of WLAN/Bluetooth and Low Energy technology.

The following sections include specifications for the wireless interfaces available on the ConnectCore 8M Nano module.

WLAN 802.11a/b/g/n/ac

The 2.4 GHz band on the ConnectCore 8M Nano module supports 20/40 MHz bandwidths, and the 5 GHz band supports 20/40/80 MHz bandwidths.

Modulation and data rates

The following tables list modulation values for the ConnectCore 8M Nano module, which supports the following WLAN standards:

Mode	Modulation & Coding	Rate
802.11b	DBPSK	1 Mbps
	DQPSK	2 Mbps
	CCK	5.5 Mbps
	CCK	11 Mbps
802.11g	BPSK-1/2	6 Mbps
	BPSK-3/4	9 Mbps
	QPSK-1/2	12 Mbps
	QPSK-3/4	18 Mbps
	16QAM-1/2	24 Mbps
	16QAM-3/4	36 Mbps
	64QAM-2/3	48 Mbps
	64QAM-3/4	54 Mbps
802.11n	BPSK-1/2	MCS0
	QPSK-1/2	MCS1
	QPSK-3/4	MCS2
	16QAM-1/2	MCS3
	16QAM-3/4	MCS4
	64QAM-2/3	MCS5
	64QAM-3/4	MCS6
	64QAM-5/6	MCS7
802.11ac	BPSK-1/2	MCS0
	QPSK-1/2	MCS1
	QPSK-3/4	MCS2
	16QAM-1/2	MCS3
	16QAM-3/4	MCS4
	64QAM-2/3	MCS5
	64QAM-3/4	MCS6
	64QAM-5/6	MCS7
	256QAM-3/4	MCS8
	256QAM-5/6	MCS9

Data rates**Data rate (Mbps) - Non Short Guard Interval (Non-SGI)**

Data rate (Mbps)		802.11b		802.11ga		802.11n		802.11ac		
Modulation		DBPSK	CCK	BPSK-1/2	64QAM-3/4	BPSK-1/2	64QAM-5/6	BPSK-1/2	64QAM-5/6	256QAM-5/6
		1 Mbps	11 Mbps	6 Mbps	54 Mbps	MCS0	MCS7	MCS0	MCS7	MCS9
2.4 GHz	HT20	1	11	6	54	6.5	65	6.5	65	-
	HT40	-	-	-	-	13.5	135	13.5	135	180
5 GHz	HT20	-	-	6	54	6.5	65	6.5	65	-
	HT40	-	-	-	-	13.5	135	13.5	135	180
	HT80	-	-	-	-	-	-	29.3	292.5	390

Data rate (Mbps) - Short Guard Interval (SGI)

Data rate (Mbps)		802.11b		802.11ga		802.11n		802.11ac		
Modulation		DBPSK	CCK	BPSK-1/2	64QAM-3/4	BPSK-1/2	64QAM-5/6	BPSK-1/2	64QAM-5/6	256QAM-5/6
		1 Mbps	11 Mbps	6 Mbps	54 Mbps	MCS0	MCS7	MCS0	MCS7	MCS9
2.4 GHz	HT20	1	11	6	54	7.2	72.2	7.2	72.2	-
	HT40	-	-	-	-	15	150	15	150	200
5 GHz	HT20	-	-	6	54	7.2	72.2	7.2	72.2	-
	HT40	-	-	-	-	15	150	15	150	200
	HT80	-	-	-	-	-	-	32.4	325	433.3

RF channels

The ConnectCore 8M Nano module supports the following frequency bands.

RF Band	Channel BW	Channel Spacing	Channel Number (Center freq. MHz)
2.4 GHz	20 MHz	5 MHz	1(2412), 2(2417), 3(2422), 4(2427), 5(2432), 6(2437), 7(2442), 8(2447), 9(2452), 10(2457), 11(2462), 12(2467), 13(2472), 14(2484)
	40 MHz	5 MHz	3(2422), 11(2462)
5 GHz	20 MHz	20 MHz	36(5180), 40(5200), 44(5220), 48(5240), 52(5260), 56(5280), 60(5300), 64(5320), 100(5500), 104(5520), 108(5540), 112(5560), 116(5580), 120(5600), 124(5620), 128(5640), 132(5660), 136(5680), 140(5700), 144(5720), 149(5745), 153(5765), 157(5785), 161(5805), 165(5825)
	40 MHz	40 MHz	38(5190), 46(5230), 54(5270), 62(5310), 102(5510), 110(5550), 118(5590), 126(5630), 134(5670), 142(5710), 151(5755), 159(5795)
	80 MHz	80 MHz	42(5210), 58(5290), 106(5530), 122(5610), 138(5690), 155(5775)

2.4 GHz Band Channels (20 MHz BW)

Channel #	Center Freq. (MHz)	Europe (ETSI)	US (FCC)	Japan
1	2412	✓	✓	✓
2	2417	✓	✓	✓
3	2422	✓	✓	✓
4	2427	✓	✓	✓
5	2432	✓	✓	✓
6	2437	✓	✓	✓
7	2442	✓	✓	✓
8	2447	✓	✓	✓
9	2452	✓	✓	✓
10	2457	✓	✓	✓
11	2462	✓	✓	✓
12	2467	✓	No	✓
13	2472	✓	No	✓
14	2484	No	No	802.11b only

5 GHz Band Channels (20 MHz BW)

Channel #	Center Freq. (MHz)	Europe (ETSI)	US (FCC)	Japan
36	5180	Indoors	✓	✓
40	5200	Indoors	✓	✓
44	5220	Indoors	✓	✓
48	5240	Indoors	✓	✓
52	5260	Indoors / DFS / TPC	DFS	DFS / TPC
56	5280	Indoors / DFS / TPC	DFS	DFS / TPC
60	5300	Indoors / DFS / TPC	DFS	DFS / TPC
64	5320	Indoors / DFS / TPC	DFS	DFS / TPC
100	5500	DFS / TPC	DFS	DFS / TPC
104	5520	DFS / TPC	DFS	DFS / TPC
108	5540	DFS / TPC	DFS	DFS / TPC
112	5560	DFS / TPC	DFS	DFS / TPC

Channel #	Center Freq. (MHz)	Europe (ETSI)	US (FCC)	Japan
116	5580	DFS / TPC	DFS	DFS / TPC
120	5600	No Access	DFS	DFS / TPC
124	5620	No Access	DFS	DFS / TPC
128	5640	No Access	DFS	DFS / TPC
132	5660	DFS / TPC	DFS	DFS / TPC
136	5680	DFS / TPC	DFS	DFS / TPC
140	5700	DFS / TPC	DFS	DFS / TPC
144	5720	No Access	DFS	DFS / TPC
149	5745	SRD	✓	No Access
153	5765	SRD	✓	No Access
157	5785	SRD	✓	No Access
161	5805	SRD	✓	No Access
165	5825	SRD	✓	No Access

Note

DFS = Dynamic Frequency Selection

TPC = Transmit Power Control

SRD = Short Range Devices

Receive sensitivity

The following table lists typical receive sensitivity values for the ConnectCore 8M Nano module.

Mode		802.11b		802.11ga		802.11n		802.11ac		
Modulation		DBPSK	CCK	BPSK-1/2	64QAM-3/4	BPSK-1/2	64QAM-5/6	BPSK-1/2	64QAM-5/6	256QAM-5/6
		1 Mbps	11 Mbps	6 Mbps	54 Mbps	MCS0	MCS7	MCS0	MCS7	MCS9
2.4 GHz	HT20	TBD	TBD	TBD	TBD	TBD	TBD	TBD	TBD	TBD
	HT40	TBD	TBD	TBD	TBD	TBD	TBD	TBD	TBD	TBD
5 GHz	HT20	TBD	TBD	TBD	TBD	TBD	TBD	TBD	TBD	TBD
	HT40	TBD	TBD	TBD	TBD	TBD	TBD	TBD	TBD	TBD
	HT80	TBD	TBD	TBD	TBD	TBD	TBD	TBD	TBD	TBD

Note Specification is subject to change

Transmit power

The following table lists nominal transmit power values for the ConnectCore 8M Nano module.

RF band	Channel BW	Standard	Output power (dBm)
2.4 GHz	20 MHz	802.11b	TBD
	20 MHz	802.11g	TBD
	20 MHz	802.11n	TBD
	40 MHz	802.11n	TBD
	40 MHz	802.11ac	TBD
5 GHz	20 MHz	802.11a	TBD
	20 MHz	802.11n	TBD
	40 MHz	802.11n	TBD
	40 MHz	802.11ac	TBD
	80 MHz	802.11ac	TBD

Note Due to manufacturing tolerance, these nominal output powers may be reduced up to 3 dB.

Bluetooth

The ConnectCore 8M Nano module supports both Bluetooth and Bluetooth Low Energy protocols:

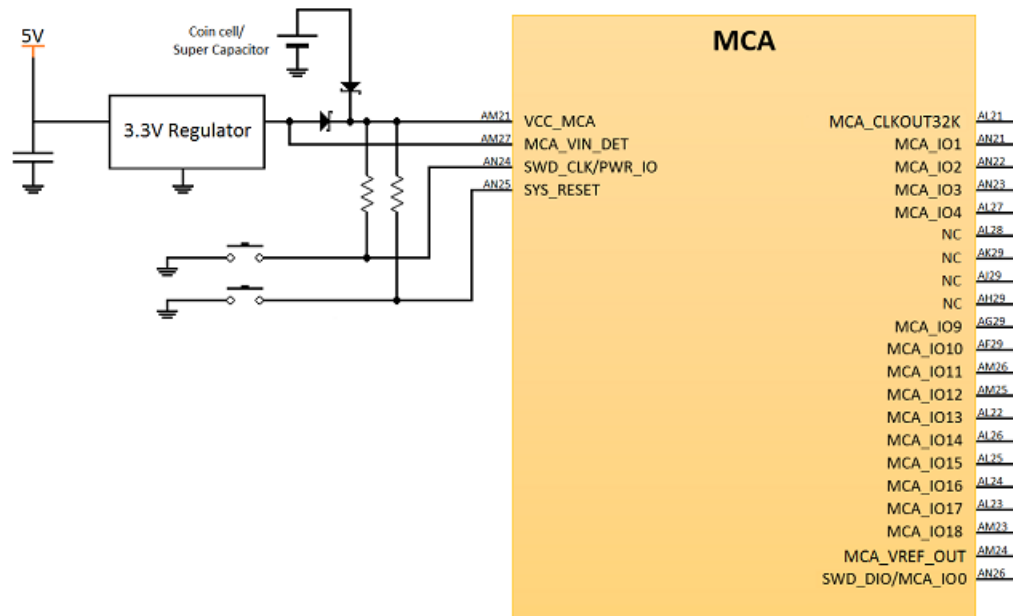
- Bluetooth 5.0; backwards compatible with Bluetooth 1.X, 2.X + Enhanced Data Rate, Bluetooth 3.X, Bluetooth 4.X class 1 and class 2 power-level transmissions.
- Integrated WLAN-Bluetooth coexistence.

Micro Controller Assist (MCA)

The Micro Controller Assist, or MCA, is a small microcontroller that is deeply integrated into the design of the ConnectCore 8M Nano module. It assists the i.MX 8M Nano processor with advanced operations related to power management, security, and system reliability. The functionality provided by the MCA includes:

- Advanced power management such as power key button, wake up sources, and PMIC control in low power modes.
- Peripheral extensions such as RTC, watchdog, and tamper pins.

The MCA and the i.MX 8M Nano are connected through an I2C interface and an interrupt line. The microcontroller provides up to 15 general purpose IOs that can be configured with different modes to provide functionality such as digital input/output or ADC.



MCA reset control

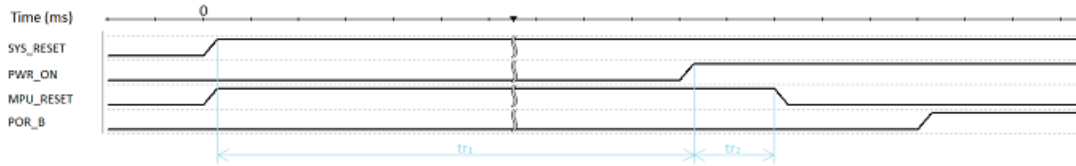
The MCA, in cooperation with the PMIC, controls the reset line of the i.MX 8M Nano processor. The SYS_RESET pin is the main reset input of the ConnectCore 8M Nano module. This pin is a pseudo open-drain with an internal pull up. Asserting the SYS_RESET line low sets the MCA into reset state, and it remains in this state until the line is de-asserted.

During system initialization, the MCA performs the following actions:

- Asserts the PMIC on/off line (PWR_ON) low for a configurable time (0 to 255 ms with a default value of 50 ms). This powers the PMIC off, switching off all regulated outputs of the PMIC. You can disable this power cycle by setting the timer to 0.
- Asserts the PMIC on/off line high to power the system on.
- Keeps the reset line of the CPU low for a configurable time.
- Releases the reset line of the CPU to allow firmware execution on the i.MX 8M Nano processor.

Note The CPU reset line is also connected to the PMIC. The PMIC won't release this line until it is switched on and the entire starting sequence is finished (a few ms after the latest regulator is turned on). This means that even if the MCA releases the reset line before the PMIC is ready, the CPU won't go out of reset.

The following time diagram represents the reset sequence:



Where, by default:

- $tr_1 = 35 \text{ ms}$
- $tr_2 = 2 \text{ ms}$

See [Electrical characteristics](#) for more information.

MCA IOs

The ConnectCore 8M Nano MCA provides up to 15 configurable IOs.

Because the general purpose IOs do not incorporate internal pull-ups or pull-downs, you may have to add these resistors on the carrier board.

The following table lists all available MCA IOs with their configurable capabilities:

MCA IO	Pad name (LGA / Castellated pads)	Digital I/O	IRQ capable	ADC	32kHz clock	1.2 Vref
MCA_VREF_OUT	AM24	YES	YES	YES		YES
MCA_CLKOUT32K	AL21				YES	
SWD_DIO/MCA_IO0	AN26 / 57	YES	YES			
MCA_IO1	AN21 / 52	YES	YES	YES		
MCA_IO2	AN22 / 53	YES	YES	YES		
MCA_IO3	AN23 / 54	YES	YES	YES		
MCA_IO4	AL27 / 61	YES	YES	YES		
MCA_IO9	AG29 / 66	YES	YES			
MCA_IO10	AF29 / AF29	YES	YES			
MCA_IO11	AM26	YES	YES	YES		
MCA_IO12	AM25	YES	YES	YES		
MCA_IO13	AL22	YES	YES			
MCA_IO14	AL26	YES	YES	YES		
MCA_IO15	AL25	YES	YES			
MCA_IO16	AL24	YES	YES			

MCA IO	Pad name (LGA / Castellated pads)	Digital I/O	IRQ capable	ADC	32kHz clock	1.2 Vref
MCA_IO17	AL23	YES	YES			
MCA_IO18	AM23	YES	YES	YES		

MCA digital IOs

All MCA IOs can be configured as digital inputs/outputs, which are powered from the VCC_MCA power rail.

The digital outputs preserve their output values in all operating modes, except in power off and coin cell modes, where the IOs are reconfigured to high impedance state to preserve power.

MCA IRQs

You can configure the MCA IOs as interrupt inputs, using the MCA software to configure the active edge of the interrupt: rising, falling, or both. The firmware provides a configurable debounce filter for each GPIO that improves noise immunity and filters rebounds on push buttons. When one or more MCA IRQs are activated, the MCA interrupts the main processor through the corresponding IRQ line, signaling the active IRQs in the IRQ status registers. The IRQ inputs can wake the system from any low power mode (suspend or power off).

MCA analog-to-digital converter (ADC)

Many of the MCA IOs can be configured as analog-to-digital channels. The index of the MCA ADC channels corresponds to the index of the MCA IO. For example, the ADC channel 1 corresponds to the MCA_IO1, the ADC channel 2 to the MCA_IO2, and so on.

The result of the ADC conversion for a given input voltage is inversely proportional to the reference voltage of the ADC. For the MCA ADCs, the reference voltage corresponds to the VCC_MCA voltage. Note that the i.MX 8M Nano ADCs have a different reference voltage. The MCA ADC provides 12-bit resolution with right-justified, unsigned format output. These ADCs are suitable for low-frequency sampling (under 10 Hz). You can configure the MCA ADC lines to act as an analog window comparator and generate an IRQ depending on the voltage level in the input. This feature allows applications to be notified of this event instead of needing to periodically poll the input for its value.

MCA external voltage reference

The MCA_VREF_OUT pin provides an accurate voltage reference of 1.2 V that can be used to provide a reference voltage for sensors and/or analog devices (such as comparators or ADCs).

The MCA_VREF_OUT pin is disabled by default. You must use software to configure the pin for external voltage reference.

Note that the voltage reference continues normal operation in low-power modes (suspend and power off). If the voltage reference is enabled during normal operation but is not required for low power operation, Digi recommends you use the software to disable it before entering low power in order to minimize the power consumption, and re-enable it when resuming normal operation.

MCA external 32 kHz clock output

The MCA_CLKOUT32K pin is a 32.768 Hz square wave output that can be used as clock input by peripherals requiring a low-frequency, high-accuracy clock.

The 32 kHz clock output continues normal operation in low power modes (suspend and power off). Therefore, if the 32 kHz clock output is enabled during normal operation but is not required for low power operation, Digi recommends you use the software to disable it before entering low power in order to minimize power consumption, and re-enable it when resuming normal operation.

MCA watchdog

The MCA implements a watchdog timer in its firmware. The MCA watchdog resets the system, or only the i.MX 8M Nano CPU, if the software running on the main processor fails to execute properly and does not reset the watchdog timer on time.

The main features of the MCA watchdog include:

- Configurable timeout between 1 and 255 seconds.
- Configurable to generate interrupt or system reset.
- Configurable to generate full-system reset (including the MCA itself) or CPU-only reset. Full-system reset can include a PMIC off/on, depending on the device configuration.

MCA real-time clock

The MCA implements a real-time clock (RTC) in its firmware. The i.MX 8M Nano internal CPU RTC is disabled by default because the MCA RTC is preferred due to its superior power consumption efficiency. To preserve the date during power-off, connect a coin cell battery following the design notes in [Power supply architecture](#).

The main features of the MCA RTC include:

- Date/time registers to keep the system time (backed up by the coin cell battery).
- Programmable alarm to generate an interrupt. You can use the alarm to wake the system from low power modes (suspend and power off).

MCA pulse width modulation (PWM)

Pulse-width modulation (PWM) is a technique that modifies the duty cycle of a pulsing signal to encode information or to control the amount of energy provided to a charge. The MCA implements pulse-width modulation in its firmware.

The MCA on the ConnectCore 8M Nano system-on-module provides three PWM controllers. Each controller has several channels and each channel maps to one MCA IO pin:

PWM controller	Number of channels	Channel	IO
PWM0	6	0	MCA_IO0
		1	MCA_IO12
		2	MCA_IO15
		3	MCA_IO16
		4	MCA_IO17
		5	MCA_IO18

Keypad

The MCA implements a keypad controller capable of decoding up to 64 key switches in a matrix keyboard of maximum 8 rows x 8 columns. The controller detects each key press and release, and implements a configurable debounce filter that prevents the detection of undesirable events caused by switch bouncing. Additionally, the MCA can wake the system from low power modes (suspend to RAM and power off) from the keyboard if configured to do so.



The controller buffers the events in its internal memory, making it unlikely that events are lost due to heavy system load or interrupt latency. A standard Linux input driver is provided to access the keyboard events from user space applications.

LED controller

The MCA LED controller implements a 9-channel LED driver with independent brightness control and blink control. The MCA LED module provides the following features:

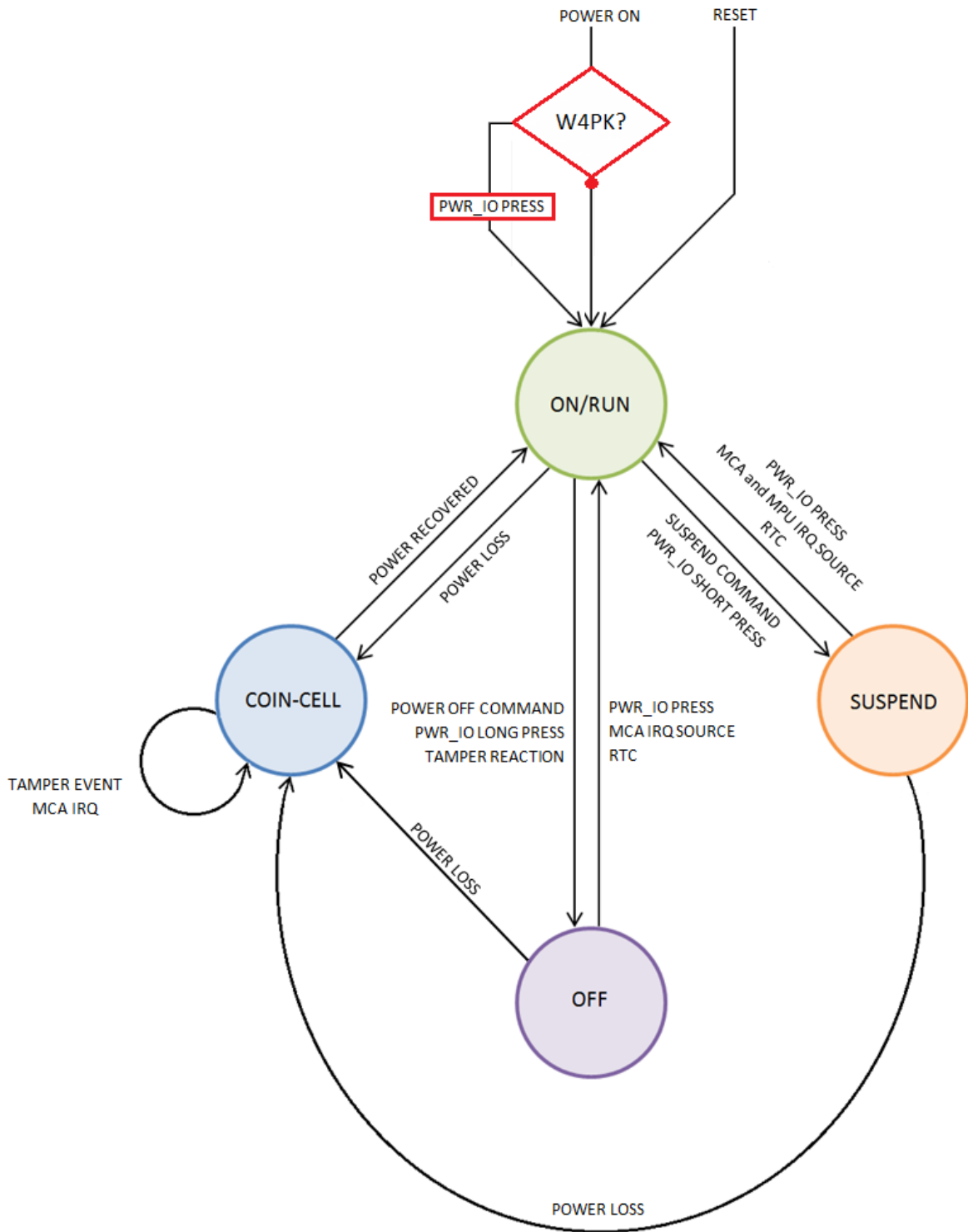
- Up to nine channels.
- Implemented on standard MCA IOs. This means an external transistor-driver may be needed, depending on the LED current sink.
- Each channel includes:
 - Brightness control (20 levels).
 - Blink control (configurable on/off periods).
 - Low-power operation (WIP) with control of the LED state (on/off/blink).
- Standard Linux LED driver with configuration through device tree and access through sysfs.

MCA power management

The MCA plays a key role in the power management activities of the ConnectCore 8M Nano module. In cooperation with the i.MX 8M Nano processor, the MCA controls the power states of the PMIC and provides multiple wake up sources to transition between power modes. It also allocates dedicated signals to capture power events and indicate the system power state, allowing control of external power sources and indicators.

MCA power modes

The module provides four different power operating modes: ON/RUN, OFF, SUSPEND, and COIN-CELL. The following figure shows the state diagram and the events to switch between states:



W4PK mode

You can configure boot mode using the `mca_config_tool -boot_mode` option.

If 'boot on power' (BOP) is chosen, the module will enter in ON state as soon as power is applied.

If 'wait for power key' (W4PK) is chosen, the module will wait for a PWR_IO press before entering in ON state when power is applied.

ON/RUN mode

In this mode, the PMIC is running at full power so all voltage regulators are generating the nominal voltage for this mode. The CPU reset line is de-asserted and the processor is running at normal speed, performing DVFS if the system was configured to do so. In this state, the PWR_ON line is asserted high, indicating that the module is ON.

Note that the specific state of the regulators (on/off) and the voltage in this mode are controlled by the firmware running on the i.MX 8M Nano processor. The PMIC starts with the default settings configured on the OTP area, but once the software takes control it applies the specific configuration implemented in the firmware.

SUSPEND mode

The suspend mode (also known as suspend-to-RAM mode) is the low-power mode that allows the module to preserve RAM content. When the module enters SUSPEND, the following actions take place:

- The processor goes into low power, disabling as much functionality as possible and keeping active only the peripherals configured to wake the system from SUSPEND.
- The DDR memory is set to self-refresh mode to preserve its contents while reducing power consumption.
- The PMIC goes into standby mode, configuring the regulators for this specific mode.
- The MCA goes into sleep mode, keeping active the peripherals that always run in low power modes (like the RTC) and those configured to wake up the system (such as IRQs and power IO). MCA GPIOs configured as outputs also keep their value.

OFF mode

The module enters OFF mode after a power-off event. In this mode:

- The PMIC is set to the OFF state and all the voltage regulators, except VSNVS, are switched off.
- The PWR_ON line is asserted low, indicating that the module is in OFF state.
- The MCA goes into sleep mode, keeping active the peripherals that always run in low-power modes (like the RTC) and those configured to wake up the system (such as IRQs and power IO).

COIN-CELL mode

In COIN-CELL mode, only the MCA is powered from the coin-cell battery, leaving the rest of the module power inputs switched off. In this mode, the MCA remains in sleep mode, updating the RTC and monitoring the following events:

- Tamper events that would be registered in the NVRAM memory of the MCA and would assert the tamper output if enabled.
- Power in MCA_VIN_DET, which indicates that power is reconnected to the system and it can be powered-on.

MCA power IO signal / power button

The MCA provides a signal (PWR_IO) to detect external events that trigger a transition between the different power modes described in [MCA power modes](#). The pin has wake-up interrupt/event capabilities, it is active low, and it does not provide an internal pull-up. The pull-up resistor, typically a 100K resistor to VCC_MCA, must be added externally. This signal is ideal for connecting a power button or the output of a peripheral that controls the power state of the module and its transitions. The firmware provides a configurable debounce filter to improve noise immunity and filter rebounds on push buttons. When the PWR_IO signal is asserted low, one of the following events occurs:

- If the duration of the assertion is short (time configurable by the user) the system will trigger an interrupt that, commonly, indicates the host processor that the system must enter suspend state. When the system is in a low-power mode, the effect of a short assertion of this line is:
 - While in suspend state, it will wake the system.
 - While in OFF state, it will boot the system.
- If the low-pulse duration is long enough (again, time configurable by the user) the system will trigger the power-off interrupt to tell the host processor to start a transition to OFF state.
- If the system does not enter OFF state before a configurable guard time expires, the MCA will automatically set the OFF state unless the user explicitly cancels it by writing to the `mca_cancel_pwroff` entry in the sysfilesystem.

MCA_VIN_DET

The on-module MCA is powered from a dedicated external power rail, VCC_MCA. As recommended in the reference design (see [Power supply architecture](#)), this power supply is provided by an external 3.3 V regulator. If the system requires time to be kept when there is no power, you must use a coin-cell battery to power the MCA while it keeps the RTC up to date in low-power mode. The MCA uses the MCA_VIN_DET input to monitor the input voltage of the whole system and automatically switch to RTC mode when it is disconnected, to keep the system time and save power.

MCA_VIN_DET is a digital, not analog, line. This means that the transition time between high and low values is crucial to optimize the transitory time to RTC mode. Digi recommends using external digital logic ensure a fast transition on this line.

MCA firmware update

The i.MX 8M Nano can update the firmware of the MCA. Additional details will be provided in the *MCA software documentation*.

CryptoAuthentication device

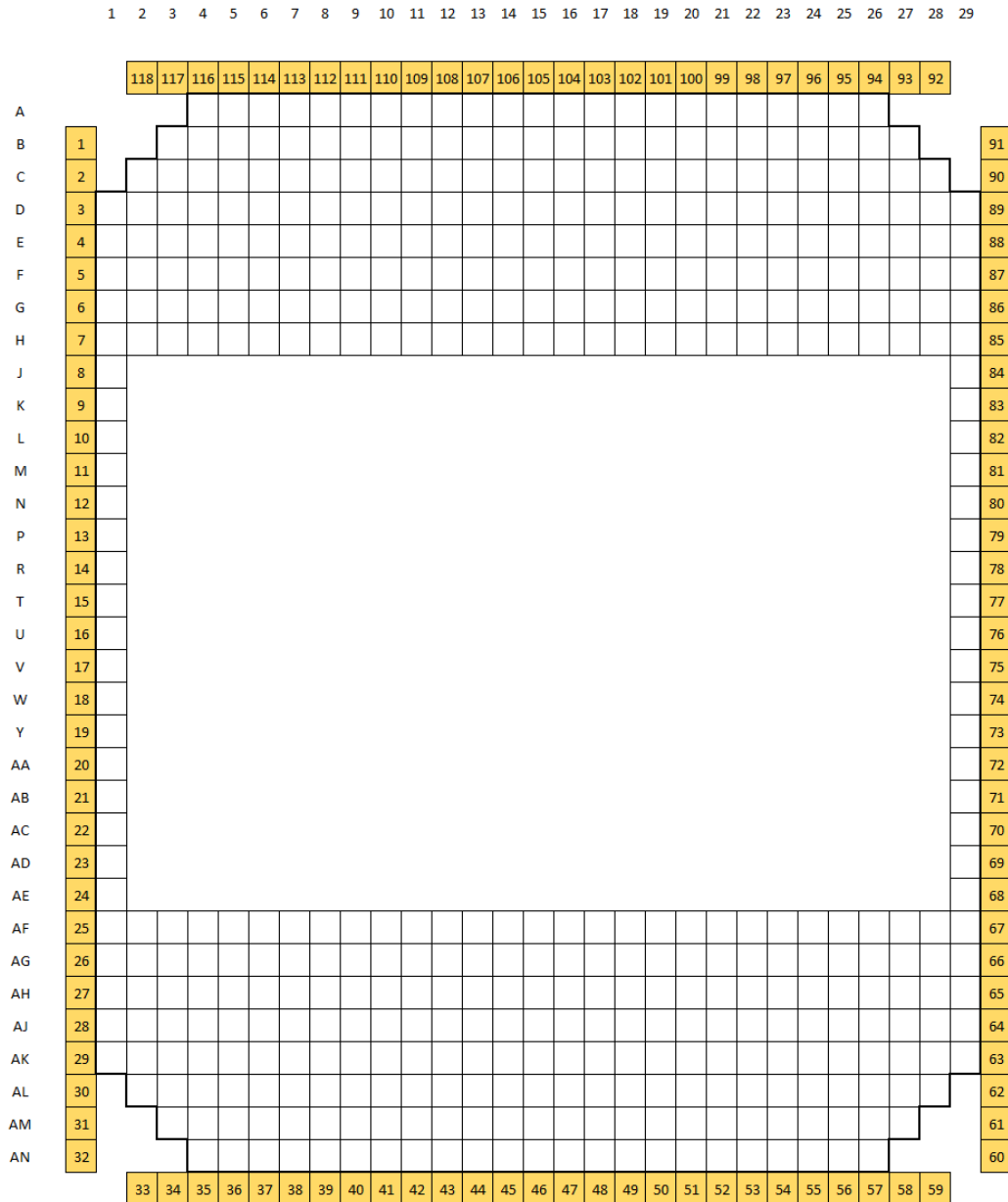
The ConnectCore 8M Nano module includes an Atmel CryptoAuthentication Device. This is a highly secure cryptographic co-processor with secure hardware-based key storage. It includes the following features:

- Performs high-speed public key (PKI) algorithms (ECDSA and ECDH).NIST standard P256 elliptic curve support.
- SHA-256 hash algorithm with HMAC option.
- 256-bit key length.
- Storage for up to 16 keys.
- Two high-endurance monotonic counters.

- Guaranteed unique 72-bit serial number.
- Internal High-quality FIPS Random Number Generator (RNG).
- 10 Kb EEPROM memory.

Module pinout and IOMUX table

The ConnectCore 8M Nano System-on-Module has a mixed pad structure. It provides 474 LGA pads and 118 peripheral castellated pads. The following diagram shows the general layout:



External signals and pin multiplexing

The following table lists the I/O multiplexing (IOMUX) of the ConnectCore 8M Nano SOM. Most of the castellated pads are associated with (connected to) an LGA pad; this relationship is highlighted in the "Associated LGA Pad name" column.

The Digi ConnectCore Smart IOMUX tool can dramatically simplify pin configuration and resolution. You can enter the list of interfaces required by your project and use the Smart IOMUX graphical interface to mock up configuration options, resulting in full pin assignment and device tree snippets that match your desired functionality. See the [Smart IOMUX User Guide](#) for more information and download instructions.

Note Some pads will change in the next SOM revision. See the comments column for details.

The microprocessor used on this module, like all CMOS devices, can be driven into a latch-up condition if any I/O pin is driven outside of its associated power rail. Care must be taken to:

- Never drive an I/O pin beyond its positive rail or below ground.
- Never drive an I/O pin from an external power source during the power-on or reset sequences.
- Never hot-swap the module or interrupt its ground connection to external circuitry.



Latch-up is a condition that can cause excessive current draw and result in excessive heating of the microprocessor or its power supplies. This excessive heating can permanently damage the microprocessor and/or its supporting components.

When an external supply is used on the carrier board supporting the ConnectCore 8M Nano module, this supply **MUST NOT** back drive i.MX 8M Nano I/Os while their power rails are not enabled. For example, this can happen when an external 3.3 V supply is available on the carrier board and this supply powers components driven by i.MX 8M Nano I/Os. In this case, Digi recommends you enable the external power supply after the internal 3.3 V is enabled, or add the necessary protection circuitry to avoid back voltage (leakage).

Castellated pad signals and multiplexing

Castellated pad number	Associated LGA pad name	ConnectCore 8M Nano signal name	i.MX 8M Nano pin name	Multiplexing <i>(green value represents default functionality)</i>	Power group	Comments
1	E4	USDHC2_RESET_B	SD2_RESET_B	ALT0: USDHC2_RESET_B ALT5: GPIO2_IO19	VDD_USDHC2	
2	E3	GPIO3_IO23	SAI5_RXD2	ALT0: SAI5_RX_DATA2 ALT3: SAI5_TX_BCLK ALT4: PDM_BIT_STREAM2 ALT5: GPIO3_IO23	3V3	
3	F3	USDHC2_WP	SD2_WP	ALT0: USDHC2_WP ALT5: GPIO2_IO20 ALT6: CORESIGHT_EVENTI	VDD_USDHC2	
4	G2	USDHC2_CD_B	SD2_CD_B	ALT0: USDHC2_CD_B ALT5: GPIO2_IO12	VDD_USDHC2	
5	F1	USDHC2_CMD	SD2_CMD	ALT0: USDHC2_CMD ALT1: SAI5_RX_BCLK ALT2: ECSP12_MOSI ALT3: UART4_TX ALT4: PDM_CLK ALT5: GPIO2_IO14	VDD_USDHC2	
6	G1	USDHC2_DATA0	SD2_DATA0	ALT0: USDHC2_DATA0 ALT1: SAI5_RX_DATA0 ALT2: I2C4_SDA ALT3: UART2_RX ALT4: PDM_BIT_STREAM0 ALT5: GPIO2_IO15	VDD_USDHC2	

Castellated pad number	Associated LGA pad name	ConnectCore 8M Nano signal name	i.MX 8M Nano pin name	Multiplexing (green value represents default functionality)	Power group	Comments
7	H1	USDHC2_DATA1	SD2_DATA1	ALT0: USDHC2_DATA1 ALT1: SAI5_TX_SYNC ALT2: I2C4_SCL ALT3: UART2_TX ALT4: PDM_BIT_STREAM1 ALT5: GPIO2_IO16	VDD_USDHC2	
8	J1	USDHC2_DATA2	SD2_DATA2	ALT0: USDHC2_DATA2 ALT1: SAI5_TX_BCLK ALT2: ECSPi2_SS0 ALT3: SPDIF1_OUT ALT4: PDM_BIT_STREAM2 ALT5: GPIO2_IO17	VDD_USDHC2	
9	K1	USDHC2_DATA3	SD2_DATA3	ALT0: USDHC2_DATA3 ALT1: SAI5_TX_DATA0 ALT2: ECSPi2_MISO ALT3: SPDIF1_IN ALT4: PDM_BIT_STREAM3 ALT5: GPIO2_IO18	VDD_USDHC2	
10	L1	USDHC2_CLK	SD2_CLK	ALT0: USDHC2_CLK ALT1: SAI5_RX_SYNC ALT2: ECSPi2_SCLK ALT3: UART4_RX ALT4: SAI5_MCLK ALT5: GPIO2_IO13	VDD_USDHC2	
11	M1	GND				
12	N1	VDD_USDHC2				

Castellated pad number	Associated LGA pad name	ConnectCore 8M Nano signal name	i.MX 8M Nano pin name	Multiplexing (green value represents default functionality)	Power group	Comments
13	P1	UART3_TX	ECSPI1_MOSI	ALT0: ECSPI1_MOSI ALT1: UART3_TX ALT2: I2C1_SDA ALT3: SAI5_RX_BCLK ALT5: GPIO5_IO07	3V3	
14	R1	UART3_RX	ECSPI1_SCLK	ALT0: ECSPI1_SCLK ALT1: UART3_RX ALT2: I2C1_SCL ALT3: SAI5_RX_SYNC ALT5: GPIO5_IO06	3V3	
15	T1	GND				
16	U1	NC				
17	V1	I2C4_SCL	I2C4_SCL	ALT0: I2C4_SCL ALT1: PWM2_OUT ALT3: ECSPI2_MISO ALT5: GPIO5_IO20	1V8	
18	W1	I2C4_SDA	I2C4_SDA	ALT0: I2C4_SDA ALT1: PWM1_OUT ALT3: ECSPI2_SS0 ALT5: GPIO5_IO21	1V8	
19	Y1	GPIO5_IO05	SPDIF_EXT_CLK	ALT0: SPDIF1_EXT_CLK ALT1: PWM1_OUT ALT5: GPIO5_IO05	3V3	

Castellated pad number	Associated LGA pad name	ConnectCore 8M Nano signal name	i.MX 8M Nano pin name	Multiplexing (green value represents default functionality)	Power group	Comments
20	AA1	GPIO1_IO00	GPIO1_IO00	ALT0: GPIO1_IO00 ALT1: CCM_ENET_PHY_REF_CLK_ROOT ALT5: CCM_REF_CLK_32K ALT6: CCM_EXT_CLK1	3V3	
21	AB1	NC				
22	AC1	NC				
23	AD1	NC				
24	AE1	NC				
25	AF1	GPIO5_IO04	SPDIF_RX	ALT0: SPDIF1_IN ALT1: PWM2_OUT ALT5: GPIO5_IO04	3V3	
26	AG1	GPIO5_IO03	SPDIF_TX	ALT0: SPDIF1_OUT ALT1: PWM3_OUT ALT5: GPIO5_IO03	3V3	
27	AH1	1V8				
28	AJ1	GND				
29	AK1	3V3				
30	-	GND				
31	-	VSYS2				
32	-	VSYS2				
33	-	VSYS				

Castellated pad number	Associated LGA pad name	ConnectCore 8M Nano signal name	i.MX 8M Nano pin name	Multiplexing (green value represents default functionality)	Power group	Comments
34	-	GND				
35	AN4	GPIO1_IO01	GPIO1_IO01	ALT0: GPIO1_IO01 ALT1: PWM1_OUT ALT5: CCM_REF_CLK_24M ALT6: CCM_EXT_CLK2	3V3	
36	AN5	GPIO1_IO04	GPIO1_IO04	ALT0: GPIO1_IO04 ALT1: USDHC2_VSELECT ALT5: SDMA1_EXT_EVENT1	3V3	The function of this pin depends on the ConnectCore 8M Nano SOM version. For more information, see SOM versions .
37	AN6	MIPI_DSI_CLK_N	MIPI_DSI_CLK_N		VDDA_1V8	
38	AN7	MIPI_DSI_CLK_P	MIPI_DSI_CLK_P		VDDA_1V8	
39	AN8	GND				
40	AN9	MIPI_DSI_DATA0_N	MIPI_DSI_D0_N		VDDA_1V8	
41	AN10	MIPI_DSI_DATA0_P	MIPI_DSI_D0_P		VDDA_1V8	
42	AN11	GND				
43	AN12	MIPI_DSI_DATA1_N	MIPI_DSI_D1_N		VDDA_1V8	
44	AN13	MIPI_DSI_DATA1_P	MIPI_DSI_D1_P		VDDA_1V8	

Castellated pad number	Associated LGA pad name	ConnectCore 8M Nano signal name	i.MX 8M Nano pin name	Multiplexing (green value represents default functionality)	Power group	Comments
45	AN14	GND				
46	AN15	MIPI_DSI_DATA2_N	MIPI_DSI_D2_N		VDDA_1V8	
47	AN16	MIPI_DSI_DATA2_P	MIPI_DSI_D2_P		VDDA_1V8	
48	AN17	GND				
49	AN18	MIPI_DSI_DATA3_N	MIPI_DSI_D3_N		VDDA_1V8	
50	AN19	MIPI_DSI_DATA3_P	MIPI_DSI_D3_P		VDDA_1V8	
51	AN20	GND				
52	AN21	MCA_IO1			VCC_MCA	
53	AN22	MCA_IO2			VCC_MCA	
54	AN23	MCA_IO3			VCC_MCA	
55	AN24	SWD_CLK/PWR_IO			VCC_MCA	Input power ON/OFF line of the module (active low).
56	AN25	SYS_RESET			VCC_MCA	Input reset line of the module (active low).
57	AN26	SWD_DIO/MCA_IO0			VCC_MCA	
58	AN27	MCA_VIN_DET				
59	-	VCC_MCA				
60	-	GND				

Castellated pad number	Associated LGA pad name	ConnectCore 8M Nano signal name	i.MX 8M Nano pin name	Multiplexing (green value represents default functionality)	Power group	Comments
61	AL27	MCA_IO4			VCC_MCA	
62	AL28	NC				
63	AK29	NC				
64	AJ29	NC				
65	AH29	NC				
66	AG29	MCA_IO9			VCC_MCA	
67	AF29	MCA_IO10			VCC_MCA	
68	AE29	BOOT_MODE0	BOOT_MODE0		1V8	
69	AD29	BOOT_MODE1	BOOT_MODE1		1V8	
70	AC29	NC				
71	AB29	NC				
72	AA29	1V8				
73	Y29	GND				
74	W29	UART1_TX	SAI2_RXFS	ALT0: SAI2_RX_SYNC ALT1: SAI5_TX_SYNC ALT2: SAI5_TX_DATA1 ALT3: SAI2_RX_DATA1 ALT4: UART1_TX ALT5: GPIO4_IO21 ALT6: PDM_BIT_STREAM2	3V3	

Castellated pad number	Associated LGA pad name	ConnectCore 8M Nano signal name	i.MX 8M Nano pin name	Multiplexing (green value represents default functionality)	Power group	Comments
75	V29	UART1_RX	SAI2_RXC	ALT0: SAI2_RX_BCLK ALT1: SAI5_TX_BCLK ALT4: UART1_RX ALT5: GPIO4_IO22 ALT6: PDM_BIT_STREAM1	3V3	
76	U29	UART4_RXD	UART4_RXD	ALT0: UART4_RX ALT1: UART2_CTS_B ALT3: GPT1_COMPARE1 ALT5: GPIO5_IO28	VDD_UART	
77	T29	UART4_TXD	UART4_TXD	ALT0: UART4_TX ALT1: UART2_RTS_B ALT3: GPT1_CAPTURE1 ALT5: GPIO5_IO29	VDD_UART	
78	R29	NC				
79	P29	NC				
80	N29	UART3_RTS_B	ECSPI1_SS0	ALT0: ECSPI1_SS0 ALT1: UART3_RTS_B ALT2: I2C2_SDA ALT3: SAI5_RX_DATA1 ALT4: SAI5_TX_SYNC ALT5: GPIO5_IO09	3V3	
81	M29	UART3_CTS_B	ECSPI1_MISO	ALT0: ECSPI1_MISO ALT1: UART3_CTS_B ALT2: I2C2_SCL ALT3: SAI5_RX_DATA0 ALT5: GPIO5_IO08	3V3	
82	L29	NC				

Castellated pad number	Associated LGA pad name	ConnectCore 8M Nano signal name	i.MX 8M Nano pin name	Multiplexing (green value represents default functionality)	Power group	Comments
83	K29	GPIO3_IO01	NAND_CE0_B	ALT0: NAND_CE0_B ALT1: QSPI_A_SS0_B ALT3: PDM_BIT_STREAM1 ALT4: UART3_TX ALT5: GPIO3_IO01 ALT6: CORESIGHT_TRACE_CTL	1V8	The function of this pin depends on the ConnectCore 8M Nano SOM version. For more information, see SOM versions .
84	J29	NC				
85	H29	GND				
86	G29	GPIO5_IO02	SAI3_MCLK	ALT0: SAI3_MCLK ALT1: PWM4_OUT ALT2: SAI5_MCLK ALT4: SPDIF1_OUT ALT5: GPIO5_IO02 ALT6: SPDIF1_IN	3V3	
87	F29	GPIO5_IO01	SAI3_TXD	ALT0: SAI3_TX_DATA0 ALT1: GPT1_COMPARE3 ALT2: SAI5_RX_DATA3 ALT4: SPDIF1_EXT_CLK ALT5: GPIO5_IO01 ALT6: SRC_BOOT_MODE5	3V3	

Castellated pad number	Associated LGA pad name	ConnectCore 8M Nano signal name	i.MX 8M Nano pin name	Multiplexing (green value represents default functionality)	Power group	Comments
88	E29	I2C2_SDA	I2C2_SDA	ALT0: I2C2_SDA ALT1: ENET1_1588_EVENT1_OUT ALT2: USDHC3_WP ALT3: ECSP11_SS0 ALT5: GPIO5_IO17	1V8	
89	F28	I2C2_SCL	I2C2_SCL	ALT0: I2C2_SCL ALT1: ENET1_1588_EVENT1_IN ALT2: USDHC3_CD_B ALT3: ECSP11_MISO ALT5: GPIO5_IO16	1V8	
90	E28	GPIO4_IO28	SAI3_RXFS	ALT0: SAI3_RX_SYNC ALT1: GPT1_CAPTURE1 ALT2: SAI5_RX_SYNC ALT3: SAI3_RX_DATA1 ALT4: SPDIF1_IN ALT5: GPIO4_IO28 ALT6: PDM_BIT_STREAM0	3V3	
91	E27	GPIO3_IO24	SAI5_RXD3	ALT0: SAI5_RX_DATA3 ALT3: SAI5_TX_DATA0 ALT4: PDM_BIT_STREAM3 ALT5: GPIO3_IO24	3V3	
92	C24	GPIO3_IO25	SAI5_MCLK	ALT0: SAI5_MCLK ALT5: GPIO3_IO25	3V3	
93	B24	GPIO4_IO27	SAI2_MCLK	ALT0: SAI2_MCLK ALT1: SAI5_MCLK ALT5: GPIO4_IO27 ALT6: SAI3_MCLK	3V3	

Castellated pad number	Associated LGA pad name	ConnectCore 8M Nano signal name	i.MX 8M Nano pin name	Multiplexing (green value represents default functionality)	Power group	Comments
94	-	GND				
95	-	VDD_ENET				
96	A24	ENET0_RGMII_TXC	ENET_TXC	ALT0: ENET1_RGMII_TXC ALT1: ENET1_TX_ER ALT2: SAI7_TX_DATA0 ALT5: GPIO1_IO23 ALT6: USDHC3_DATA1	VDD_ENET	
97	A23	ENET0_RGMII_TX_CTL	ENET_TX_CTL	ALT0: ENET1_RGMII_TX_CTL ALT2: SAI6_MCLK ALT5: GPIO1_IO22 ALT6: USDHC3_DATA0	VDD_ENET	
98	A22	ENET0_RGMII_TXD0	ENET_TD0	ALT0: ENET1_RGMII_TD0 ALT2: SAI6_RX_BCLK ALT3: PDM_BIT_STREAM1 ALT5: GPIO1_IO21 ALT6: USDHC3_WP	VDD_ENET	
99	A21	ENET0_RGMII_TXD1	ENET_TD1	ALT0: ENET1_RGMII_TD1 ALT2: SAI6_RX_SYNC ALT3: PDM_BIT_STREAM2 ALT5: GPIO1_IO20 ALT6: USDHC3_CD_B	VDD_ENET	

Castellated pad number	Associated LGA pad name	ConnectCore 8M Nano signal name	i.MX 8M Nano pin name	Multiplexing (green value represents default functionality)	Power group	Comments
100	A20	ENET0_RGMII_TXD2	ENET_TD2	ALT0: ENET1_RGMII_TD2 ALT1: INPUT=ENET1_TX_CLK/OUTPUT=CCM_ENET_REF_CLK_ROOT ALT2: SAI6_RX_DATA0 ALT3: PDM_BIT_STREAM3 ALT5: GPIO1_IO19 ALT6: USDHC3_DATA7	VDD_ENET	
101	A19	ENET0_RGMII_TXD3	ENET_TD3	ALT0: ENET1_RGMII_TD3 ALT2: SAI6_TX_BCLK ALT3: PDM_BIT_STREAM1 ALT4: SPDIF1_EXT_CLK ALT5: GPIO1_IO18 ALT6: USDHC3_DATA6	VDD_ENET	
102	A18	ENET0_RGMII_RXC	ENET_RXC	ALT0: ENET1_RGMII_RXC ALT1: ENET1_RX_ER ALT2: SAI7_TX_BCLK ALT3: PDM_BIT_STREAM2 ALT5: GPIO1_IO25 ALT6: USDHC3_DATA3	VDD_ENET	
103	A17	ENET0_RGMII_RX_CTL	ENET_RX_CTL	ALT0: ENET1_RGMII_RX_CTL ALT2: SAI7_TX_SYNC ALT3: PDM_BIT_STREAM3 ALT5: GPIO1_IO24 ALT6: USDHC3_DATA2	VDD_ENET	

Castellated pad number	Associated LGA pad name	ConnectCore 8M Nano signal name	i.MX 8M Nano pin name	Multiplexing (green value represents default functionality)	Power group	Comments
104	A16	ENET0_RGMII_RXD0	ENET_RD0	ALT0: ENET1_RGMII_RD0 ALT2: SAI7_RX_DATA0 ALT3: PDM_BIT_STREAM1 ALT5: GPIO1_IO26 ALT6: USDHC3_DATA4	VDD_ENET	
105	A15	ENET0_RGMII_RXD1	ENET_RD1	ALT0: ENET1_RGMII_RD1 ALT2: SAI7_RX_SYNC ALT3: PDM_BIT_STREAM0 ALT5: GPIO1_IO27 ALT6: USDHC3_RESET_B	VDD_ENET	
106	A14	ENET0_RGMII_RXD2	ENET_RD2	ALT0: ENET1_RGMII_RD2 ALT2: SAI7_RX_BCLK ALT3: PDM_CLK ALT5: GPIO1_IO28 ALT6: USDHC3_CLK	VDD_ENET	
107	A13	ENET0_RGMII_RXD3	ENET_RD3	ALT0: ENET1_RGMII_RD3 ALT2: SAI7_MCLK ALT3: SPDIF1_IN ALT5: GPIO1_IO29 ALT6: USDHC3_CMD	VDD_ENET	
108	A12	GPIO3_IO07 (1V8)	NAND_DATA01	ALT0: NAND_DATA01 ALT1: QSPI_A_DATA1 ALT3: PDM_BIT_STREAM3 ALT4: UART4_TX ALT5: GPIO3_IO07 ALT6: CORESIGHT_TRACE05	1V8	

Castellated pad number	Associated LGA pad name	ConnectCore 8M Nano signal name	i.MX 8M Nano pin name	Multiplexing (green value represents default functionality)	Power group	Comments
109	A11	ENET0_MDIO	ENET_MDIO	ALT0: ENET1_MDIO ALT2: SAI6_TX_SYNC ALT3: PDM_BIT_STREAM2 ALT4: SPDIF1_IN ALT5: GPIO1_IO17 ALT6: USDHC3_DATA5	VDD_ENET	
110	A10	ENET0_MDC	ENET_MDC	ALT0: ENET1_MDC ALT2: SAI6_TX_DATA0 ALT3: PDM_BIT_STREAM3 ALT4: SPDIF1_OUT ALT5: GPIO1_IO16 ALT6: USDHC3_STROBE	VDD_ENET	
111	A9	NC				
112	A8	NC				
113	A7	USB_OTG1_P	USB1_DP		3V3	
114	A6	USB_OTG1_N	USB1_DN		3V3	
115	-	GND				
116	B6	USB_OTG1_VBUS	USB1_VBUS			
117	D4	GND				
118	C6	USB_OTG1_ID	USB1_ID		VDDA_1V8	

LGA signals and multiplexing

LGA pad name	ConnectCore 8M Nano signal name	i.MX 8M Nano pad name	Multiplexing	Power group	Comments
A4	GND				
A5	GND				
A6	USB_OTG1_N	USB1_DN		3V3	
A7	USB_OTG1_P	USB1_DP		3V3	
A8	NC				
A9	NC				
A10	ENET0_MDC	ENET_MDC	ALT0: ENET1_MDC ALT2: SAI6_TX_DATA0 ALT3: PDM_BIT_STREAM3 ALT4: SPDIF1_OUT ALT5: GPIO1_IO16 ALT6: USDHC3_STROBE	VDD_ENET	
A11	ENET0_MDIO	ENET_MDIO	ALT0: ENET1_MDIO ALT2: SAI6_TX_SYNC ALT3: PDM_BIT_STREAM2 ALT4: SPDIF1_IN ALT5: GPIO1_IO17 ALT6: USDHC3_DATA5	VDD_ENET	
A12	GPIO3_IO07 (1V8)	NAND_DATA01	ALT0: NAND_DATA01 ALT1: QSPI_A_DATA1 ALT3: PDM_BIT_STREAM3 ALT4: UART4_TX ALT5: GPIO3_IO07 ALT6: CORESIGHT_TRACE05	1V8	

LGA pad name	ConnectCore 8M Nano signal name	i.MX 8M Nano pad name	Multiplexing	Power group	Comments
A13	ENET0_RGMII_RXD3	ENET_RD3	ALT0: ENET1_RGMII_RD3 ALT2: SAI7_MCLK ALT3: SPDIF1_IN ALT5: GPIO1_IO29 ALT6: USDHC3_CMD	VDD_ENET	
A14	ENET0_RGMII_RXD2	ENET_RD2	ALT0: ENET1_RGMII_RD2 ALT2: SAI7_RX_BCLK ALT3: PDM_CLK ALT5: GPIO1_IO28 ALT6: USDHC3_CLK	VDD_ENET	
A15	ENET0_RGMII_RXD1	ENET_RD1	ALT0: ENET1_RGMII_RD1 ALT2: SAI7_RX_SYNC ALT3: PDM_BIT_STREAM0 ALT5: GPIO1_IO27 ALT6: USDHC3_RESET_B	VDD_ENET	
A16	ENET0_RGMII_RXD0	ENET_RD0	ALT0: ENET1_RGMII_RD0 ALT2: SAI7_RX_DATA0 ALT3: PDM_BIT_STREAM1 ALT5: GPIO1_IO26 ALT6: USDHC3_DATA4	VDD_ENET	
A17	ENET0_RGMII_RX_CTL	ENET_RX_CTL	ALT0: ENET1_RGMII_RX_CTL ALT2: SAI7_TX_SYNC ALT3: PDM_BIT_STREAM3 ALT5: GPIO1_IO24 ALT6: USDHC3_DATA2	VDD_ENET	

LGA pad name	ConnectCore 8M Nano signal name	i.MX 8M Nano pad name	Multiplexing	Power group	Comments
A18	ENET0_RGMII_RXC	ENET_RXC	ALT0: ENET1_RGMII_RXC ALT1: ENET1_RX_ER ALT2: SAI7_TX_BCLK ALT3: PDM_BIT_STREAM2 ALT5: GPIO1_IO25 ALT6: USDHC3_DATA3	VDD_ENET	
A19	ENET0_RGMII_TXD3	ENET_TD3	ALT0: ENET1_RGMII_TD3 ALT2: SAI6_TX_BCLK ALT3: PDM_BIT_STREAM1 ALT4: SPDIF1_EXT_CLK ALT5: GPIO1_IO18 ALT6: USDHC3_DATA6	VDD_ENET	
A20	ENET0_RGMII_TXD2	ENET_TD2	ALT0: ENET1_RGMII_TD2 ALT1: INPUT=ENET1_TX_CLK/OUTPUT=CCM_ENET_REF_CLK_ROOT ALT2: SAI6_RX_DATA0 ALT3: PDM_BIT_STREAM3 ALT5: GPIO1_IO19 ALT6: USDHC3_DATA7	VDD_ENET	
A21	ENET0_RGMII_TXD1	ENET_TD1	ALT0: ENET1_RGMII_TD1 ALT2: SAI6_RX_SYNC ALT3: PDM_BIT_STREAM2 ALT5: GPIO1_IO20 ALT6: USDHC3_CD_B	VDD_ENET	

LGA pad name	ConnectCore 8M Nano signal name	i.MX 8M Nano pad name	Multiplexing	Power group	Comments
A22	ENET0_RGMII_TXD0	ENET_TD0	ALT0: ENET1_RGMII_TD0 ALT2: SAI6_RX_BCLK ALT3: PDM_BIT_STREAM1 ALT5: GPIO1_IO21 ALT6: USDHC3_WP	VDD_ENET	
A23	ENET0_RGMII_TX_CTL	ENET_TX_CTL	ALT0: ENET1_RGMII_TX_CTL ALT2: SAI6_MCLK ALT5: GPIO1_IO22 ALT6: USDHC3_DATA0	VDD_ENET	
A24	ENET0_RGMII_TXC	ENET_TXC	ALT0: ENET1_RGMII_TXC ALT1: ENET1_TX_ER ALT2: SAI7_TX_DATA0 ALT5: GPIO1_IO23 ALT6: USDHC3_DATA1	VDD_ENET	
A25	GND				
A26	NC				
B3	GND				
B4	GND				
B5	GND				
B6	USB_OTG1_VBUS	USB1_VBUS			
B7	NC				
B8	GND				
B9	NC				
B10	NC				

LGA pad name	ConnectCore 8M Nano signal name	i.MX 8M Nano pad name	Multiplexing	Power group	Comments
B11	GND				
B12	NC				
B13	NC				
B14	GND				
B15	GND				
B16	WLAN_RF_KILL#			3V3_RF	
B17	BT_RF_KILL#			3V3_RF	
B18	GND				
B19	NC				
B20	NC				
B21	NC				
B22	NC				
B23	NC				
B24	GPIO4_IO27	SAI2_MCLK	ALT0: SAI2_MCLK ALT1: SAI5_MCLK ALT5: GPIO4_IO27 ALT6: SAI3_MCLK	3V3	
B25	GND				
B26	GND				
B27	GND				
C2	GND				

LGA pad name	ConnectCore 8M Nano signal name	i.MX 8M Nano pad name	Multiplexing	Power group	Comments
C3	NC				
C4	GND				
C5	GND				
C6	USB_OTG1_ID	USB1_ID		VDDA_1V8	
C7	GPIO1_IO14	GPIO1_IO14	ALT0: GPIO1_IO14 ALT4: USDHC3_CD_B ALT5: PWM3_OUT ALT6: CCM_CLK01	3V3	
C8	GPIO1_IO12	GPIO1_IO12	ALT0: GPIO1_IO12 ALT1: USB1_OTG_PWR ALT5: SDMA2_EXT_EVENT1	3V3	
C9	GPIO1_IO13	GPIO1_IO13	ALT0: GPIO1_IO13 ALT1: USB1_OTG_OC ALT5: PWM2_OUT	3V3	
C10	NC				
C11	GPIO1_IO15	GPIO1_IO15	ALT0: GPIO1_IO15 ALT4: USDHC3_WP ALT5: PWM4_OUT ALT6: CCM_CLK02	3V3	
C12	GND				
C13	GND				
C14	GND				
C15	GND				

LGA pad name	ConnectCore 8M Nano signal name	i.MX 8M Nano pad name	Multiplexing	Power group	Comments
C16	GND				
C17	SPI3_CS0	UART2_TXD	ALT0: UART2_TX ALT1: ECSPI3_SS0 ALT3: GPT1_COMPARE2 ALT5: GPIO5_IO25	VDD_UART	
C18	SPI3_SDI	UART2_RXD	ALT0: UART2_RX ALT1: ECSPI3_MISO ALT3: GPT1_COMPARE3 ALT5: GPIO5_IO24	VDD_UART	
C19	SAI2_TXFS	SAI2_TXFS	ALT0: SAI2_TX_SYNC ALT1: SAI5_TX_DATA1 ALT3: SAI2_TX_DATA1 ALT4: UART1_CTS_B ALT5: GPIO4_IO24 ALT6: PDM_BIT_STREAM2	3V3	
C20	NC				
C21	NC				
C22	NC				
C23	NC				
C24	GPIO3_IO25	SAI5_MCLK	ALT0: SAI5_MCLK ALT5: GPIO3_IO25	3V3	
C25	GND				
C26	GND				

LGA pad name	ConnectCore 8M Nano signal name	i.MX 8M Nano pad name	Multiplexing	Power group	Comments
C27	RF_ANT1				Internal antenna pad.
C28	GND				
D1	NC				
D2	GND				
D3	GND				
D4	GND				
D5	WLAN_SD1_D3	SD1_DATA3	ALT0: USDHC1_DATA3 ALT1: ENET1_RGMII_RD1 ALT4: UART2_RX ALT5: GPIO2_IO05	3V3	See 1 at bottom of table.
D6	WLAN_SD1_D2	SD1_DATA2	ALT0: USDHC1_DATA2 ALT1: ENET1_RGMII_RD0 ALT4: UART2_TX ALT5: GPIO2_IO04	3V3	See 1 at bottom of table.
D7	WLAN_SD1_D7	SD1_DATA7	ALT0: USDHC1_DATA7 ALT1: ENET1_RX_ER ALT3: I2C2_SDA ALT4: UART3_RX ALT5: GPIO2_IO09	3V3	See 1 at bottom of table.
D8	WLAN_SD1_D1	SD1_DATA1	ALT0: USDHC1_DATA1 ALT1: ENET1_RGMII_TD0 ALT4: UART1_CTS_B ALT5: GPIO2_IO03	3V3	See 1 at bottom of table.

LGA pad name	ConnectCore 8M Nano signal name	i.MX 8M Nano pad name	Multiplexing	Power group	Comments
D9	WLAN_SD1_D0	SD1_DATA0	ALT0: USDHC1_DATA0 ALT1: ENET1_RGMII_TD1 ALT4: UART1_RTS_B ALT5: GPIO2_IO02	3V3	See 1 at bottom of table.
D10	WLAN_SD1_D6	SD1_DATA6	ALT0: USDHC1_DATA6 ALT1: ENET1_RGMII_RX_CTL ALT3: I2C2_SCL ALT4: UART3_TX ALT5: GPIO2_IO08	3V3	See 1 at bottom of table.
D11	WLAN_SD1_CMD	SD1_CMD	ALT0: USDHC1_CMD ALT1: ENET1_MDIO ALT4: UART1_RX ALT5: GPIO2_IO01	3V3	See 1 at bottom of table.
D12	WLAN_SD1_CLK	SD1_CLK	ALT0: USDHC1_CLK ALT1: ENET1_MDC ALT4: UART1_TX ALT5: GPIO2_IO00	3V3	See 1 at bottom of table.
D13	WLAN_SD1_D5	SD1_DATA5	ALT0: USDHC1_DATA5 ALT1: ENET1_TX_ER ALT3: I2C1_SDA ALT4: UART2_CTS_B ALT5: GPIO2_IO07	3V3	See 1 at bottom of table.
D14	WLAN_SD1_D4	SD1_DATA4	ALT0: USDHC1_DATA4 ALT1: ENET1_RGMII_TX_CTL ALT3: I2C1_SCL ALT4: UART2_RTS_B ALT5: GPIO2_IO06	3V3	See 1 at bottom of table.
D15	VDD_ENET				

LGA pad name	ConnectCore 8M Nano signal name	i.MX 8M Nano pad name	Multiplexing	Power group	Comments
D16	GND				
D17	SPI2_SCK	ECSPI2_SCLK	ALT0: ECSPi2_SCLK ALT1: UART4_RX ALT2: I2C3_SCL ALT3: SAI5_RX_DATA2 ALT4: SAI5_TX_BCLK ALT5: GPIO5_IO10	3V3	
D18	SPI3_SDO	UART1_TXD	ALT0: UART1_TX ALT1: ECSPi3_MOSI ALT5: GPIO5_IO23	VDD_UART	
D19	SAI5_RXD	SAI5_RXD0	ALT0: SAI5_RX_DATA0 ALT4: PDM_BIT_STREAM0 ALT5: GPIO3_IO21	3V3	
D20	NC				
D21	NC				
D22	NC				
D23	NC				
D24	GND				
D25	GPIO3_IO09 (1V8)	NAND_DATA03	ALT0: NAND_DATA03 ALT1: QSPI_A_DATA3 ALT2: USDHC3_WP ALT5: GPIO3_IO09 ALT6: CORESIGHT_TRACE07	1V8	
D26	GND				

LGA pad name	ConnectCore 8M Nano signal name	i.MX 8M Nano pad name	Multiplexing	Power group	Comments
D27	GND				
D28	GND				
D29	GND				
E1	GND				
E2	GND				
E3	GPIO3_IO23	SAI5_RXD2	ALT0: SAI5_RX_DATA2 ALT3: SAI5_TX_BCLK ALT4: PDM_BIT_STREAM2 ALT5: GPIO3_IO23	3V3	
E4	USDHC2_RESET_B	SD2_RESET_B	ALT0: USDHC2_RESET_B ALT5: GPIO2_IO19	VDD_USDHC2	
E5	1V8				
E6	GND				
E7	NC				
E8	GND				
E9	GPS_COEX			3V3_RF	
E10	LTE_PRI			3V3_RF	
E11	LTE_SYNC			3V3_RF	

LGA pad name	ConnectCore 8M Nano signal name	i.MX 8M Nano pad name	Multiplexing	Power group	Comments
E12	BT_UART1_RX	SAI3_TXFS	ALT0: SAI3_TX_SYNC ALT1: GPT1_CAPTURE2 ALT2: SAI5_RX_DATA1 ALT3: SAI3_TX_DATA1 ALT4: UART2_RX ALT5: GPIO4_31 ALT6: PDM_BIT_STREAM3	3V3	Internal UART line used by the Bluetooth. This signal is externally available only in non-wireless variants.
E13	BT_UART1_TX	SAI3_TXC	ALT0: SAI3_TX_BCLK ALT1: GPT1_COMPARE2 ALT2: SAI5_RX_DATA2 ALT3: SAI2_TX_DATA1 ALT4: UART2_TX ALT5: GPIO5_IO00 ALT6: PDM_BIT_STREAM2	3V3	
E14	NC				
E15	GND				
E16	VDD_UART				
E17	SPI3_SCLK	UART1_RXD	ALT0: UART1_RX ALT1: ECSPi3_SCLK ALT5: GPIO5_IO22	VDD_UART	
E18	SPI2_SDO	ECSPi2_MOSI	ALT0: ECSPi2_MOSI ALT1: UART4_TX ALT2: I2C3_SDA ALT3: SAI5_RX_DATA3 ALT4: SAI5_TX_DATA0 ALT5: GPIO5_IO11	3V3	

LGA pad name	ConnectCore 8M Nano signal name	i.MX 8M Nano pad name	Multiplexing	Power group	Comments
E19	SPI2_CS0	ECSPI2_SS0	ALT0: ECSPI2_SS0 ALT1: UART4_RTS_B ALT2: I2C4_SDA ALT5: GPIO5_IO13	3V3	
E20	SAI2_TXD	SAI2_TXD0	ALT0: SAI2_TX_DATA0 ALT1: SAI5_TX_DATA3 ALT5: GPIO4_IO26 ALT6: SRC_BOOT_MODE4	3V3	
E21	SAI2_RXD	SAI2_RXD0	ALT0: SAI2_RX_DATA0 ALT1: SAI5_TX_DATA0 ALT3: SAI2_TX_DATA1 ALT4: UART1_RTS_B ALT5: GPIO4_IO23 ALT6: PDM_BIT_STREAM3	3V3	
E22	SPI2_SDI	ECSPI2_MISO	ALT0: ECSPI2_MISO ALT1: UART4_CTS_B ALT2: I2C4_SCL ALT3: SAI5_MCLK ALT5: GPIO5_IO12	3V3	
E23	SAI2_TXC	SAI2_TXC	ALT0: SAI2_TX_BCLK ALT1: SAI5_TX_DATA2 ALT5: GPIO4_IO25 ALT6: PDM_BIT_STREAM1	3V3	
E24	SAI5_RXC	SAI5_RXC	ALT0: SAI5_RX_BCLK ALT4: PDM_CLK ALT5: GPIO3_IO20	3V3	
E25	SAI5_RXFS	SAI5_RXFS	ALT0: SAI5_RX_SYNC ALT5: GPIO3_IO19	3V3	

LGA pad name	ConnectCore 8M Nano signal name	i.MX 8M Nano pad name	Multiplexing	Power group	Comments
E26	GPIO1_IO06	GPIO1_IO06	ALT0: GPIO1_IO06 ALT1: ENET1_MDC ALT5: USDHC1_CD_B ALT6: CCM_EXT_CLK3	3V3	
E27	GPIO3_IO24	SAI5_RXD3	ALT0: SAI5_RX_DATA3 ALT3: SAI5_TX_DATA0 ALT4: PDM_BIT_STREAM3 ALT5: GPIO3_IO24	3V3	
E28	GPIO4_IO28	SAI3_RXFS	ALT0: SAI3_RX_SYNC ALT1: GPT1_CAPTURE1 ALT2: SAI5_RX_SYNC ALT3: SAI3_RX_DATA1 ALT4: SPDIF1_IN ALT5: GPIO4_IO28 ALT6: PDM_BIT_STREAM0	3V3	
E29	I2C2_SDA	I2C2_SDA	ALT0: I2C2_SDA ALT1: ENET1_1588_EVENT1_OUT ALT2: USDHC3_WP ALT3: ECSP11_SS0 ALT5: GPIO5_IO17	1V8	
F1	USDHC2_CMD	SD2_CMD	ALT0: USDHC2_CMD ALT1: SAI5_RX_BCLK ALT2: ECSP12_MOSI ALT3: UART4_TX ALT4: PDM_CLK ALT5: GPIO2_IO14	VDD_USDHC2	
F2	NC				

LGA pad name	ConnectCore 8M Nano signal name	i.MX 8M Nano pad name	Multiplexing	Power group	Comments
F3	USDHC2_WP	SD2_WP	ALT0: USDHC2_WP ALT5: GPIO2_IQ20 ALT6: CORESIGHT_EVENT1	VDD_USDHC2	
F4	NC				
F5	NC				
F6	NC				
F7	NC				
F8	NC				
F9	NC				

LGA pad name	ConnectCore 8M Nano signal name	i.MX 8M Nano pad name	Multiplexing	Power group	Comments
F10	3V3_RF_EN	SD1_DATA4	ALT0: USDHC1_DATA4 ALT1: ENET1_RGMII_TX_CTL ALT3: I2C1_SCL ALT4: UART2_RTS_B ALT5: GPIO2_IO06	1V8	<p>In Wireless variants of the SOM this is a reserved output line. Do not drive this signal externally.</p> <p>The function of this pin depends on the ConnectCore 8M Nano SOM version. For more information, see SOM versions.</p>

LGA pad name	ConnectCore 8M Nano signal name	i.MX 8M Nano pad name	Multiplexing	Power group	Comments
F11	BT_UART1_RTS#	SAI3_RXD	ALT0: SAI3_RX_DATA0 ALT1: GPT1_COMPARE1 ALT2: SAI5_RX_DATA0 ALT3: SAI3_TX_DATA1 ALT4: UART2_RTS_B ALT5: GPIO4_IO30 ALT6: PDM_BIT_STREAM1	3V3	Internal UART line used by the Bluetooth. This signal is externally available only in non-wireless variants.
F12	BT_UART1_CTS#	SAI3_RXC	ALT0: SAI3_RX_BCLK ALT1: GPT1_CLK ALT2: SAI5_RX_BCLK ALT3: SAI2_RX_DATA1 ALT4: UART2_CTS_B ALT5: GPIO4_IO29 ALT6: PDM_CLK	3V3	
F13	PCM_OUT			3V3_RF	
F14	PCM_SYNC			3V3_RF	
F15	GND				
F16	GND				
F17	3V3_RF				
F18	3V3_RF				
F19	NC				
F20	MUX_3V3_1V8				
F21	GND				
F22	GND				

LGA pad name	ConnectCore 8M Nano signal name	i.MX 8M Nano pad name	Multiplexing	Power group	Comments
F23	QOW			3V3_RF	
F24	WLAN_LED			3V3_RF	
F25	BT_LED			3V3_RF	
F26	BT_EN	SD1_DATA6	ALT0: USDHC1_DATA6 ALT1: ENET1_RGMII_RX_CTL ALT3: I2C2_SCL ALT4: UART3_TX ALT5: GPIO2_IO08	3V3	Internally tied to pad D10 (WLAN_SD1_D6).
F27	WL_EN	SD1_DATA7	ALT0: USDHC1_DATA7 ALT1: ENET1_RX_ER ALT3: I2C2_SDA ALT4: UART3_RX ALT5: GPIO2_IO09	3V3	Internally tied to pad D7 (WLAN_SD1_D7).
F28	I2C2_SCL	I2C2_SCL	ALT0: I2C2_SCL ALT1: ENET1_1588_EVENT1_IN ALT2: USDHC3_CD_B ALT3: ECSP11_MISO ALT5: GPIO5_IO16	1V8	
F29	GPIO5_IO01	SAI3_TXD	ALT0: SAI3_TX_DATA0 ALT1: GPT1_COMPARE3 ALT2: SAI5_RX_DATA3 ALT4: SPDIF1_EXT_CLK ALT5: GPIO5_IO01 ALT6: SRC_BOOT_MODE5	3V3	

LGA pad name	ConnectCore 8M Nano signal name	i.MX 8M Nano pad name	Multiplexing	Power group	Comments
G1	USDHC2_DATA0	SD2_DATA0	ALT0: USDHC2_DATA0 ALT1: SAI5_RX_DATA0 ALT2: I2C4_SDA ALT3: UART2_RX ALT4: PDM_BIT_STREAM0 ALT5: GPIO2_IO15	VDD_USDHC2	
G2	USDHC2_CD_B	SD2_CD_B	ALT0: USDHC2_CD_B ALT5: GPIO2_IO12	VDD_USDHC2	
G3	NC				
G4	NC				
G5	GND				
G6	NC				
G7	NC				
G8	GND				
G9	NC				
G10	NC				
G11	GND				
G12	BT_WAKEUP_SLAVE			3V3_RF	
G13	PCM_CLK			3V3_RF	
G14	PCM_IN			3V3_RF	
G15	LTE_ACTIVE			3V3_RF	

LGA pad name	ConnectCore 8M Nano signal name	i.MX 8M Nano pad name	Multiplexing	Power group	Comments
G16	GND			3V3_RF	
G17	BT_WAKEUP_HOST			3V3_RF	
G18	WLAN_SDIO_INT_L	SD1_STROBE	ALT0: USDHC1_STROBE ALT3: I2C3_SDA ALT4: UART3_CTS_B ALT5: GPIO2_IO11	3V3	
G19	GND				
G20	NC				
G21	NC				
G22	GND				
G23	NC				
G24	NC				
G25	GND				
G26	GND				
G27	GND				
G28	GND				
G29	GPIO5_IO02	SAI3_MCLK	ALT0: SAI3_MCLK ALT1: PWM4_OUT ALT2: SAI5_MCLK ALT4: SPDIF1_OUT ALT5: GPIO5_IO02 ALT6: SPDIF1_IN	3V3	

LGA pad name	ConnectCore 8M Nano signal name	i.MX 8M Nano pad name	Multiplexing	Power group	Comments
H1	USDHC2_DATA1	SD2_DATA1	ALT0: USDHC2_DATA1 ALT1: SAI5_TX_SYNC ALT2: I2C4_SCL ALT3: UART2_TX ALT4: PDM_BIT_STREAM1 ALT5: GPIO2_IO16	VDD_USDHC2	
H2	GND				
H3	GND				
H4	GND				
H5	GND				
H6	GND				
H7	GND				
H8	GND				
H9	GND				
H10	GND				
H11	GND				
H12	GND				
H13	GND				
H14	GND				
H15	GND				
H16	GND				

LGA pad name	ConnectCore 8M Nano signal name	i.MX 8M Nano pad name	Multiplexing	Power group	Comments
H17	GND				
H18	GND				
H19	GND				
H20	GND				
H21	GND				
H22	GND				
H23	GND				
H24	GND				
H25	GND				
H26	GND				
H27	GND				
H28	GND				
H29	GND				
J1	USDHC2_DATA2	SD2_DATA2	ALT0: USDHC2_DATA2 ALT1: SAI5_TX_BCLK ALT2: ECSPI2_SS0 ALT3: SPDIF1_OUT ALT4: PDM_BIT_STREAM2 ALT5: GPIO2_IO17	VDD_USDHC2	
J29	NC				

LGA pad name	ConnectCore 8M Nano signal name	i.MX 8M Nano pad name	Multiplexing	Power group	Comments
K1	USDHC2_DATA3	SD2_DATA3	ALT0: USDHC2_DATA3 ALT1: SAI5_TX_DATA0 ALT2: ECSPI2_MISO ALT3: SPDIF1_IN ALT4: PDM_BIT_STREAM3 ALT5: GPIO2_IO18	VDD_USDHC2	
K29	GPIO3_IO01	NAND_CE0_B	ALT0: NAND_CE0_B ALT1: QSPI_A_SS0_B ALT3: PDM_BIT_STREAM1 ALT4: UART3_TX ALT5: GPIO3_IO01 ALT6: CORESIGHT_TRACE_CTL	1V8	The function of this pin depends on the ConnectCore 8M Nano SOM version. For more information, see SOM versions .
L1	USDHC2_CLK	SD2_CLK	ALT0: USDHC2_CLK ALT1: SAI5_RX_SYNC ALT2: ECSPI2_SCLK ALT3: UART4_RX ALT4: SAI5_MCLK ALT5: GPIO2_IO13	VDD_USDHC2	
L29	NC				
M1	GND				

LGA pad name	ConnectCore 8M Nano signal name	i.MX 8M Nano pad name	Multiplexing	Power group	Comments
M29	UART3_CTS_B	ECSPI1_MISO	ALT0: ECSPI1_MISO ALT1: UART3_CTS_B ALT2: I2C2_SCL ALT3: SAI5_RX_DATA0 ALT5: GPIO5_IO08	3V3	
N1	VDD_USDHC2				
N29	UART3_RTS_B	ECSPI1_SS0	ALT0: ECSPI1_SS0 ALT1: UART3_RTS_B ALT2: I2C2_SDA ALT3: SAI5_RX_DATA1 ALT4: SAI5_TX_SYNC ALT5: GPIO5_IO09	3V3	
P1	UART3_TX	ECSPI1_MOSI	ALT0: ECSPI1_MOSI ALT1: UART3_TX ALT2: I2C1_SDA ALT3: SAI5_RX_BCLK ALT5: GPIO5_IO07	3V3	
P29	NC				
R1	UART3_RX	ECSPI1_SCLK	ALT0: ECSPI1_SCLK ALT1: UART3_RX ALT2: I2C1_SCL ALT3: SAI5_RX_SYNC ALT5: GPIO5_IO06	3V3	
R29	NC				
T1	GND				

LGA pad name	ConnectCore 8M Nano signal name	i.MX 8M Nano pad name	Multiplexing	Power group	Comments
T29	UART4_TXD	UART4_TXD	ALT0: UART4_TX ALT1: UART2_RTS_B ALT3: GPT1_CAPTURE1 ALT5: GPIO5_IO29	VDD_UART	
U1	NC				
U29	UART4_RXD	UART4_RXD	ALT0: UART4_RX ALT1: UART2_CTS_B ALT3: GPT1_COMPARE1 ALT5: GPIO5_IO28	VDD_UART	
V1	I2C4_SCL	I2C4_SCL	ALT0: I2C4_SCL ALT1: PWM2_OUT ALT3: ECSPI2_MISO ALT5: GPIO5_IO20	1V8	
V29	UART1_RX	SAI2_RXC	ALT0: SAI2_RX_BCLK ALT1: SAI5_TX_BCLK ALT4: UART1_RX ALT5: GPIO4_IO22 ALT6: PDM_BIT_STREAM1	3V3	
W1	I2C4_SDA	I2C4_SDA	ALT0: I2C4_SDA ALT1: PWM1_OUT ALT3: ECSPI2_SS0 ALT5: GPIO5_IO21	1V8	

LGA pad name	ConnectCore 8M Nano signal name	i.MX 8M Nano pad name	Multiplexing	Power group	Comments
W29	UART1_TX	SAI2_RXFS	ALT0: SAI2_RX_SYNC ALT1: SAI5_TX_SYNC ALT2: SAI5_TX_DATA1 ALT3: SAI2_RX_DATA1 ALT4: UART1_TX ALT5: GPIO4_IO21 ALT6: PDM_BIT_STREAM2	3V3	
Y1	GPIO5_IO05	SPDIF_EXT_CLK	ALT0: SPDIF1_EXT_CLK ALT1: PWM1_OUT ALT5: GPIO5_IO05	3V3	
Y29	GND				
AA1	GPIO1_IO00	GPIO1_IO00	ALT0: GPIO1_IO00 ALT1: CCM_ENET_PHY_REF_CLK_ROOT ALT5: CCM_REF_CLK_32K ALT6: CCM_EXT_CLK1	3V3	
AA29	1V8				
AB1	NC				
AB29	NC				
AC1	NC				
AC29	NC				
AD1	NC				
AD29	BOOT_MODE1	BOOT_MODE1		1V8	
AE1	NC				
AE29	BOOT_MODE0	BOOT_MODE0		1V8	

LGA pad name	ConnectCore 8M Nano signal name	i.MX 8M Nano pad name	Multiplexing	Power group	Comments
AF1	GPIO5_I004	SPDIF_RX	ALT0: SPDIF1_IN ALT1: PWM2_OUT ALT5: GPIO5_I004	3V3	
AF2	GND				
AF3	GND				
AF4	GND				
AF5	GND				
AF6	GND				
AF7	GND				
AF8	GND				
AF9	GND				
AF10	GND				
AF11	GND				
AF12	GND				
AF13	GND				
AF14	GND				
AF15	GND				
AF16	GND				
AF17	GND				
AF18	GND				

LGA pad name	ConnectCore 8M Nano signal name	i.MX 8M Nano pad name	Multiplexing	Power group	Comments
AF19	GND				
AF20	GND				
AF21	GND				
AF22	GND				
AF23	GND				
AF24	GND				
AF25	GND				
AF26	GND				
AF27	GND				
AF28	GND				
AF29	MCA_IO10			VCC_MCA	
AG1	GPIO5_IO03	SPDIF_TX	ALT0: SPDIF1_OUT ALT1: PWM3_OUT ALT5: GPIO5_IO03	3V3	
AG2	GND				
AG3	GND				
AG4	GND				
AG5	GND				
AG6	GND				
AG7	GND				

LGA pad name	ConnectCore 8M Nano signal name	i.MX 8M Nano pad name	Multiplexing	Power group	Comments
AG8	GPIO3_IO22	SAI5_RXD1	ALT0: SAI5_RX_DATA1 ALT3: SAI5_TX_SYNC ALT4: PDM_BIT_STREAM1 ALT5: GPIO3_IO22	3V3	
AG9	GPIO1_IO07	GPIO1_IO07	ALT0: GPIO1_IO07 ALT1: ENET1_MDIO ALT5: USDHC1_WPUART1_RXD ALT6: CCM_EXT_CLK4	3V3	
AG10	GPIO1_IO11	GPIO1_IO11	ALT0: GPIO1_IO11 ALT1: PWM2_OUT ALT4: USDHC3_VSELECT ALT5: CCM_PMIC_READY	3V3	
AG11	GPIO1_IO08	GPIO1_IO08	ALT0: GPIO1_IO08 ALT1: ENET1_1588_EVENT0_IN ALT2: PWM1_OUT ALT5: USDHC2_RESET_B	3V3	
AG12	GPIO1_IO09	GPIO1_IO09	ALT0: GPIO1_IO09 ALT1: ENET1_1588_EVENT0_OUT ALT2: PWM2_OUT ALT4: USDHC3_RESET_B ALT5: SDMA2_EXT_EVENT0	3V3	
AG13	GPIO1_IO10	GPIO1_IO10	ALT0: GPIO1_IO10 ALT1: USB1_OTG_ID ALT2: PWM3_OUT	3V3	
AG14	GPIO1_IO03	GPIO1_IO03	ALT0: GPIO1_IO03 ALT1: USDHC1_VSELECT ALT5: SDMA1_EXT_EVENT0	3V3	

LGA pad name	ConnectCore 8M Nano signal name	i.MX 8M Nano pad name	Multiplexing	Power group	Comments
AG15	GPIO3_IO08	NAND_DATA02	ALT0: NAND_DATA02 ALT1: QSPI_A_DATA2 ALT2: USDHC3_CD_B ALT4: I2C4_SDA ALT5: GPIO3_IO08 ALT6: CORESIGHT_TRACE06	1V8	The function of this pin depends on the ConnectCore 8M Nano SOM version. For more information, see SOM versions .
AG16	GND				
AG17	NC				
AG18	IMX8_ON_OFF	ONOFF		1.8 V Internal power rail	ON/OFF signal from the CPU. By default it shouldn't be used. This functionality is managed by the MCA.
AG19	JTAG_MOD	JTAG_MOD		1V8	
AG20	JTAG_TCK	JTAG_TCK		1V8	
AG21	JTAG_TDO	JTAG_TDO		1V8	
AG22	NC				
AG23	GND				

LGA pad name	ConnectCore 8M Nano signal name	i.MX 8M Nano pad name	Multiplexing	Power group	Comments
AG24	NC				
AG25	GPIO3_IO14	NAND_DQS	ALT0: NAND_DQS ALT1: QSPI_A_DQS ALT3: PDM_CLK ALT4: I2C3_SCL ALT5: GPIO3_IO14 ALT6: CORESIGHT_TRACE12	1V8	The function of this pin depends on the ConnectCore 8M Nano SOM version. For more information, see SOM versions .
AG26	GPIO5_IO26	UART3_RXD	ALT0: UART3_RX ALT1: UART1_CTS_B ALT2: USDHC3_RESET_B ALT3: GPT1_CAPTURE2 ALT5: GPIO5_IO26	VDD_UART	
AG27	GPIO5_IO27	UART3_TXD	ALT0: UART3_TX ALT1: UART1_RTS_B ALT2: USDHC3_VSELECT ALT3: GPT1_CLK ALT5: GPIO5_IO27	VDD_UART	
AG28	GPIO3_IO00 (1V8)	NAND_ALE	ALT0: NAND_ALE ALT1: QSPI_A_SCLK ALT3: PDM_BIT_STREAM0 ALT4: UART3_RX ALT5: GPIO3_IO00 ALT6: CORESIGHT_TRACE_CLK	1V8	
AG29	MCA_IO9			VCC_MCA	

LGA pad name	ConnectCore 8M Nano signal name	i.MX 8M Nano pad name	Multiplexing	Power group	Comments
AH1	1V8				
AH2	1V8				
AH3	1V8				
AH4	GND				
AH5	GND				
AH6	RESERVED				
AH7	NC				The function of this pin depends on the ConnectCore 8M Nano SOM version. For more information, see SOM versions .
AH8	GND				
AH9	NC				
AH10	POR_B	POR_B		1.8 V Internal power rail.	
AH11	NC				
AH12	RESERVED				

LGA pad name	ConnectCore 8M Nano signal name	i.MX 8M Nano pad name	Multiplexing	Power group	Comments
AH13	MUX_VSELECT				<p>To use MUX_3V3_1V8 to power an external interface through USDHC2 bus (e.g microSD in the DVK) and automatically adapt voltage level to maximize performance, tie this line to pad AN5 (USDHC2_VSELECT).</p> <p>This pin selects the output voltage at MUX_3V3_1V8:</p> <ul style="list-style-type: none"> ■ Set low for 3.3V operation ■ Set high for 1.8V operation
AH14	GND				
AH15	NC				
AH16	NC				
AH17	GND				
AH18	VDDA_1V8				
AH19	GND				
AH20	NC				

LGA pad name	ConnectCore 8M Nano signal name	i.MX 8M Nano pad name	Multiplexing	Power group	Comments
AH21	GND				
AH22	NC				
AH23	NC				
AH24	NC				
AH25	NC				
AH26	NC				
AH27	JTAG_TDI	JTAG_TDI		1V8	
AH28	JTAG_TMS	JTAG_TMS		1V8	
AH29	NC				
AJ1	GND				
AJ2	VSYS2				
AJ3	VSYS2				
AJ4	VSYS2				
AJ5	GND				
AJ6	GND				
AJ7	GND				
AJ8	NC				
AJ9	GND				

LGA pad name	ConnectCore 8M Nano signal name	i.MX 8M Nano pad name	Multiplexing	Power group	Comments
AJ10	NC				The function of this pin depends on the ConnectCore 8M Nano SOM version. For more information, see SOM versions .
AJ11	PMIC_STANDBY	PMIC_STBY_REQ		1.8 V Internal power rail.	
AJ12	PWR_ON	PMIC_ON_REQ		1.8 V Internal power rail.	
AJ13	NC				
AJ14	GND				
AJ15	NC				
AJ16	NC				
AJ17	GND				
AJ18	NC				
AJ19	NC				
AJ20	GND				
AJ21	NC				

LGA pad name	ConnectCore 8M Nano signal name	i.MX 8M Nano pad name	Multiplexing	Power group	Comments
AJ22	NC				
AJ23	NC				
AJ24	NC				
AJ25	NC				
AJ26	GND				
AJ27	BOOT_MODE3/TEST_MODE	BOOT_MODE3	ALT0: SRC_BOOT_MODE3 ALT1: I2C1_SDA	1V8	
AJ28	BOOT_MODE2/JTAG_nTRST	BOOT_MODE2	ALT0: SRC_BOOT_MODE2 ALT1: I2C1_SCL	1V8	
AJ29	NC				
AK1	3V3				
AK2	VSYS2				
AK3	VSYS2				
AK4	VSYS2				
AK5	GND				
AK6	GND				
AK7	GND				
AK8	GND				
AK9	GND				
AK10	GND				

LGA pad name	ConnectCore 8M Nano signal name	i.MX 8M Nano pad name	Multiplexing	Power group	Comments
AK11	GND				
AK12	GND				
AK13	GND				
AK14	GND				
AK15	NC				
AK16	NC				
AK17	GND				
AK18	NC				
AK19	NC				
AK20	GND				
AK21	MIPI_CSI_DATA3_P	MIPI_CSI_D3_P		VDDA_1V8	
AK22	MIPI_CSI_DATA3_N	MIPI_CSI_D3_N		VDDA_1V8	
AK23	GND				
AK24	I2C3_SDA (1V8)	I2C3_SDA	ALT0: I2C3_SDA ALT1: PWM3_OUT ALT2: GPT3_CLK ALT3: ECSP12_MOSI ALT5: GPIO5_IO19	1V8	

LGA pad name	ConnectCore 8M Nano signal name	i.MX 8M Nano pad name	Multiplexing	Power group	Comments
AK25	I2C3_SCL (1V8)	I2C3_SCL	ALT0: I2C3_SCL ALT1: PWM4_OUT ALT2: GPT2_CLK ALT3: ECSPI2_SCLK ALT5: GPIO5_IO18	1V8	
AK26	NC				
AK27	NC				
AK28	NC				
AK29	NC				
AL2	3V3				
AL3	3V3				
AL4	GND				
AL5	GND				
AL6	VSYS				
AL7	VSYS				
AL8	VSYS				
AL9	GND				
AL10	GND				
AL11	GND				
AL12	MIPI_CSI_DATA1_P	MIPI_CSI_D1_P		VDDA_1V8	
AL13	MIPI_CSI_DATA1_N	MIPI_CSI_D1_N		VDDA_1V8	

LGA pad name	ConnectCore 8M Nano signal name	i.MX 8M Nano pad name	Multiplexing	Power group	Comments
AL14	GND				
AL15	MIPI_CSI_DATA0_P	MIPI_CSI_D0_P		VDDA_1V8	
AL16	MIPI_CSI_DATA0_N	MIPI_CSI_D0_N		VDDA_1V8	
AL17	GND				
AL18	GPIO3_IO06 (1V8)	NAND_DATA00	ALT0: NAND_DATA00 ALT1: QSPI_A_DATA0 ALT3: PDM_BIT_STREAM2 ALT4: UART4_RX ALT5: GPIO3_IO06 ALT6: CORESIGHT_TRACE04	1V8	
AL19	RESERVED				
AL20	RESERVED				
AL21	MCA_CLKOUT32K			VCC_MCA	
AL22	MCA_IO13			VCC_MCA	
AL23	MCA_IO17			VCC_MCA	
AL24	MCA_IO16			VCC_MCA	
AL25	MCA_IO15			VCC_MCA	
AL26	MCA_IO14			VCC_MCA	
AL27	MCA_IO4			VCC_MCA	
AL28	NC				
AM3	3V3				

LGA pad name	ConnectCore 8M Nano signal name	i.MX 8M Nano pad name	Multiplexing	Power group	Comments
AM4	3V3				
AM5	GND				
AM6	GND				
AM7	CLKOUT1	CLKOUT1		1V8	
AM8	VCC_LICELL				
AM9	CLKOUT2	CLKOUT2		1V8	
AM10	CLKIN1	CLKIN1		1V8	
AM11	CLKIN2	CLKIN2		1V8	
AM12	GND				
AM13	MIPI_CSI_CLK_P	MIPI_CSI_CLK_P		VDDA_1V8	
AM14	MIPI_CSI_CLK_N	MIPI_CSI_CLK_N		VDDA_1V8	
AM15	GND				
AM16	MIPI_CSI_DATA2_P	MIPI_CSI_D2_P		VDDA_1V8	
AM17	MIPI_CSI_DATA2_N	MIPI_CSI_D2_N		VDDA_1V8	
AM18	GND				
AM19	RESERVED				
AM20	GND				
AM21	VCC_MCA				
AM22	MCA_IO19			VCC_MCA	

LGA pad name	ConnectCore 8M Nano signal name	i.MX 8M Nano pad name	Multiplexing	Power group	Comments
AM23	MCA_IO18			VCC_MCA	
AM24	MCA_VREF_OUT				
AM25	MCA_IO12			VCC_MCA	
AM26	MCA_IO11			VCC_MCA	
AM27	MCA_VIN_DET				
AN4	GPIO1_IO01	GPIO1_IO01	ALT0: GPIO1_IO01 ALT1: PWM1_OUT ALT5: CCM_REF_CLK_24M ALT6: CCM_EXT_CLK2	3V3	
AN5	GPIO1_IO04	GPIO1_IO04	ALT0: GPIO1_IO04 ALT1: USDHC2_VSELECT ALT5: SDMA1_EXT_EVENT1	3V3	The function of this pin depends on the ConnectCore 8M Nano SOM version. For more information, see SOM versions .
AN6	MIPI_DSI_CLK_N	MIPI_DSI_CLK_N		VDDA_1V8	
AN7	MIPI_DSI_CLK_P	MIPI_DSI_CLK_P		VDDA_1V8	
AN8	GND				
AN9	MIPI_DSI_DATA0_N	MIPI_DSI_D0_N		VDDA_1V8	
AN10	MIPI_DSI_DATA0_P	MIPI_DSI_D0_P		VDDA_1V8	

LGA pad name	ConnectCore 8M Nano signal name	i.MX 8M Nano pad name	Multiplexing	Power group	Comments
AN11	GND				
AN12	MIPI_DSI_DATA1_N	MIPI_DSI_D1_N		VDDA_1V8	
AN13	MIPI_DSI_DATA1_P	MIPI_DSI_D1_P		VDDA_1V8	
AN14	GND				
AN15	MIPI_DSI_DATA2_N	MIPI_DSI_D2_N		VDDA_1V8	
AN16	MIPI_DSI_DATA2_P	MIPI_DSI_D2_P		VDDA_1V8	
AN17	GND				
AN18	MIPI_DSI_DATA3_N	MIPI_DSI_D3_N		VDDA_1V8	
AN19	MIPI_DSI_DATA3_P	MIPI_DSI_D3_P		VDDA_1V8	
AN20	GND				
AN21	MCA_IO1			VCC_MCA	
AN22	MCA_IO2			VCC_MCA	
AN23	MCA_IO3			VCC_MCA	
AN24	SWD_CLK/PWR_IO			VCC_MCA	Input power ON/OFF line of the module (active low).
AN25	SYS_RESET			VCC_MCA	Input reset line of the module (active low).
AN26	SWD_DIO/MCA_IO0			VCC_MCA	

LGA pad name	ConnectCore 8M Nano signal name	i.MX 8M Nano pad name	Multiplexing	Power group	Comments

Note ¹This SDIO interface is connected to the Wireless chip on the wireless variants of the SOM.

These pads must remain unconnected unless when using a non-wireless variant of the module.

Pad D7 (WLAN_SD1_D7) is internally tied to pad F27 (WL_EN).

Pad D10 (WLAN_SD1_D6) is internally tied to pad F26 (BT_EN).

Module specifications

The following sections describe the specifications for the ConnectCore 8M Nano SOM.

Power consumption95
Antenna performance96

Power consumption

This section contains information about the power consumption of the ConnectCore 8M Nano system-on-module. All measurements were performed on the ConnectCore 8M DVK platform running Digi Embedded Yocto.

All presented results were measured with ConnectCore 8M Nano variant -01 at ambient temperature (25°C).

Note These power consumption numbers should be considered guidelines only, never as fixed or absolute values. Actual values will depend entirely upon individual setup and system application.

Power consumption use cases

The power consumption of the ConnectCore 8M Nano system-on-module was evaluated in the following use cases:

Power-off

To enter power-off mode, press the ON/OFF button of the carrier board for more than two seconds, or run:

```
~# poweroff
```

In this mode only the MCA is powered, which maintains the MCA RTC and other low-power functionality of the MCA, such as wake-up interrupts (ADC, tamper, keypad...).

Standby

To enter standby mode, press the ON/OFF button of the carrier board once, or run:

```
~# standby
```

In this mode, the system suspends to RAM and operation can be resumed without performing a new boot cycle. RAM memory is in self-refresh mode.

System idle

In this use case, the system is running Digi Embedded Yocto graphical image with standard daemons and a graphical desktop.

RTC

System on RTC (Real-time clock) mode keeping the time of the system, powered from a coin cell with no other power supply attached.

Results

State	SOM power consumption ¹ (mW)
Power-off	0.325
Standby	29
System idle	1140
RTC	0.019

¹SOM power consumption = P(R28) - P(R31) - P(R32)

Antenna performance

Antenna location is important for optimal performance. The following suggestions help you achieve optimal antenna performance. Point the antenna up vertically (upright). Antennas radiate and receive the best signal perpendicular to the direction they point, so a vertical antenna's omnidirectional radiation pattern is strongest across the horizon.

Position the antennas away from metal objects whenever possible. Metal objects between the transmitter and receiver can block the radiation path or reduce the transmission distance. Objects that are often overlooked include:

- Metal poles
- Metal studs
- Structure beams
- Concrete, which is usually reinforced with metal rods

If you place the device inside a metal enclosure, use an external antenna. Common objects that have metal enclosures include:

- Vehicles
- Elevators
- Ventilation ducts
- Refrigerators

Use the following additional guidelines for optimal antenna performance:

- Do not place the product with the antenna inside a metal enclosure.
- Do not place any ground planes or metal objects above or below the antenna.
- For best results, mount the antenna at the edge of the host PCB. Ensure that the ground, power, and signal planes are vacant immediately below the antenna section.

Regulatory information and certifications

Note The ConnectCore 8M Nano module complies with Part 15 of the United States FCC rules and regulations.

United States FCC	99
Europe	103
Canada (IC)	105
Japan	107
Bluetooth	108

United States FCC

The ConnectCore 8M Nano module complies with Part 15 of the FCC rules and regulations. Compliance with the labeling requirements, FCC notices and antenna usage guidelines is required. To fulfill FCC Certification, the OEM must comply with the following regulations:

The system integrator must ensure that the text on top side of the module is placed on the outside of the final product.

The ConnectCore 8M Nano module may only be used with approved antennas. (See [FCC-approved antennas](#).)

Labeling requirements



WARNING! The Original Equipment Manufacturer (OEM) must ensure that FCC labeling requirements are met. This includes a clearly visible label on the outside of the final product enclosure that displays the contents shown below. Required FCC Label for OEM products containing the ConnectCore 8M Nano module.

Contains FCC ID: MCQ-CCIMX8MN

This device complies with part 15 of the FCC Rules. Operation is subject to the following two conditions: (1) This device may not cause harmful interference, and (2) this device must accept any interference received, including interference that may cause undesired operation.

Maximum power and frequency specifications (FCC)

RF band	Peak antenna gain	Technology	Channel bandwidth	Channel number (Center frequency, MHz)
2.4 GHz	2.5 dBi	BT + EDR Bluetooth LE	1	79 non-overlapping channels: 0 (2400) to 78 (2480)
			2	40 non-overlapping channels: 0 (2402) to 39 (2480)
		WLAN	20	1(2412), 2(2417), 3(2422), 4(2427), 5(2432), 6 (2437), 7(2442), 8(2447), 9 (2452), 10(2457), 11 (2462)
			40	3(2422), 4(2427), 5(2432), 6(2437), 7(2442), 8 (2447), 9(2452)

RF band	Peak antenna gain	Technology	Channel bandwidth	Channel number (Center frequency, MHz)
5 GHz	4.6 dBi	WLAN	20	36(5180), 40(5200), 44(5220), 48(5240), 52(5260), 56(5280), 60(5300), 64(5320), 100(5500), 104(5520), 108(5540), 112(5560), 116(5580), 120(5600), 124(5620), 128(5640), 132(5660), 136(5680), 140(5700), 149(5745), 153(5765), 157(5785), 161(5805), 165(5825)
			40	38(5190), 46(5230), 54(5270), 62(5310), 102(5510), 110(5550), 118(5590), 126(5630), 134(5670), 151(5755), 159(5795)
			80	42(5210), 58(5290), 106(5530), 122(5610), 155(5775)

FCC notices

IMPORTANT: The ConnectCore 8M Nano module has been certified by the FCC for use with other products without any further certification (as per FCC section 2.1091). Modifications not expressly approved by Digi could void the user's authority to operate the equipment.

IMPORTANT: OEMs must test final product to comply with unintentional radiators (FCC section 15.107 & 15.109) before declaring compliance of their final product to Part 15 of the FCC Rules.

IMPORTANT: The ConnectCore 8M Nano module has been certified for remote and base radio applications. If the module will be used for portable applications, the device must undergo SAR testing. This equipment has been tested and found to comply with the limits for a Class B digital device, pursuant to Part 15 of the FCC Rules. These limits are designed to provide reasonable protection against harmful interference in a residential installation. This equipment generates uses and can radiate radio frequency energy, and if not installed and used in accordance with the instructions, may cause harmful interference to radio communications. However, there is no guarantee that interference will not occur in a particular installation. If this equipment does cause harmful interference to radio or television reception, which can be determined by turning the equipment off and on, the user is encouraged to try to correct the interference by one or more of the following measures: Re-orient or relocate the receiving antenna, Increase the separation between the equipment and receiver, Connect equipment and receiver to outlets on different circuits, or Consult the dealer or an experienced radio/TV technician for help.

IMPORTANT: This module has been tested and found to comply with the following requirements for Modular Approval.

Part 15.247 - Operation within the bands 902-928 MHz, 2400-2483.5 MHz, and 5725-5850 MHz.

Part 15.407 – General technical requirements.

FCC-approved antennas

The ConnectCore 8M Nano module can be installed utilizing antennas and cables constructed with non-standard connectors (RPSMA, RPTNC, and so on).

The modules are FCC approved for fixed base station and mobile applications for the channels indicated in the tables below. If the antenna is mounted at least 20 cm (8 in) from nearby persons, the application is considered a mobile application. Antennas not listed in the table must be tested to comply with FCC Section 15.203 (Unique Antenna Connectors) and Section 15.247 (Emissions).

The following table shows the antenna that was used to certify the ConnectCore 8M Nano wireless module. This antenna can be replaced by others, however further certification testing is required. The number of tests to be carried out can be decreased by using an antenna of the same type, i.e. dualband omnidirectional dipole, showing lower peak gain. In such case, only a spot check may be required by the certification laboratories to keep current certifications valid according to FCC regulations. If replacing by an antenna with higher gain, complete radiated tests according to FCC regulations are required by the certification laboratories.

Antenna used to certify the ConnectCore 8M Nano wireless module

Antenna type	Supplier	Antenna part no.	Freq. (MHz)	Peak antenna gain (dBi)	Directional gain (dBi)
PCB	YAGEO	ANTX100P001B24553	2402~2480	4.6	7.61
			5150~5250	4.9	7.91
			5250~5350	3.9	6.91
			5470~5725	5.1	8.11
			5725~5850	5.1	8.11
PCB	TAOGLAS	FXP830.07.0100C *	2402~2480	3.32	6.33
			5150~5250	4.7	7.71
			5250~5350	4.7	7.71
			5470~5725	4.7	7.71
			5725~5850	4.7	7.71
Dipole	TAOGLAS	GW.48.A151	2402~2480	3.42	6.43
			5150~5250	4.56	7.57
			5250~5350	4.56	7.57
			5470~5725	4.56	7.57
			5725~5850	4.56	7.57
Dipole	Linx	ANT-DB1-RAF-RPS	2402~2480	2.5	5.51
			5150~5250	4.6	7.61
			5250~5350	4.6	7.61
			5470~5725	4.6	7.61
			5725~5850	4.6	7.61

Antenna type	Supplier	Antenna part no.	Freq. (MHz)	Peak antenna gain (dBi)	Directional gain (dBi)
PCB	Ethertronic	1001932	2402~2480	2.5	5.51
			5150~5250	5	8.01
			5250~5350	5	8.01
			5470~5725	5	8.01
			5725~5850	5	8.01
PCB	TAOGLAS	FXP831.07.0100C	2402~2480	3	6.01
			5150~5250	5.5	8.51
			5250~5350	5.5	8.51
			5470~5725	5.5	8.51
			5725~5850	5.5	8.51

* Antenna gain in free space

Note If using the RF module in a portable application (for example - if the module is used in a hand-held device and the antenna is less than 20 cm (8 in) from the human body when the device is in operation): The integrator is responsible for passing additional SAR (Specific Absorption Rate) testing based on FCC rules 2.1091 and FCC Guidelines for Human Exposure to Radio Frequency Electromagnetic Fields, OET Bulletin and Supplement C. The testing results will be submitted to the FCC for approval prior to selling the integrated unit. The required SAR testing measures emissions from the module and how they affect the person.

RF exposure



CAUTION! To satisfy FCC RF exposure requirements for mobile transmitting devices, a separation distance of 20 cm (8 in) or more should be maintained between the antenna of this device and persons during device operation. To ensure compliance, operations at closer than this distance are not recommended. The antenna used for this transmitter must not be co-located in conjunction with any other antenna or transmitter. The preceding statement must be included as a CAUTION statement in OEM product manuals in order to alert users of FCC RF Exposure compliance.

Operating frequency

- 802.11 b/g/n: 2412-2462 MHz
- 802.11 a/n/ac : 5150-5250 MHz; 5250-5350 MHz; 5470-5725MHz; 5725-5850 MHz
- Bluetooth : 2402-2480 MHz

Europe

- 2.412 to 2.472 GHz; 13 channels
- 5.180 to 5.320 GHz; 8 channels
- 5.500 to 5.700 GHz, 8 channels (excludes 5.600 to 5.640 GHz)

CE mark

The ConnectCore 8M Nano module is certified for use in several European countries. For information, visit www.digi.com/resources/certifications.

If the ConnectCore 8M Nano module is incorporated into a product, the manufacturer must ensure compliance of the final product with articles 3.1a and 3.1b of the RE Directive (Radio Equipment Directive). A Declaration of Conformity must be issued for each of these standards and kept on file as described in the RE Directive (Radio Equipment Directive).

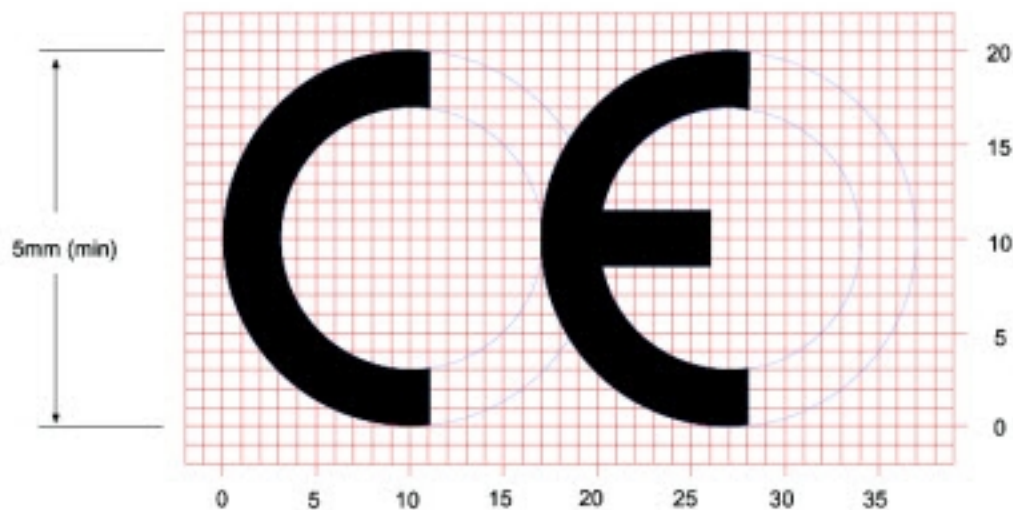
Furthermore, the manufacturer must maintain a copy of the ConnectCore 8M Nano module user manual documentation and ensure the final product does not exceed the specified power ratings, antenna specifications, and/or installation requirements as specified in the user manual. If any of these specifications are exceeded in the final product, a submission must be made to a notified body for compliance testing to all required standards.

This equipment should be installed and operated with a minimum distance of 20 cm between the radiator and your body.

OEM labeling requirements

The **CE** marking must be affixed to a visible location on the OEM product.

CE labeling requirements



The CE mark shall consist of the initials **CE** taking the following form:

- If the CE marking is reduced or enlarged, the proportions given in the above graduated drawing must be respected.
- The CE marking must have a height of at least 5mm except where this is not possible on account of the nature of the apparatus.
- The CE marking must be affixed visibly, legibly, and indelibly.

Declarations of Conformity

Digi has issued Declarations of Conformity for the ConnectCore 8M Nano module concerning emissions, EMC, and safety. For more information, see <http://www.digi.com/resources/certifications>.


Important note

Digi customers assume full responsibility for learning and meeting the required guidelines for each country in their distribution market. Refer to the radio regulatory agency in the desired countries of operation for more information.

Approved antennas

The same antennas have been approved for Europe as stated in the FCC table for use with the ConnectCore 8M Nano module.

Country list



AT	BE	BG	CZ	DK
EE	FR	DE	IS	IE
IT	EL	ES	CY	LV
LI	LT	LU	HU	MT
NL	NO	PL	PT	RO
SI	SK	TR	FI	SE
CH	UK	HR		

Note This device is restricted to indoor use only when operating in the 5150-5350MHz frequency range within all member states.

Radio Type / Description		Transmitter Frequency (MHz)	Maximum Output Power
Bluetooth	BR+EDR	2402 ~ 2480	15.86 dBm
	Low Energy	2402 ~ 2480	6.88 dBm
WLAN 2.4G	802.11b	2412 ~ 2472	19.24 dBm
	802.11g	2412 ~ 2472	19.31 dBm
	802.11n 20	2412 ~ 2472	19.54 dBm
	802.11n 40	2422 ~ 2462	19.45 dBm

Radio Type / Description		Transmitter Frequency (MHz)	Maximum Output Power
WLAN 5G	802.11a	5150 ~ 5350	22.16 dBm
		5470 ~ 5725	21.99 dBm
		5725 ~ 5850	13.17 dBm
	802.11n_20M 802.11ac_20M	5150 ~ 5350	22.22 dBm
		5470 ~ 5725	22.00 dBm
		5725 ~ 5850	13.16 dBm
	802.11n_40M 802.11ac_40M	5150 ~ 5350	22.55 dBm
		5470 ~ 5725	21.82 dBm
		5725 ~ 5850	13.28 dBm
	80211ac_80M	5150 ~ 5350	21.52 dBm
		5470 ~ 5725	20.90 dBm
		5725 ~ 5850	13.15 dBm

Canada (IC)

IC: 1846A-CCIMX8MN

PMN: ConnectCore 8M Nano

HVIN: CC8MN

Canadian Notice

This device contains licence-exempt transmitter(s)/receiver(s) that comply with Innovation, Science and Economic Development Canada's licence-exempt RSS(s). Operation is subject to the following two conditions:

1. This device may not cause interference.
2. This device must accept any interference, including interference that may cause undesired operation of the device.

Avis Canadien

L'émetteur/récepteur exempt de licence contenu dans le présent appareil est conforme aux CNR d'Innovation, Sciences et Développement économique Canada applicables aux appareils radio exempts de licence. L'exploitation est autorisée aux deux conditions suivantes :

1. L'appareil ne doit pas produire de brouillage;
2. L'appareil doit accepter tout brouillage radioélectrique subi, même si le brouillage est susceptible d'en compromettre le fonctionnement.

Labeling requirements

Labeling requirements for Industry Canada are similar to those of the FCC.

Required End Product Labeling

Any device incorporating this module must include an external, visible, permanent marking or label which states: "Contains IC : 1846A-CCIMX8MN"

Obligation d'étiquetage du produit final:

Tout dispositif intégrant ce module doit comporter un externe, visible, marquage permanent ou une étiquette qui dit: "Contient IC : 1846A-CCIMX8MN"

Transmitters with detachable antennas

This radio transmitter (IC: 1846A-CCIMX8MN) has been approved by Industry Canada to operate with the antenna types listed in the table above with the maximum permissible gain and required antenna impedance for each antenna type indicated. Antenna types not included in this list, having a gain greater than the maximum gain indicated for that type, are strictly prohibited for use with this device.

Le présent émetteur radio (IC: 1846A-CCIMX8MN) a été approuvé par Industrie Canada pour fonctionner avec les types d'antenne énumérés ci-dessous et ayant un gain admissible maximal et l'impédance requise pour chaque type d'antenne. Les types

d'antenne non inclus dans cette liste, ou dont le gain est supérieur au gain maximal indiqué, sont strictement interdits pour l'exploitation de l'émetteur.

Under Industry Canada regulations, this radio transmitter may only operate using an antenna of a type and maximum (or lesser) gain approved for the transmitter by Industry Canada. To reduce potential radio interference to other users, the antenna type and its gain should be so chosen that the equivalent isotropically radiated power (e.i.r.p.) is not more than that necessary for successful communication.

Conformément à la réglementation d'Industrie Canada, le présent émetteur radio peut fonctionner avec une antenne d'un type et d'un gain maximal (ou inférieur) approuvé pour l'émetteur par Industrie Canada. Dans le but de réduire les risques de brouillage radioélectrique à l'intention des autres utilisateurs, il faut choisir le type d'antenne et son gain de sorte que la puissance isotrope rayonnée équivalente (p.i.r.e.) ne dépasse pas l'intensité nécessaire à l'établissement d'une communication satisfaisante.

The ConnectCore 8M Nano module is for professional (OEM) installation only.

Le module ConnectCore 8M Nano doit impérativement être installé par un professionnel (OEM).

RF exposure



To satisfy Industry Canada RF exposure requirements, a separation distance of 20 cm or more should be maintained between the antenna of this device and persons during device operation.

Pour satisfaire aux exigences d'Industrie Canada concernant l'exposition RF, une distance égale ou supérieure à 20cm doit être respectée entre les antennes de ce produit et les personnes se trouvant à proximité.

The preceding statement must be included as a CAUTION statement in OEM product manuals in order to alert users of Industry Canada RF Exposure compliance.

Cette information doit être incluse dans le manuel du produit OEM afin d'alerter les utilisateurs sur la nécessité de respecter l'exposition RF d'Industrie Canada.

Approved antennas

The same antennas have been approved for Canada as stated in the FCC table for use with the ConnectCore 8M Nano module.

Japan

電波法により5GHz帯は屋内使用に限ります。

This device has been granted a designation number by Ministry of Internal Affairs and Communications according to:

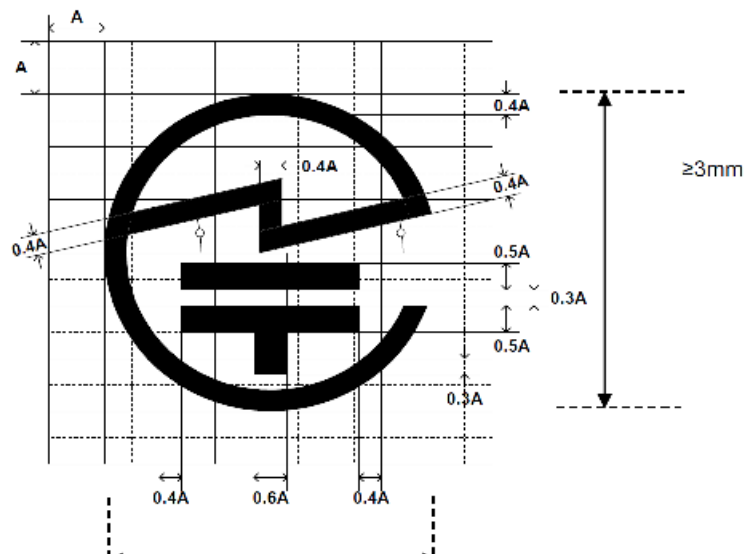
Ordinance concerning Technical Regulations Conformity Certification etc. of Specified Radio Equipment (特定無線設備の技術基準適合証明等に関する規則).

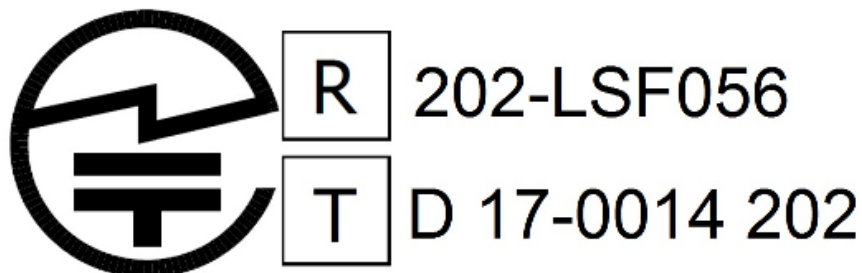
- Article 2, Paragraph 1, Item 19, 19-3, 19-3-2 Category: WW, XW, YW
- Model/Name of equipment: ConnectCore 8M Nano
- Radio label marking:
 - R: 202-SMI060
 - T: D 20-0019 202

This device should not be modified (otherwise the granted designation number will be invalid).

- 2.412 to 2.472 GHz; 13 channels
- 5.180 to 5.320 GHz; 8 channels
- 5.500 to 5.700 GHz; 11 channels

Approval Label (MIC Marking)



Label text

Note Due to space constraints, the ConnectCore 8M Nano module label doesn't support radio marking for Japan. If space allows, end product label should support radio marking for Japan. If not, radio marking shall be documented in the user manual.

Note The warning "Indoor only(5GHz)" must go on the end product – or E Label (Display).

Master station: Indoor only

親局: 当該無線設備の送信は、屋内のみにおいて使用可能である旨

Slave station: The transmission of radio equipment is indoors use only (Except when communicating with 5.2GHz high power base stations or relay stations)

子局: 当該無線設備の送信は、5.2GHz帯高出力データ通信システムの基地局または陸上移動中継局と通信する場合を除き、屋内においてのみ可能である旨。

If the device is too small it can be displayed on the user manual and on the packaging or container.

Bluetooth

Products using ConnectCore 8M Nano Bluetooth interface need to apply for their own end product listing (EPL) at the Bluetooth SIG. At the hardware level, the ConnectCore 8M Nano is listed as a Controller Subsystem under the following identifiers:

- QDID # *TBD*
- Declaration ID # *TBD*

The Digi BlueZ Bluetooth library in the Linux firmware is listed as a Host Subsystem under the following identifiers:

- QD ID # 99403
- Declaration ID # D037483

You can combine these hardware and firmware elements into a new end product that is Bluetooth Sig-qualified with no additional Bluetooth testing, as long as you do not introduce any modifications to the Bluetooth design.

Once your end product is listed, you can label your product as a Bluetooth device.

