

R204202000330
55002070-01 1P
2042



CC8MN
WIFI/BT 1GB/8GB
PN(1P): 50002027-01 1P
SN: R204202000330
MAC: 0004F31E B716
CoO: ESP 2042

DIGI!

FCC ID: MCQ-CCIMX8MN

IC: 1846A-CCIMX8MN



R202-SM160

D 20-0019 202

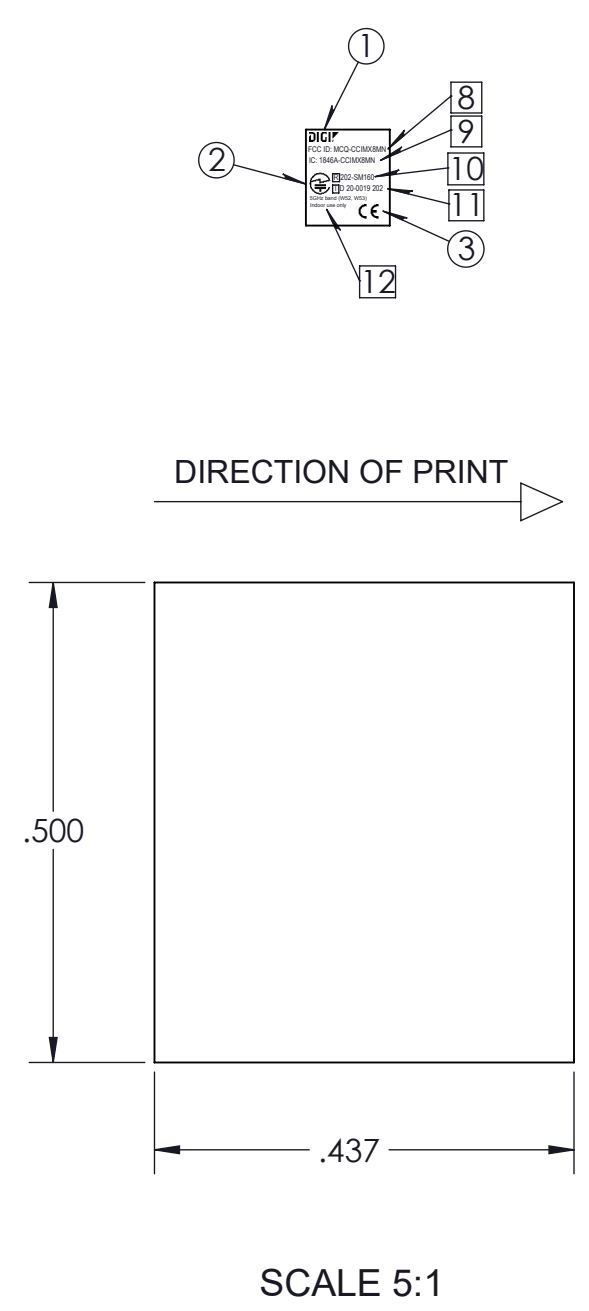
5GHz band (W52, W53)

Indoor use only



BALLOON DESIGNATION SYMBOL	
① ←	ITEM NUMBER
② ←	NOTE REFERENCE

THIS DOCUMENT CONTAINS PROPRIETARY INFORMATION AND EXCEPT WITH WRITTEN PERMISSION OF DIGI, SUCH INFORMATION SHALL NOT BE PUBLISHED OR DISCLOSED TO OTHERS, OR USED FOR ANY PURPOSE AND THE DOCUMENT SHALL NOT BE COPIED IN WHOLE OR PART



REVISION HISTORY				
REV	ECO	DESCRIPTION	DATE	DRW/CHK
B	NA	NEW LABEL	29JAN21	JCR/EM

1. MATERIAL: FOR LABEL STOCK AND RIBBON SEE B.O.M.

2. ADD DIGI P/N, REVISION, DATE CODE, AND VENDOR LOGO USING PERMANENT INK TO THE INNER DIAMETER OF THE ROLL. ALSO MARK THE ROLL WITH A SHELF LIFE/EXPIRATION DATE AS NECESSARY.

3. THE SUPPLIER/MANUFACTURER IS REQUIRED TO IDENTIFY THEIR U/L NUMBER AND THE LABEL SYSTEM NUMBER ON THE PACKAGING/PRODUCT LABELS AND CONTAINER LABEL. THIS INFORMATION MAY ALSO BE LISTED ON THE CERTIFICATE OF CONFORMANCE.

4. AT THE TIME OF FABRICATION, MANUFACTURING PROCESS AND MATERIALS SHALL COMPLY WITH THE CURRENT REVISION OF THE FOLLOWING REGULATIONS:
 · EU AND CHINA ROHS DIRECTIVES.
 · REACH SVCH DIRECTIVES.
 · SECTION 1502 OF THE U.S. DODD-FRANK WALL STREET REFORM AND CONSUMER PROTECTION ACT REGARDING CONFLICT MINERALS.

5. ALL COMPONENT SHIPMENTS TO INCLUDE CERTIFICATE OF CONFORMANCE. COC MUST STATE PARTS ARE BUILT TO DRAWING SPECIFICATIONS.

6. DURABILITY: THE LABEL SYSTEM (SUBSTRATE, INK AND ADHESIVE) SHALL PASS A RUB TEST PER IEC 62368-1.

7. CHEMICAL COMPATIBILITY: THE LABEL SYSTEM SHALL BE COMPATIBLE WITH THE FOLLOWING CHEMICALS AND PROCESSES:
 CONFORMAL COATING (XYLENE)
 VAPOR DEGREASING (ENTRON-CE SOLVENT OR EQUIVALENT).

⑧ FCC ID
 TEXT "FCC ID: MCQ-CCIMX8MN"
 FONT = ARIAL NARROW; COLOR = BLACK; SIZE = 3PT.

⑨ IC
 TEXT "IC: 1846A-CCIMX8MN"
 FONT = ARIAL NARROW; COLOR = BLACK; SIZE = 3PT.

⑩ JAPANESE CERTIFICATION INFORMATION (TELEC)
 TEXT "⑩ 202-SM160"
 FONT = ARIAL NARROW; COLOR = BLACK; SIZE = 3PT.

⑪ JAPANESE CERTIFICATION INFORMATION (TELEC)
 TEXT "⑪ D 20-0019 202"
 FONT = ARIAL NARROW; COLOR = BLACK; SIZE = 3PT.

⑫ JAPANESE CERTIFICATION INFORMATION (TELEC)
 TEXT "⑫ 5GHz band (WS2, WS3)
 Indoor use only"
 FONT = ARIAL; COLOR = BLACK; SIZE = 2PT.

⑬ SEE B.O.M. FOR SYMBOL IMAGES.

DRAWN J.ROBERTS	DATE: 01/29/21	
CHECKED EMARTINEZ	DATE: 01/29/21	
	DATE: XX/XX/2020	
	DATE: XX/XX/2020	
	DATE: XX/XX/2020	TITLE Text, QR 50002027-01 LBL
	DATE: XX/XX/2020	SIZE D CAGE CODE 08TP3 DWG NO: 95022548 REV B
	DATE: XX/XX/2020	SCALE NTS DO NOT SCALE DRAWING SHEET 1 OF 1