

FCC ID: MCQ-50M880





Digi!
 Connect Wi-Fi
 CF/W/JTAG

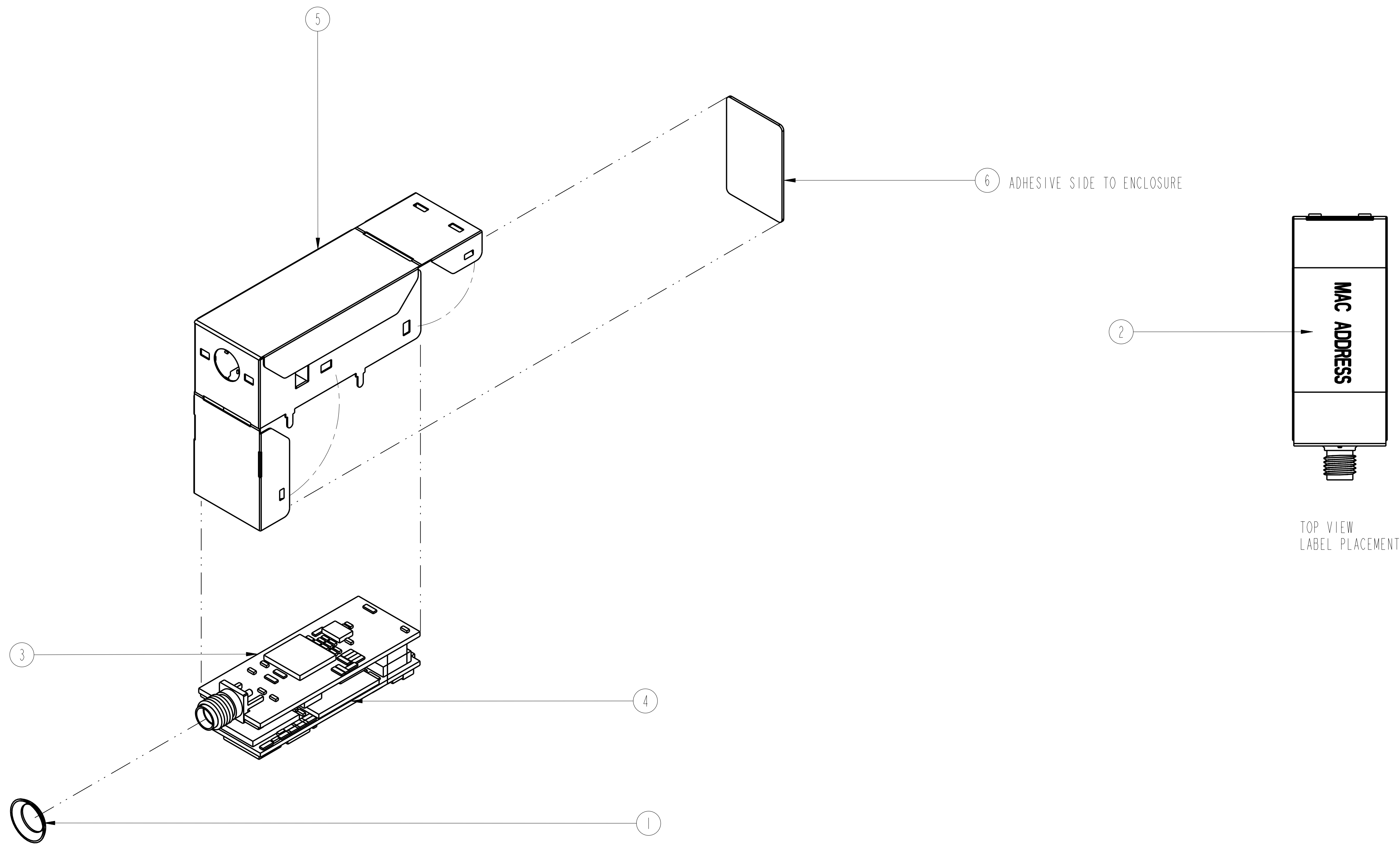
 MAC Address
 00409D:229941


PN:(P) 5000880-03 ??
 Co:USA 95010459 A
 US Patent# 6,448,192

Label

May be SFM depending upon firmware shipped with the EUT.

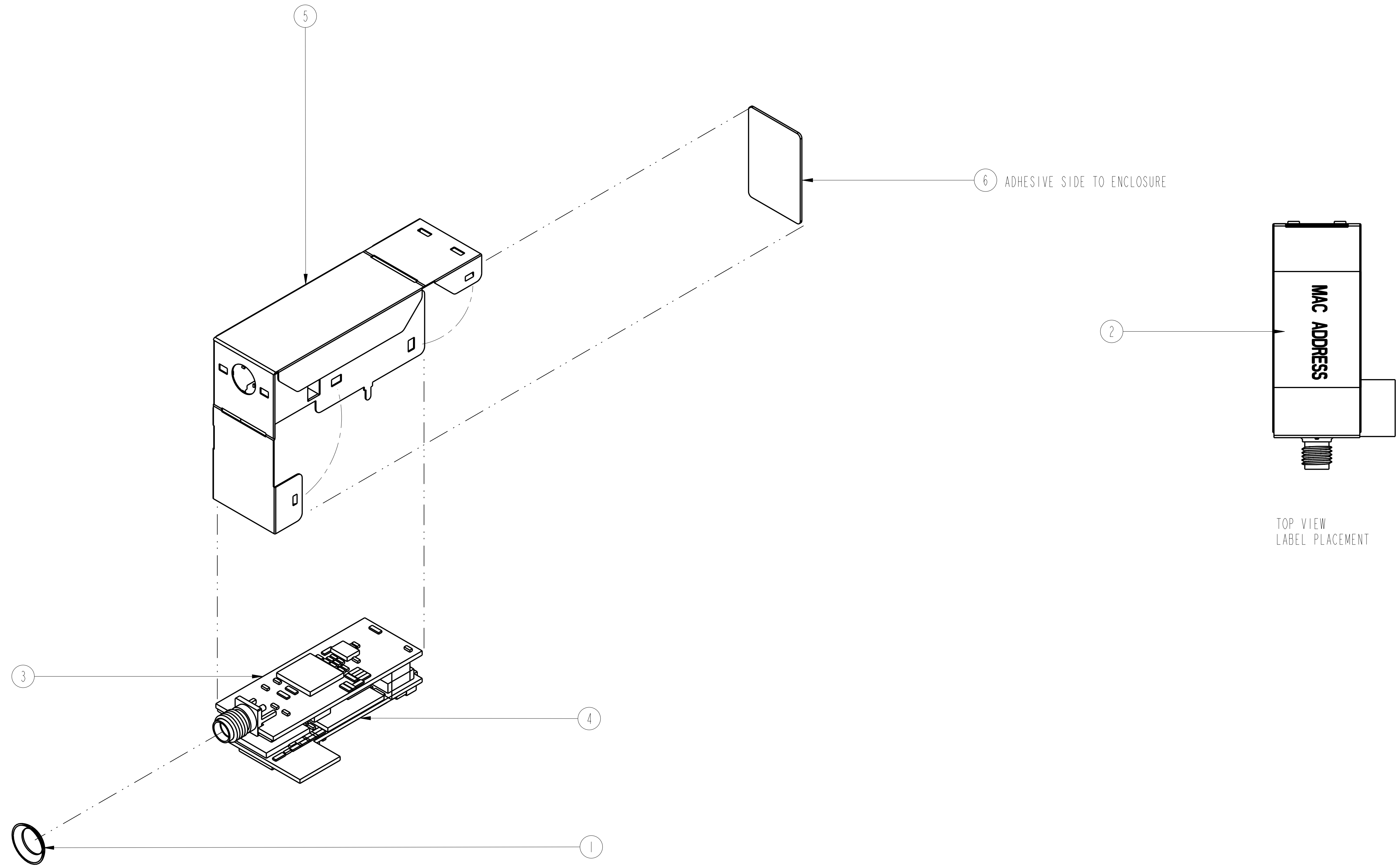
The "??" will be replaced with Rev A once certification approval is received.
 The "-XX" represents the firmware shipped with the EUT



NOTES:

THIS DOCUMENT CONTAINS INFORMATION PROPRIETARY AND CONFIDENTIAL TO DIGI INTERNATIONAL INC. BY ACCEPTING DELIVERY, RECIPIENT AGREES TO RETAIN IT IN CONFIDENCE AND NOT DISCLOSE IT TO OTHERS NOR USE IT FOR ANY PURPOSE OTHER THAN THAT FOR WHICH IT WAS DELIVERED, AND TO PROMPTLY RETURN IT UPON REQUEST.

UNLESS OTHERWISE SPECIFIED ALL DIMENSIONS ARE IN INCHES... TOLERANCES ARE AS FOLLOWS: .XX +/- .02 .XXX +/- .010 ANGLES +/- 2°		A 103003 NEW RELEASE		CBB	CBB	CBB	04-28-04	
THIRD ANGLE PROJECTION 		REV	ECO	DESCRIPTION OF CHANGE	BY	CKD	APPR	DATE
MATERIAL SEE B.O.M.		APPROVALS		DATE				TITLE DWG, CONNECT Wi-ME
FINISH		DESIGNED	CBB	04-28-04				
DO NOT SCALE DRAWING		DRAWN	CBB	04-28-04	SIZE	CODE	PART NO.	REV
		ENGINEER	CBB	04-28-04	D		50000880-XX	A
		SCALE 2:1		PRO/ENGINEER	SHEET 1 OF 2			



NOTES:

THIS DOCUMENT CONTAINS INFORMATION PROPRIETARY AND CONFIDENTIAL TO DIGI INTERNATIONAL INC. BY ACCEPTING DELIVERY, RECIPIENT AGREES TO RETAIN IT IN CONFIDENCE AND NOT DISCLOSE IT TO OTHERS NOR USE IT FOR ANY PURPOSE OTHER THAN THAT FOR WHICH IT WAS DELIVERED, AND TO PROMPTLY RETURN IT UPON REQUEST.



A	103003	NEW RELEASE	CBB	CBB	CBB	04-28-04
REV	ECO	DESCRIPTION OF CHANGE	BY	CKD	APPR	DATE
DESIGNED	CBB	04-28-04	TITLE			
ENGINEER	CBB	04-28-04	DWG, CONNECT Wi-ME			
SIZE		CODE	PART NO.		REV	
D			50000880-XX		A	
SCALE 2:1			PRO/ENGINEER		SHEET 2 OF 2	