



*ConnectCore™ 9M 2443
and Wi-9M 2443*

Hardware Reference

90000952_B

Release date: August 2009

©2009 Digi International Inc.
All rights reserved.

Digi, Digi International, the Digi logo, a Digi International Company, Digi JumpStart Kit and ConnectCore are trademarks or registered trademarks of Digi International, Inc. in the United States and other countries worldwide. All other trademarks are the property of their respective owners.

All other trademarks mentioned in this document are the property of their respective owners.

Information in this document is subject to change without notice and does not represent a commitment on the part of Digi International.

Digi provides this document “as is,” without warranty of any kind, either expressed or implied, including, but not limited to, the implied warranties of fitness or merchantability for a particular purpose. Digi may make improvements and/or changes in this manual or in the product(s) and/or the program(s) described in this manual at any time.

This product could include technical inaccuracies or typographical errors. Changes are periodically made to the information herein; these changes may be incorporated in new editions of the publication.



This guide provides information about the Digi ConnectCore 9M 2443 embedded core module family. Visit the Digi support website: www.digiembedded.com/support.

To access current technical documentation available for the S3C2443 processor, please visit the Samsung website.

Conventions used in this guide

This table describes the typographic conventions used in this guide:

This convention	Is used for
<i>italic type</i>	Emphasis, new terms, variables, and document titles.
monospaced type	Filenames, pathnames, and code examples.

Digi information

Documentation updates

Please always check the product specific section on the Digi support website for the most current revision of this document: www.digiembedded.com/support.

Change Log

Revision B

- Added WLAN information for the ConnectCore Wi-9M 2443.
- Added WLAN information under environmental specifications in Appendix A.
- Added a new drawing on page 136.
- Made minor document updates.

Contact information

For more information about your Digi products, or for customer service and technical support, contact Digi International.

To contact Digi International by	Use
Mail	Digi International 11001 Bren Road East Minnetonka, MN 55343 U.S.A
World Wide Web	http://www.digiembedded.com/support/
email	http://www.digiembedded.com/support/
Telephone (U.S.)	(952) 912-3444 or (877) 912-3444
Telephone (other locations)	+1 (952) 912-3444 or (877) 912-3444

Contents



Change Log	5
Revision B	5
Chapter 1: About the Module	12
Features and functionality	12
Block diagrams	16
CPU	16
Module	17
Detailed module description	18
Configuration	18
Power Supply	18
Power management.....	19
NORMAL mode	20
IDLE mode	20
STOP mode	20
SLEEP mode	20
Wake-up event	21
Reset	22
Memory	23
DDR SDRAM memory	23
NAND Flash memory	23
Configuration pins - CPU module	24
Chip selects	25
Chip select memory map	25
Multiplexed GPIO pins	26
S3C2443X Port Configuration	26
Interfaces	32
RTC	32
UART interface	32
SPI interface	34
I2C interface	35
USB interface	35
Ethernet interface	36
WLAN interface.....	37
A/D converter and touch screen interface.....	37
Touch screen interface modes	37
Reset controller	38

JTAG	38
Common features	38
Watchdog timer	39
IIS-Bus interface	39
IIS block diagram:	40
IIS-Bus format.....	40
Camera interface.....	41
.....	41
AC97 Controller.....	42
SD host interface	44
PWM timer.....	44
Clock output	45
CF/ATA.....	45
PC card controller.....	46
ATA controller	46
High-speed MMC	46
High speed SPI	47
External address/data bus.....	47
WLAN connectors.....	47
LCD controller display features	49
STN LCD displays	49
TFT LCD displays	49
Common features	49
Module pinout	50
System connector X1	50
System connector X2	56
Configuration pins - CPU.....	61

Chapter 2: About the Development Board	62
What's on the development board?	62
The development board.....	63
User interface	64
Power management.....	64
General information	64
Power supply.....	64
3.3VDC power controller - VLIO.....	65
Power LEDs.....	65
Coin cell for RTC	65
Current measuring option.....	65
Reset	65
JTAG interface	65
I ² C interface	65
PoE connectors	65
Peripheral application connector.....	66
LCD Application Kit Connector	66



VGA interface	66
UARTs	66
UART A - console	66
UART B - UART / MEI	66
UART C - TTL interface	66
UART D - TTL interface	66
SPI interface(s)	67
Camera interface.....	68
Switches and push-buttons	69
Reset control, S1	69
Power switch, S2	69
Legend for multi-pin switches.....	70
Module configuration switches, S4.....	70
Serial port B MEI configuration switches.....	70
Test points	71
Numbers and description.....	71
Factory default interface configuration for development board	72
LEDs	73
WLAN, LE10.....	73
Power LEDs, LE1, LE4, and LE7.....	73
User LEDs, LE5 and LE6.....	74
Serial status LEDs.....	74
Status LEDs Serial port A	75
Status LEDs Serial port B	75
Debug, LE3	75
Battery and battery holder	76
Serial UART ports.....	77
Serial port A, RS232, X27	77
Serial port B, MEI interface, X16.....	79
Serial port C, TTL interface, X19	79
Serial port D, TTL interface, X22	80
I2C interface	81
I2C connector, X22	81
SPI interface	82
X8-SPI connector.....	83
Current Measurement Option.....	84
Measurement options	84
How the CMO works.....	85
PoE module connectors - IEEE802.3af.....	86
The PoE module	87
PoE connector (power in), X17	87
PoE connector (power out), X26	87
POE_GND.....	87
VGA connector	88
VGA connector, X18.....	88

USB connectors	90
USB device connector, X15	90
USB host connector, X14	90
Digital I/O	91
I2C digital I/O expansion, X44	91
JTAG interface	92
Standard JTAG ARM connector, X13	93
Peripheral (extension) headers	94
LCD application header, X5	95
Peripheral application header, X3	96
Module connectors and signal rails	97
Signal rails	97
X10 pinout	98
X11 pinout	99
X20 pinout	100
X21 pinout	101
Power connector	102
Jumpers	103
Jumpers	104
Ethernet interface	105
RJ-45 pin allocation, X7	106
WLAN Interface	108
Interfaces without special connectors	109
ADC signals	109
CF signals	109
I2S/AC97 signals	110
SPI1 signal	110
Module and test connectors	111
X1 pinout	111
X2 pinout	121
Network interface	128
WLAN interface	128
Environmental specifications	130
ConnectCore	
9M 2443	130
ConnectCore	
Wi-9M 2443	130
Thermal specifications	131
Standard Operating Temperature Ranges	131
recommendations	132
Power requirements	133
Typical Power Requirements	133
ConnectCore 9M 2443	133
ConnectCore “Wi-9M 2443”	134
Mechanical specifications	136



ConnectCore 9M 2443	136
ConnectCore	
Wi-9M 2443	138
Connector Reference Parts	139
Base Board Connector X1, X2	139
Base Board Connector X3, X4	139
Cable specification : U.FL/W.FL to RP-SMA FEMALE	140
Attributes	140
Dimensions	140
Antenna specification: 802.11a/b/g antenna	141
Attributes	141
Dimensions	141
Antenna Specification: 802.11b/g antenna	142
Attributes	142
Dimensions	142
Polar Plots	143
Safety statements	144
.....	144
FCC Part 15 Class B	145

About the Module

C H A P T E R 1

The network-enabled ConnectCore 9M 2443 core module family delivers leading performance, low power operation, and rich peripheral interface support for a wide variety of applications, including medical devices, transportation, security/access control, networked displays, and more.

The modules utilize an innovative and power-efficient Samsung S3C2443 processor with up to 533 MHz and a multilayered memory bus architecture that allows simultaneous data transfer between processor, memory and peripherals. This optimized design eliminates the traditional bus bandwidth bottlenecks that are common on other platforms. For example, updating graphical information through the LCD controller and retrieving relevant data from memory at the same time can now be realized without compromising overall performance and user experience.

Designed from the ground up with power budget conscious applications in mind, the ConnectCore 9M 2443 module family is an ideal system platform for mobile and battery-operated product designs with full off-the-shelf hard- and software support for all power management modes. The modules also offer a wide variety of on-board peripherals such as network connectivity options, a TFT/CSTN LCD controller, camera interface, audio codec interfaces, hi-speed USB device, full-speed USB host, high-speed memory card support, external mass storage, and other interfaces.

Features and functionality

32-bit Samsung S3C2443 processor

- ARM920T core at 400/533 MHz
- 16 KB of instruction/data cache
- Up to 133 MHz memory bus speed
- Up to 1 GB of NAND Flash
- Up to 256 MB DDR SDRAM

LCD controller (CSTN/TFT)

- Up to 1024x1024 pixels resolution
- Up to 16 grey levels/4096 colors (STN)
- Up to 24 bpp, two overlay windows (TFT)

Camera interface

- ITU-R BT 601/656 8-bit mode support
- 4096x4096 pixels / 2048x2048 scaling
- Mirror, 180° rotation, digital zoom in
- RGB 16/24-bit, YCbCr 4:2:0/4:2:2 output

I2S and AC'97 audio codec controllers

USB support with integrated PHYs

- USB 2.0 device, 1-port, high-/full-speed
- USB 1.1 host, 2-port, low-/full-speed
- Ethernet interface
 - 10/100 Mbit Ethernet MAC and PHY
- WLAN interface
 - 802.11a/b/g WLAN interface with dual-diversity antenna setup

4-channel UART

- Up to 921 kbps, IrDA 1.0 SIR mode

2-port SPI/Single-port HS-SPI

- Master and slave mode
- Up to 33 MHz

I2C-Bus Interface

- 1-ch Multi-Master IIC-Bus
- Serial, 8-bit oriented and bi-directional data transfers up to 100 Kbit/s in Standard mode or up to 400 Kbit/s in fast mode

SD/SDIO/MMC

- 1-/4-bit and block/stream, up to 25 MHz High-Speed (HS) MMC
- SD HC 1.0, SD MC 2.1, SDIO 1.0, MMC 4.2
- 1-/4-/8-bit modes, up to 50 MHz
- CE-ATA mode support

CF/ATA

- Compact Flash 3.0 PC card mode
- ATA/ATAPI-6 mode with PIO/UDMA

10-bit ADC & Touch Screen Interface

- 10-channel multiplexed, 500k samples/s

Timers/PWM

- 4-ch 16-bit timer/PWM, 1-ch 16-bit internal

8-/16-bit external memory bus interface

Power management modes

- Normal, idle, stop, and sleep
- Ext IRQ, RTC alarm, tick interrupt wake-up

GPIO options

- Up to 15 external IRQs
- Up to 134 GPIOs

Watchdog Timer (16-bit)

Real-time clock with calendar function

Two 120-pin board-to-board connectors

JTAG signals available on module connectors

Standard module variants

The ConnectCore 9M 2443 module is currently available in the standard variants below.

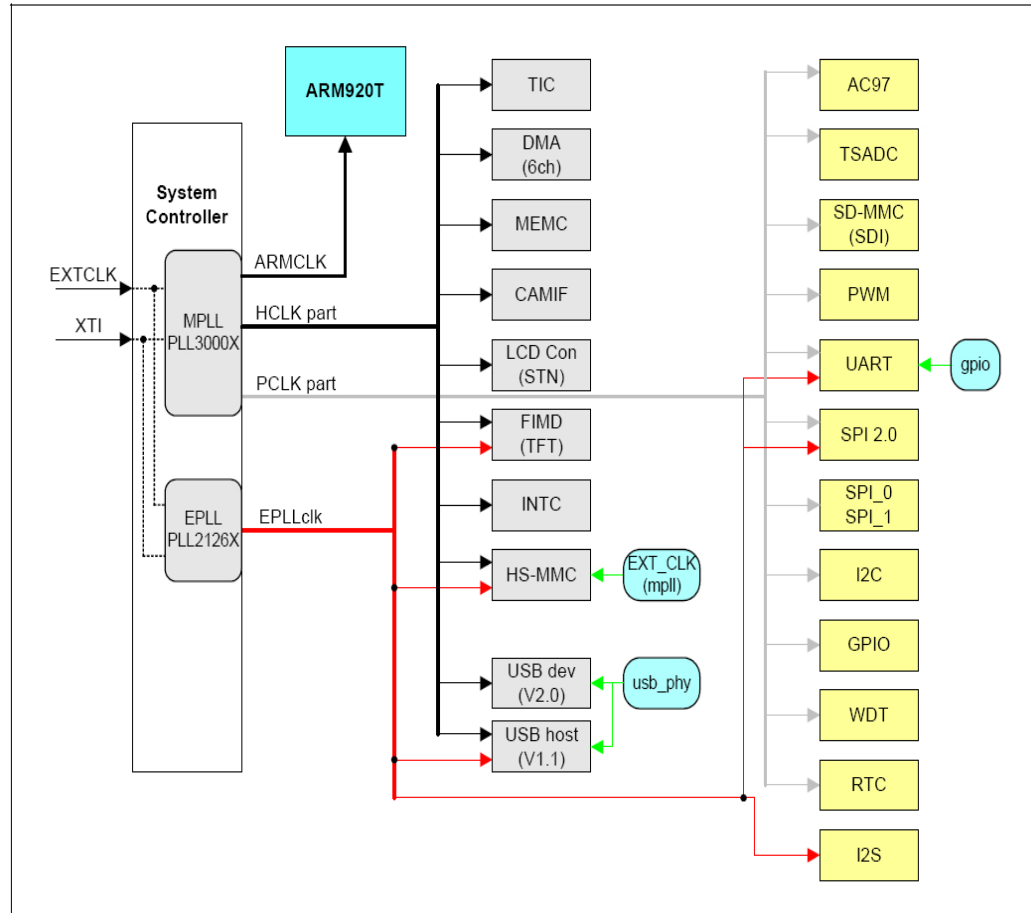
Speed	Flash	SDRAM	Operating temperature	P/N
533 MHz	128 MB	64 MB	-40 to 85C	CC-9M-NA37-Z1
533 MHz	64MB	32 MB	-40 to 85C	CC-9M-NA26-Z1
400 MHz	64 MB	32 MB	-20 to 70C	CC-9M-QA25-Z1
533 MHz	128 MB	64 MB	-40 to 65C*	CC-W9M-NA37-XE
533 MHz	64MB	32 MB	-40 to 65C*	CC-W9M-NA26-XE
400 MHz	64 MB	32 MB	-20 to 65C*	CC-W9M-QA25-XE

* See section "Thermal specifications" in this document for details.

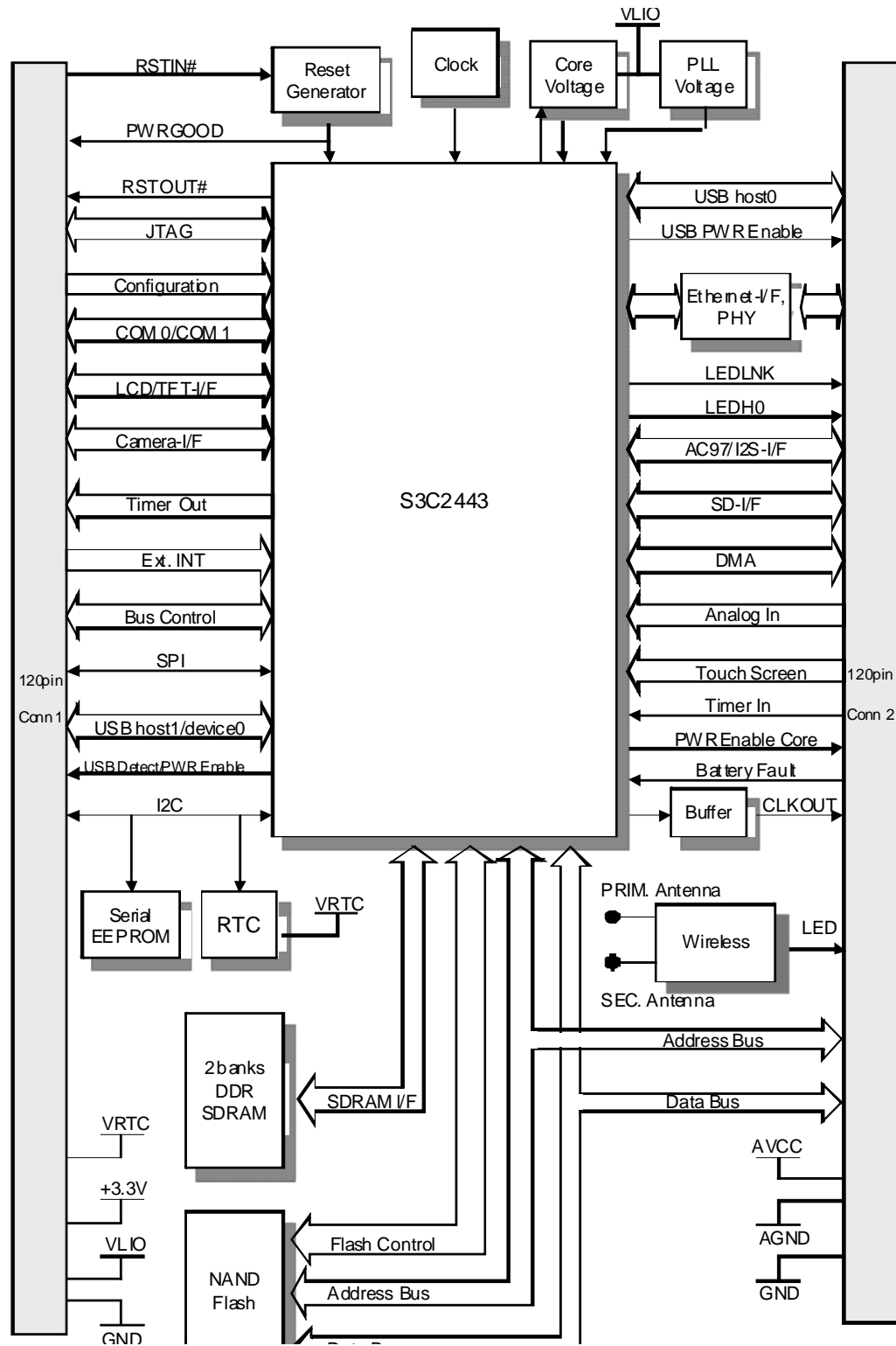
Please visit the Digi website, www.digiembedded.com/support, or contact Digi for additional population options.

Block diagrams

CPU



Module



Detailed module description

Configuration

The ConnectCore 9M 2443 Module supports 8 configuration pins:

- 4 pins provided for software configuration, which are routed to standard pin locations on the development board (CONF[7:4]).
- 4 pins provided for hardware configuration, routed to the base board at standard pin locations, including debug enable (DEBUG_EN#) and NAND flash write protect (NAND_FWP#).

Power Supply

The common power supply for the module is 3.3VDC. VLIO has to be connected to 3.3V on the base board.

The CPU specific core voltage of 1.2V@300MHz (1.3V@400MHz) and the voltage for VDD alive will be generated on the module from the VLIO input, while the voltage for memory power supply and I/Os is fed directly from the 3.3V.

The following requirements have to be met by the power supply:

Power Supply	@400MHz	@533MHz
Module Power Supply 3.3V	3.3V \pm 5%	3.3V \pm 5%
Module Power Supply VLIO	3.3V \pm 5%	3.3V \pm 5%
Core Voltage	1.3V (1.25V - 1.35V)	1.375 (1.325V - 1.425V)
VDD alive	1.15V - 1.35V	1.15V - 1.2V
Voltage for internal RTC	3V (1.8V - 3.6V)	3V (1.8V - 3.6V)
Power Supply for ext. RTC VRTC	3V (e.g. Li-Battery)	3V (e.g. Li-Battery)
Analog Voltage	3.3V (3V - 3.6V)	3.3V (3V - 3.6V)
VIN at common CPU pins	-0.3V - 3.3V \pm 0.3V	-0.3V - 3.3V \pm 0.3V

The voltage at pin RTCVDD has been connected to 3.3V, even though the RTC is not used. If VDD_RTC is not used, it has to be high (VDD_RTC=3.3V).

The S3C2443 supports DVS (dynamic voltage scaling). This means that the core voltage may be reduced to 1V in idle mode while clock frequency is also reduced.

VRTC is used to connect a battery on the base board for the external RTC on the module. If the external RTC is not used, pin VRTC doesn't need to be connected. VRTC is only used to power the external RTC on the module.

If a battery supplies the power for the module, the pin BATT_FLT# can be connected to a comparator output on the base board. The comparator may supervise the battery voltage on the base board. The CPU does not wake up at power-off mode in case of

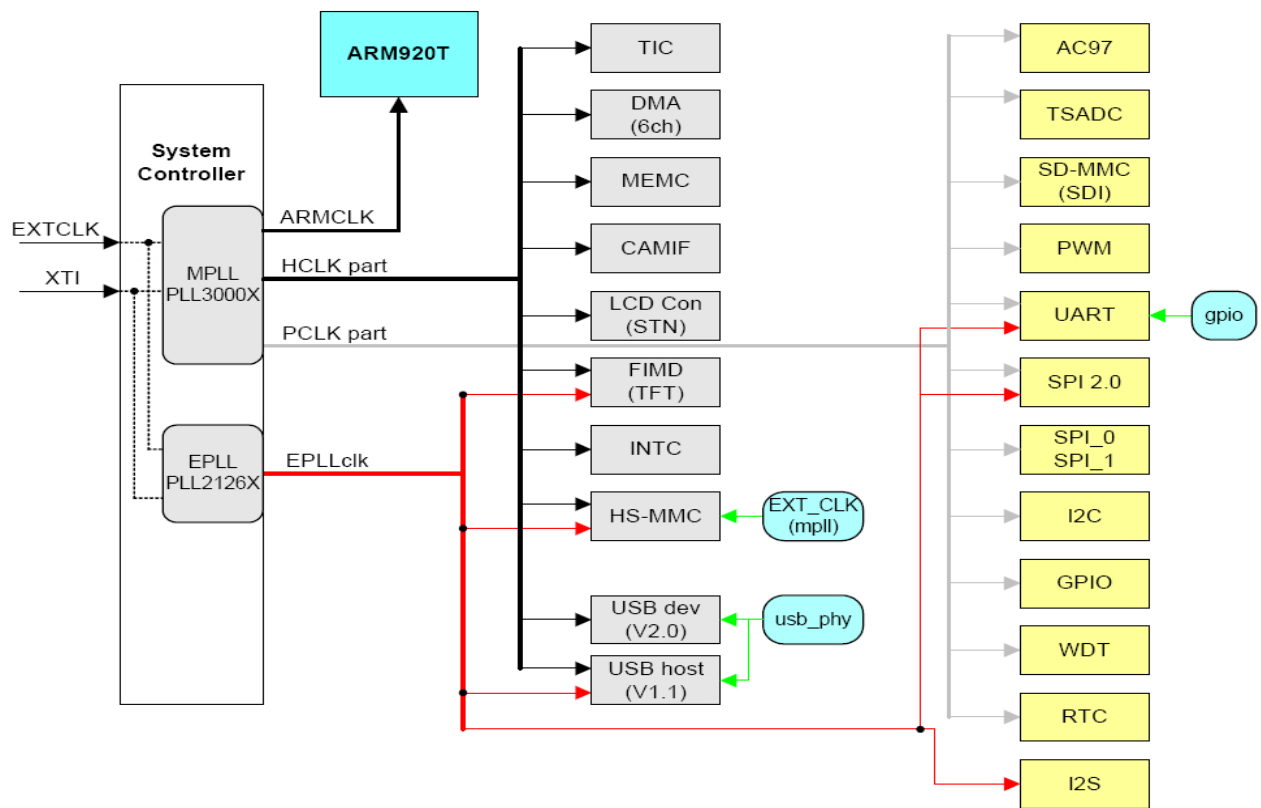
low battery state. If this feature is not used, the pin has to be left open, because a 10k pull up resistor is provided at the module.

Analog voltage AVCC and AGND, e.g. for a touch screen, are also provided on the module system connector.

For the power control logic, the S3C2443 has various power management schemes to keep optimal power consumption for a given task. These schemes are related to PLL, clock control logics (ARMCLK, HCLK, and PCLK) and wakeup signals.

- ARMCLK is used for ARM920T core.
- HCLK is the reference clock for internal AHB bus and peripherals such as the memory controller, the interrupt controller, LCD controller, the DMA, USB host block, System Controller, Power down controller and etc.
- PCLK is used for internal APB bus and peripherals such as WDT, IIS, I2C, PWM timer, ADC, UART, GPIO, RTC and SPI etc.

The following figure shows the clock distribution:



Power management

The power management block in the S3C2443 can activate four modes: NORMAL, STOP, IDLE, and SLEEP. These are described below.

NORMAL mode

In General Clock Gating mode, the On/Off clock gating of the individual clock source of each IP block is performed by controlling each corresponding clock source enable bit. The Clock Gating is applied instantly whenever the corresponding bit is changed.

IDLE mode

In IDLE mode, the clock to the CPU core is stopped. The IDLE mode is activated just after the execution of the STORE instruction that enables the IDLE Mode bit. The IDLE Mode bit should be cleared after wake-up from IDLE state.

STOP mode

All clocks are stopped for minimum power consumption. Therefore, the PLL and oscillator circuits are also stopped (oscillator circuit is controlled by PWRCFG register). The STOP mode is activated after the execution of the STORE instruction that enables the STOP mode bit. The STOP Mode bit should be cleared after wake-up from STOP state.

To exit from STOP mode, external interrupt, RTC alarm, RTC Tick, or BATT_FLT has to be activated. During the wake-up sequence, the crystal oscillator and PLL may begin to operate. The crystal oscillator settle-down time and the PLL lock-time is required for a stable ARMCLK and automatically inserted by the hardware of S3C2443X. During these lock and settle-down times, no clock is supplied to the internal logic circuitry.

The following describes the sequence initiating STOP mode:

- 1 Set the STOP Mode bit (by the main CPU).
- 2 System controller requests bus controller to finish pending transaction.
- 3 Bus controller sends acknowledgement to system controller after bus transactions are completed.
- 4 System controller requests memory controller to enter self-refresh mode, preserving SDRAM contents.
- 5 System controller waits for self-refresh acknowledgement from memory controller.
- 6 After receiving the self-refresh acknowledge, system controller disables system clocks, and switches SYSCLK source to MPLL reference clock.
- 7 Disables PLLs and Crystal (XTI) oscillation. If OSC_EN_STOP bit in PWRCFG register is 'high,' then system controller does not disable crystal oscillation.

Note: DRAM has to be in self-refresh mode during STOP and SLEEP mode to retain valid memory data. LCD must be stopped before STOP and SLEEP mode, because DRAM can not be accessed when it is in self-refresh mode.

SLEEP mode

The block disconnects power to CPU, and the internal logic, with the exception of the wake-up logic. Activating the SLEEP mode requires two independent power sources. One of the two power sources supplies the power for the wake-up logic.

The other power source supplies the CPU and internal logic, and should be controlled for power on/off. In SLEEP mode, the second power supply source for the CPU and internal logic will be turned off. The wake-up from SLEEP mode can be issued by EINT[15:0].

In SLEEP mode, VDDi, VDDiarm, VDDMPLL and VDDEPLL will be turned off, and are controlled by PWREN. If the PWREN signal is activated (H), VDDi and VDDiarm are supplied by an external voltage regulator. If PWREN pin is inactive (L), VDDi and VDDiarm are turned off.

In Power_OFF mode 1.2V have to be supplied to the VDD alive pin, and it is also necessary to provide the I/O-voltages of 1.8V/3.3V. Therefore the LDO, which supplies VDD alive will not be switched off.

The following describes the sequence of entering SLEEP mode:

- 1 One of the SLEEP Mode entering events is triggered by the system software or by the hardware.
- 2 System controller requests bus controller to finish pending transaction.
- 3 Bus controller sends acknowledgement to system controller after bus transactions are completed.
- 4 System controller requests memory controller to enter self-refresh mode, preserving SDRAM contents.
- 5 System controller waits for self-refresh acknowledgement from memory controller.
- 6 After receiving the self-refresh acknowledge, disables the XTAL and PLL oscillation and also disables the external power source for the internal logic by asserting the PWR_EN pin to low state. The PWR_EN pin is the regulator disable control signal for the internal logic power source.

The SLEEP mode exit sequence is as follows.

- 1 System controller enables external power source by deasserting PWR_EN to high state and initiates power settle down programmable through a register in the PWRSETCNT field of RSTCON register.
- 2 System controller releases the System Reset (synchronously, relatively to the system clock) after the power supply is stabilized.

Wake-up event

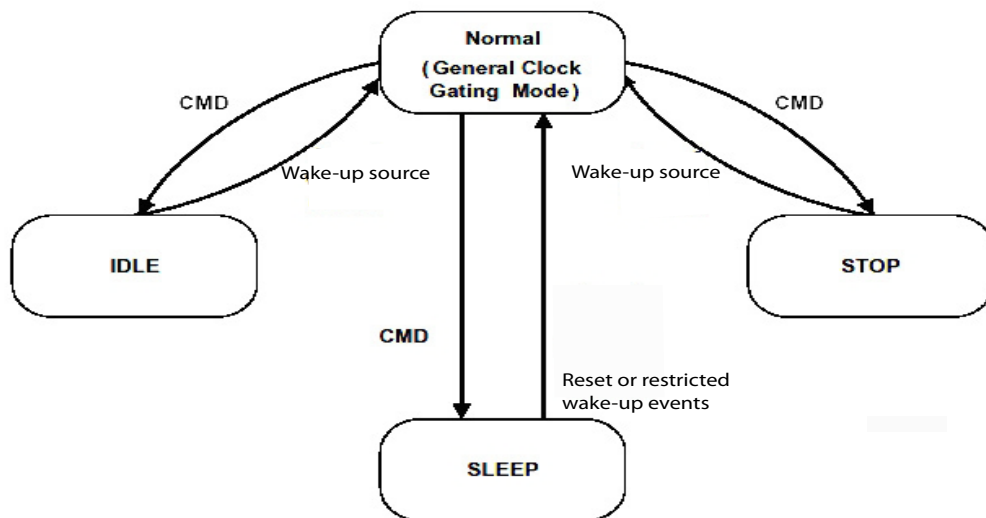
When S3C2443X wakes up from the STOP Mode by an External Interrupt, an RTC alarm interrupt and other interrupts, the PLL is turned on automatically. The initial-state of S3C2443X after wake-up from the SLEEP Mode is almost the same as the Power-On-Reset state except for the contents of the external DRAM is preserved. In contrast, S3C2443X automatically recovers the previous working state after wake-up from the STOP Mode. The following table shows the states of PLLs and internal clocks after wake-ups from the power-saving modes.

Mode before wake-up	PLL on/off after wake-up	SYSCLK after wake-up and before the lock time	SYSCLK after the lock time by internal logic
IDLE	Unchanged	PLL output	PLL output
STOP	PLL state ahead of entering STOP mode (PLL ON or not)	PLL reference clock	SYSCLK ahead of entering STOP mode (PLL output or not)
SLEEP	Off	PLL reference clock	PLL reference (input) clock

- To enter sleep mode by BATT_FLT, BATF_CFG bits of PWRCFG register must be configured.
- Do not exit from sleep mode when BATT_FLT is LOW; SLEEP_CFG bit of PWRCFG register must be configured.

A Battery Fault Signal (BATT_FLT#) is provided at the CPU to recognize the battery state of the battery at the base board, which powers the module. Therefore this pin is routed to the system connector. At the base board a comparator has to supervise the battery state and the output of the comparator delivers the BATT_FLT# signal.

The figure below shows the power management state diagram:



Reset

There are 3 reset signals defined, which are routed to the system connector:

- a reset input to the module (RSTIN#)
- an output of the reset controller from the module (PWRGOOD)
- a reset output from the CPU (RSTOUT#)

- RSTIN# signal from the base board is connected to the reset generator device on the module. At the base board there could be a reset switch connected to the RSTIN# signal. A 10k pull up resistor is connected to the RSTIN# signal on the module.
- PWRGOOD must be held to low level at least 4 FCLKs to recognize the reset signal.

The low active reset of the reset controller is connected to the system via a 470R series resistor.

RSTOUT# can be used for external device reset control. RSTOUT# is a function of Watchdog Reset and Software Reset (RSTOUT# = PWRGOOD & WDTRST# & SW_RESET).

Memory

DDR SDRAM memory

On the module there are two banks provided for DDR SDRAM memory. Both banks can support a 16-bit mobile DDR memory chip. Bank 1 provides one part of a 16bit DDR SDRAM in a FBGA60 package, with 1.8V power supply.

Total size of memory is possible from 16MB (only one bank) up to 256MB (128MB each bank).

Both banks have to be populated with equal devices since they share all control signals with the exception of their chip selects. These are defined in the bank control registers BANKCFG and BANKCON1-3 and Refresh Control Register.

NAND Flash memory

NAND Flash memory is provided, as a single Flash device. In order to support NAND flash boot loader, the S3C2443 is equipped with an internal SRAM buffer called Steppingstone. When booting, the first 4 KBytes of the NAND flash memory will be loaded into Steppingstone and the boot code loaded into Steppingstone will be executed.

Generally, the boot code will copy NAND flash content to DDR-SDRAM. Using hardware ECC, the NAND flash data validity will be checked. Upon the completion of the copy, the main program will be executed on the DDR-SDRAM.

Features:

- NAND Flash memory I/F: Supports 512Bytes and 2KBytes Page.
- Interface: 8-bit NAND flash memory interface bus.
- Hardware ECC generation, detection and indication (Software correction).

- SFR I/F: Supports Little Endian Mode, Byte/half word/word access to Data and ECC Data register, and Word access to other registers.
- Steppingstone I/F: Supports Little/Big Endian, Byte/half word/word access.
- The Steppingstone 4-KB internal SRAM buffer can be used for another purpose after NAND flash booting.

The write protect pin of the Flash device is routed to the hardware configuration pin of the system connector FWP#. The device can be write protected at the base board by connecting this pin to GND. At the module, a pull-up resistor is equipped.

Configuration pins - CPU module

There are eight configuration pins provided on the system connector. Four of them are provided as hardware configuration pins, and the other four can be used as software configuration pins. A 10k pull up resistor is provided on each signal line of the configuration pins.

The following pins on the connector are defined as hardware configuration pins:

Signal	Description
DEBUGEN#	Debug enable
FWP#	Write protect of internal flash
CONF2	Hardware configuration 2 (not yet used)
CONF3	Hardware configuration 3 (not yet used)

The following port pins are defined as software configuration pins:

Signal	Port Pin	Description
CONF4	GPF2	Software configuration 0
CONF5	GPF3	Software configuration 1
CONF6	GPF4	Software configuration 2
CONF7	GPF5	Software configuration 3

The signal DEBUGEN# (CONF0) from the base board to the module is necessary to allow switching a connection on and off between the system reset and the JTAG reset.

Signal	State	Description
DEBUGEN#	High	Switch is on, TRST# and PWRGOOD are connected (default)
DEBUGEN#	Low	Switch is off, TRST# and PWRGOOD are disconnected

At the module a pull up resistor is provided on the DEBUGEN# signal. Therefore only a jumper to GND is necessary on the base board.

Chip selects

Chip select memory map

Name	CPU Signal name	Pin	Address Range	Size [Mb]	Usage	Comments
SCS0#	SCS0#	H15	0x3000_0000-0x37FF_FFFF	128	SDRAM bank 0	First bank on module
SCS1#	SCS1#	D17	0x3800_0000-0x3FFF_FFFF	128	SDRAM bank 1	
RCS0#	RCS0#	A2	0x0000_0000-0x03FF_FFFF	64	not available	
RCS1#	RCS1#	A1	0x0800_0000-0x083F_FFFF	64	external, RCS1#	
RCS2#	RCS2#	B3	0x1000_0000-0x103F_FFFF	64	external, RCS2#	
RCS3#	RCS3#	C1	0x1800_0000-0x183F_FFFF	64	external, RCS3#	
RCS4#	RCS4#	C4	0x2000_0000-0x203F_FFFF	64	external, RCS4#	
RCS5#	RCS5#	E4	0x2800_0000-0x283F_FFFF	64	internal, RCS5#	Used for Ethernet Controller

Multiplexed GPIO pins

S3C2443X Port Configuration

Port A	Selectable Pin Functions			On module, default used as
GPA15	Output only	nWE_CF	-	Output
GPA14	Output only	RSMAVD	-	Output
GPA13	Output only	RSMCLK	-	Output
GPA12	Output only	nRCS5	-	nRCS5
GPA11	Output only	nOE_CF	-	Output
GPA10	RDATA_OEN	RADDR25	-	RADDR25
GPA9	Output only	RADDR24	-	RADDR24
GPA8	Output only	RADDR23	-	RADDR23
GPA7	Output only	RADDR22	-	RADDR22
GPA6	Output only	RADDR21	-	RADDR21
GPA5	Output only	RADDR20	-	RADDR20
GPA4	Output only	RADDR19	-	RADDR19
GPA3	Output only	RADDR18	-	RADDR18
GPA2	Output only	RADDR17	-	RADDR17
GPA1	Output only	RADDR16	-	RADDR16
GPA0	Output only	RADDR0	-	RADDR0

Port B	Selectable Pin Functions			On module, default used as
GPB10	Input/Output	nXDREQ0	XDREQ0	Input
GPB9	Input/Output	nXDACK0	XDACK0	Input
GPB8	Input/Output	nXDREQ1	XDREQ1	Input
GPB7	Input/Output	nXDACK1	XDACK1	Input
GPB6	Input/Output	nXBREQ	XBREQ	Input
GPB5	Input/Output	nXBACK	XBACK	Input
GPB4	Input/Output	TCLK	-	Input
GPB3	Input/Output	TOUT3	-	not used, reserved
GPB2	Input/Output	TOUT2	-	Input
GPB1	Input/Output	TOUT1	-	Input
GPB0	Output only	TOUT0	-	Input

Port C	Selectable Pin Functions			On module, default used as
GPC15	Input/Output	VD7	-	VD7
GPC14	Input/Output	VD6	-	VD6
GPC13	Input/Output	VD5	-	VD5
GPC12	Input/Output	VD4	-	VD4
GPC11	Input/Output	VD3	-	VD3
GPC10	Input/Output	VD2	-	VD2
GPC9	Input/Output	VD1	-	Input
GPC8	Input/Output	VD0	-	Input
GPC7	Input/Output	LCD_VF[2]	-	LCD_VF[2]
GPC6	Input/Output	LCD_VF[1]	-	LCD_VF[1]
GPC5	Input/Output	LCD_VF[0]	-	LCD_VF[0]
GPC4	Input/Output	VM	-	VM
GPC3	Input/Output	VFRAME	-	VFRAME
GPC2	Input/Output	VLINE	-	VLINE
GPC1	Input/Output	VCLK	-	Output
GPC0	Input/Output	LEND	-	Input

Port D	Selectable Pin Functions			On module, default used as
GPD15	Input/Output	VD23	-	VD23
GPD14	Input/Output	VD22	-	VD22
GPD13	Input/Output	VD21	-	VD21
GPD12	Input/Output	VD20	-	VD20
GPD11	Input/Output	VD193	-	VD193
GPD10	Input/Output	VD18	-	VD18
GDA9	Input/Output	VD17	-	Input
GPD8	Input/Output	VD16	-	Input
GPD7	Input/Output	VD15	-	VD15
GPD6	Input/Output	VD14	-	VD14
GPD5	Input/Output	VD13	-	VD13
GPD4	Input/Output	VD12	-	VD12
GPD3	Input/Output	VD11	-	VD11
GPD2	Input/Output	VD10	-	VD10
GPD1	Input/Output	VD9	-	Input
GPA0	Input/Output	VD8	-	Input

Port E	Selectable Pin Functions			On module, default used as
GPE15	Input/Output	IICSDA	-	IICSDA
GPE14	Input/Output	IICSCL	-	IICSCL
GPE13	Input/Output	SPICLK0	-	SPICLK0
GPE12	Input/Output	SPIMOSI0	-	SPIMOSI0
GPE11	Input/Output	SPIMISO0	-	SPIMISO0
GPE10	Input/Output	SD0_DAT3	-	SD0_DAT3
GPE9	Input/Output	SD0_DAT2	AC_nRESET	SD0_DAT2
GPE8	Input/Output	SD0_DAT1	AC_SYNC	SD0_DAT1
GPE7	Input/Output	SD0_DAT0	AC_SDO	SD0_DAT0
GPE6	Input/Output	SD0_CMD	AC_SDI	SD0_CMD
GPE5	Input/Output	SD0_CLK	AC_BIT_CLK	SD0_CLK
GPE4	Input/Output	I2SSDO	AC_SDO	Input
GPE3	Input/Output	I2SSDI	AC_SDI	Input
GPE2	Input/Output	CDCLK	AC_BIT_CLK	Input
GPE1	Input/Output	I2SSCLK	AC_SYNC	Input
GPE0	Input/Output	I2SLRCK	AC_nRESET	Input

Port F	Selectable Pin Functions			On module, default used as
GPF7	Input/Output	EINT7	-	Input
GPF6	Input/Output	EINT6	-	Input
GPF5	Input/Output	EINT5	-	Input
GPA4	Input/Output	EINT4	-	Internal Input
GPF3	Input/Output	EINT3	-	Internal Input
GPF2	Input/Output	EINT2	-	Internal Input
GPF1	Input/Output	EINT1	-	Input
GPF0	Input/Output	EINT0	-	Input

Port G	Selectable Pin Functions			On module, default used as
GPA15	Input/Output	EINT23	CARD_PWREN	Input
GPA14	Input/Output	EINT22	RESET_CF	Input
GPG13	Input/Output	EINT21	nREG_CF	Input
GPG12	Input/Output	EINT20	nINPACK	Input

Port G	Selectable Pin Functions			On module, default used as
GPG11	Input/Output	EINT19	nIREQ_CF	Input
GPG10	Input/Output	EINT18	-	Input
GPG9	Input/Output	EINT17	-	Input
GPG8	Input/Output	EINT16	-	Input
GPG7	Input/Output	EINT15	-	Internal Input
GPG6	Input/Output	EINT14	-	Input
GPG5	Input/Output	EINT13	-	Input
GPG4	Input/Output	EINT12	LCD_PWREN	Internal Input
GPG3	Input/Output	EINT11	-	Input
GPG2	Input/Output	EINT10	-	Internal output
GPG1	Input/Output	EINT9	-	Internal Input
GPG0	Input/Output	EINT8	-	Input

Port H	Selectable Pin Functions			On module, default used as
GPH14	Input/Output	CLKOUT1	-	CLKOUT1
GPH13	Input/Output	CLKOUT0	-	CLKOUT0
GPH12	Input/Output	EXTUARTCLK	-	Internal Input
GPH11	Input/Output	nRTS1	-	nRTS1
GPH10	Input/Output	nCTS1	-	nCTS1
GPH9	Input/Output	mRTS0	-	mRTS0
GPH8	Input/Output	nCTS0	-	nCTS0
GPH7	Input/Output	RXD3	nCTS2	RXD3
GPH6	Input/Output	TXD2	nRTS2	TXD2
GPH5	Input/Output	TXD2	-	TXD2
GPH4	Input/Output	RXD1	-	RXD1
GPH3	Input/Output	RXD1	-	RXD1
GPH2	Input/Output	TXD1	-	TXD1
GPH1	Input/Output	RXD0	-	RXD0
GPH0	Input/Output	TXD0	-	TXD0

Port J	Selectable Pin Functions			On module, default used as
GPJ15	Input/Output	nSD1_WP	-	Input
GPJ14	Input/Output	nSD1_CD	-	Input

Port J	Selectable Pin Functions			On module, default used as
GPJ13	Input/Output	SD1_LED	-	Input
GPJ12	Input/Output	CAMRESET	-	Input
GPJ11	Input/Output	CAMCLKOUT	-	Input
GPJ10	Input/Output	CAMHREF	-	Input
GPJ9	Input/Output	CAMVSYNC	-	Input
GPJ8	Input/Output	CAMPCLK	-	Input
GPJ7	Input/Output	CAMDATA7	-	Input
GPJ6	Input/Output	CAMDATA6	-	Input
GPJ5	Input/Output	CAMDATA5	-	Input
GPJ4	Input/Output	CAMDATA4	-	Input
GPJ3	Input/Output	CAMDATA3	-	Input
GPJ2	Input/Output	CAMDATA2	-	Input
GPJ1	Input/Output	CAMDATA1	-	Input
GPJ0	Input/Output	CAMDATA0	-	Input

Port L	Selectable Pin Functions			On module, default used as
GPL14	Input/Output	SS1	-	Input
GPL13	Input/Output	SS0	-	Input
GPL12	Input/Output	SPIMISO1	-	Input
GPL11	Input/Output	SPIMOSI1	-	Input
GPL10	Input/Output	SPICLK1	-	Input
GPL9	Input/Output	SD1_CLK	-	SD1_CLK
GPL8	Input/Output	SD1_CMD	-	SD1_CMD
GPL7	Input/Output	SD1_DAT7	-	SD1_DAT7
GPL6	Input/Output	SD1_DAT6	-	SD1_DAT6
GPL5	Input/Output	SD1_DAT5	-	SD1_DAT5
GPL4	Input/Output	SD1_DAT4	-	SD1_DAT4
GPL3	Input/Output	SD1_DAT3	-	SD1_DAT3
GPL2	Input/Output	SD1_DAT2	-	SD1_DAT2
GPL1	Input/Output	SD1_DAT1	-	SD1_DAT1
GPL0	Input/Output	SD1_DAT0	-	SD1_DAT0

Port M	Selectable Pin Functions			On module, default used as
GPM1	Input	FRnB	-	FRnB
GPM0	Input	RSMBWAIT	-	Internal Input

Interfaces

RTC

Instead of using the S3C2443-internal RTC, an external RTC (Dallas D1337) is implemented on the module to optimize the power consumption characteristics in sleep modes. Therefore the pin RTCVDD has to be connected to 3.3V and the pin XTlrtc has also to be connected to 3.3V, while pin XTOrtc has to be left floating. An external quartz is not necessary, if the internal RTC is not used.

The on-module RTC is connected to the I2C bus and powered by a 3V battery, which has to be mounted on the base board. If no RTC is used, the pin VRTC at the system connector can be left floating, because two Schottky diodes are used to power the RTC either from 3.3V, or from the battery. The state of this battery will not be supervised on the module.

The on-module RTC is a CMOS real time clock/calendar optimized for low power consumption. An interrupt output is provided. All address and data are transferred serially via a two-line bidirectional I2C-bus. Maximum bus speed is 400 kbit/s.

The low active interrupt output (CLK_INT#) of the RTC is connected to interrupt input EINT7 of the CPU.

The I2C device address of the RTC is 0x68 (bits A7..A1), or 0xD0/0xD1 if expressed in an 8-bit format, including the R/W bit at the end (bits A7..A1 + R/W bit).

UART interface

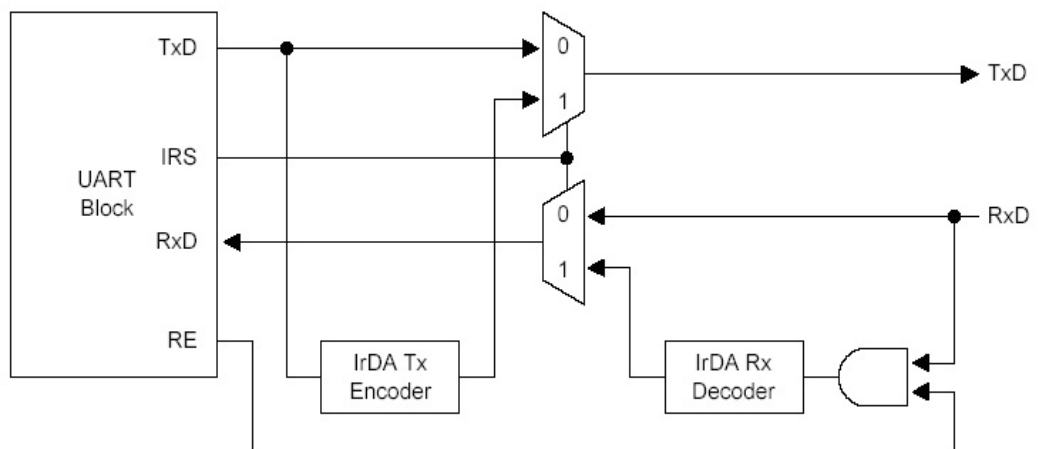
The S3C2443 Universal Asynchronous Receiver and Transmitter (UART) provide four independent asynchronous serial I/O (SIO) ports, each of which can operate in Interrupt-based or DMA-based mode. In other words, the UART can generate an interrupt or a DMA request to transfer data between CPU and the UART. The UART can support bit rates up to 921.6K bps using system clock. Each UART channel contains two 64-byte FIFOs for receiver and transmitter.

On the system connector, there are the signals for two UART interfaces provided. Each interface consists of the data lines RXD/TXD and the handshake lines RTS#/CTS#. The UARTs are part of the CPU. If the handshake lines of the third UART interface (RTS2#/CTS2#) are not used, they could be used as data lines for a fourth UART interface (TXD3/RXD3).

The S3C2443 UART includes programmable baud rates, infrared (IR) transmit/receive, one or two stop bit insertion, 5-bit, 6-bit, 7-bit or 8-bit data width and parity checking.

Each UART provides a baud-rate generator, transmitter, receiver and a control unit. The baud-rate generator can be clocked by PCLK or EPLLCLK/n. UEXTCLK (external input clock) is used on the module as GPIO. The transmitter and the receiver contain 64-byte FIFOs and data shifters. Data is written to FIFO and then copied to the transmit shifter before being transmitted. The data is then shifted out by the transmit data pin (TxDn). Meanwhile, received data is shifted from the receive data pin (RxDn), and then copied to FIFO from the shifter.

The S3C2443 UART block supports also infra-red (IR) transmission and reception, which can be selected by setting the Infra-red-mode bit in the UART line control register (ULCONn).



There are four UART baud rate divisor registers including UBRDIV0, UBRDIV1, UBRDIV2 and UBRDIV3 in the UART block. The value stored in the baud rate divisor register (UBRDIVn) and dividing slot register (UDIVSLOTn), are used to determine the serial Tx/Rx clock rate (baud rate) as follows:

$$\text{DIV_VAL} = (\text{SRCCLK} / (\text{baud rate} \times 16)) - 1$$

Where DIV_VAL should be from 1 to (216-1) and SRCCLK is either PCLK or divided EPLL clock.

DIV_VAL can be programmed in the S3C2443 registers the following way:

$$\text{DIV_VAL} = \text{UBRDIVn} + (\text{num of 1's in UDIVSLOTn}) / 16$$

Where UBRDIVn is integer part of DIV_VAL - and UDIVSLOTn the floating point part of DIV_VAL.

For example, if the baud rate is 115200 bps and SRCCLK is 66 MHz, UBRDIVn and UDIVSLOTn are:

$$\text{DIV_VAL} = (66000000 / (115200 \times 16)) - 1$$

$$= 35.8 - 1$$

$$= 34.8$$

$$* \text{UBRDIVn} = 34$$

$$(\text{num of 1's in UDIVSLOTn}) / 16 = 0.8$$

$$(\text{num of 1's in UDIVSLOTn}) = 12.8 \Rightarrow 13$$

The table below shows the recommended value table of UDIVSLOTn register.

Num of 1's	UDIVSLOTn	Num of 1's	UDIVSLOTn
0	0x0000(0000_0000_0000_0000b)	8	0x5555(0101_0101_0101_0101b)
1	0x0080(0000_0000_0000_1000b)	9	0xD555(1101_0101_0101_0101b)
2	0x0808(0000_1000_0000_1000b)	10	0xD5D5(1101_0101_1101_0101b)
3	0x0888(0000_1000_1000_1000b)	11	0xDDD5(1101_1101_1101_0101b)
4	0x2222(0010_0010_0010_0010b)	12	0xDDDD(1101_1101_1101_1101b)
5	0x4924(0100_1001_0010_0100b)	13	0xDFDD(1101_1111_1101_1101b)
6	0x4A52(0100_1010_0101_0010b)	14	0xDFDF(1101_1111_1101_1111b)
7	0x54AA(0101_0100_1010_1010b)	15	0xFFDF(1111_1111_1100_1111b)

$$\text{As a result, DIV_VAL} = 34.8125 = 34 + 13 \times (1/16)$$

The baud rate is finally:

$$66000000 / (34.8125 + 1) / 16 = 115167.2 \text{ baud}$$

SPI interface

The S3C2443 provides two SPI-interfaces, each of which have two 8-bit shift registers for transmission and receiving, respectively. During an SPI transfer, data is simultaneously transmitted (shifted out serially) and received (shifted in serially).

Four I/O pin signals are associated with SPI transfers: SCK (SPICLK0,1), MISO (SPIMISO0,1) data line, MOSI (SPIMOSI0,1) data line, and the active low /SS (nSS0,1) pin.

Both 4-pin SPI interfaces are provided at the system connector (Clock, Chip-Select, Data-In and Data-Out). SPI0 interface is located at the general pins of the system connector, while SPI1 interface shares its pins with interrupt functions at the specific pins of the system connector.

Features:

- SPI Protocol (ver. 2.11) compatible
- 8-bit Shift Register for transmit
- 8-bit Shift Register for receive
- 8-bit Prescaler logic
- Polling, Interrupt, and DMA transfer mode

I2C interface

The I2C signals clock and data are provided at the system connector.

USB interface

The S3C2443 provides two USB ports. One port can only be used as host interface, the other port can be configured either as host or device interface.

S3C2443 supports 2-port USB host interfaces as follows:

- OHCI Rev 1.0 compatible
- USB Rev1.1 compatible
- Two down stream ports
- Support for both LowSpeed and FullSpeed USB devices

The Samsung USB 2.0 Controller is designed to aid the rapid implementation of the USB 2.0 peripheral device. The controller supports both High and Full speed mode. Using the standard UTMI interface and AHB interface the USB 2.0 Controller can support up to 9 Endpoints (including Endpoint0) with programmable Interrupt, Bulk and Isochronous transfer mode.

Features:

- Compliant to USB 2.0 specification
- Supports FS/HS dual mode operation
- EP 0 FIFO: 64 bytes
- EP 1/2/3/4 FIFO: 512 bytes double buffering
- EP 5/6/7/8 FIFO: 1024 bytes double buffering
- Convenient Debugging
- Support Interrupt, Bulk, Isochronous Transfer

One USB interface is provided at the general pins of the system connector, consisting of the data lines USBP and USBN as well as the additional signal USB_DT/PW.

Depending on the base board, the USB interface can be realized either as host1 or device0, the signals have the following meaning:

Signal	USB host1	USB device0
USBP	Differential data+ DP1	Differential data + PDPO
USBN	Differential data- DN1	Differential data- PDNO
USB_DT/PW	USB Power Enable	USB Detect

At the module specific pins of the system connector a second host interface (host0) is provided with the differential data lines DP0 and DN0.

Ethernet interface

The ConnectCore 9M 2443 module has a 10/100Mbit Ethernet controller with integrated MAC and PHY on board.

Features:

- Embedded 16Kbyte FIFO for packet buffers
- Support burst-mode read for highest performance applications
- Configurable Interrupt pin with programmable hold-off timer
- Compatible with IEEE802.3, 802.3u standards
- Integrate Fast Ethernet MAC/PHY transceiver in one chip
- 10Mbps and 100Mbps data rate
- Full and half duplex operations
- 10/100Mbps Auto-negotiation operation
- Twisted pair crossover detection and auto-correction (HP Auto-MDIX)
- IEEE 802.3x flow control for full-duplex operation
- Back-pressure flow control for half-duplex operation
- Wake-on-LAN capabilities:
 - Detection of a change in the network link state
 - Receipt of a Magic Packet
- LED pins for various network activity indications

The Ethernet controller is connected to CS5#. Its programmable polarity interrupt output is connected to the interrupt input EINT9 of the CPU.

Global signals on the system connector only indicate the Link/Activity-LED is being used.

On the base board a transformer with 1:1 turns ratio on TX and 1:1 on RX should be used. For instance, PULSE H11022.

WLAN interface

In addition to the on-module wired Ethernet interface, the ConnectCore Wi-9M 2443 module also provides an integrated 802.11a/b/g WLAN interface. The WLAN interface is based on the Digi WM500ABG baseband processor and specifically designed for embedded products with long-term product availability requirements.

A/D converter and touch screen interface

The 10-bit /10-channels CMOS ADC (Analog to Digital Converter) converts the analog input signal into 10-bit binary digital codes at a maximum conversion rate of 500KSPS with 2.5MHz A/D converter clock. A/D converter operates with on-chip sample-and-hold function and power down mode is supported.

The touch screen Interface can control/select pads (ConnectCore 9M 2443, XP, XM, YP, YM) of the Touch Screen for X, Y position conversion. The touch Screen Interface provides Touch Screen Pads control logic and ADC interface logic with interrupt generation.

Features:

- Resolution: 10-bit
- Differential linearity error: 1.0 LSB
- Integral linearity error: 2.0 LSB
- Maximum conversion rate: 500 KSPS
- Low power consumption
- Power supply voltage: 3.3V
- Analog input range: 0 ~ 3.3V
- On-chip sample-and-hold function
- Normal conversion mode
- Separate X/Y position conversion mode
- Auto (Sequential) X/Y position conversion mode
- Waiting for interrupt mode

Touch screen interface modes

1. Normal conversion mode

Single Conversion Mode is used for General Purpose ADC Conversion. This mode can be activated by:

- 1 Set the ADCCON (ADC Control Register), and
- 2 Set the read and write to the ADCDAT0 (ADC Data Register 0).

2. Separate X/Y position conversion mode is activated as follows:

- 1 X-Position Mode writes X-Position Conversion Data to ADCDAT0, so Touch Screen Interface generates the Interrupt source to Interrupt Controller.
- 2 Y-Position Mode writes Y-Position Conversion Data to ADCDAT1, so Touch Screen Interface generates the Interrupt source to Interrupt Controller.

3. Auto (Sequential) X/Y Position Conversion Mode is activated as follows:

- 1 Touch Screen Controller sequentially converts the X-Position or Y-Position that is touched.
- 2 After touch controller writes X-measurement data to ADCDAT0 and writes Y-measurement data to ADCDAT1, the Touch Screen Interface generates Interrupt source to Interrupt Controller in Auto Position Conversion Mode.

4. Waiting for Interrupt Mode is activated as follows:

- 1 The Touch Screen Controller generates an interrupt (INT_TC) signal when the stylus is down. Waiting for Interrupt Mode setting value is `rADCTSC=0xd3; // XP_PU, XP_Dis, XM_Dis, YP_Dis, YM_En.`
- 2 After the Touch Screen Controller generates interrupt signal (INT_TC), the user must wait for the interrupt mode to be cleared (XY_PST sets to the No operation Mode).

5. Standby Mode

Standby Mode is activated when ADCCON [2] is set to '1.'

In this mode, A/D conversion operation is halted and ADCDAT0, ADCDAT1 register contains the previous converted data.

Reset controller

On the module there is an Analog Devices ADM811SARTZ used. This device monitors 3.3V and has RSTIN# as debounced manual reset input and through a series resistor of 470R produces PWRGOOD as output. The voltage threshold is 2.93V. Reset output length is typically 240ms.

JTAG

The standard JTAG signals are provided at the system connector. A JTAG/Multi-ICE connector has to be provided at the base board for debugging.

The signal DEBUGEN# (CONF0) from the base board to the module is necessary, to be able to switch on and off a connection between the system reset and the JTAG reset.

The pull-up resistors, belonging to the JTAG interface, are placed on the module.

Common features

The LCD controller has a dedicated DMA that supports to fetch the image data from video buffer located in system memory. Its features also include:

- Dedicated interrupt functions (INT_FrSyn and INT_FiCnt)
- The system memory is used as the display memory
- Supports Multiple Virtual Display Screen (Supports Hardware Horizontal/Vertical Scrolling)
- Programmable timing control for different display panels
- Supports little and big-endian byte ordering, as well as WinCE data formats

Watchdog timer

The S3C2443 watchdog timer is used to resume the controller operation whenever it is disturbed by malfunctions such as noise and system errors. It can be used as a normal 16-bit interval timer to request interrupt service. The watchdog timer generates the reset signal for 128 PCLK cycles.

Features:

- 16-bit Watchdog Timer
- Interrupt request or system reset at time-out

The prescaler value and the frequency division factor are specified in the watchdog timer control (WTCN) register. Valid prescaler values range from 0 to 28-1. The frequency division factor can be selected as 16, 32, 64, or 128.

Use the following equation to calculate the watchdog timer clock frequency and the duration of each timer clock cycle:

$$t_{\text{watchdog}} = 1 / (\text{PCLK} / (\text{Prescaler value} + 1) / \text{Division_factor})$$

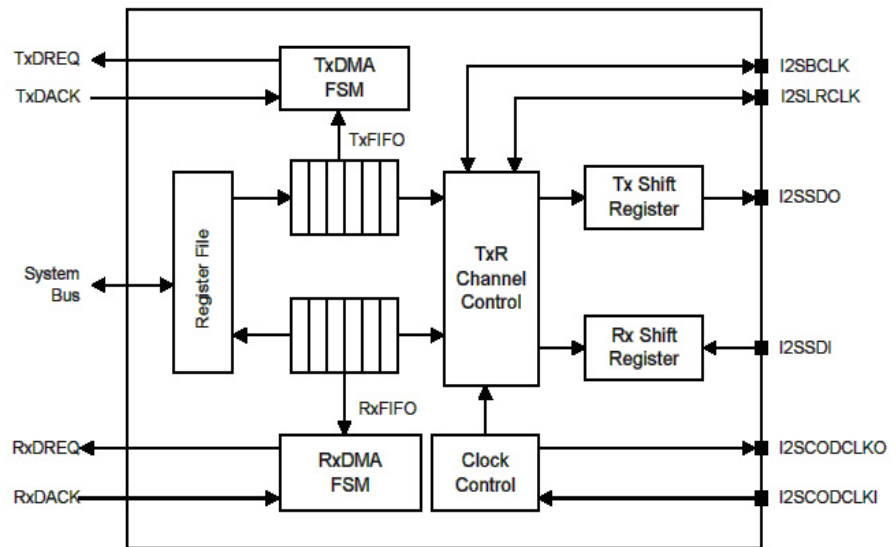
IIS-Bus interface

IIS (Inter-IC Sound) interface transmits or receives sound data from or to external stereo audio code cs. For transmit and receive data, two 32x16 FIFOs (First-In-First-Out) data structures are included and DMA transfer mode for transmitting or receiving samples can be supported. IIS-specific clock can be supplied from internal system clock controller through IIS clock divider or direct clock source.

Features:

- 1-ch IIS-bus for audio interface with DMA-based operation
- Serial, 8-/16-bit per channel data transfers
- 128 Bytes (64-Byte + 64-Byte) FIFO for Tx/Rx
- Supports two IIS formats (MSB-justified or LSB-justified data format)

IIS block diagram:



IIS-Bus format

The IIS bus has four lines including serial data input I2SSDI, serial data output I2SSDO, left/right channel select clock I2SLRCLK, and serial bit clock I2SBCLK; the device generating I2SLRCLK and I2SBCLK is the master.

Serial data is transmitted in 2's complement with the MSB first with a fixed position, whereas the position of the LSB depends on the word length. The transmitter sends the MSB of the next word at one clock period after the I2SLRCLK is changed. Serial data sent by the transmitter may be synchronized with either the trailing or the leading edge of the clock signal. However, the serial data must be latched into the receiver on the leading edge of the serial clock signal, and so there are some restrictions when transmitting data that is synchronized with the leading edge.

The LR channel select line indicates the channel being transmitted. I2SLRCLK may be changed either on a trailing or leading edge of the serial clock, but it does not need to be symmetrical. In the slave, this signal is latched on the leading edge of the clock signal. The I2SLRCLK line changes one clock period before the MSB is transmitted. This allows the slave transmitter to derive synchronous timing of the serial data that will be set up for transmission. Furthermore, it enables the receiver to store the previous word and clear the input for the next word.

MSB (Left) Justified

MSB-Justified (Left-Justified) format is similar to IIS bus format, except that in MSB-justified format, the transmitter always sends the MSB of the next word at the same time whenever the I2SLRCLK is changed.

LSB (Right) Justified

LSB-Justified (Right-Justified) format is opposite to the MSB-justified format. In other word, the transferring serial data is aligned with ending point of I2SLRCLK transition.

Camera interface

The CAMIF (Camera Interface) within the S3C2443X consists of eight parts: pattern mux, capturing unit, MSDMA (Memory Scaling DMA), preview scaler, codec scaler, preview DMA, codec DMA, and SFR. The camera interface supports:

- ITU R BT-601/656 YCbCr 8-bit standard and Memory
- Maximum input size of 4096x4096 pixels (2048x2048 pixels for scaling)
- Two scalers:

One is the preview scaler, which is dedicated to generating smaller size images for previewing. The other one is the codec scaler, which is dedicated to generating codec useful images like plane type YCbCr 4:2:0 or 4:2:2. Two master DMAs can do mirror and rotate of the captured image for mobile environments. And test pattern generation can be used to calibration of input sync signals as HREF, VSYNC. Also, video sync signals and pixel clock polarity can be inverted in the camera interface side with using register setting.

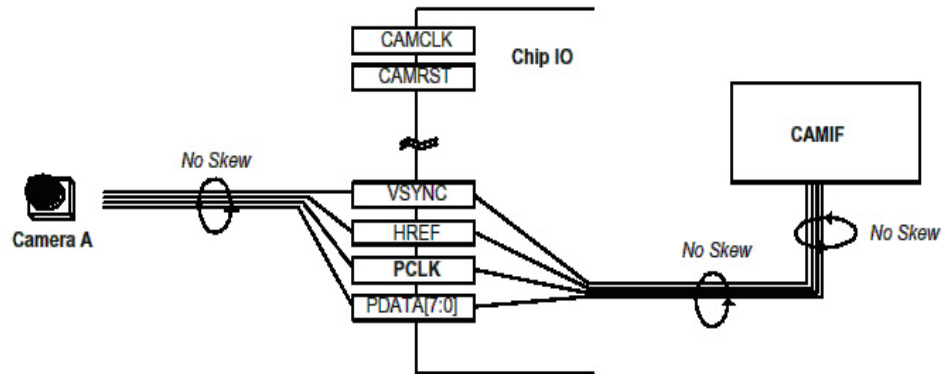
Features:

- ITU-R BT 601/656 8-bit mode support
- DZI (Digital Zoom In) capability
- Programmable polarity of video sync signals
- Max. 4096 x 4096 pixels input support (non-scaling)
- Max. 2048 x 2048 pixels input support for codec scaling and 640 x 480 pixels input support for preview scaling
- Image mirror and rotation (X-axis mirror, Y-axis mirror and 180° rotation)
- Preview DMA output image generation (RGB 16/24-bit format)
- Codec DMA output image generation (RGB 16/24-bit format or YCbCr 4:2:0/4:2:2 format)
- Capture frame control support in codec_path
- Scan line offset support in codec_path (YCbCr)
- YCbCr 4:2:2 codec image format interleave support
- MSDMA supports memory data for preview path input
- Image effect

CAMIF supports the following video standards:

- ITU-R BT 601 YCbCr 8-bit mode
- ITU-R BT 656 YCbCr 8-bit mode

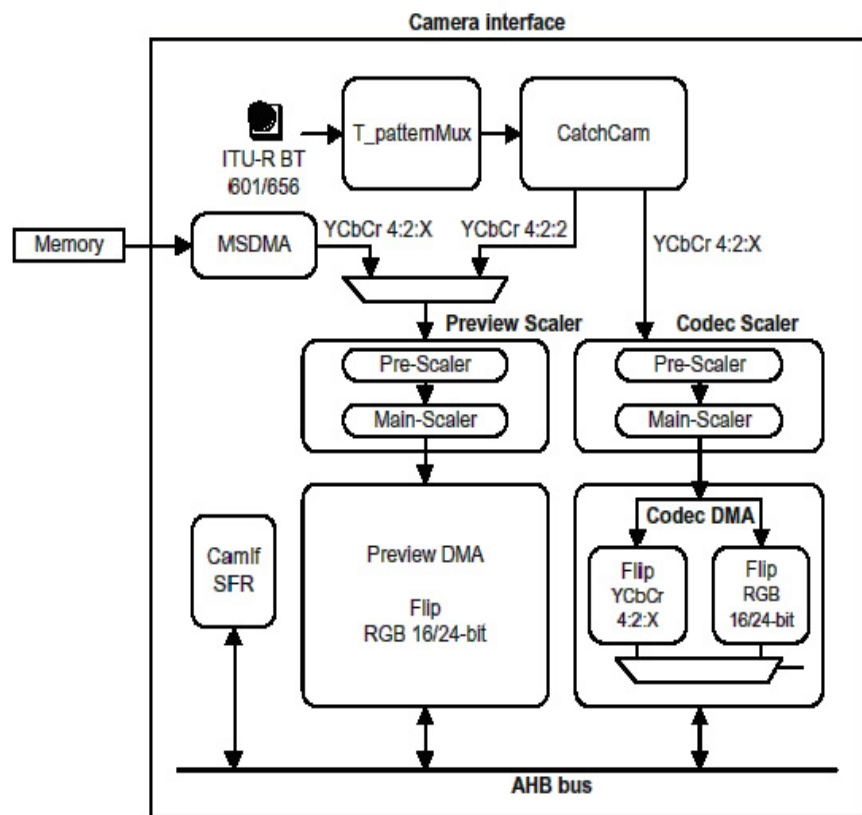
The figure below provides an overview of the CAMIF interface signals.



All camera interface signals should have the same length.

Buffers should be Schmitt-triggered.

Below is the block diagram of the camera interface.



AC97 Controller

The AC97 Controller Unit of the S3C2443 supports AC97 revision 2.0 features. AC97 Controller communicates with AC97 Codec using an audio controller link (AC-link). Controller sends the stereo PCM data to Codec. The external digital-to-analog converter (DAC) in the Codec then converts the audio sample to an analog audio

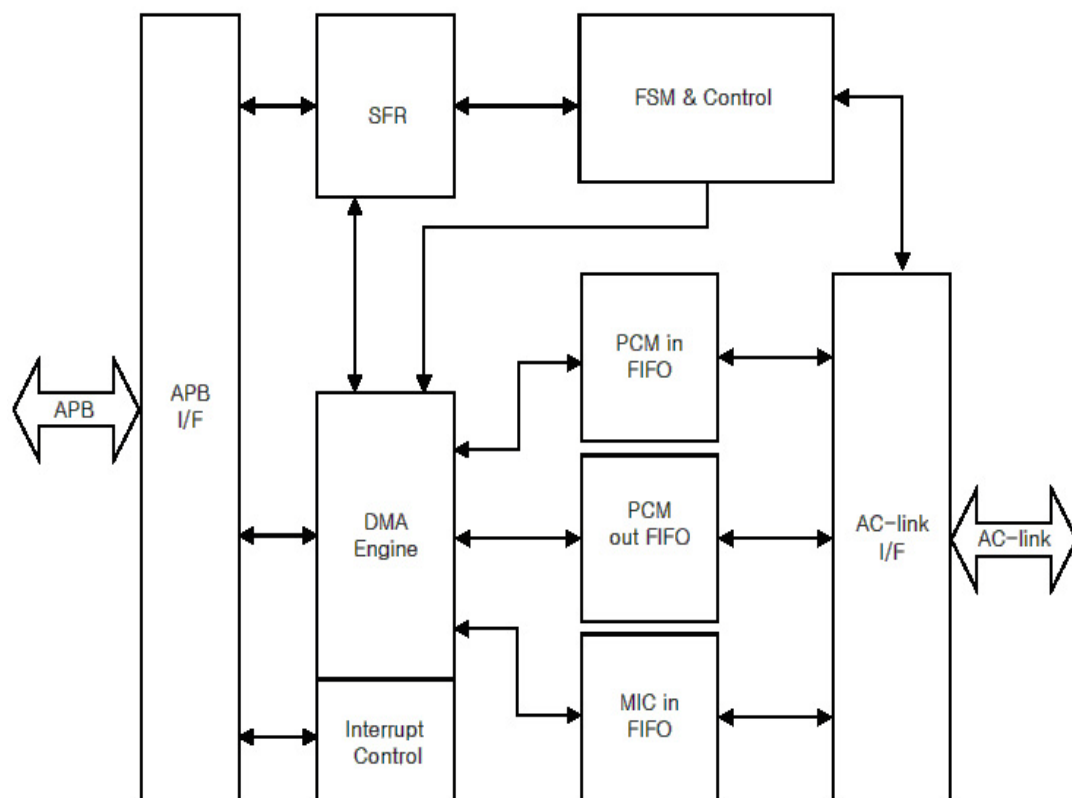
waveform. Also, the Controller receives the stereo PCM data and the mono Mic data from the Codec and then stores them in the memories. This chapter describes the programming model for the AC97 Controller Unit. The information in this chapter requires an understanding of the AC97 revision 2.0 specifications.

Note: The AC97 Controller and the IIS Controller must not be used at the same time.

Features:

- Independent channels for stereo PCM In, stereo PCM Out, mono MIC In.
- DMA-based operation and interrupt based operation.
- All of the channels support only 16-bit samples.
- Variable sampling rate AC97 Codec interface (48 KHz and below).
- 16-bit, 16 entry FIFOs per channel
- Only Primary CODEC support

The following shows the functional block diagram of the S3C2443 AC97 Controller. The AC97 signals form the ALink, which is a point-to-point synchronous serial interconnect that supports full-duplex data transfers. All digital audio streams and command/status information are communicated over the AC-link.



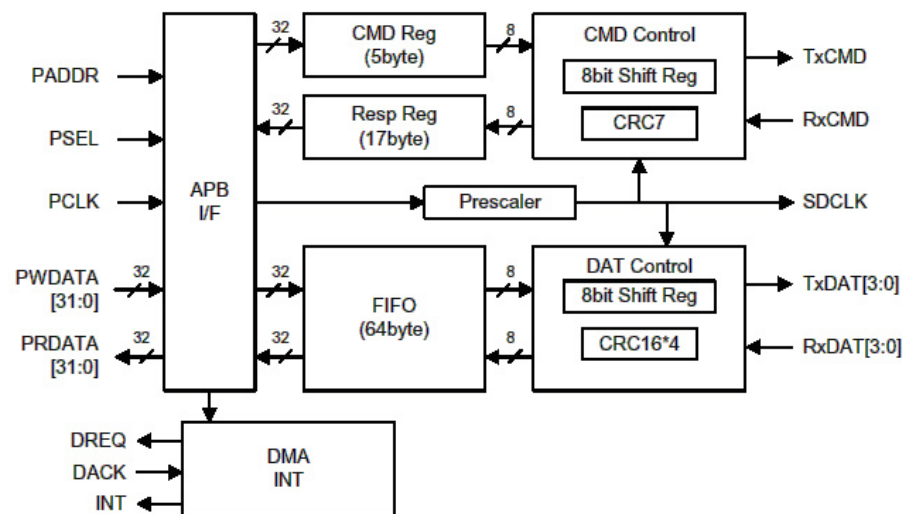
SD host interface

The S3C2443 Secure Digital Interface (SDI) can interface for SD memory card, SDIO device and Multi-Media Card (MMC).

Features:

- SD Memory Card Spec. (ver. 1.0) / MMC Spec. (2.11) compatible
- SDIO Card Spec (ver. 1.0) compatible
- 16 words (64 bytes) FIFO (depth 16) for data Tx/Rx
- 40-bit Command Register
- 136-bit Response Register
- 8-bit Prescaler logic (Freq. = System Clock / (P + 1))
- Normal, and DMA Data Transfer Mode (byte, halfword, word transfer)
- 1bit / 4bit (wide bus) Mode & Block / Stream Mode Switch support
- DMA burst4 access support (only word transfer)

The following shows the SD host block diagram:



PWM timer

The S3C2443 has five 16-bit timers. Timer 0, 1, 2, and 3 have Pulse Width Modulation (PWM) function. Timer 4 has an internal timer only with no output pins. The timer 0 has a dead-zone generator, which is used with a large current device. The timer 0 and 1 share an 8-bit prescaler, while the timer 2, 3 and 4 share other 8-bit prescaler. Each timer has a clock divider, which generates 5 different divided signals (1/2, 1/4, 1/8, 1/16, and TCLK). Each timer block receives its own clock signals from the clock divider, which receives the clock from the corresponding 8-bit prescaler. The 8-bit prescaler is programmable and divides the PCLK according to the loading value, which is stored in TCFG0 and TCFG1 registers.

The timer count buffer register (TCNTBn) has an initial value which is loaded into the down-counter when the timer is enabled. The timer compare buffer register

(TCMPBn) has an initial value which is loaded into the compare register to be compared with the down-counter value. This double buffering feature of TCNTBn and TCMPBn makes the timer generate a stable output when the frequency and duty ratio are changed.

Each timer has its own 16-bit down counter, which is driven by the timer clock. When the down counter reaches zero, the timer interrupt request is generated to inform the CPU that the timer operation has been completed. When the timer counter reaches zero, the value of corresponding TCNTBn is automatically loaded into the down counter to continue the next operation. However, if the timer stops, for example, by clearing the timer enable bit of TCONn during the timer running mode, the value of TCNTBn will not be reloaded into the counter.

The value of TCMPBn is used for pulse width modulation (PWM). The timer control logic changes the output level when the down-counter value matches the value of the compare register in the timer control logic. Therefore, the compare register determines the turn-on time (or turn-off time) of a PWM output.

Features:

- Five 16-bit timers
- Two 8-bit prescalers & Two 4-bit divider
- Programmable duty control of output waveform (PWM)
- Auto reload mode or one-shot pulse mode
- Dead-zone generator

All of the Timer outputs are connected to the system connector.

Clock output

At the global pins of the system connector there is a clock signal available (BCLKOUT0), which is buffered by a clock buffer and can be chosen to be either MPLL CLK, EPLL CLK, FCLK, HCLK, PCLK or DCLK. The source of this clock signal is the CLKOUT0 port at the CPU, which can be programmed to different clocks, by the CLKSELO register.

The following table shows the bits [6:4] of the CLKSELO register:

CLKSELO [6:4]	000	001	010	011	100	101	11x
CLKOUT0	MPLL CLK	EPLL CLK	FCLK	HCLK	PCLK	DCLK0	Reserved

CF/ATA

The single-slot CF controller consists of 2 parts - PC card controller & ATA controller. They are multiplexing from or to PAD signals. Users can select either PC card or True-IDE mode operation. Default mode is PC card mode. The CF controller has a top level SFR with card power enable bit, output port enable bit & mode select (True-IDE or PC card) bit.

PC card controller

The PC card controller has 2 half-word (16 bit) write buffers & 4 half-word (16bits) read buffers.

The PC card controller has 5 word-sized (32 bit) Special Function Registers.

Features:

- 3 timing configuration registers
- Attribute memory
- Common memory
- I/O interface
- 1 status & control configuration register
- 1 interrupt source & mask register
- Timing configuration register consists of 3 parts - Setup, Command & Hold
 - IDLE, SETUP, COMMAND & HOLD
 - Each part of register indicates the operation timing of each state

ATA controller

Features:

- Compatible with the ATA/ATAPI-6 standard
- Thirty word-sized (32 bit) special function register
- One FIFO that is 16 x 32 bit
- Internal DMA controller (from ATA device to memory or from memory to ATA device)
- AHB master (DMA controller) supporting 8 burst & word size transfer

The control lines are available on X2.

High-speed MMC

The HSMMC (High-speed MMC) / SD-MMC is a combo host for Secure Digital card and MultiMedia Card. This host is compatible with SD Association's (SDA) Host Standard Specification.

Interface a system with SD card and MMC card. The performance of this host is very powerful, supporting 52 MHz clock rate and 8-bit access simultaneously.

Features:

- SD Standard Host Spec (ver 1.0) compatible
- SD Memory Card Spec (ver 2.1) / MMC Memory card Spec(4.2) compatible
- SDIO Card Spec (ver 1.0) compatible
- 512 bytes FIFO for data Tx/Rx
- 48-bit Command Register
- 136-bit Response Register

- CPU Interface and DMA data transfer mode
- 1-bit / 4-bit / 8-bit mode switch support
- Auto CMD12 support
- Suspend / Resume support
- Read Wait operation support
- Card Interrupt support
- CE-ATA mode support

The control lines are available on X2.

High speed SPI

The High Speed Serial Peripheral Interface (HS_SPI) can interface the serial data transfer. HS_SPI has two 8-bit shift registers for transmission and receiving, respectively. During an SPI transfer, data is simultaneously transmitted (shifted out serially) and received (shifted in serially). HS_SPI supports the protocols for National Semiconductor Microwire and Motorola Serial Peripheral Interface.

Features:

- Full duplex support
- 8-bit shift register for TX/RX
- 8-bit prescale logic
- 3 clock sources
- 8-bit/32-bit bus interface
- Motorola SPI protocol and National Semiconductor Microwire compliant
- Two independent transmit and receive FIFOs (16 samples deep/32-bits wide)
- Master-mode and slave-mode
- Receive-without-transmit operation

External address/data bus

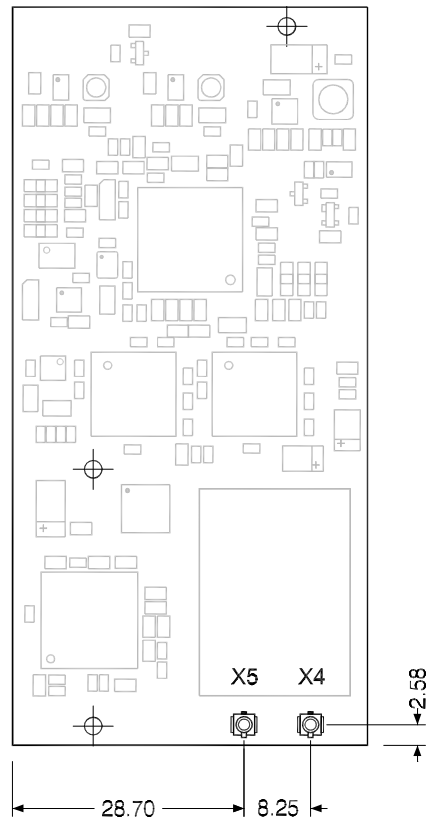
The external address/data bus supports:

- 64MB address space per external chip select
- Programmable 8/16-bit data bus width
- Four external chip selects
- Complete programmable access cycles for all memory banks
- External wait signals to expand the bus cycle

WLAN connectors

In addition to the wired Ethernet interface, the ConnectCore Wi-9M 2443 module also offers an integrated dual-diversity 802.11a/b/g interface with data rates up to 54 Mbps. Two U.FL antenna connectors are provided on the module. For the ConnectCore Wi-9M 2443, attach the antennas with the U.FL-RP-SMA FEMALE Cable to the

primary connector [X5] and the secondary connector [X4] on the module. You must use only this cable and antennas to carry on the module.



Note When disconnecting U.FL connectors, the use of U.FL plug extraction tool (Hirose P/N U.FL-LP-N-2 or U.FL-LP(V)-N-2) is strongly recommended to avoid damage to the U.FL connectors on the ConnectCore Wi-9M 2443 module.

To mate U.FL connectors, the mating axes of both connectors must be aligned. The "click" will confirm fully mated connection. Do not attempt insertion at an extreme angle.

LCD controller display features

The LCD controller of the S3C2443 consists of the logic for transferring LCD image data from a video buffer located in system memory to an external LCD driver. The LCD controller supports monochrome, 2-bit per pixel (4-level gray scale) or 4-bit per pixel (16-level gray scale) mode on a monochrome LCD, using a time-based dithering algorithm and Frame Rate Control (FRC) method and it can be interfaced with a color LCD panel at 8-bit per pixel (256-level color) and 12-bit per pixel (4096-level color) for interfacing with STN LCD.

It can support 1-bit per pixel, 2-bit per pixel, 4-bit per pixel, and 8-bit per pixel for interfacing with the palletized TFT color LCD panel, and 16-bit per pixel and 24-bit per pixel for non-palletized true-color display. The LCD controller can be programmed to support different requirements on the screen related to the number of horizontal and vertical pixels, data line width for the data interface, interface timing, and refresh rate.

STN LCD displays

- 4-bit dual scan, 4-bit single scan, and 8-bit single scan display type
- Monochrome, 4 gray levels, and 16 gray levels
- 256 colors and 4096 colors for color STN LCD panel
- Multiple screen size:
 - Typical actual screen size: 640 x 480, 320 x 240, 160 x 160, and others
 - Maximum virtual screen size is 4Mbytes
 - Maximum virtual screen size in 256 color mode: 4096 x 1024, 2048 x 2048, 1024 x 4096, and others

TFT LCD displays

- 1, 2, 4 or 8-bpp (bit per pixel) palletized color displays
- 16, 24-bpp non-palletized true-color displays
- Maximum 16M color TFT at 24bit per pixel mode
- Multiple screen size:
 - Typical actual screen size: 640 x 480, 320 x 240, 160 x 160, and others
 - Maximum virtual screen size: 4Mbytes
 - Maximum virtual screen size in 64K color mode: 2048 x 1024, and others
- 2 overlay windows for TFT

Common features

The LCD controller has a dedicated DMA that supports fetching image data from

a video buffer located in system memory.

Its features include:

- Dedicated interrupt functions (INT_FrSyn and INT_FiCnt)
- System memory used as display memory
- Multiple Virtual Display Screen (supports hardware horizontal/vertical scrolling)
- Programmable timing control for different display panels
- Little and big-endian byte ordering, as well as Windows Embedded CE data formats

Module pinout

System connector X1

I = Input

O = Output

AI = Analog Input

P = Power

Pin	Signal	Type	Signal name	Description
X1-1	GND	P	GND	
X1-2	RSTIN#	I	RSTIN#	Input of a ADM811SARTZ supervisor which produces PWRGOOD. 10k pull up on module
X1-3	PWRGOOD	O	PWRGOOD	Output of a ADM811SARTZ supervisor. 470R series resistor on module
X1-4	RSTOUT	O	RSTOUT#	Softw + WDT + RSTIN#
X1-5	TCK	I	TCK	JTAG
X1-6	TMS	I	TMS	JTAG Mode Select
X1-7	TDI	I	TDI	JTAG Data In
X1-8	TDO	O	TDO	JTAG Data Out
X1-12	Conf2	I	VD0 GPC8	VD0 can be used for LCD or 24 bit TFT. On JSCC9M2443 a DIP switch is connected
X1-13	Conf3	I	VD1 GPC9	VD1 can be used for LCD or 24 bit TFT. On JSCC9M2443 a DIP switch is connected
X1-14	Conf4	I	VD8 GPD0	VD8 can be used for LCD or 24 bit TFT. On JSCC9M2443 a DIP switch is connected

Pin	Signal	Type	Signal name	Description
X1-15	Conf5	I	VD9 GPD1	VD9 can be used for LCD or 24 bit TFT. On JSCC9M2443 a DIP switch is connected
X1-16	Conf6	I	VD16 GPD8	VD16 can be used for LCD or 24 bit TFT. On JSCC9M2443 a DIP switch is connected
X1-17	Conf7	I	VD17 GPD9	VD17 can be used for LCD or 24 bit TFT. On JSCC9M2443 a DIP switch is connected
X1-18	TxDA	O	TXD0 GPH0	Serial PORT A Transmit Data
X1-19	RxDA	I	RXD0 GPH1	Serial PORT A Receive Data
X1-20	RTSA#	O	RTS0# GPH9	Serial PORT A Request to send
X1-21	CTSA#	I	CTS0# GPH8	Serial PORT A Clear to Send
X1-22		I	CAMPCLK GPJ8	Pixel clock driven by the camera processor
X1-23		I	CAMHREF GPJ10	Horizontal sync driven by the camera processor
X1-24	TxDB	O	TXD2 GPH4	Serial PORT C Transmit Data
X1-25	RxDB	I	RXD2 GPH5	Serial PORT C Receive Data
X1-26	RTSB#	O	TXD3 GPH6 RTS2#	Handshake PORT C or PORT D Transmit Data
X1-27	CTSB#	I	TXD3 GPH7 CTS2#	Handshake PORT C or PORT D Receive Data
X1-28	CAMVSYNC	I	CAMVSYNC GPJ9	Frame sync driven by camera processor
X1-29	CAMDATA0	I	CAMDATA0 GPJ0	Pixel data driven by the camera processor
X1-30	CAMDATA1	I	CAMDATA1 GPJ1	Pixel data driven by the camera processor
X1-31	CAMDATA2	I	CAMDATA2 GPJ2	Pixel data driven by the camera processor
X1-32	CAMDATA3	I	CAMDATA3 GPJ3	Pixel data driven by the camera processor

Pin	Signal	Type	Signal name	Description
X1-33	CAMDATA4	I	CAMDATA4 GPJ4	Pixel data driven by the camera processor
X1-34	CAMDATA5	I	CAMDATA5 GPJ5	Pixel data driven by the camera processor
X1-35	CAMDATA6	I	CAMDATA6 GPJ6	Pixel data driven by the camera processor
X1-36	CAMDATA7	I	CAMDATA7 GPJ7	Pixel data driven by the camera processor
X1-37	USB_PWREN#	O	RSMVAD GPA14	General purpose output
X1-38	EINT5 VBUSDET	I	EINT5 GPF5	General purpose input/output
X1-39		P	GND	
X1-40	VD2	I/O	VD2 GPC10	LCD/TFT Interface
X1-41	VD3	I/O	VD3 GPC11	LCD/TFT Interface
X1-42	VD4	I/O	VD4 GPC12	LCD/TFT Interface
X1-43	VD5	I/O	VD5 GPC13	LCD/TFT Interface
X1-44	VD6	I/O	VD6 GPC14	LCD/TFT Interface
X1-45	VD6 GPC14	I/O	VD7 GPC15	LCD/TFT Interface
X1-46	EINT18\CF_CD#	I/O	EINT18 GPG10	LCD/TFT Interface
X1-47	EINT11	I/O	EINT11 GPG3	General purpose input / output
X1-48	VD10	I/O	VD10 GPD2	LCD/TFT Interface
X1-49	VD11	I/O	VD11 GPD3	LCD/TFT Interface
X1-50	VD12	I/O	VD12 GPD4	LCD/TFT Interface
X1-51	VD13	I/O	VD13 GPD5	LCD/TFT Interface
X1-52	VD14	I/O	VD14 GPD6	LCD/TFT Interface

Pin	Signal	Type	Signal name	Description
X1-53	VD15	I/O	VD15 GPD7	LCD/TFT Interface
X1-54	EINT14	I/O	EINT14 GPG6	General purpose input / output
X1-55	TCLK0	I/O	TCLK0 GPB4	General purpose input / output
X1-56	VD18	I/O	VD18 GPD10	LCD/TFT Interface
X1-57	VD19	I/O	VD19 GPD11	LCD/TFT Interface
X1-58	VD20	I/O	VD20 GPD12	LCD/TFT Interface
X1-59	VD21	I/O	VD21 GPD13	LCD/TFT Interface
X1-60	VD22	I/O	VD22 GPD14	LCD/TFT Interface
X1-61	VD23	I/O	VD23 GPD15	LCD/TFT Interface
X1-62	LCD_PWREN	I/O	EINT12 GPG4 LCD_PWREN	LCD/TFT Interface
X1-63	VM	I/O	VM GPC4	LCD/TFT Interface
X1-64	VFRAME	I/O	VFRAME GPC3	LCD/TFT Interface
X1-65	VLINE	I/O	VLINE GPC2	LCD/TFT Interface
X1-66	VCLK	I/O	VCLK GPC1	LCD/TFT Interface
X1-67	LEND	I/O	LEND GPC0	LCD/TFT Interface
X1-68	LCD_LPCOE	I/O	LCDVF0 GPC5	LCD/TFT Interface
X1-69	LCD_LPCREV	I/O	LCDVF1 GPC6	LCD/TFT Interface
X1-70	LCD_LPCREVB	I/O	LCDVF2 GPC7	LCD/TFT Interface
X1-71	TOUT0	I/O	TOUT0 GPB0	Timer out

Pin	Signal	Type	Signal name	Description
X1-72	TOUT1	I/O	TOUT1 GPB1	Timer out
X1-73	NC	I/O	WLAN_DISABLE#	Not connected; reserved for CCW9M
X1-74	NC	I/O	WLAN_LED#	Not connected; reserved for CCW9M
X1-75	SDCLK	I/O	SD0_CLK GPE5 AC_BIT_CLK	SD-interface
X1-76	SDCMD	I/O	SD0_CMD GPE6 AC_SDI	SD-interface
X1-77	SDDATA0	I/O	SD0_DAT[0] GPE7 AC_SDO	SD-interface
X1-78	SDDATA1	I/O	SD0_DAT[1] GPE8 AC_SYNC	SD-interface
X1-79	GND	P	GND	
X1-80	SDDATA2	I/O	SD0_DAT[2] GPE9 AC_RESET	SD-interface
X1-81	SDDATA3	I/O	SD0_DAT[3] GPE10	SD-interface
X1-82	EINT0	I/O	EINT0 GPF0	External interrupts
X1-84	TOUT2	I/O	TOUT2 GPB2	Timer out
X1-85	SS1#	I/O	SS1 GPL14	SPI1 Interface
X1-86	SPIMISO1	I/O	SPIMISO1 GPL12	SPI1 Interface
X1-87	SPIMOSI1	I/O	SPIMOSI1 GPL11	SPI1 Interface
X1-88	SPICLK1	I/O	SPICLK1 GPL10	SPI1 Interface
X1-89	EINT17	I/O	EINT17 GPG9	General purpose input / output
X1-90	EINT1\SD_CD#	I/O	EINT1 GPF1	General purpose input / output

Pin	Signal	Type	Signal name	Description
X1-92	ROE#	I/O	ROE#	Ext. bus control
X1-93	RWE#	I/O	RWE#	Ext. bus control
X1-94	WAIT#	I/O	WAIT#	Ext. bus control
X1-95	RCS1#	I/O	RCS1#	Chip selects
X1-96	RCS2#	I/O	RCS2#	Chip selects
X1-97	RCS3#	I/O	RCS3#	Chip selects
X1-98	RCS4#	I/O	RCS4#	Chip selects
X1-99	PWREN	O	PWREN	1.8V core power on-off control
X1-100	BATT_FLT#	I	BATT_FLT#	Battery fault
X1-101	CAMCLKOUT	O	CAMCLKOUT GPJ11	Master clock to the camera processor
X1-102	CAMRESET	O	CAMRESET GPJ12	Software reset or power down to the camera processor
X1-103	RBE0#	O	RBE0#	Upper byte / lower byte enable
X1-104	RBE1#	O	RBE1#	Upper byte / lower byte enable
X1-107	SS0#	O	SS0 GPL13	SPI0 chip select
X1-108	SPIMISO0	I	SPIMISO0 GPE1	SPI_Master IN
X1-109	SPIMOSI0	O	SPIMOSI0 GPE12	SPI_Master OUT
X1-110	SPICLK0	O	SPICLK0 GPE13	SPI0 clock
X1-111	I2CSCL	O	I2CSCL	I2C clock
X1-112	I2CSDA	I/O	I2CSDA	I2C data
X1-113	EINT8 USB_DT/PW	I/O	EINT8 GPG0	Not used
X1-114	USBP	I/O	USBP	USB data host1, device
X1-115	USBN	I/O	USBN	USB data host1, device
X1-116	VRTC	P	VRTC	Power for RTC
X1-117	GND	P	GND	
X1-118	+3.3V	P	+3.3V	+3.3V for peripherals
X1-119	VLIO	P	VLIO	Power from Li-Ion battery for core

Pin	Signal	Type	Signal name	Description
X1-120	+3.3V	P	+3.3V	+3.3V for peripherals

System connector X2

Pin	Signal	Type	Signal name	Description
X2-1	USBP0	I/O	USBP0	USB data host0
X2-2	GND	P	GND	
X2-3	USBN0	I/O	USBN0	USB data host 0
X2-4	RADDR0	O	RADDR0 GPA0	
X2-5	RADDR1	O	RADDR1	Address line
X2-6	RADDR2	O	RADDR2	Address line
X2-7	RADDR3	O	RADDR3	Address line
X2-8	RADDR4	O	RADDR4	Address line
X2-9	RADDR5	O	RADDR5	Address line
X2-10	RADDR6	O	RADDR6	Address line
X2-11	RADDR7	O	RADDR7	Address line
X2-12	RADDR8	O	RADDR8	Address line
X2-13	RADDR9	O	RADDR9	Address line
X2-14	RADDR10	O	RADDR10	Address line
X2-15	RADDR11	O	RADDR11	Address line
X2-16	RADDR12	O	RADDR12	Address line
X2-17	RADDR13	O	RADDR13	Address line
X2-18	RADDR14	O	RADDR14	Address line
X2-19	RADDR15	O	RADDR15	Address line
X2-20	RADDR16	O	RADDR16 GPA1	Address line
X2-21	RADDR17	O	RADDR17 GPA2	Address line
X2-22	RADDR18	O	RADDR18 GPA3	Address line
X2-23	RADDR19	O	RADDR19 GPA4	Address line
X2-24	RADDR20	O	RADDR20 GPA5	Address line

Pin	Signal	Type	Signal name	Description
X2-25	RADDR21	O	RADDR21 GPA6	Address line
X2-26	RADDR22	O	RADDR22 GPA7	Address line
X2-27	RADDR23	O	RADDR23 GPA8	Address line
X2-28	RADDR24	O	RADDR24 GPA9	Address line
X2-29	RADDR25	O	RADDR25 RDATA_OEN	Address line
X2-30	NC	-	(A26)	Pull down on module
X2-31	RxD1	I	RXD1 GPH3	Serial PORT B
X2-32	TxD1	O	TXD1 GPH2	Serial PORT B
X2-33	CTS1#	I	CTS1# GPH10	Serial PORT B
X2-34	RTS1#	O	RTS1# GPH11	Serial PORT B
X2-35				reserved
X2-36	XDREQ0#	I/O	XDREQ0# GPB10	DMA
X2-37	XDREQ1#	I/O	XDREQ1# GPB8	DMA
X2-38	XDACK0#	I/O	XDACK0# GPB9	DMA
X2-39	XDACK1#	I/O	XDACK1# GPB7	DMA
X2-40	GND	P	GND	
X2-41	AIN4	AI	AIN4	A/D converter
X2-42	AIN5	AI	AIN5	A/D converter
X2-43	AIN0	AI	AIN0	A/D converter
X2-44	AIN1	AI	AIN1	A/D converter
X2-45	AIN2	AI	AIN2	A/D converter
X2-46	AIN3	AI	AIN3	A/D converter
X2-47	AIN6/YM	AI	AIN6/YM	A/D converter or touch interface
X2-48	AIN7/YP	AI	AIN7/YP	A/D converter or touch interface

Pin	Signal	Type	Signal name	Description
X2-49	AIN8/XM	AI	AIN8/XM	A/D converter or touch interface
X2-50	AIN9/XP	AI	AIN9/XP	A/D converter or touch interface
X2-51	AVCC	P	AVCC	Analog VCC
X2-52	AGND	P	AGND	Analog GND
X2-53	NC			Reserved for CCW9M CPLD_TDI
X2-54	NC			Reserved for CCW9M CPLD_TCK
X2-55	NC			Reserved for CCW9M CPLD_TMS
X2-56	NC			Reserved for CCW9M CPLD_TDO
X2-57	XBREQ#	I/O	XBREQ# BPG6	Ext. bus control
X2-58	XBACK#	I/O	XBACK# GPB5	Ext. bus control
X2-59	EINT16 USBHOPEN	I	EINT16 GPG8	USB0 host power fault if low
X2-60	PME	O	PME	Ethernet controller power management event
X2-61	I2SSDO	I/O	I2SSDO GPE4 AC_SDO0	Audio interface
X2-62	I2SSDI	I/O	I2SSDI GPE3 AC_SDI0	Audio interface
X2-63	I2SSCDCLK	I/O	I2SCDCLK GPE2 AC_BIT_CLK0	Audio interface
X2-64	I2SSCLK	I/O	I2SSCLK GPE1 AC_SYNC	Audio interface
X2-65	I2SLRCK	I/O	I2SLRCK GPE0 AC_nRESET	Audio interface
X2-66	TPIN	I	TPIN	Ethernet 0 input
X2-67	LEDLNK	O	LEDLNK	Ethernet 0 link/activity LED
X2-68	TPIP	I	TPIP	Ethernet 0 input +
X2-69	LEDSPD	O	LEDSPD	Ethernet 0 speed LED
X2-70	TPON	O	TPON	Ethernet 0 output
X2-71	ETHGPIO2 LED3#	O	ETHGPIO2/LED3#	Ethernet 0 full duplex LED

Pin	Signal	Type	Signal name	Description
X2-72	TPOP	O	TPOP	Ethernet 0 output +
X2-73	OE_CF#	O	OE_CF# GPA11	Compact Flash interface
X2-74	WE_CF#	O	WE_CF# GPA15	Compact Flash interface
X2-75	IREQ_CF#	I	IREQ_CF# EINT19 GPG11	Compact Flash interface
X2-76	INPACK_CF#	I	INPACK_CF# EINT20 GPG12	Compact Flash interface
X2-77	REG_CF#	O	REG_CF# EINT21 GPG13	Compact Flash interface
X2-78	RESET_CF	O	RESET_CF EINT22 GPG14	Compact Flash interface
X2-79	PWEN_CF	O	PWEN_CF EINT23 GPG15	Compact Flash interface
X2-80	GND	P	GND	
X2-81	RDATA0	I/O	RDATA0	Data Bus
X2-82	RDATA1	I/O	RDATA1	Data Bus
X2-83	RDATA2	I/O	RDATA2	Data Bus
X2-84	RDATA3	I/O	RDATA3	Data Bus
X2-85	RDATA4	I/O	RDATA4	Data Bus
X2-86	RDATA5	I/O	RDATA5	Data Bus
X2-87	RDATA6	I/O	RDATA6	Data Bus
X2-88	RDATA7	I/O	RDATA7	Data Bus
X2-89	RDATA8	I/O	RDATA8	Data Bus
X2-90	RDATA9	I/O	RDATA9	Data Bus
X2-91	RDATA10	I/O	RDATA10	Data Bus
X2-92	RDATA11	I/O	RDATA11	Data Bus
X2-93	RDATA12	I/O	RDATA12	Data Bus
X2-94	RDATA13	I/O	RDATA13	Data Bus
X2-95	RDATA14	I/O	RDATA14	Data Bus

Pin	Signal	Type	Signal name	Description
X2-96	RDATA15	I/O	RDATA15	Data Bus
X2-97	SD1_DAT0	I/O	SD1_DAT0 GPL0	SD card interface 1
X2-98	SD1_DAT1	I/O	SD1_DAT1 GPL1	SD card interface 1
X2-99	SD1_DAT2	I/O	SD1_DAT2 GPL2	SD card interface 1
X2-100	SD1_DAT3	I/O	SD1_DAT3 GPL3	SD card interface 1
X2-101	SD1_DAT4	I/O	SD1_DAT4 GPL4	SD card interface 1
X2-102	SD1_DAT5	I/O	SD1_DAT5 GPL5	SD card interface 1
X2-103	SD1_DAT6	I/O	SD1_DAT6 GPL6	SD card interface 1
X2-104	SD1_DAT7	I/O	SD1_DAT7 GPL7	SD card interface 1
X2-105	SD1_CMD	I/O	SD1_CMD GPL8	SD card interface 1
X2-106	SD1_CLK	I/O	SD1_CLK GPL9	SD card interface 1
X2-107	SD1_WP#	I/O	SD1_nWP GPJ15	SD card interface 1
X2-108	SD1_CD#	I/O	SD1_nCD GPJ14	SD card interface 1
X2-109	SD1_LED#	I/O	SD1_LED GPJ13	SD card interface 1
X2-110	EINT6	I/O	EINT6 GPF6	General purpose input / output
X2-111	EINT13	I/O	EINT13 GPG5	General purpose input / output
X2-116	CLKOUT1	I/O	CLKOUT1 GPH14	Timer output
X2-119	CLKOUT	O	BCLKOUT0	Buffered clockout0
X2-120	GND	P	GND	

Configuration pins - CPU

The following configuration pins are hardwired on the module: Default module CPU configuration.

		MCONF0 (GPF3)	MCONF1 (GPF4)	MCONF2 (GPM0)	MCONF3 (GPF2)	MCONF4 (GPH12)
SDRAM-Type	16 MB	0	0	x	x	x
	32 MB	0	1	x	x	x
	64 MB	1	0	x	x	x
	128 MB	1	1	x	x	x
SDRAM-CL	2	x	x	0	0	x
	3	x	x	0	1	x
	4	x	x	1	0	x
	5	x	x	1	1	x
CPU	400 MHz	x	x	x	x	0
	533 MHz	x	x	x	x	1

x = don't care

OM0 is fixed to GND for setting XTAL.

OM4 is fixed to GND for setting NAND.

OM1-3 are depending of the FLASH type.

No pins are available on the module connectors.

About the Development Board

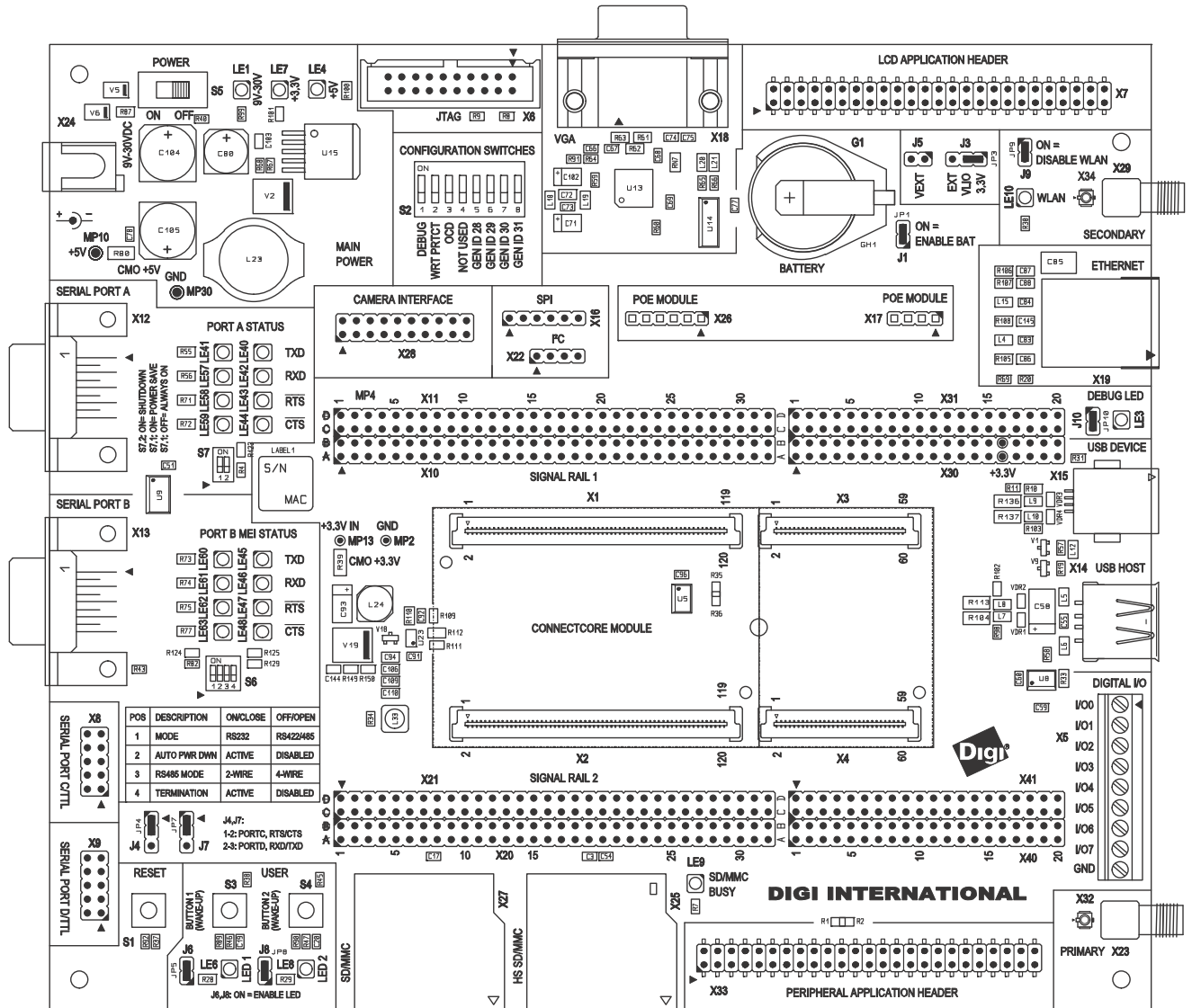
C H A P T E R 2

The ConnectCore 9M 2443 Development Board supports the ConnectCore 9M 2443 and ConnectCore Wi-9M 2443 module. This chapter describes the different components of the development board, which provides the following main features:

What's on the development board?

- RJ-45 Ethernet Connector
- Connectors for Digi 802.3af PoE application board (sold separately)
- 1 x UART RS232 with status LEDs and SUB-D 9-pin connector
- 1 x UART MEI (RS232/RS4xx) with status LEDs and SUB-D 9-pin connectors
- 2 x UART with TTL levels
- USB Host Connector
- USB Device Connector
- SPI, I2C headers
- LCD Application Connector with Touch Screen Interface
- VGA interface
- 2 x User LEDs (green)
- 2 x User Keys
- 1 x Debug LED
- Screw-flange connector for GPIO
- Peripheral application header 0
 - Including access to 16-bit data /10-bit address bus signals
- Connectors with 1:1 copies of module pins
- Eight-position configuration DIP switch
- Flexible 9-30VDC power supply
- Test points and current measurement options (+3.3V & 5V)
- 3V coin cell battery
- JTAG connector

The development board





User interface

The ConnectCore 9M 2443 development board implements two user buttons and two user LEDs in addition to those provided on the module. The user LEDs on the development board can be enabled or disabled by correctly setting jumper J5 and J6. The table below shows which S3C22443 GPIO is available for implementing the user interface.

Signal name	GPIO used	Comments
USER_BUTTON1	GPF0	100 Ohm serial resistors should be used to avoid conflicts with the CPU functions when the buttons are pushed.
USER_LED1#	GPL11	Jumper JP5 as to be set.
USER_BUTTON2	GPF1	100 Ohm serial resistors are used to avoid conflicts with the CPU functions when the buttons are pushed.
USER_LED2#	GPL10	Jumper JP6 as to be set.

Both push-buttons can also be used for wake-up functions.

Power management

User buttons can also be used as a wake-up event for power management modes.

The user LEDs on the development board can be enabled or disabled by correctly setting J5/J6.

General information

The integrated on-chip functions of the module are outlined below.

Signal name	GPIO used
USER_LED_1	GPL11
USER_LED_2	GPL10

Power supply

- ConnectCore 9M 2443 Development Board is powered by either the main 9-30VDC power supply or by the PoE (IEEE 802.3af) module near to the Ethernet connector.
- Both power supply sources can be switched off through one power switch.
- From the varying input voltage (9-30VDC), a stable base power supply is created on the ConnectCore 9M 2443 development board. The 3.3VDC power supply is provided to the module, where other power supplies can be generated.

3.3VDC power controller - VLIO

- The ConnectCore 9M 2443 module supports another external power source: VLIO. This power source normally comes from a battery and is used in Mobile application for generating the S3C2443 core voltage. On the ConnectCore 9M 2443 development board, VLIO is selectable by jumper setting onboard +3.3VDC, or external VLIO.

Power LEDs

- Two power LEDs are available on the development board, and indicate:
 - presence of 9-30VDC power supply,
 - presence of +5V, or
 - presence of 3.3VDC power supply.
- All power LEDs are red.

Coin cell for RTC

- A 3.0V coin cell should be used on the ConnectCore 9M 2443 development board for powering the RTC unit on the module.

Current measuring option

- Measuring the current on the development board allows evaluation of power needed for various board designs.
- A current measuring option is implemented by adding a weak resistor in a series with the power supply that needs to be measured.
- Current measurement values might be performed for 3.3VDC, VLIO and VRTC.
- Coin cell battery voltage can also be monitored by adding a jumper between the coin cell and the VRTC power supply on the ConnectCore 9M 2443 module.

Reset

- A push-button allows manual reset by connecting RSTIN# to ground. The reset controller is located on the ConnectCore 9M 2443 module.

JTAG interface

- The module JTAG interface is supported through a 20-pin Multi-ICE JTAG connector, which is located on the ConnectCore 9M 2443 development board.
- This connector supports RTCK signal (optional).
- TRST# signal has a 2.2K pull-down resistor on module. This means a debugger with push-pull output at TRST# is needed and open drain is not working.

I²C interface

- The ConnectCore 9M 2443 module provides access to one I²C channel. 4k7 pull-ups resistors are used on the module for these signals.
- I²C signals are accessible on the 1:1 expansion connectors and on the dedicated I²C header.

PoE connectors

- The POE connectors support the PoE Application Module.



Peripheral application connector

- The Peripheral application connector supports the JumpStart Application Modules.

LCD Application Kit Connector

- The LCD Application Kit Connector supports the JumpStart LCD modules.

VGA interface

- A standard VGA Interface is provided to support an external monitor.

UARTs

- The ConnectCore 9M 2443 development board is supporting the 4 UARTs available on the ConnectCore 9M 2443 module. Detailed usage, of each UART is described in the following chapters.

UART A - console

- The ConnectCore 9M 2443 UART A signals are used as the standard console. This UART supports TXD, RXD and CTS#, RTS# handshake lines.
- UART A signals are available on RS232 levels. This connector is a DSUB9 male which will connect to the host via null modem cable.
- UART A is providing status LEDs on TXD, RXD, RTS# and CTS# handshake signals.
- UART A line drivers can be disabled if required.

UART B - UART / MEI

- The ConnectCore 9M 2443 UART B signals are full-function UART, providing access to TXD, RXD and CTS#, RTS# handshake signals.
- UART B signals are available on RS232 levels. This connector is a DSUB9 male which will connect to the host via null modem cable.
- UART B is providing status LEDs on TXD, RXD, RTS#, CTS#.
- UART B is also the interface supporting the Digi MEI interface (RS422/RS485).
- UART B line drivers can be disabled if required.

UART C - TTL interface

- The ConnectCore 9M 2443 UART C signals provide access to TXD, RXD and CTS#, RTS# (if UART D is not used, else TXD, RXD only).
- UART C signals are available on TTL levels. Connector is a 2x5-pin 2.54mm header compatible with TTL2RS232 adapter (P/N: FS-276).

UART D - TTL interface

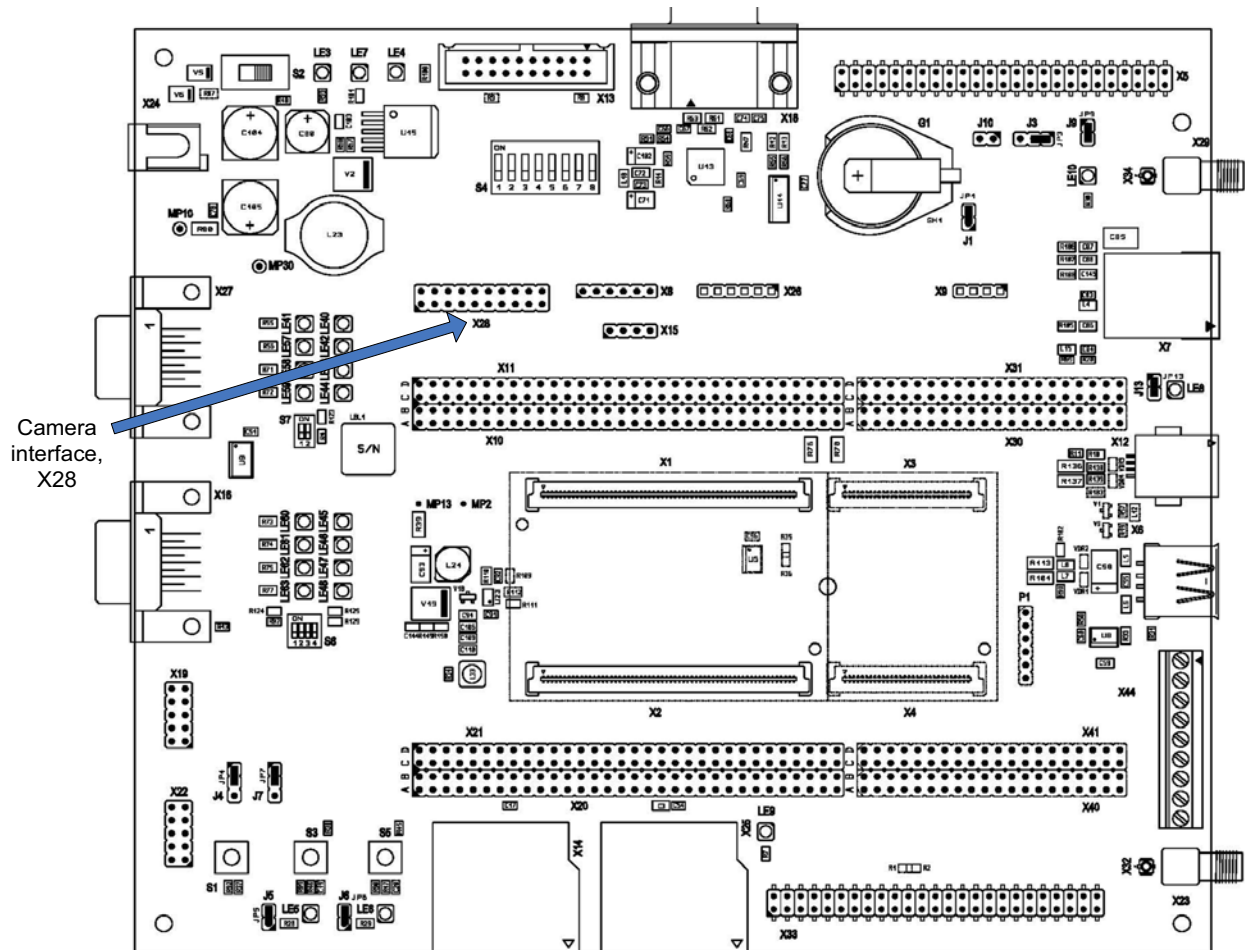
- The ConnectCore 9M 2443 UART D signals provide access to TXD and RXD signals (if UART C handshake is not used).
- UART D signals are available on TTL levels. This connector is a 2x5-pin 2.54mm header compatible with TTL2RS232 adapter (P/N: FS-276).

SPI interface(s)

- The ConnectCore 9M 2443 development board provides access to ConnectCore 9M 2443 module's SPI interfaces SPI0 and SPI1.
- HS SPI0 signals are available on the dedicated SPI 6-pin header.
- HS SPI0 and SPI1 are also available on the 1:1 extension connectors.

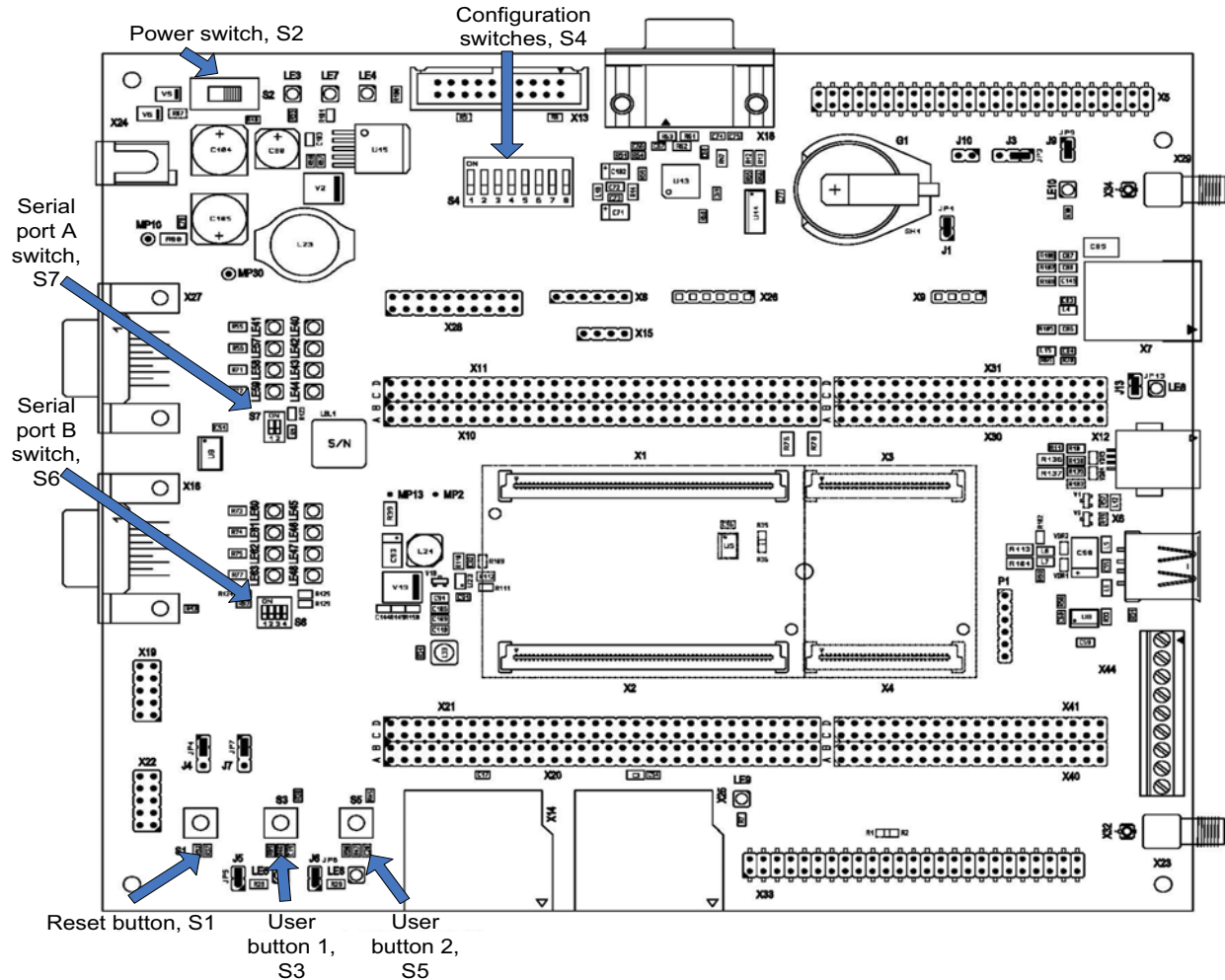
Camera interface

The camera interface supports ITU R BT-601/656 YCbCr 8-bit standard and Memory. Maximum input size is 4096x4096 pixels (2048x2048 pixels for scaling). Two scalers exist. One is the preview scaler, which is dedicated to generate smaller size images for preview. The other one is the codec scaler, which is dedicated to generate codec useful images like plane type YCbCr 4:2:0 or 4:2:2.



The Digi Multimedia Application Kit (Digi P/N CC-ACC-MMK-2443) provides a camera sensor reference design. Please contact your distributor or Digi sales office for details.

Switches and push-buttons



Reset control, S1

The reset push-button S1, resets the module. On the module, RSTOUT# and PWRGOOD are produced for peripherals. A push-button allows manual reset by connecting RSTIN# to ground. The reset controller is located on the module.

Power switch, S2

The development board has an ON/OFF switch S2. The power switch S2 can switch both 9V-30V input power supply and 12V coming out of the PoE module. However, if a power plug is connected to the DC power jack, the PoE module is disabled. User pushbuttons, S3 and S5.



Use the user push-buttons to interact with the applications running on the module.
Use these module signals to implement the push-buttons:

Signal name	Switch (pushbutton)	GPIO used
USER_PUSH_BUTTON_1	S3	GPF0
USER_PUSH_BUTTON_2	S5	GPF6

Legend for multi-pin switches

Switches S4, S6, and S7 are multi-pin switches. In the description tables for these switches, the pin is designated as *S[switch number].[pin number]*. For example, pin 1 in switch 2 is specified as S4.1.

Module configuration switches, S4

Use S2 to configure the module:

Dip-switch position	Usage
1	DEBUGEN#
2	Reserved
3	OCD_EN
4	Reserved
5	SW_CONF4

Serial port B MEI configuration switches

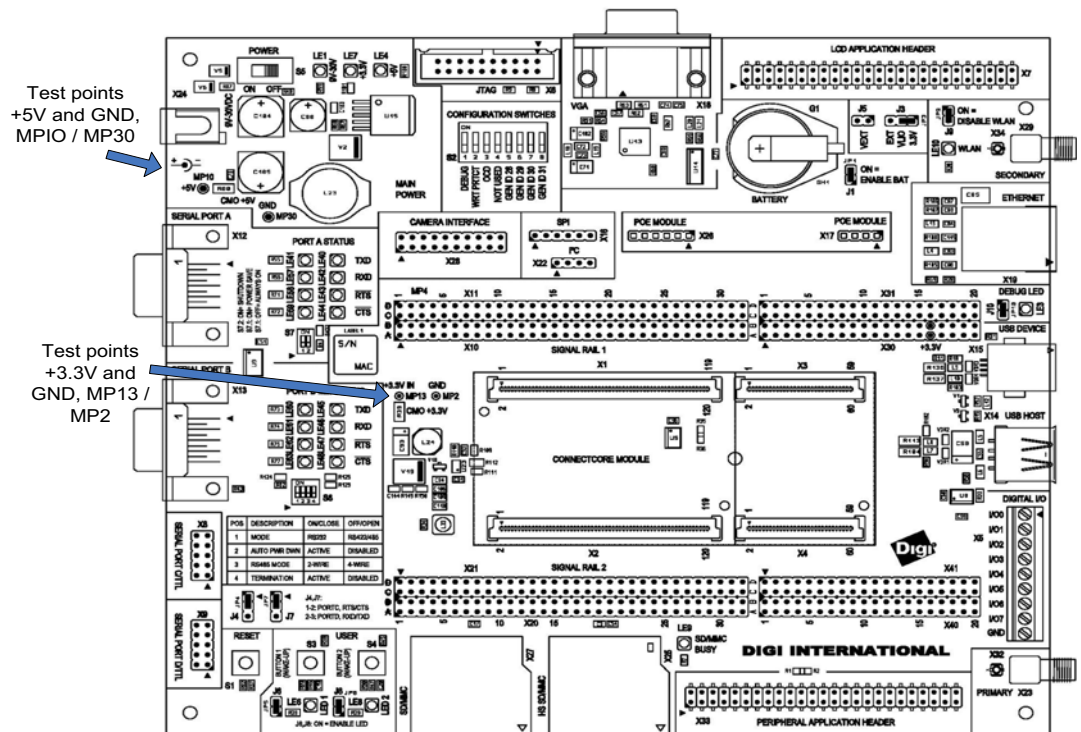
Use S6 to configure the line interface for serial port B MEI.

Switch pin	Function	Comments
S6.1	On = RS232 transceiver enabled RS422/RS485 transceiver disabled Off= RS232 transceiver disabled RS422/RS485 transceivers enabled	
S6.2	On = Auto Power Down enabled Off = Auto Power Down disabled	Auto Power Down is not supported on this board. This signal is only accessible to permit the user to completely disable the MEI interface for using signals for other purposes. To disable the MEI interface go in RS232 mode (S6.1 = ON) and activate the Auto Power Down feature (S6.2 = ON). Be sure that no cable is connected to connector X3.
S6.3	On = 2 wire interface (RS422/RS485) Off = 4 wire interface (RS422)	

Switch pin	Function	Comments
S6.4	On = Terminator on Off = No termination	

Test points

The development board provides four test points that can be identified by board label or test point number.



Numbers and description

Test point	Label	Source / comment
MP10	+5V	DC/DC regulator (U15) with 9-30VDC input
MP30	GND	Common ground
MP13	+3.3V	DC/DC regulator (U23) with 5VDC input
MP2	GND	Common ground

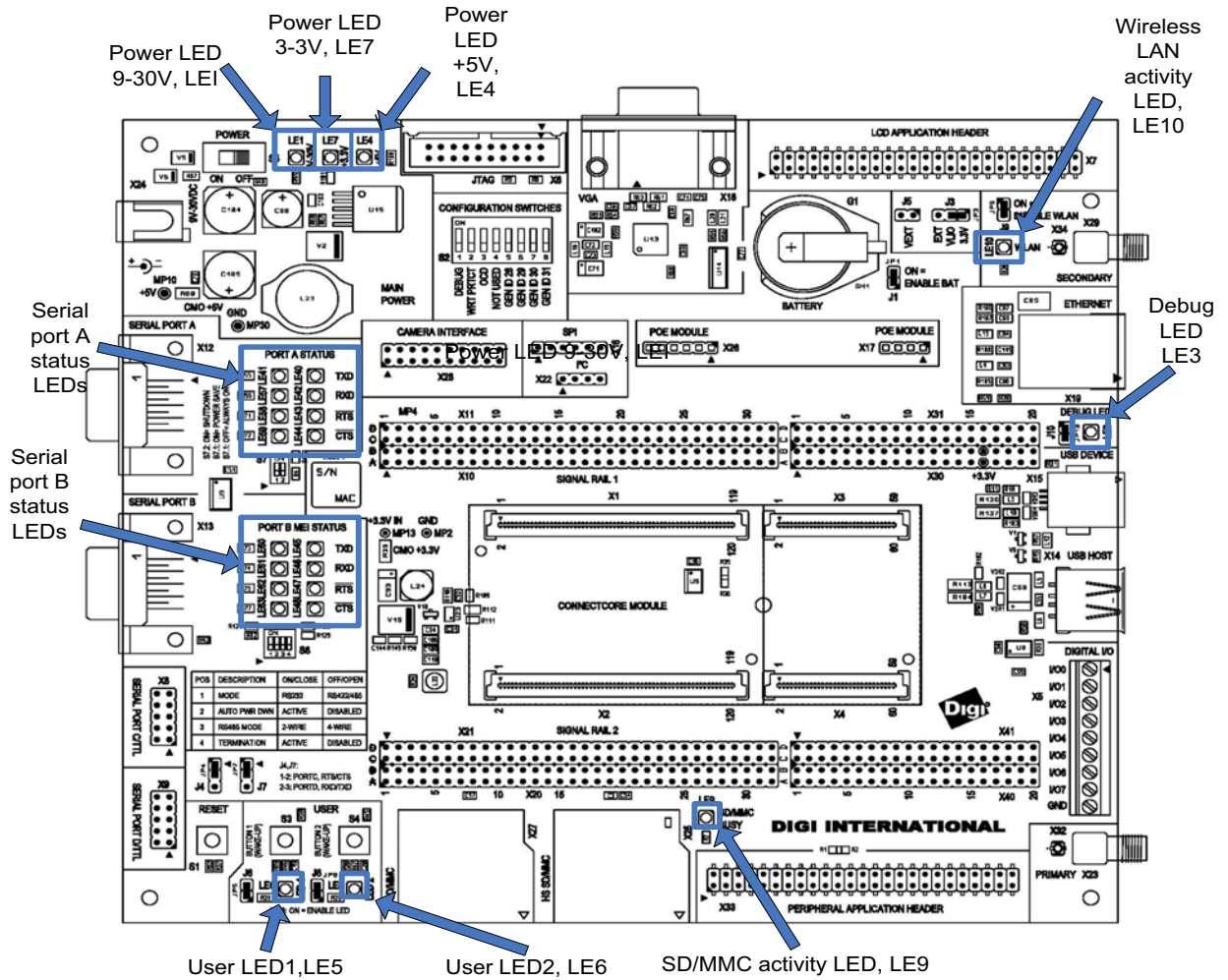
Factory default interface configuration for development board



These interfaces are enabled as shown per factory default configuration:

Interface	Factory default status
LCD VGA	Enabled
I ² C	Enabled
I ² C user-driven I/Os	Enabled
EIA-232 Serial Port A	Enabled
EIA-485 Serial Port A	Disabled
EIA-232 Serial Port B	Enabled
TTL Serial Port C	Disabled
TTL Serial Port D	Disabled
SPI Serial Port B	Disabled

LEDs



WLAN, LE10

LED indicating WLAN activity.

Power LEDs, LE1, LE4, and LE7

The power LEDs are all red. These power supplies must be present and cannot be switched.

- LE1 ON indicates +9VDC / +30VDC power is present
- LE4 ON indicates +5VDC power is present
- LE7 ON indicates +3.3VDC power is present



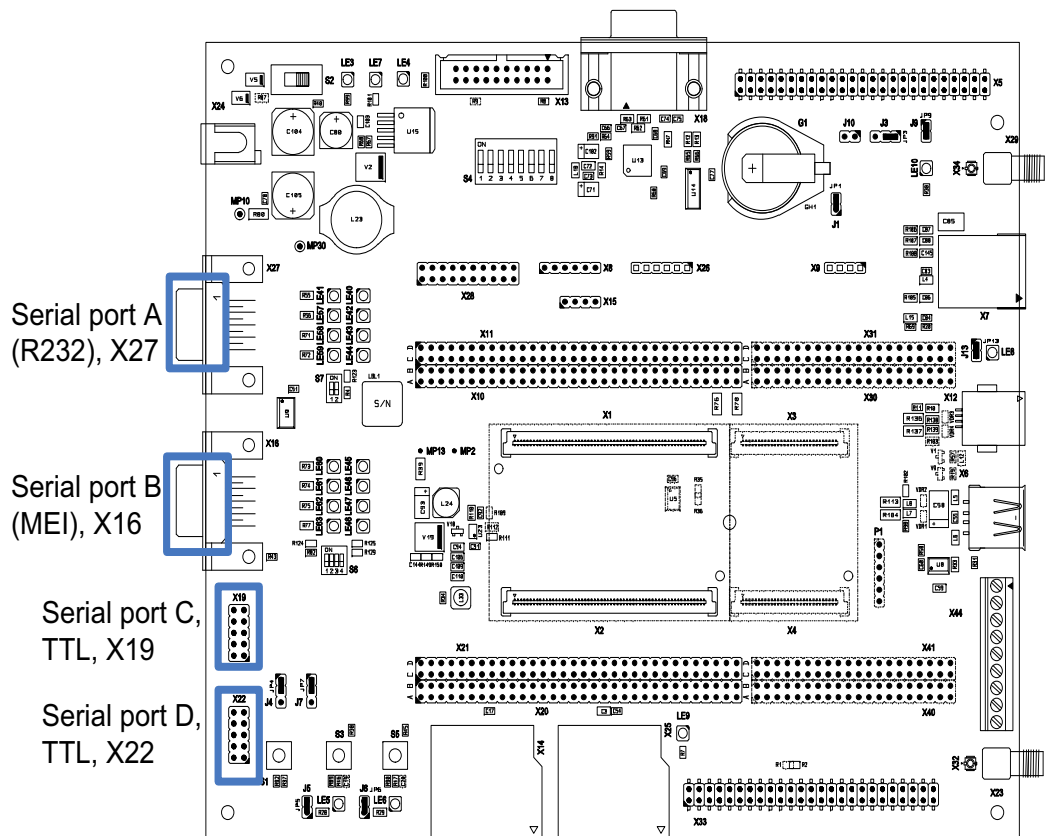
User LEDs, LE5 and LE6

The user LEDs are controlled through applications running on the modules if J6 and J8 are set. Use these module signals to implement LEDs:

Signal name	LED	GPIO used
USER_LED1#	LE5	GPL11
USER_LED2#	LED6	GPL10

Serial status LEDs

The development board has two sets of serial port LEDs - eight for serial port A and eight for serial port B. The LEDs are connected to the TTL side of the RS232 or RS422/485 transceivers.



- Green means corresponding signal is high
- Red means corresponding signal is low

Status LEDs Serial port A

LED reference		Function
RED	GREEN	
LE59	LE44	CTS0#/GPH8
LE58	LE43	RTS0#/GPH9
LE57	LE42	RXD0/GPH1
LE41	LE40	TXD0/GPH0

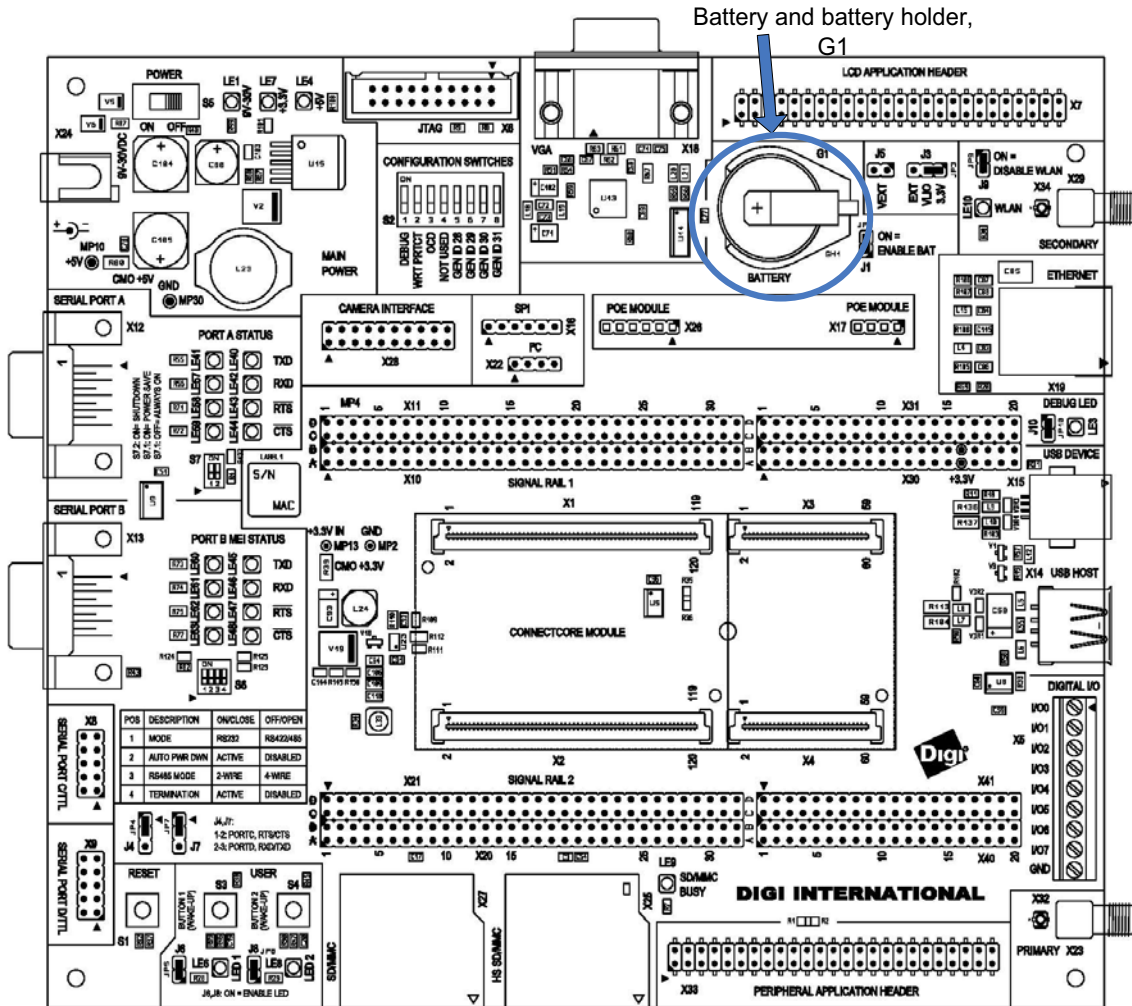
Status LEDs Serial port B

LED reference		Function
RED	GREEN	
LE63	LE48	CTS1#/GPH10
LE62	LE47	RTS1#/GPH11
LE61	LE46	RXD1/GPH3
LE60	LE45	TXD01GPH2

Debug, LE3

Signal name	LED	GPIO used
DEBUG_LED	LE8	GPB2/TOUT2

Battery and battery holder

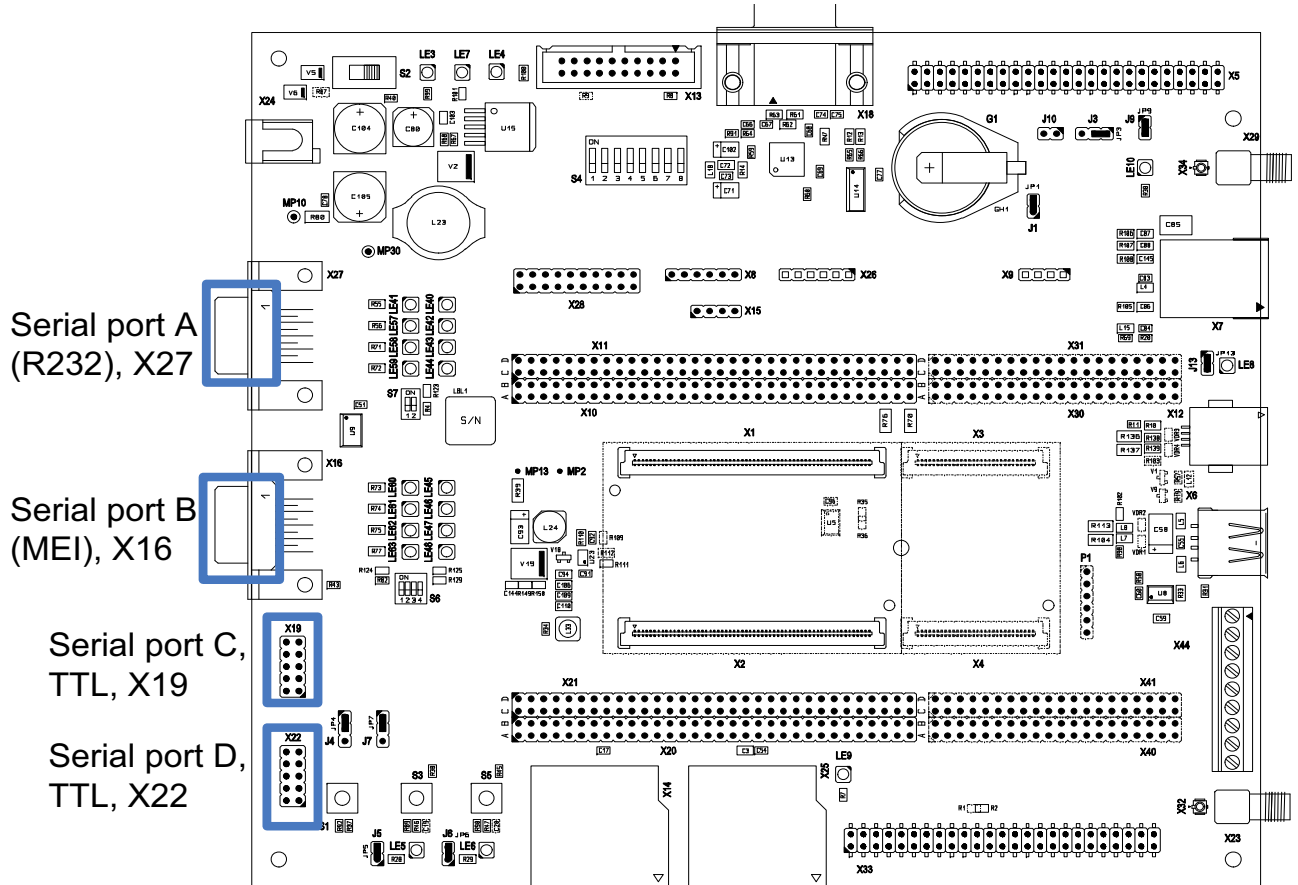


Battery holder	Battery
Coin-Cell Holder for CR2032 Battery	Lithium coin cell
SMD	200mAh
Keystone 1061TR	Renata CR2032

The development board provides a battery to back up the module integrated RTC while the main power is disconnected.

The Jumper J1 controls whatever battery power is available. For more information see the section, “Jumpers” on page 103 of this document.

Serial UART ports



Serial port A, RS232, X27

The serial (UART) port A connector, X27, is a DSUB9 male connector and is also used as the standard console port. This asynchronous serial port is DTE and requires a null-modem cable to connect to a computer serial port.

The serial port A interface corresponds to S3C2443 UART 0. The line driver is enabled or disabled using S7.2.

Refer to page 68 for information about switch settings.



Serial port A pins are allocated as shown below:

Pin	Function	Defaults to
1	NC	-
2	RXD	GPH1
3	TXD	GPH0
4	NC	-
5	GND	-
6	NC	-
7	RTS#	GPH9
8	CTS#	GPH8
9	NC	-

By default, serial A signals are configured to their respective GPIO signals. It is the responsibility of the driver to configure them properly.

Serial port B, MEI interface, X16

The serial (UART) port B connector X16 is a DSUB9 male connector. This asynchronous serial port is DTE and requires a null modem cable to connect to a computer serial port.

The serial port B MEI (multiple electrical interface) interface corresponds to S3C2443 UART port B. The line drivers are configured using switch S6.

Note that all port B pins are allocated as shown:

Pin	RS232 function	RS232 default	RS485 function	RS485 default
1			CTS-	n/a
2	RXD	GPH3	RX+	GPH3
3	TXD	GPH2	TX+	GPH2
4			RTS-	n/a
5	GND	-	GND	-
6			RX-	n/a
7	RTS#	GPH11	RTS+	GPIO11
8	CTS#	GPH10	CTS+	GPH10
9			TX-	n/a

By default serial B signals are configured to their respective GPIO signals. It is the responsibility of the driver to configure them properly.

Serial port C, TTL interface, X19

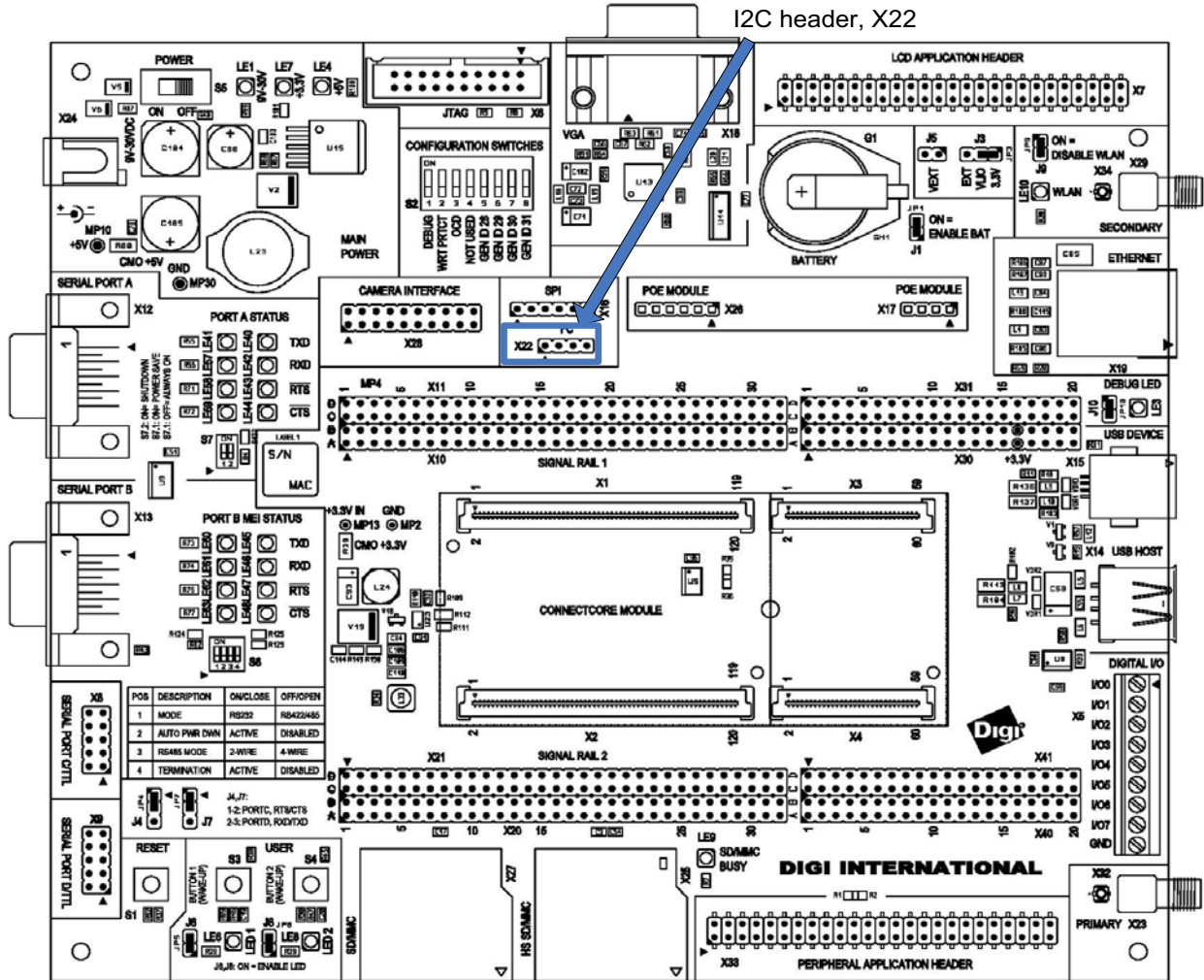
Pin	Function	Defaults to
1	NC	
2	NC	
3	RXD2	GPH5
4	RTS2#/TXD3	GPH6
5	TXD2	GPH4
6	CTS2#/RXD3	GPH7
7	NC	
8	NC	
9	GND	
10	+3.3V	



**Serial port D,
TTL interface,
X22**

Pin	Function	Defaults to
1	NC	
2	NC	
3	CTS2#/RXD3	GPH7
4	NC	
5	RTS2#/TXD3	GPH6
6	NC	
7	NC	
8	NC	
9	GND	
10	+3.3V	

I2C interface



I2C connector, X22

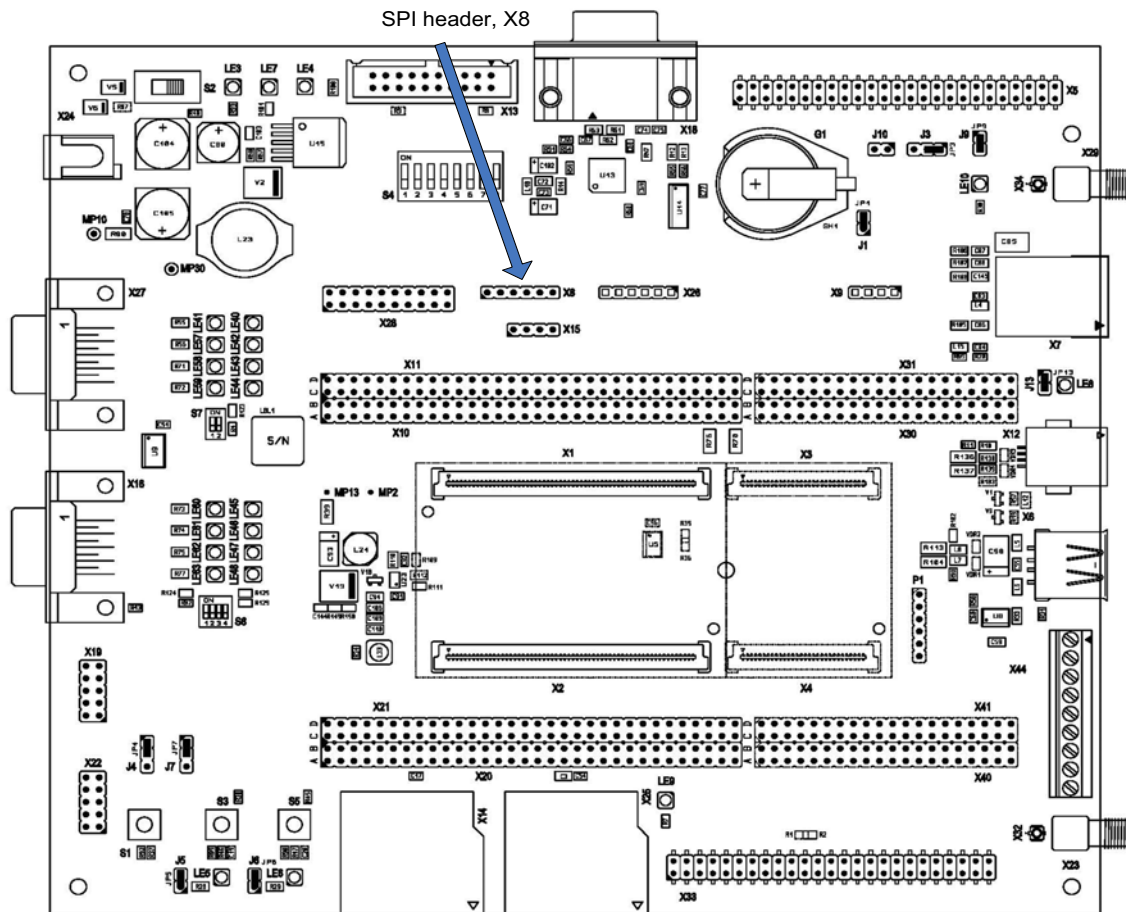
The table below provides the pinout of the I2C header.

Pin	Function	Comment
1	I2C_SDA	GPE15
2	+3.3V	
3	I2C_SCL	GPE14
4	GND	

See page 91 for information about I/O expander I2C device on the development board.



SPI interface



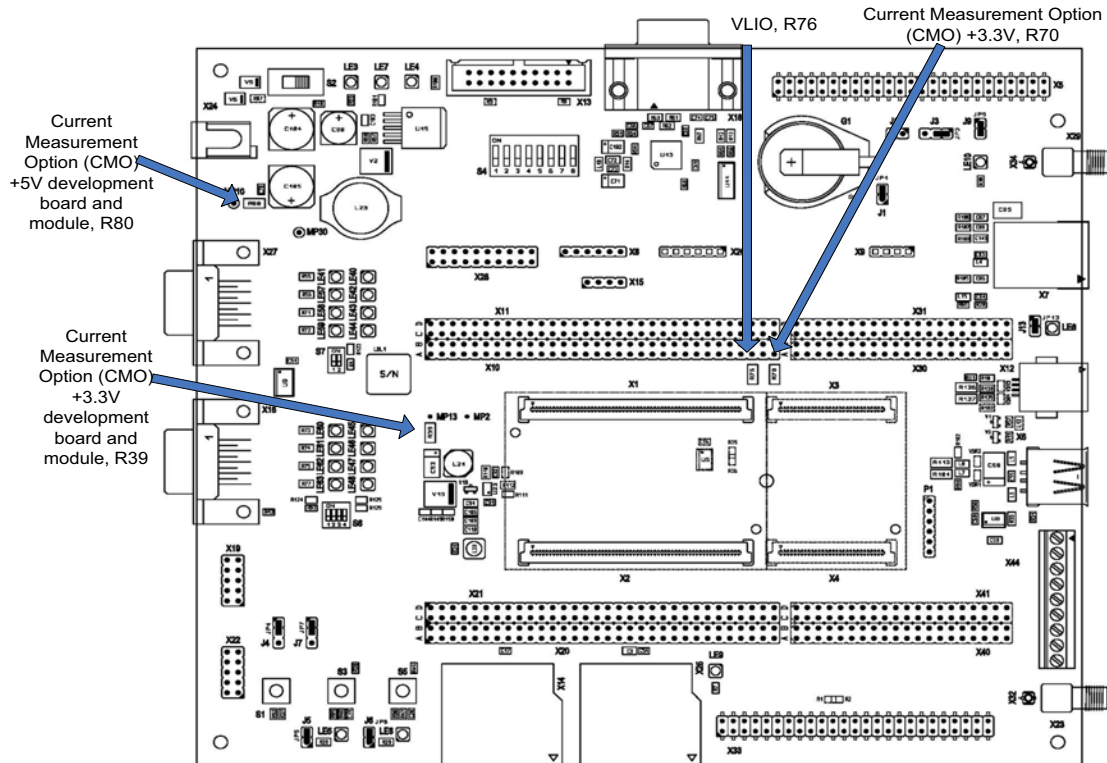
X8-SPI connector

The following table provides the pinout of the SPI header:

Pin	Function	Comment
1	+3.3V	
2	SPIMOSIO	GPE12 or High speed SPI Master Out Slave In
3	SPI_MISO0	GPE12 or High speed SPI Master In Slave Out
4	SPI_CLK0	GPE12 or High speed SPI clock
5	SS0#	GPE13 or High speed SPI Chip Select
6	GND	



Current Measurement Option



Measurement options

The Current Measurement Option uses 0.025R ohm series resistors to measure the current. The ConnectCore 9M 2443 Development board can measure:

- the +5V current used by the development board and module (through R80),
- the +3.3V current into the +3.3V regulator U23 (through R39),
- the +3.3V current into the module (through R70), and
- the VLIO current into the module (through R76).

How the CMO works

To measure the load current used on different power supplies, measure DC voltage across the sense (CMO) resistor. The value of the resistor is $0.025R \pm 1\%$.

Calculate the current using this equation: $I = U/R$

where

I = current in Ampere

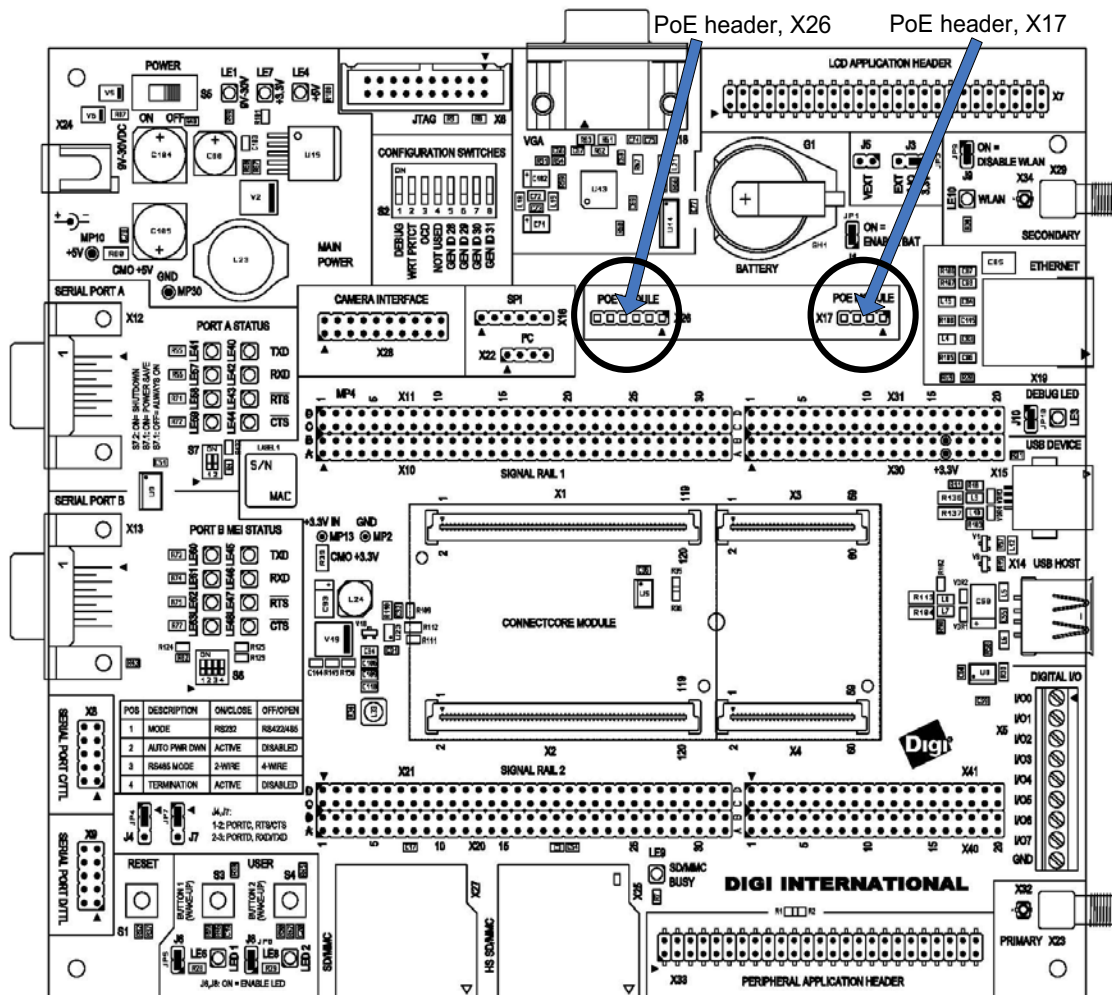
U = measured voltage in Volt

R = 0.025 Ohm

PoE module connectors - IEEE802.3af

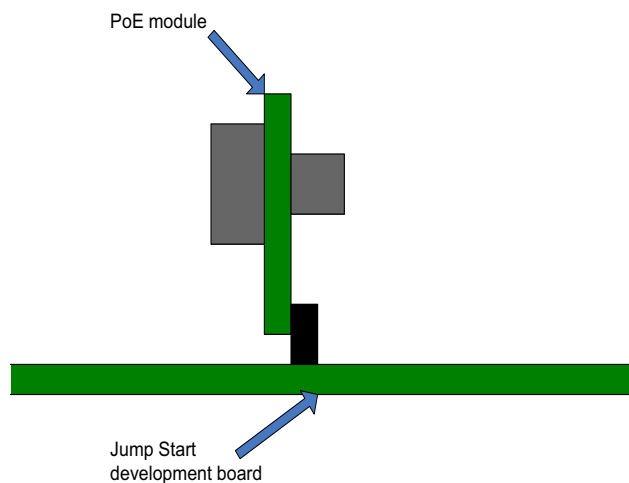
The development board has two PoE module connectors, X9 and X26. The PoE module is an optional accessory item that can be plugged on the development board through the two connectors:

- X26, output connector: Provides the output power supply from the PoE module.
- X17, input connector: Provides access to the PoE signals coming from the Ethernet interface.



The PoE module

Plug in the PoE module at a right angle to the development board, as shown in this drawing:



PoE connector (power in), X17

Pin	Function
1	POE_TX_CT
2	POE_RX_CT
3	POE_RJ45_4/5
4	POE_RJ45_7/8

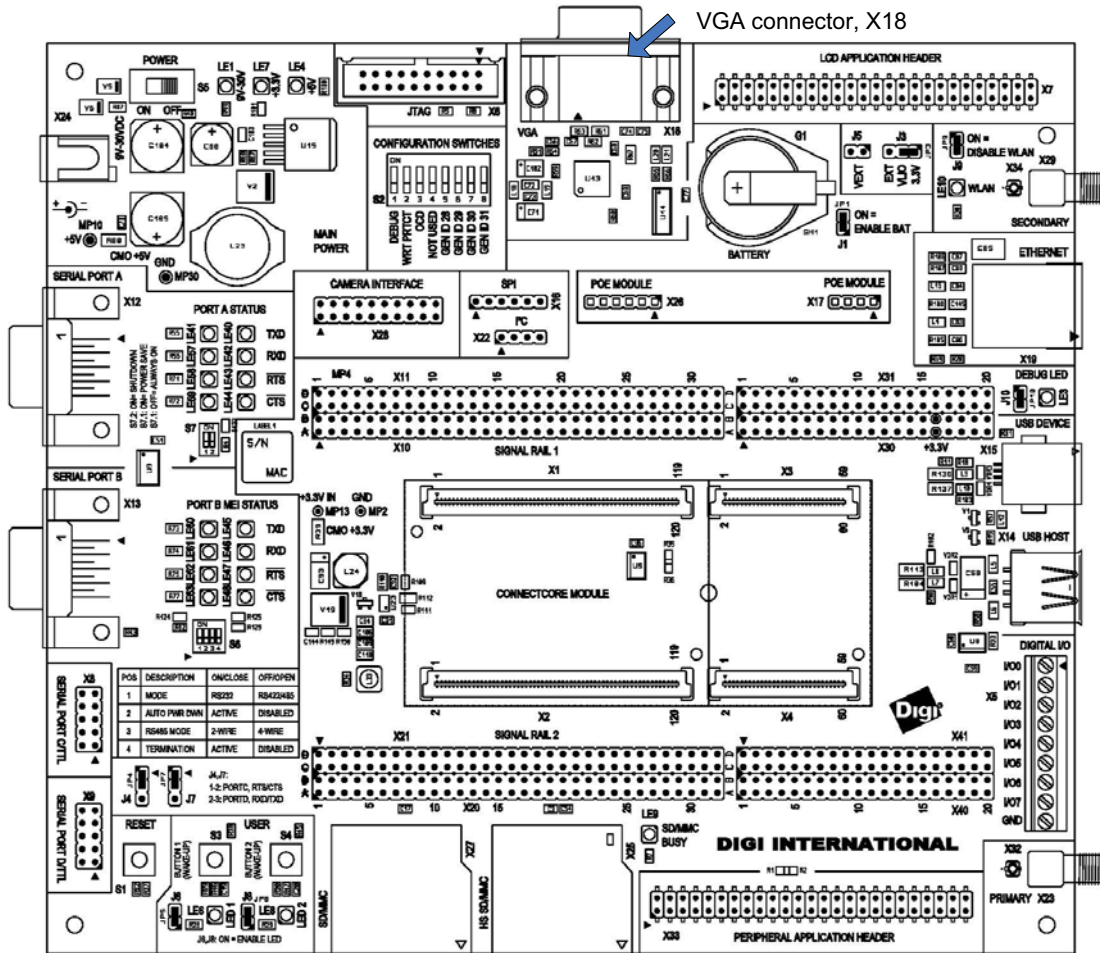
PoE connector (power out), X26

Pin	Function
1	+12V
2	+12V
3	GND
4	GND
5	POE_GND
6	POE_GND

POE_GND

The development board provides access to POE_GND allowing it to be turned off when power is provided through Power Jack X26.9 and X26.5.

VGA connector



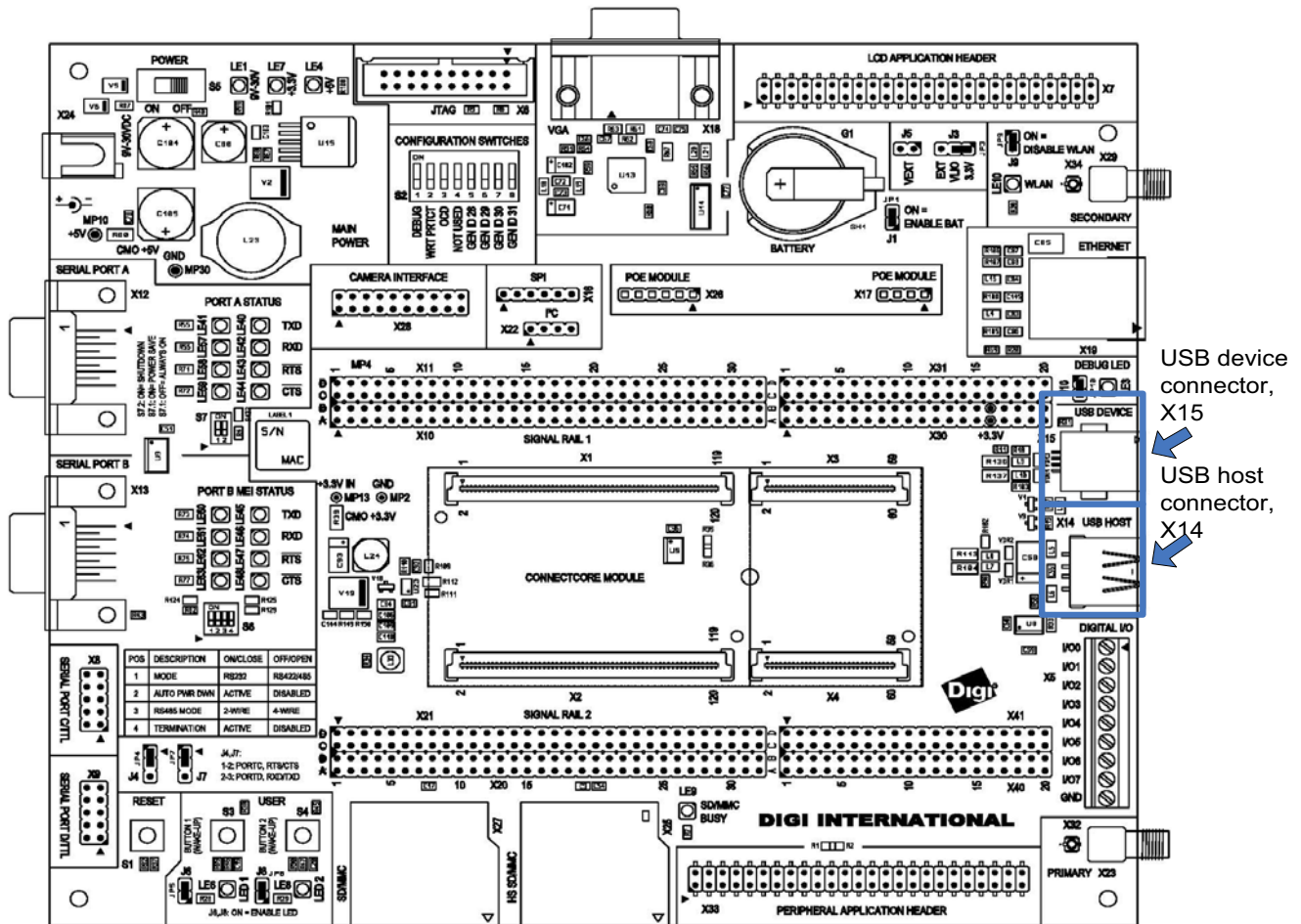
VGA connector, X18

The VGA connector is a 15-pin female connector, labeled X18.

X18 pin
assignment

Pin	Signal	Comment
1	VGA_RED	
2	VGA_GREEN	
3	VGA_BLUE	
4	NC (Monitor ID2)	Monitor ID2 is not implemented on the development board
5	GND	
6	VGA_GND (RED_RETURN)	
7	VGA_GND (GREEN_RETURN)	
8	VGA_GND (BLUE_RETURN)	
9	NC	
10	GND (SYNC_RETURN)	
11	NC (Monitor ID0)	Monitor ID0 is not implemented on the development board
12	NC	
13	HSYNC	
14	VSYNC	
15	NC	

USB connectors



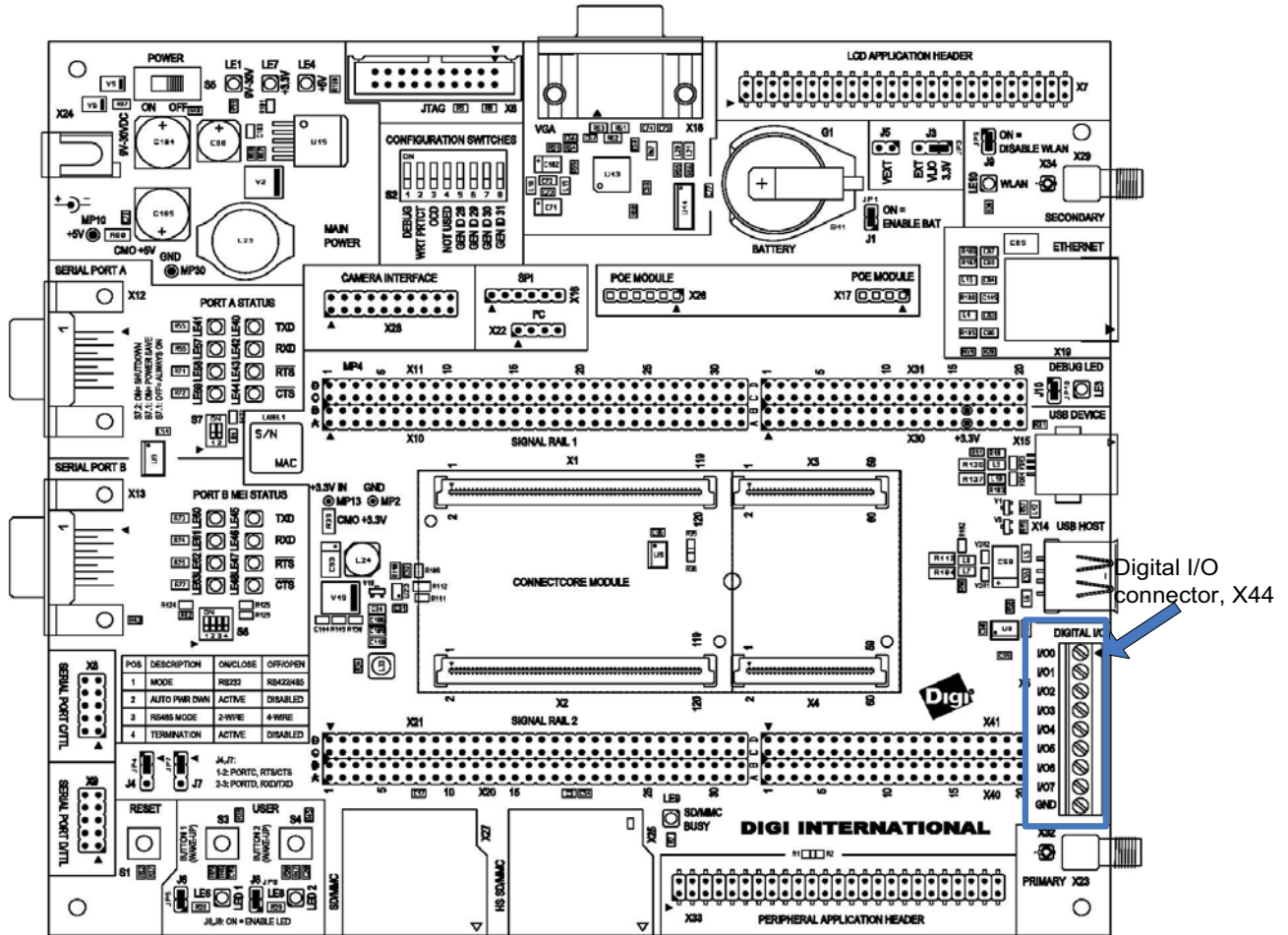
USB device connector, X15

This standard type B receptacle provides access to the module USB device interface. The module supports low, full, and high speed USB2.0 connectivity.

USB host connector, X14

This standard type A receptacle provides access to the module USB host interface. The module supports USB 2.0 device connectivity using low and full speed data rates.

Digital I/O



Manufacturer part number: BlockMaster MTS0900T

I2C digital I/O expansion, X44

The development board provides a 3.81mm (1.50”) green terminal block, X44, for additional digital I/Os. The I2C I/O port chip is on-chip ESD-protected, 5V tolerant, and provides an open drain interrupt output.

The I/O expander is a Philips PCA954D at I2C address 0x20 (bits A7..A1), or 0x40/0x41 if expressed in 8-bit format including the R/W bit at the end (bits A7..A1 + R/W bit)."

The pins are allocated as shown below:

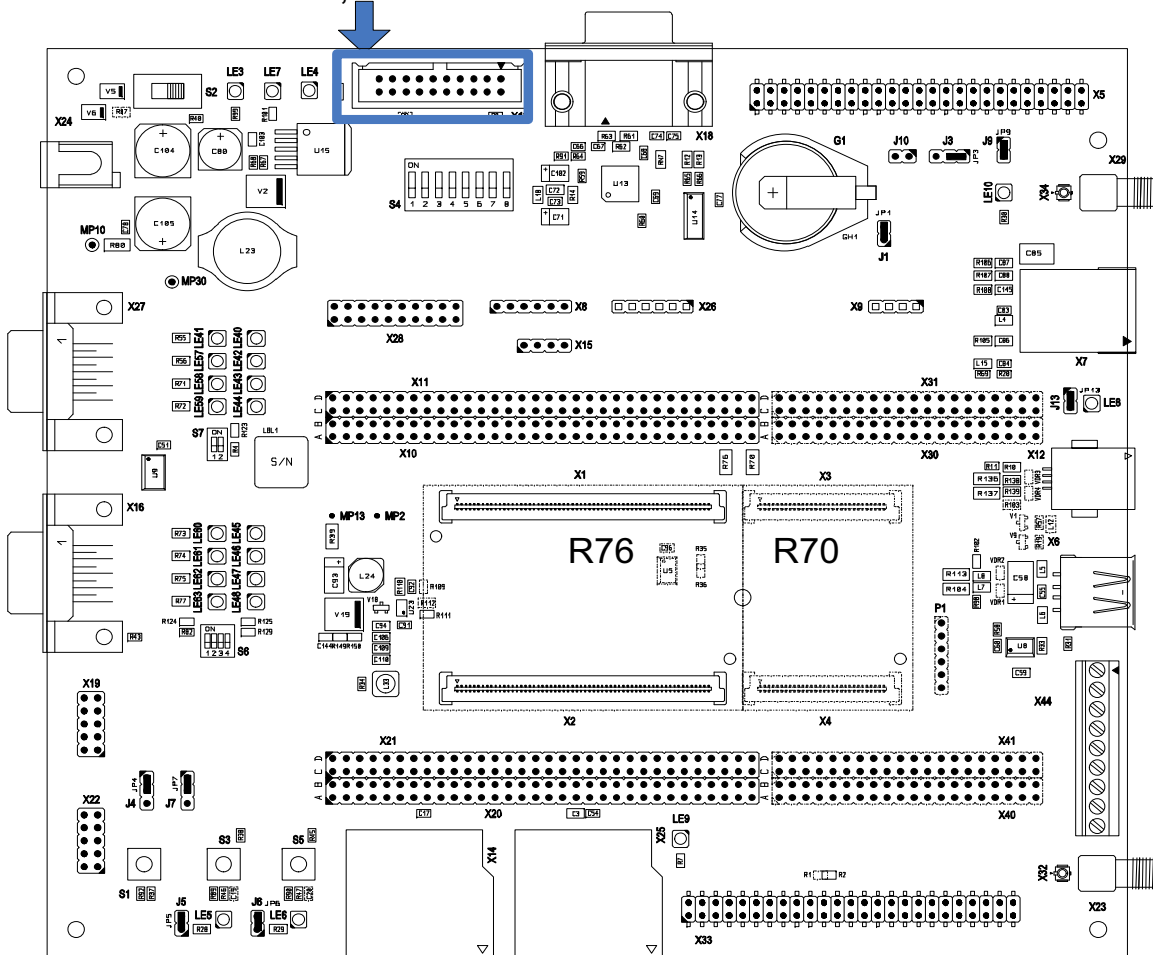
Pin	Function	Pin	Function
1	IO_0	6	IO_5



Pin	Function	Pin	Function
2	IO_1	7	IO_6
3	IO_2	8	IO_7
4	IO_3	9	GND
5	IO_4		

JTAG interface

JTAG connector, X13

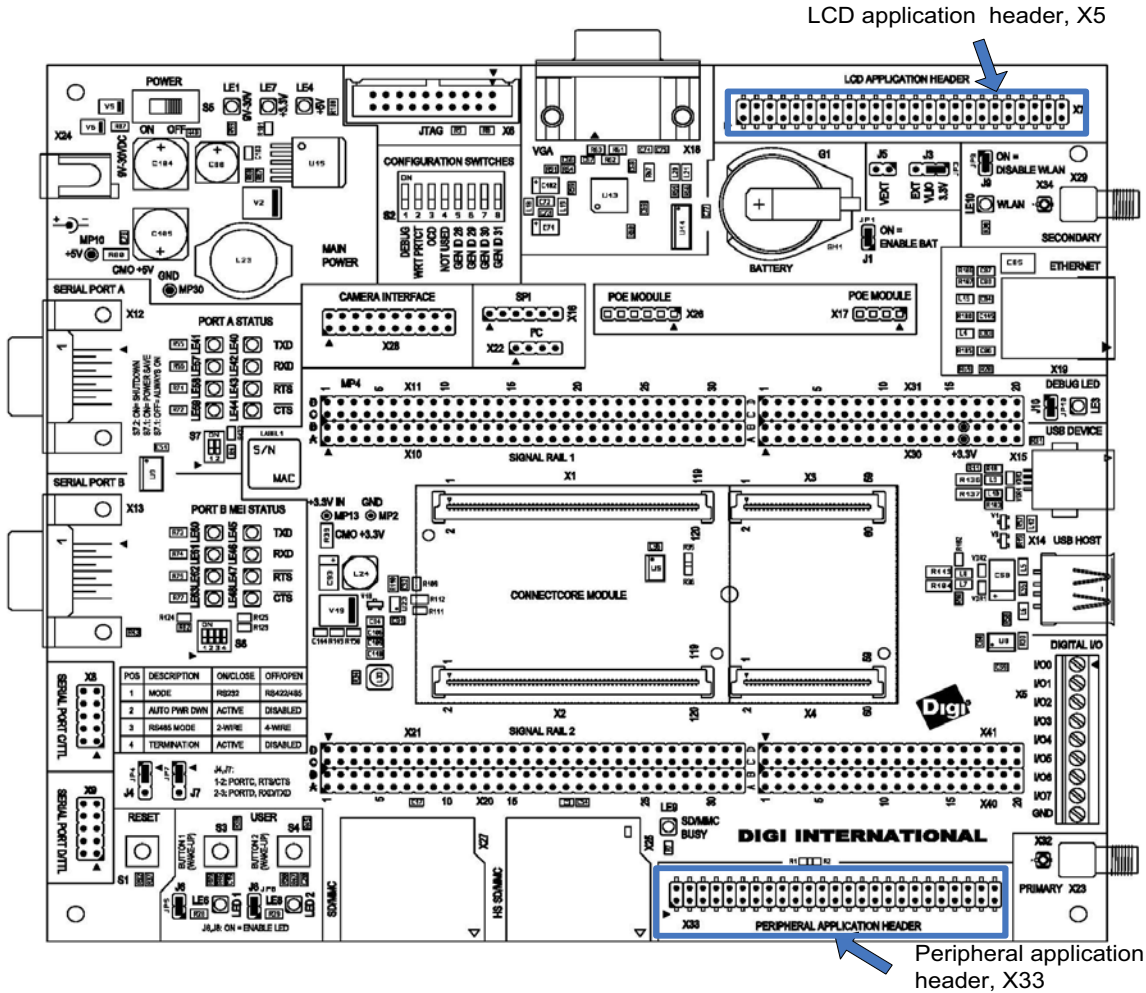


Standard JTAG ARM connector, X13

The standard JTAG ARM connector is a 20-pin header and can be used to connect development tools such as Digi JTAG Link, ARM Multi-ICE, Abatron BDI2000 and others.

Pin	Signal	Pin	Signal
1	+3.3V	2	+3.3V
3	TRST#	4	GND
5	TDI	6	GND
7	TMS	8	GND
9	TCK	10	GND
11	RTCK (optional)	12	GND
13	TDO	14	GND
15	SRESET#	16	GND
17	No connect	18	GND
19	No connect	20	GND

Peripheral (extension) headers



The development board provides two, 2x25-pin, 0.10" (2.54mm) pitch headers for supporting application-specific daughter cards/expansion boards:

- X5, LCD application header. Provides access to the LCD signals and SPI signals for touch controller purposes. Use with a Digi-provided application kit or attach your own application board.
- X33, Peripheral application header. Provides access to an 8/16 bit data bus, 8-bit address bus, and control signals (such as CE#, WE#), as well as I²C and power. Using these signals, you can connect Digi-specific extension modules or your own daughter card to the module's address/data bus.

LCD application
header, X5

Pin	Signal	Pin	Signal
1	GND	2	VD18
3	VD19	4	VD20
5	VD21	6	GND
7	VD22	8	VD23
9	VD10	10	VD11
11	GND	12	VD12
13	VD13	14	VD14
15	VD15	16	GND
17	VD21	18	VD3
19	VD4	20	VD5
21	GND	22	VD6
23	VD7	24	Reserved (LCD_D18)
25	Reserved (LCD_D19)	26	GND
27	Reserved (LCD_D20)	28	Reserved (LCD_D21)
29	I2C_SDA	30	I2C-SCL
31	GND	32	VCLK
33	VM	34	VLINE
35	VFRAME	36	EINT13
37	LCD_PWREN#	38	+3.3V
39	TSXP	40	TSYP
41	TSXM	42	TSYM
43	+3.3V	44	+3.3V
45	NC	46	NC
47	NC	48	+3.3V
49	+3.3V	50	GND

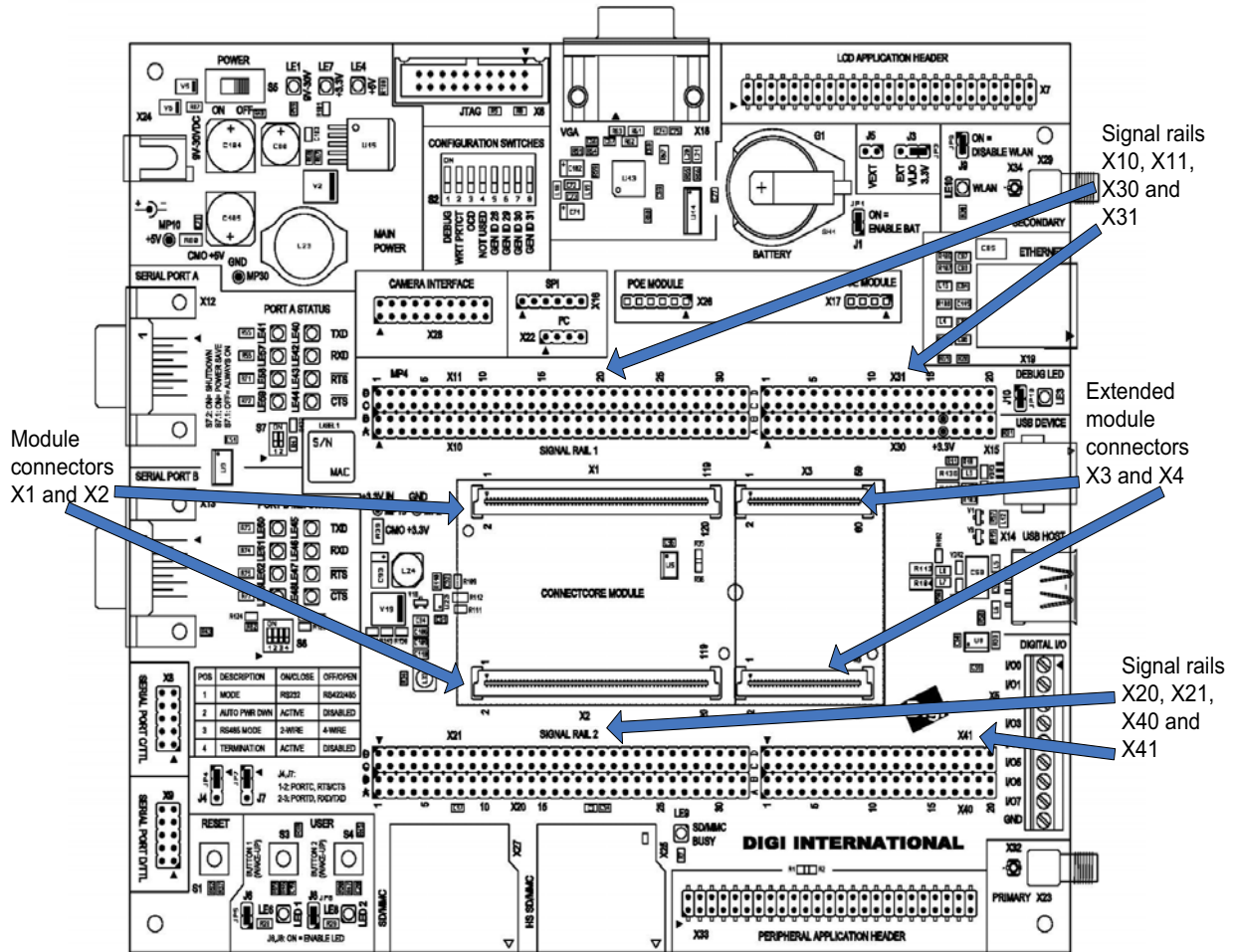


**Peripheral
application
header, X3**

3

Pin	Signal	Pin	Signal
1	GND	2	D0
3	D1	4	D2
5	D3	6	GND
7	D4	8	D5
9	D6	10	D7
11	GND	12	D8
13	D9	14	D10
15	D11	16	GND
17	D12	18	D13
19	D14	20	D15
21	GND	22	8 bit / 16 bit +3.3V selects 8-bit data bus
23	GND	24	+3.3V
25	+3.3V	26	A0
27	A1	28	A2
29	A3	30	GND
31	A4	32	A5
33	A6	34	A7
35	GND	36	A8
37	A9	38	GND
39	CS1#	40	I2C_SDA
41	WE#	42	OE#
43	I2C_SCL	44	EINT13
45	+3.3V	46	+3.3V
47	USBPO	48	USBNO
49	No comment	50	GND

Module connectors and signal rails



Signal rails

The development board provides two 4x32 pin signal rails, labeled x10/X11 and X20/X21. These connectors are 1:1 copies of the modules pins and can be used for measurement or development purposes.

- X10 and X11 correspond to module connector X1.
- X20 and X21 corresponds to module connector X2.

The development board also provides two 4x20 pin test connectors for extended footprint modules:

- X30 and X31 correspond to extended module connector X3.
- X40 and X41 correspond to extended module connector X4.



X10 pinout

Pin	Signal	Pin	Signal
A1	GND	B1	RSTIN#
A2	TCK	B2	TMS
A3	TRST#	B3	DEBUGEN#
A4	CONF4/VD1	B4	CONF4/VD8
A5	CONF7/VD17	B5	TXDO
A6	CTS0#	B6	NC
A7	RXD2	B7	RTS2#/TXD3
A8	CAMDATA0	B8	CAMDATA1
A9	CAMFDATA4	B9	CAMDATA5
A10	USB_PWREN#	B10	VBUSDET
A11	VD3	B11	VD4
A12	VD7	B12	CF_CD#
A13	VD11	B13	VD12
A14	VD15	B14	EINT14
A15	VD19	B15	VD20
A16	VD23	B16	LCD_PWREN#
A17	VLINE	B17	VCLK
A18	LCDVF1	B18	LCDVF2
A19	WLAN_DISABLE#	B19	WACT_LED#
A20	SDDATA0	B20	SDDATA1
A21	SDDATA3	B21	USERKEY1/EINT0
A22	SS1#	B22	SPIMISO1
A23	SD_WP#	B23	SD_CD#
A24	WE#	B24	WAIT#
A25	CS3#	B25	CS4#
A26	NC	B26	NC
A27	DQM2	B27	DQM3
A28	SPIMOS10	B28	SPICLK0
A29	USB_DT/PW	B29	USBP
A30	GND	B30	GND
A31	NC	B31	NC
A32	+3.3V	B32	+3.3V

X11 pinout

Pin	Signal	Pin	Signal
C1	PWRGOOD	D1	RSTOUT#
C2	TDI	D2	TDO
C3	NAND_FWP#	D3	CONF2/VD0
C4	CONF5/VD9	D4	CONF6/VD16
C5	RXD0	D5	RTS0#
C6	NC	D6	TXD2
C7	RXD2	D7	NC
C8	CTS2#/RXD3	D8	CAMDATA3
C9	CAMDATA6	D9	CAMDATA7
C10	GND	D10	VD2
C11	VD5	D11	VD6
C12	EINT11	D12	VD10
C13	VD13	D13	VD14
C14	TCLK0	D14	VD18
C15	VD21	D15	VD22
C16	VM	D16	VFRAME#
C17	LEND	D17	LCDVF0
C18	TOUT0	D18	TOUT1
C19	SDCLK	D19	SDCMD
C20	GND	D20	SDDATA2
C21	X1.83	D21	DEBUG_LED
C22	USERLED1/SPIMOS11	D22	USERLED2/SPICLK1
C23	X1.91	D23	OE#
C24	CS1#	D24	CS2#
C25	PWREN	D25	BATT_FLT#
C26	DQM0	D26	DQM1
C27	SS0#	D27	SPIMISO0
C28	I2C_SCL	D28	I2C_SDA
C29	USBN	D29	VRTC
C30	VLIO	D30	VLIO
C31	NC	D31	NC
C32	+3.3V	D32	+3.3V



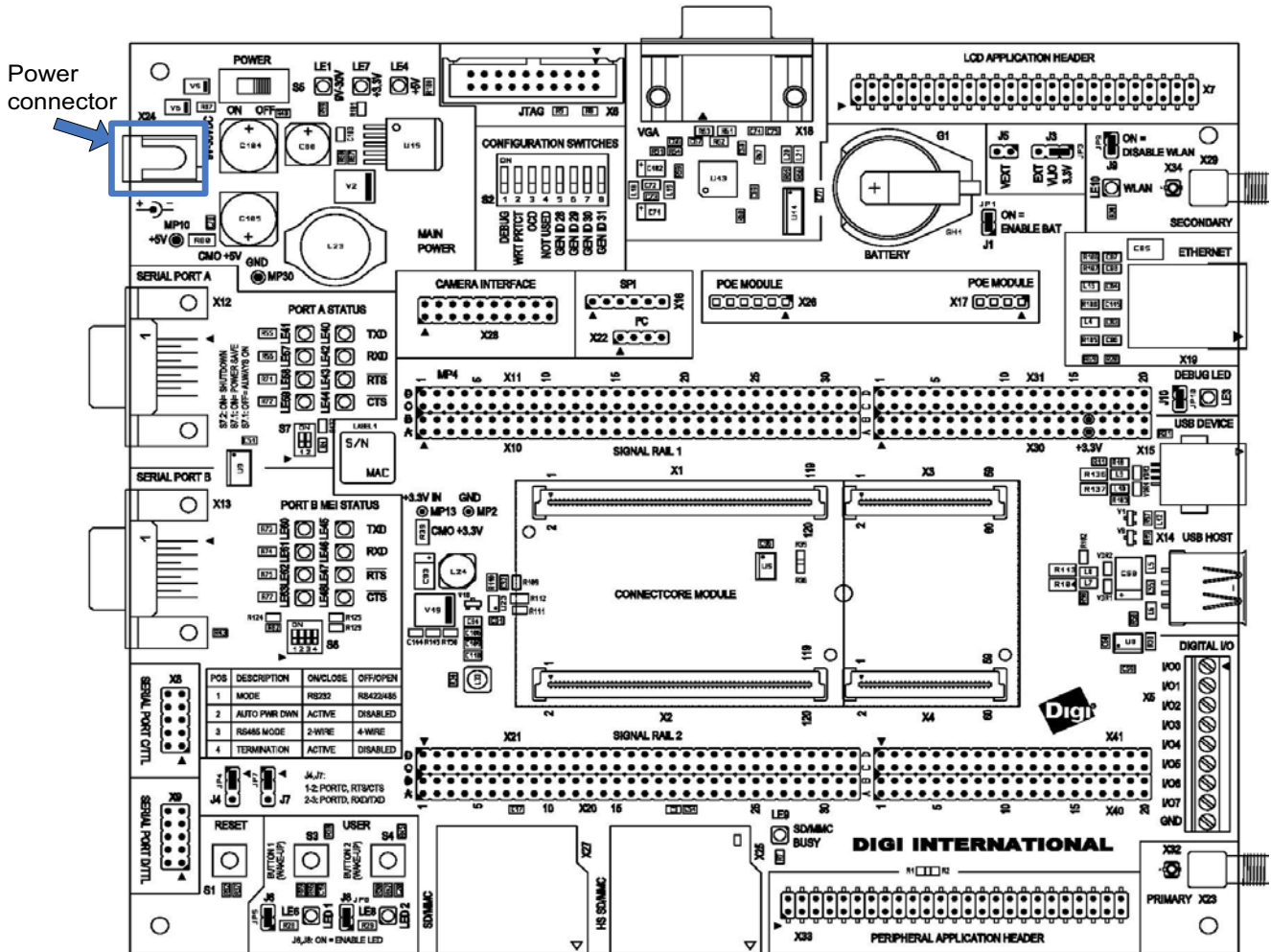
X20 pinout

Pin	Signal	Pin	Signal
A1	USBP0	B1	GND
A2	A1	B2	A2
A3	A5	B3	A6
A4	A9	B4	A10
A5	A13	B5	A14
A6	A17	B6	A18
A7	A21	B7	A22
A8	A25	B8	X2-30
A9	RXD1	B9	RTS1#
A10	XDREQ1#	B10	XDACK0#
A11	AIN4	B11	AIN5
A12	AIN2	B12	AIN3
A13	AIN8/XM	B13	AIN9/XP
A14	NC	B14	NC
A15	XBREQ#	B15	XBACK#
A16	I2SSDO/ACDO	B16	I2SSDI/ACDI
A17	I2SLRCK/AC_RESET#GPEO	B17	NC
A18	LEDSPD	B18	NC
A19	OE_CF#	B19	WE_CF#
A20	REG_CF#	B20	SDDATA1
A21	D0	B21	D1
A22	D4	B22	D5
A23	D8	B23	D9
A24	D12	B24	D13
A25	SD1_DAT0	B25	SD1_DAT1
A26	SD1_DAT4	B26	SD1_DAT5
A27	SD1_CMD	B27	SD1_CLK
A28	SD1_LED#	B28	USERKEY2/EINT6
A29	X2.113	B29	X2.114
A30	X1.117	B30	X2.118
A31	VLIO	B31	VRTC
A32	+3.3V	B32	+3.3V

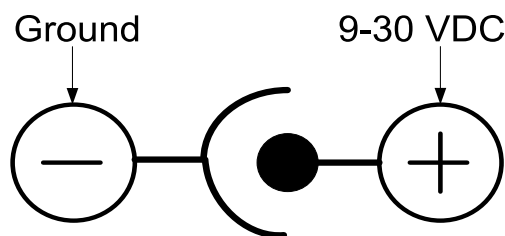
X21 pinout

Pin	Signal	Pin	Signal
C1	USBN0	D1	A0
C2	A3	D2	A4
C3	A7	D3	A8
C4	A11	D4	A12
C5	A15	D5	A16
C6	A19	D6	A20
C7	A23	D7	A24
C8	NC	D8	TXD1
C9	CTS1#	D9	XDREQ0#
C10	XDACK1#	D10	GND
C11	AIN0	D11	AIN1
C12	AIN6YM	D12	AIN7/YP
C13	AVCC	D13	AGND
C14	NC	D14	NC
C15	USBHOPEN	D15	PME
C16	I2SCDCLK/AC_BIT_CLK	D16	I2SSCLK/AC_SYNC/GPE1
C17	LEDLNK	D17	NC
C18	FULLED#	D18	NC
C19	IREQ_CF#	D19	INPACK_CF#
C20	CF_PWEN	D20	GND
C21	D2	D21	D3
C22	D6	D22	D7
C23	D10	D23	D11
C24	D14	D24	D15
C25	SDI_DAT2	D25	SD1_DAT3
C26	SD1_DAT6	D26	SD1_DAT7
C27	SD1_WP#	D27	SD1_CD#
C28	EINT13	D28	X2.112
C29	X2.115	D29	CLKOUT1
C30	BCLKOUT0	D30	GND
C31	GND	D31	GND
C32	+3.3V	D32	+3.3V

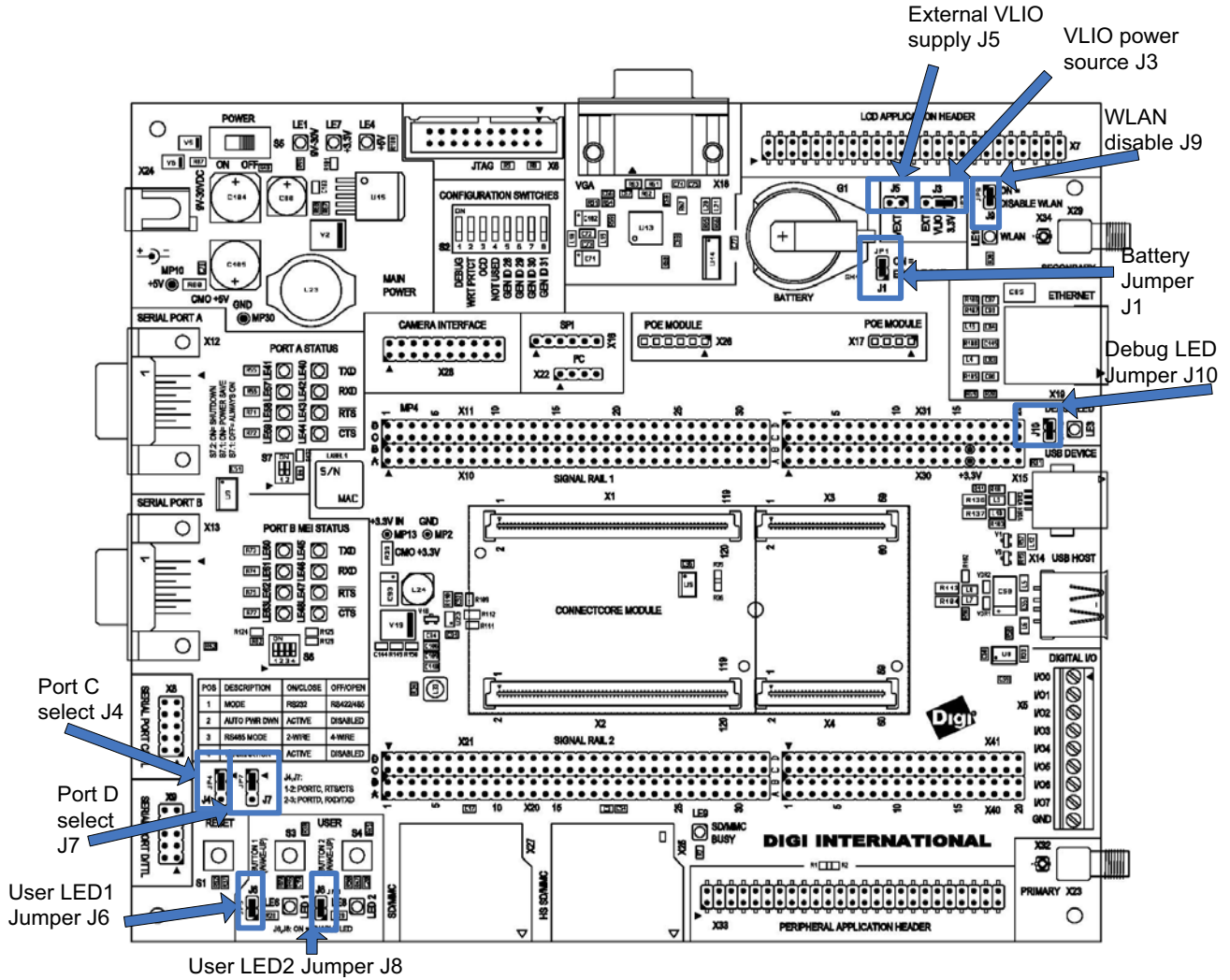
Power connector



The power connector is a barrel connector with a 9-30VDC operating range. The power jack is labeled X24 on the development board. The figure below represents the power jack polarity.



Jumpers

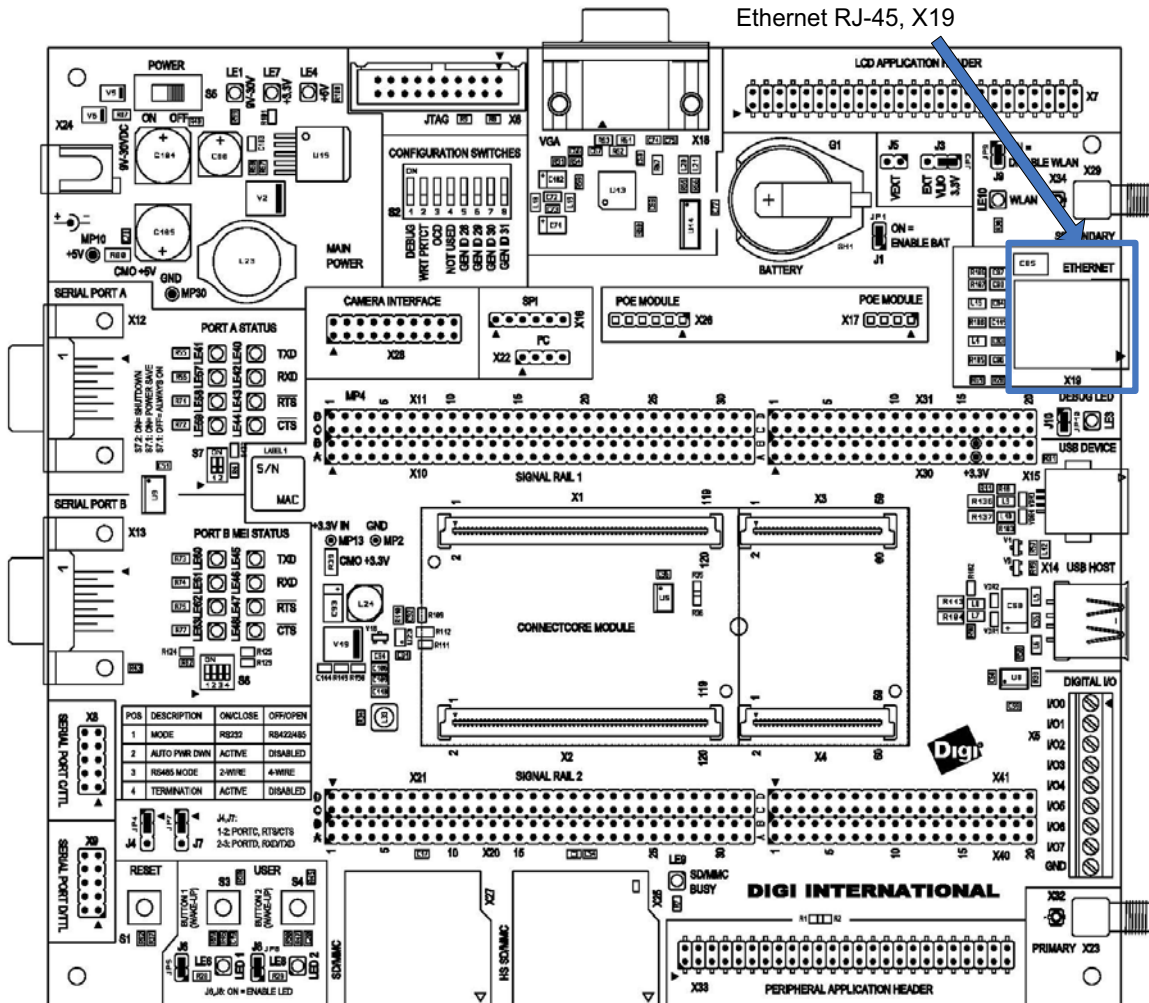




Jumpers

Jumper	Name	Description	Settings
J1	Battery Enable	Supplies the real time clock with 3V backup power from the battery (lithium coin cell battery, G1) if the board is switched off.	Closed = Backup battery enabled Open = Backup battery disabled
J3	VLIO select	Select VLIO power source (+3.3V or VEXT JT)	Pin2-3 closed VLIO = on board 3.3V Pin1-2 closed VLIO = power connected to J10
J4	Port C/D select RTS2/TXD3	Select RTS2 PortC or TXD3 PortD	Pin1-2 closed= RTS2 Pin2-3 closed =TXD3
J5	VEXT	External power	Connector for external accumulator. Pin1 = GND Pin2 = VLIO
J6	User LED1	User LED1 enable / disable	Closed = User LED1 enabled
J7	Port C/D select CTS2/RXD3	Select CTS2 PortC or RXD3 Port D	Pin1-2 closed = CTS2 Pin2-3 closed = RXD3
J8	User LED2	User LED2 enable / disable	Closed = UserLED2 enabled
J9	WLAN_DISABLE#	Disables the WLAN interface on the module (if present)	Closed = WLAN disabled Open = WLAN enabled
J13	Debug LED	Debug LED enable / disable	Closed = Debug LED enabled Open = Debug LED disabled

Ethernet interface



The module provides the 10/100 Ethernet MAC and PHY chip. The development board provides the 1:1 transformer and Ethernet connector.

The Ethernet connector is an 8-wire RJ-45 jack, labeled X19, on the development board. The connector has eight interface pins, as well as two integrated LEDs that provide link status and network activity information.



RJ-45 pin allocation, X7

RJ-45 connector pins are configured as shown:

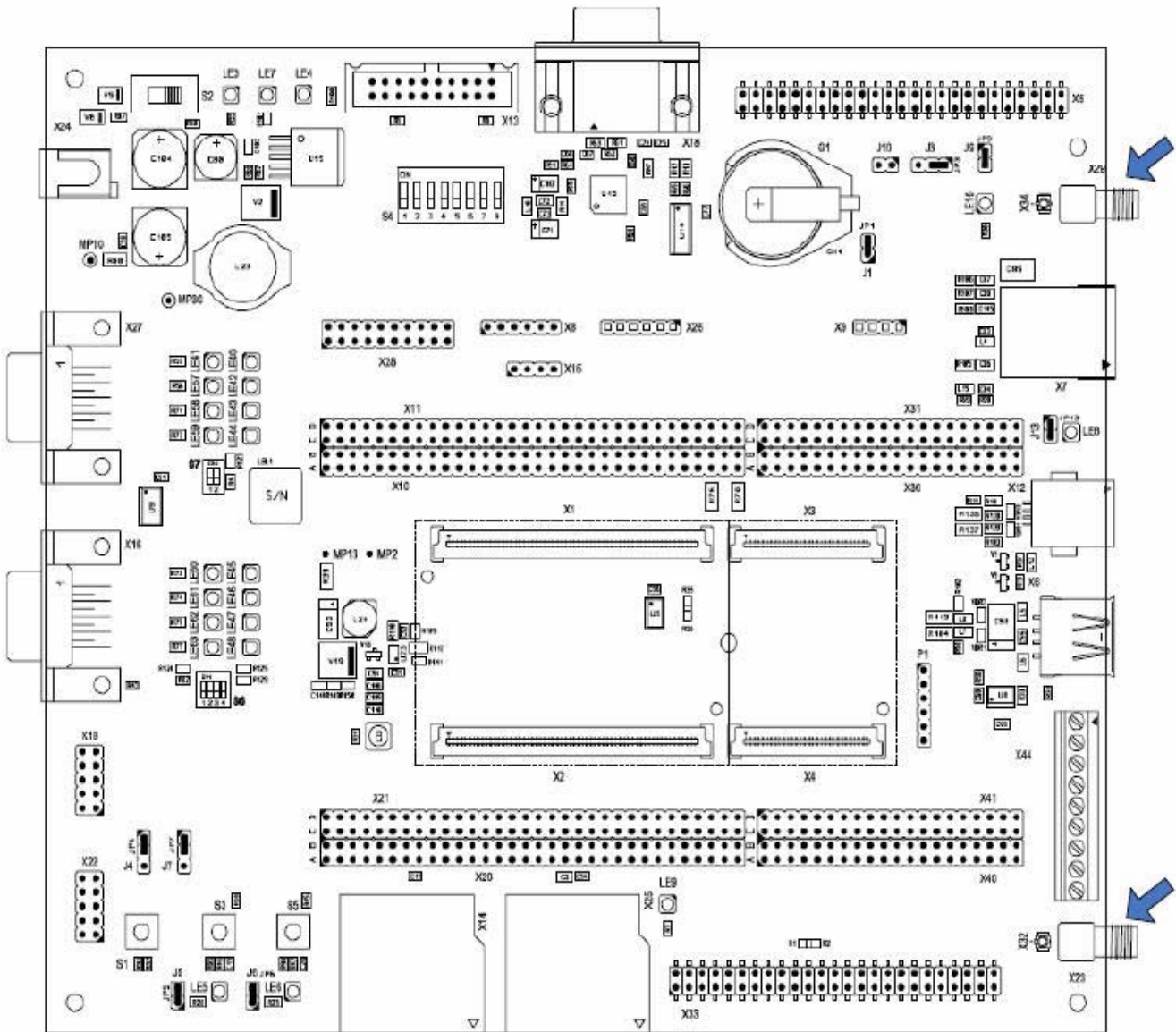
Pin	Signal	802.3af End-Span (mode A)	802.3af Mid-Span (Mode B)	Description
1	TXD+	Negative V_{Port}		Transmit data +
2	TXD-	Negative V_{Port}		Transmit data -
3	RXD+	Positive V_{Port}		Receive data +
4	EPWR+		Positive V_{Port}	Power from switch
5	EPWR+		Positive V_{Port}	Power from switch +
6	RXD-	Positive V_{Port}		Receive data -
7	EPWR		Negative V_{Port}	Power from switch -
8	EPWR		Negative V_{Port}	Power from switch -

LED	Description
Yellow	Network activity (speed): -Flash indicates network traffic detected -Off indicates no network traffic detected
Green	Network link: -On indicates an active network link -Off indicates no network link is present

Pin	Name	DeComment
1	+3.3V	Power
2	GND	
3	CMDATA0	camera data
4	CMDATA1	camera data
5	CMDATA2	camera data
6	CMDATA3	camera data
7	CMDATA4	camera data
8	CMDATA5	camera data
9	CMDATA6	camera data
10	CMDATA7	camera data
11	CAMCLKOUT	Master clock to the camera processor
12	CAMPCLK	Pixel clock driven by the camera processor
13	CAM_HREF	Horizontal sync driven by camera processor
14	CAMVSUNC	Frame sync driven by camera processor
15	I2C_SCL	I2C bus for initialization
16	I2C_SDA	I2C bus for initialization
17	XDACK0#	GPIO (not used)
18	CAMRESET	Reset to the camera processor
19	GND	
20	+5V	Power (not used)

WLAN Interface

For the ConnectCore Wi-9M 2443, attach the antenna to the primary connector [X23] and the secondary connector [X34] on the development board. See figure below.



Interfaces without special connectors

ADC Signals	ADC signals are accessible on the signal rails (no dedicated connector).
CF Signals	Compact Flash signals are accessible on the signal rails (no dedicated connector).
I2S/AC97 Signals	Audio I2S/AC97 signals are accessible on the signal rails (no dedicated connector).
SPI1 Signals	The standard speed SPI1 signals are accessible on the signal rails (no dedicated connector).

ADC signals

Signal name	Signal rail
AIN0	X21 C11
AIN1	X21 D11
AIN2	X20 A12
AIN3	X20 B12
AIN4	X20 A11
AIN5	X20 B11
AIN6/YM	X21 C12
AIN7/YP	X21 D12
AIN8/XM	X20 A13
AIN9/XP	X210 B13

CF signals

Signal name	Signal rail
CF_OE#	X20 A19
CF_WE#	X20 B19
CF_IREQ#	X21 C19
CF_INPACK#	X21 D19
CF_PWEN#	X21 C20
CF_REG#	X20 A20
CF_RESET#	X20 B20



I2S/AC97 signals

Signal name	Signal rail
I2SLRCK/AC_RESET#	X20 A17
I2SSCLK/AC_SYNC	X21 D16
I2SCDCLK/AC_BIT_CLK	X21 C16
I2SSDI/ACDI	X20 B16
I2SSDO/ACDO	X20 A16

SPI1 signal

Signal name	Signal rail
SPIMOSI1	X21 D28
SPIMISO1	X20 B28
SPICLK1	X21 C28
SS1#	X21 C29

An expansion board is available for the ADC, CF, I2S/AC97, and SPI1 signals above.

Module and test connectors

X1 pinout

The ConnectCore 9M 2443 module plugs into the module connectors X1 and X2 on the development board. AI = Analog Input

I = Input

O = Output

I/O = Input or Output

P = Power

REF = Analog Reference Voltage

X1	Type	U-Boot	Module Functionality	Comments	Usage on development board
1	P	-	GND		GND
2	I	-	RSTIN#	Reset input, i.e Push Button on the module this signal is the input to a reset controller. Pull-up 10k to +3.3V already on module.	Push button with 10k pull-up
3	I/O	-	PWRGOOD	Output of the reset controller push pull with 470R current limiting resistor	
4	O	-	RSTOUT#	Output of CPU. Softw + Wdt + rstin#	
5	I	-	TCK	JTAG, Pull-up 10k to +3.3V on module	"JTAG connector X13
6	I	-	TMS	JTAG, Pull-up 10k to +3.3V on module	"JTAG connector X13
7	I	-	TDI	JTAG, Pull-up 10k to +3.3V on module	"JTAG connector X13
8	O	-	TDO	JTAG, Pull-up 10k to +3.3V on module	"JTAG connector X13



X1	Type	U-Boot	Module Functionality	Comments	Usage on development board
9	I	-	TRST#	JTAG, Pull-up 10k to +3.3V on module	"JTAG connector X13
10	I	-	CONF0# DEBUGEN#	Debug enable, Pull-up 10k to +3.3V on module 0 = Debug enabled, TRST# isolated from PWRGOOD	Connected to DIP-switch S2.1 ON: connected to GND
11	I	-	CONF1 NAND_FWP#	NAND Flash Write Protect, Pull-up 10k to +3.3V on module 0 = NAND Flash write protected	Connected to DIP-switch S4.2 ON: connected to GND
12	I	I-	CONF2 VD0 GPC8	Pull-up 10k to +3.3V on module	Connected to DIP-switch S4.3 ON: connected to GND
13	I	I	CONF3 VD1 GPC9	Reserved, do not connect, Pull-up 10k to +3.3V on module	Connected to DIP-switch S4.4 ON: connected to GND
14	I/O	I	CONF4 VD8 GPD0	Pull-up 10k to +3.3V on module	Connected to DIP-switch S4.5 ON: connected to GND
15	I/O	I	CONF5 VD9 GPD1	Pull-up 10k to +3.3V on module	Connected to DIP-switch S4.6 ON: connected to GND
16	I/O	I	CONF6 VD16 GPD8	Pull-up 10k to +3.3V on module	Connected to DIP-switch S4.7 ON: connected to GND
17	I/O	I	CONF7 VD17 GPD9	Pull-up 10k to +3.3V on module	Connected to DIP-switch S4.8 ON: connected to GND
18	I/O	TxD0	TxD0 GPH0	Configured to TxD0	Connected via RS232 driver to COMA, X27
19	I/O	RxD0	RxD0 GPH1	Configured to RxD0	Connected via RS232 driver to COMA, X27
20	I/O	RTS0#	RTS0# GPH9	Configured to RTS0#	Connected via RS232 driver to COMA, X27
21	I/O	CTS0#	CTS0# GPH8	Configured to CTS0#	Connected via RS232 driver to COMA, X27

X1	Type	U-Boot	Module Functionality	Comments	Usage on development board
22	I/O	CAMPCLK	CAMPCLK GPJ8	Pixel clock, driven by the camera processor, input with pull-up enabled	Connected to X28
23	I/O	CAM_HREF	CAM_HREF GPJ10	Horizontal Sync, driven by the camera processor, input with pull-up enabled	Connected to X28
24	I/O	TxD2	TxD2 GPH4	Configured to TxD2	TxD2 connected to COMC, X19
25	I/O	RxD2	RxD2 GPH5	Configured to RxD2	TxD2 connected to COMC, X19
26	I/O	RTS2#	RTS2# GPH6 TxD3	Configured to RTS2#, could also be used as TxD3	Connected to J4
27	I/O	CTS2#	CTS2# GPH7 RxD3	Configured to CTS2#, could also be used as RxD3	Connected to J7
28	I/O	CAMVSYNC	CAMVSYNC GPJ9	Frame Sync, driven by the camera processor, input with pull-up enabled	Connected to X28
29	I/O	CAMDATA0	CAMDATA0 GPJ0	Pixel Data driven by camera processor, input with pull-up enabled	Connected to X28
30	I/O	CAMDATA1	CAMDATA1 GPJ1	Pixel data driven by the camera processor, input with pull-up enabled	Connected to X28
31	I/O	CAMDATA2	CAMDATA2 GPJ2	Pixel data driven by the camera processor, input with pull-up enabled	Connected to X28
32	I/O	CAMDATA3	CAMDATA3 GPJ3	Pixel data driven by the camera processor, input with pull-up enabled	Connected to X28



X1	Type	U-Boot	Module Functionality	Comments	Usage on development board
33	I/O	CAMDATA4	CAMDATA4 GPJ4	Pixel data driven by the camera processor, input with pull-up enabled	Connected to X28
34	I/O	CAMDATA5	CAMDATA5 GPJ5	Pixel data driven by the camera processor, input with pull-up enabled	Connected to X28
35	I/O	CAMDATA6	CAMDATA6 GPJ6	Pixel data driven by the camera processor, input with pull-up enabled	Connected to X28
36	I/O	CAMDATA7	CAMDATA7 GPJ7	Pixel data driven by the camera processor, input with pull-up enabled	Connected to X28
37	O	USB_PWREN#	USB_PWREN# GPA14	Configured as output, pull-up enabled	Switch the 5V of the USB host connector X6
38	I	VBUSDET	VBUSDET GPF5 EINT5	Configured as input, pull-up/interrupt enabled	Monitors the connection of a USB host (5V applied) at X12
39	P	P	GND		GND
40	I/O	VD2	VD2 GPC10	Configured as output, pull-up enabled	Connected to LCD Application Header X5
41	I/O	VD3	VD3 GPC11	Configured as output, pull-up enabled	Connected to LCD Application Header X5
42	I/O	VD4	VD4 GPC12	Configured as output, pull-up enabled	Connected to LCD Application Header X5
43	I/O	VD5	VD5 GPC13	Configured as output, pull-up enabled	Connected to LCD Application Header X5
44	I/O	VD6	VD6 GPC14	Configured as output, pull-up enabled	Connected to LCD Application Header X5
45	I/O	VD7	VD7 GPC15	Configured as output, pull-up enabled	Connected to LCD Application Header X5

X1	Type	U-Boot	Module Functionality	Comments	Usage on development board
46	I	CF_CD#	CF_CD# GPG10 EINT18	Configured as input, pull-up/interrupt disabled	Card detect CF_CD when Add on Board is applied
47	-	I	GPG3 EINT11	Configured as input, pull-up/interrupt disabled	Not used, connected to X11;C12
48	I/O	VD10	VD10 GPD2	Configured as output, pull-up enabled	Connected to LCD Application Header X5
49	I/O	VD11	VD11 GPD3	Configured as output, pull-up enabled	Connected to LCD Application Header X5
50	I/O	VD12	VD12 GPD4	Configured as output, pull-up enabled	Connected to LCD Application Header X5
51	I/O	VD13	VD13 GPD5	Configured as output, pull-up enabled	Connected to LCD Application Header X5
52	I/O	VD14	VD14 GPD6	Configured as output, pull-up enabled	Connected to LCD Application Header X5
53	I/O	VD15	VD15 GPD7	Configured as output, pull-up enabled	Connected to LCD Application Header X5
54	I	-	GPG6 EINT14	Configured as input, pull-up enabled	Not used, connected to X10;B14
55	I	-	GPB4 TCLK0	Configured as input	Not used, connected to X11;C14
56	I/O	VD18	GPB4 TCLK0	Configured as output, pull-up enabled	Connected to LCD Application Header X5
57	I/O	VD19	VD19 GPD11	Configured as output, pull-up enabled	Connected to LCD Application Header X5
58	I/O	VD20	VD20 GPD12	Configured as output, pull-up enabled	Connected to LCD Application Header X5
59	I/O	VD21	VD21 GPD13	Configured as output, pull-up enabled	Connected to LCD Application Header X5



X1	Type	U-Boot	Module Functionality	Comments	Usage on development board
60	I/O	VD22	VD22 GPD14	Configured as output, pull-up enabled	Connected to LCD Application Header X5
61	I/O	VD23	VD23 GPD15	Configured as output, pull-up enabled	Connected to LCD Application Header X5
62	I/O	LCD_PWREN	LCD_PWREN GPC4 EINT12	Configured as output, pull-up disabled	Connected to LCD Application Header X5
63	I/O	VM	VM GPC4	Configured as output, pull-up disabled	Connected to LCD Application Header X5
64	I/O	VFRAME	VFRAME GPC3	Configured as output, pull-up disabled	Connected to LCD Application Header X5
65	I/O	VLIN E	VLIN E GPC2	Configured as output, pull-up disabled	Connected to LCD Application Header X5
66	I/O	VCLK	VCLK	Configured as output, pull-up disabled	Connected to LCD Application Header X5
67	I/O	LEND	LEND GPC0	Configured as input, pull-up enabled	Not used
68	I/O	LCD_LPCOE	LCD-VFO GPC5	Configured as output, pull-up disabled	Connected to LCD Application Header X5
69	I/O	LCD_LPCREV	LCD_VF1 GPC6	Configured as output, pull-up disabled	Connected to LCD Application Header X5
70	I/O	LCD_LPCREVB	LCD_VF2 GPC7	Configured as output, pull-up disabled	Connected to LCD Application Header X5
71	I/O	TOUT0	TOUT0 GPB0	Configured as output, pull-up disabled	Not used, connected to X11;C18
72	I/O	TOUT1	TOUT1 GPB1	Configured as output, pull-up disabled	Not used, connected to X11;D18
73	-	-	WLAN_DISABL E#	Reserved for CCW9M2443	Connected to Jumper J9 (set=disabled)
74	-	-	WACT_LED#	Reserved for CCW9M2443	Connected to LE10(low=on)

X1	Type	U-Boot	Module Functionality	Comments	Usage on development board
75	I/O	SDCLK	SD0CLK GPE5	SD0 card detect	Connected to SD connector X14
76	I/O	SD0CMD/GPE6	SDCMD/GPE6	10k pull-up on base board	Connected to SD connector X14
77	I/O	SDDATA0	SD0DATA0 GPE7	10k pull-up on base board	Connected to SD connector X14
78	I/O	SDDATA1	SD0DATA1 GPE8	10k pull-up on base board	Connected to SD connector X14
79	P	-	GND		GND
80	I/O	SDDATA2	SD0DATA2 GPE9	10k pull-up on base board	Connected to SD connector X14
81	I/O	SDDATA3	SD0DATA3 GPE10	10k pull-up on base board	Connected to SD connector X14
82	I/O	EINT0 GPF0	EINT0/GPF0	Configured as input, pull-up disabled	Connected to User Key 1
83	-	-	NC		Connected to X11;C21
84	I/O	TOUT2	TOUT2 GPB2	DEBUG LED	Connected to JP13 (open=NC)
85	I/O	SS1#	GPL14 SS1#	Configured as input, pull-up enabled	Connected to X10;A22
86	I/O	SPIMISO1	GPL12 SPIMISO1	Configured as input, pull-up enabled	Connected to X10;B22
87	I/O	SPIMOSI1	USERLED1 SPIMOSI1 GPL11	Configured as output, pull-up enabled	Connected to USERLED1
88	I/O	O	USERLED2 SPICLK1 GPL10	Configured as output, pull-up enabled	Connected to USERLED2
89	I/O	SD_WP#	EINT17 GPG9	Configured as input, pull-up disabled Write protect	Connected to SD connector X14



X1	Type	U-Boot	Module Functionality	Comments	Usage on development board
90	I/O	SD_CD#	EINT1/GPF1	Configured as input, pull-up disabled Card detect	Connected to X14
91	-	-	NC		Connected to X11;C23
92	O	ROE#	OE#	22R series resistor on module	Connected to X33 Peripheral Application Header
93	O	RWE#	WE#	22R series resistor on module	Connected to X33 Peripheral Application Header
94	I	WAIT#	WAIT#	Pullup 5k to +3.3V on module	Not used
95	I/O	RCS1#	RCS1#	Chip select, not used on module, 22R series resistor on module. Defaults to Output/High at reset	Connected to X33 Peripheral Application Header
96	I/O	RCS2#	RCS2#	Chip select, not used on module, 22R series resistor on module. Defaults to Output/High at reset	Not used
97	I/O	RCS3#	RCS3#	Chip select, not used on module, 22R series resistor on module, defaults to Output/High at reset	Not used
98	I/O	RCS4#	RCS4#	Chip select, used on CCW9M2443 module for wireless LAN.	Not used
99	O	-	PWREN	1.3V power control signal 0 = Power for unneeded parts is switched off Must be left unconnected if not used	Connected to CPLD

X1	Type	U-Boot	Module Functionality	Comments	Usage on development board
100	I	-	BATT_FLT#	Battery fault Pull-up 10k to +3.3V on module, can be left unconnected.	Not used
101	I/O	CAMCLKOUT	CAMPCLKOUT GPJ11	Master clock to the camera processor output with pull-up enabled	Connected to X28
102	I/O	CAMRESET	CAMRESET GPJ12	Software reset or power down to the camera processor output with pull-up enabled	Connected to X28
103	O	-	RBE0#	Upper Byte/Lower Byte Enable	Not used
104	O	-	RBE1#		Not used
105	O	-			Not used
106	O	-			Not used
107	I/O	SS0#	SS0#GPL13	SPI0, pull-up enabled	Connected to X8 SPI connector
108	I/O	SPIMISO0	SPIMISO0 GPE11	Pull-up enabled	Connected to X8 SPI connector
109	I/O	SPIMOS10	SPIMOS10 GPE12	Pull-up enabled	Connected to X8 SPI connector
110	I/O	SPICLK0	SPICLK0 GPE13	Pull-up disabled	Connected to X8 SPI connector
111	I/O	IIC_SCL	IIC_SCL GPE14	I ² C clock, pullup 4k7 to 3.3V on module	Connected to X33, X28, X15, U5, U7
112	I/O	IIC_SDA	IIC_SDA GPE15	I ² C clock, pullup 4k7 to 3.3V on module	Connected to X33, X28, X15, U5, U7
113	I/O	O	USB_DT/PW GPG0 EINT8	Default GPG0 input.	Optional output to switch on 1k5 pull-up resistor for USB device (CC9M2440 compatibility)
114	I/O	USBP	DP_UDEV	USB device	USB device data line + connected to X12



X1	Type	U-Boot	Module Functionality	Comments	Usage on development board
115	I/O	USBN	DN_UDEV	USB device	USB device data line - connected to X12
116	P	-	VRTC	Backup battery for RTC, for 3V cell, power-switch-over is on the module. Can be left floating, if RTC backup is not needed.	3V battery connected
117	P	-	GND		GND
118	P	-	+3.3V		+3.3V
119	P	-	VLIO	Mobile: Power from Li-Ion Battery Non-Mobile: connected to 3.3V	Delivers either power from Li-Ion battery or 3.3V
120	P	-	+3.3V		+3.3V

X2 pinout

AI = Analog Input

I = Input

O = Output

I/O = Input or Output

P = Power

REF = Analog Reference Voltage

X2	Type	U-Boot	Module Functionality	Comments	Usage on development board
1	I/O	USBP0	USBP0	USB host0, 22R series resistor has to be mounted on base board.	USB host data line +, connected to X6
2	P	-	GND		GND
3	I/O	USBN0	USBN0	USB host0, 22R series resistor has to be mounted on base board.	USB host data line -, connected to X6
4	O	A0	RADDR0 GPA0	Used as address of ETH-Contr. on module. Should not be used as I/O pin for compatibility.	Connected to X33 Peripheral Application header
5	O	A1	RADDR1	Used as address of ETH-Contr. on module.	Connected to X33 Peripheral Application header
6	O	A2	RADDR2	Used as address of ETH-Contr. on module and WM500ABG.	Connected to X33 Peripheral Application header
7	O	A3	RADDR3	Used as address of ETH-Contr. on module and WM500ABG.	Connected to X33 Peripheral Application header
8	O	A4	RADDR4	Used as address of ETH-Contr. on module and WM500ABG.	Connected to X33 Peripheral Application header
9	O	A5	RADDR5	Used as address of ETH-Contr. on module and WM500ABG.	Connected to X33 Peripheral Application header
10	O	A6	RADDR6	Used as address of ETH-Contr. on module and WM500ABG.	Connected to X33 Peripheral Application header
11	O	A7	RADDR7	Used as address of WM500ABG.	Connected to X33 Peripheral Application header
12	O	A8	RADDR8		Connected to X33 Peripheral Application header
13	O	A9	RADDR9		Connected to X33 Peripheral Application header
14	O	A10	RADDR10		Not used
15	O	A11	RADDR11		Not used
16	O	A12	RADDR12		Not used



X2	Type	U-Boot	Module Functionality	Comments	Usage on development board
17	O	A13	RADDR13		Not used
18	O	A14	RADDR14	Used as address of ETH-Contr. on module	Not used
19	O	A15	RADDR15	Not used	Not used
20	O	A16	RADDR16 GPA1	should not be used as I/O pin for compatibility	Not used
21	O	A17	RADDR17 GPA2	should not be used as I/O pin for compatibility	Not used
22	O	A18	RADDR18 GPA3	should not be used as I/O pin for compatibility	Not used
23	O	A19	RADDR19 GPA4	should not be used as I/O pin for compatibility	Not used
24	O	A20	RADDR20 GPA5	should not be used as I/O pin for compatibility	Not used
25	O	A21	RADDR21 GPA6	should not be used as I/O pin for compatibility	Not used
26	O	A22	RADDR22 GPA7	should not be used as I/O pin for compatibility	Not used
27	O	A23	RADDR23 GPA8	should not be used as I/O pin for compatibility	Not used
28	O	A24	RADDR24 GPA9	should not be used as I/O pin for compatibility	Not used
29	O	A25	RADDR25 GPA10	should not be used as I/O pin for compatibility	Not used
30	O	-		Pull down	Not used
31	-	RXD1	RXD1 GPH3	PortB RxD	Connected to PortB MEI
32	-	TXD1	TXD1 GPH2	PortB TxD	Connected to PortB MEI
33	-	CTS1#	CTS1# GPH10	Port CTS	Connected to PortB MEI
34	-	RTS1#	RTS1# GPH11	Port RTS	Connected to PortB MEI
35	-	-			Not connected
36	I/O	I	XDREQ0# GPB10	Configured as input, pull-up enabled	Not used
37	I/O	I	XDREQ1# GPB8	Configured as input, pull-up enabled	Not used

X2	Type	U-Boot	Module Functionality	Comments	Usage on development board
38	I/O	I	XDACK0# GPB9	Configured as input, pull-up enabled	Not used
39	I/O	I	XDACK1# GPB7	Configured as input, pull-up enabled	Not used
40	P	-	GND		GND
41	AI	-	AIN4	Analog in. Unused analog inputs should be connected to AGND over a 10k series resistor to avoid cross over.	Not used
42	AI	- -	AIN5	Analog in. Unused analog inputs should be connected to AGND over a 10k series resistor to avoid cross over.	Not used
43	AI	-	AIN0	Analog in. Unused analog inputs should be connected to AGND over a 10k series resistor to avoid cross over.	Not used
44	AI	-	AIN1	Analog in. Unused analog inputs should be connected to AGND over a 10k series resistor to avoid cross over.	Not used
45	AI	-	AIN2	Analog in. Unused analog inputs should be connected to AGND over a 10k series resistor to avoid cross over.	Not used
46	AI	-	AIN3	Analog in, unused analog inputs should be connected to AGND over a 10k series resistor to avoid cross over.	Not used
47	AI	-	AIN6/YM	Used for touch screen TSYM/JSCC9M2443	Connected to LCD. Application connector X5.
48	AI	-	AIN7/YP	Used for touch screen TSYP/JSCC9M2443	Connected to LCD. Application connector X5.
49	AI	-	AIN8/XM	Used for touch screen TSXM/JSCC9M2443	Connected to LCD. Application connector X5.
50	AI	-	AIN9/XP	Used for touch screen TSXP/JSCC9M2443	Connected to LCD. Application connector X5.



X2	Type	U-Boot	Module Functionality	Comments	Usage on development board
51	REF	-	AVCC	Analog VCC. Is the extra filtered +3.3V connected with the AVCC ball of the CPU. Can be used as an analog reference; do not connect to any other power source.	Used for AIN0-9
52	REF	-	AGND	Analog GND	Used for AIN0-9
53	-	-	NC	-	Reserved for CCW9M2443
54	-	-	NC	-	Reserved for CCW9M2443
55	-	-	NC	-	Reserved for CCW9M2443
56	-	-	NC	-	Reserved for CCW9M2443
57	I/O	I	XBREQ#1 GPB6	Configured as input, pull-up enabled	Not used
58	I/O	I	XBACK# GPB5	Configured as input, pull-up enabled	Not used
59	I/O	I	USBH0PEN GPG8 EINT16	USB host0 Power Enable	USB host: input to recognize current limit from connected device 0=fail
60	O	-	PME	LAN9215 PME pin 70	Ethernet controller power management event
61	I/O	I2SSDO	I2SSDO GPE4 AC_SDO	I ² S-interface, pull-up disabled	Not used
62	I/O	I2SSDI	I2SSDIO GPE3 AC_SDI	I2S-interface, pull-up disabled	Not used
63	I/O	I2SCDCLK	I2SCDCLK GPE2 AC_BIT_CLK	I2S-interface, pull-up disabled	Not used
64	I/O	I2SSCLK	I2SSCLK GPE1 AC_SYNC	I2S-interface, pull-up disabled	Not used
65	I/O	I2SLRCK	GPE0 AC_RESET#	I2S-interface, pull-up disabled	Not used
66	I	-	TPIN	Ethernet 0 output-100R differential termination on module	Connected to RJ45 with integrated magnetics

X2	Type	U-Boot	Module Functionality	Comments	Usage on development board
67	O	-	LEDLNK	Ethernet 0 Line/Activity LED High, when link ok Low, while active	Connected to Link/Activity LED
68	I	-	TPIP	Ethernet 0 Input+ 100R differential termination on module	Connected to X7 RJ45 with integrated magnetics
69	O	-	LEDH0	speed LED	Connected to X7 RJ45 LED
70	O	-	TPON	Ethernet 0 output- 100R differential termination on module	Connected to X7 RJ45 with integrated magnetics
71	I/O	-	ETHGPIO2/LED3	Full duplex LED/IO	Not connected
72	O	-	TPOP	Ethernet 0 Output+ 100R differential termination on module	Connected to X7 RJ45 with integrated magnetics
73	O	GPA11	OE_CF# GPA11	Compact FLASH signal	Not used.
74	O	GPA15	WE_CF# GPA15	Compact FLASH signal	Not used.
75	I	GPG11	EINT19 IREQ_CF# GPG11	Compact FLASH signal	Not used.
76	I	GPG12	EINT20 INPACK# GPG12	Compact FLASH signal	Not used.
77	O	GPG13	EINT21 REG_CF# GPG13	Compact FLASH signal	Not used.
78	O	GPG14	EINT22 RESET_CF GPG14	Compact FLASH signal	Not used.
79	O	GPG15	EINT23 CF_PWREN GPG15	Compact FLASH signal	Not used.
80	P	-	GND		GND
81	I/O	D0	RDATA0	Data Bus	Connected to X33 Peripheral Application Header
82	I/O	D1	RDATA1		Connected to X33 Peripheral Application Header
83	I/O	D2	RDATA2		Connected to X33 Peripheral Application Header



X2	Type	U-Boot	Module Functionality	Comments	Usage on development board
84	I/O	D3	RDATA3		Connected to X33 Peripheral Application Header
85	I/O	D4	RDATA4		Connected to X33 Peripheral Application Header
86	I/O	D5	RDATA5		Connected to X33 Peripheral Application Header
87	I/O	D6	RDATA6		Connected to X33 Peripheral Application Header
88	I/O	D7	RDATA7		Connected to X33 Peripheral Application Header
89	I/O	D8	RDATA8		Connected to X33 Peripheral Application Header
90	I/O	D7	RDATA9		Connected to X33 Peripheral Application Header
91	I/O	D10	RDATA10		Connected to X33 Peripheral Application Header
92	I/O	D11	RDATA11		Connected to X33 Peripheral Application Header
93	I/O	D12	RDATA12		Connected to X33 Peripheral Application Header
94	I/O	D13	RDATA13		Connected to X33 Peripheral Application Header
95	I/O	D14	RDATA14		Connected to X33 Peripheral Application Header
96	I/O	D15	RDATA15		Connected to X33 Peripheral Application Header
97	I/O	SD1_D AT0	SD1_DAT0 GPL0	HS-SD data	Connected to X25 SD/MMC connector
98	I/O	SD1_D AT1	SD1_DAT1 GPL1	HS-SD data	Connected to X25 SD/MMC connector
99	I/O	SD1_D AT2	SD1_DAT2 GPL2	HS-SD data	Connected to X25 SD/MMC connector
100	I/O	SD1_D AT3	SD1_DAT3 GPL3	HS-SD data	Connected to X25 SD/MMC connector
101	I/O	SD1_D AT4	SD1_DAT4 GPL4	HS-SD data	Connected to X25 SD/MMC connector
102	I/O	SD1_D AT5	SD1_DAT5 GPL5	HS-SD data	Connected to X25 SD/MMC connector
103	I/O	SD1_D AT6	SD1_DAT6 GPL6	HS-SD data	Connected to X25 SD/MMC connector

X2	Type	U-Boot	Module Functionality	Comments	Usage on development board
104	I/O	SD1_DAT7	SD1_DAT7 GPL7	HS-SD data	Connected to X25 SD/MMC connector
105	I/O	SD1_CMD	SD1_CMD GPL8	HS-SD control signal	Connected to X25 SD/MMC connector
106	I/O	SD1_CLK	SD1_CLK GPL9	HS-SD control signal	Connected to X25 SD/MMC connector
107	I/O	SD1_WP#	SD1_nWP GPJ15	HS-SD control signal	Connected to X25 SD/MMC connector
108	I/O	SD1_CD#	SD1_CD# GPJ14	HS-SD control signal	Connected to X25 SD/MMC connector
109	I/O	SD1_LED#	SD1_LED GPJ13	HS-SD control signal	Connected to X25 SD/MMC connector
110	I	USER_KEY2	USER_KEY2 EINT6 GPF6	Configured as input, pull-up/interrupt enabled	Connected to USER_KEY2
111	I	-	GPG5 EINT13	Configured as input, pull-up/interrupt enabled	Connected to X33
112	-	-	NC		Not connected
113	-	-	NC		Not connected
114	-	-	NC		Not connected
115	-	-	NC	-	Not connected
116	O	CLKOUT1	CLKOUT1 GPH10	Clock output, unbuffered CLKOUT1 signal, 22R series resistor on module	Not used
117	-	-	NC	-	Not connected
118	-	-	NC	-	Not connected
119	O	CLKOUT0	BCLKOUT0 GPH9	Clock output, buffered CLKOUT0 signal	Not used
120	P	-	GND	-	GND

Appendix A: Specifications

This appendix provides specifications for the modules and the development board.

Network interface

- Standard: IEEE 802.3
- Physical layer: 10/100Base-T
- Data rate: 10/100 Mbps
- Mode: Full or half duplex

WLAN interface

- Standard: IEEE802.11a/b/g
- Frequency: 2.412GHz - 5.875GHz
- Data Rates Supported
 - 1, 2, 5.5, 6, 9, 11, 12, 18, 24, 36, 48, 54 Mbps
- Media Access Protocol
 - Carrier-Sense Multiple Access with Collision Avoidance (CSMA/CA)
- Wireless Medium
 - 802.11b/g: Direct Sequence-Spread Spectrum (DSSS) and Orthogonal Frequency Divisional Multiplexing (OFDM)
 - 802.11a: OFDM
- DFS Client
 - This module supports the DFS Client only between the 5.25 and 5.35GHz bands. It does not support being a DFS Master, nor can it be connected to an ad hoc network in these bands.
- Modulation
 - DSSS
 - Differential Binary Phase Shift Keying (DBPSK) @ 1 Mbps
 - Differential Quadrature Phase Shift Keying (DQPSK) @ 2 Mbps
 - Complementary Code Keying (CCK) @ 5.5 and 11 Mbps OFDM
 - BPSK @ 6 and 9 Mbps
 - QPSK @ 12 and 18 Mbps
 - 16-Quadrature Amplitude Modulation (QAM) @ 24 and 36 Mbps

- 64-QAM @ 48 and 54 Mbps
- Frequency Bands
 - 2.412 to 2.472 GHz (ETSI)
 - 2.412 to 2.462 GHz (FCC)
 - 5.150 to 5.250 GHz (ETSI)
 - 5.250 to 5.350 GHz (ETSI) excluding TPC and DFS Client
 - 5.470 to 5.725 GHz (ETSI) excluding TPC and DFS Client
 - 5.725 to 5.875 GHz (ETSI) excluding TPC and DFS Client
 - 5.15 to 5.350 GHz (FCC UNII1 and UNII2)
 - 5.470 to 5.725 GHz
 - 5.725 to 5.850 GHz (FCC)
- Receive Sensitivity 802.11a (typical)
 - -86 dBm @ 6 Mbps
 - -85 dBm @ 9 Mbps
 - -84 dBm @ 12 Mbps
 - -83 dBm @ 18 Mbps
 - -81 dBm @ 24 Mbps
 - -77 dBm @ 36 Mbps
 - -72 dBm @ 48 Mbps
 - -69 dBm @ 54 Mbps
- Receive Sensitivity 802.11g (typical)
 - -84 dBm @ 6 Mbps
 - -81 dBm @ 9 Mbps
 - -80 dBm @ 12 Mbps
 - -80 dBm @ 18 Mbps
 - -78 dBm @ 24 Mbps
 - -76 dBm @ 36 Mbps
 - -70 dBm @ 48 Mbps
 - -68 dBm @ 54 Mbps
- Receive Sensitivity 802.11b (typical)
 - -86 dBm @ 1 Mbps
 - -86 dBm @ 2 Mbps
 - -84 dBm @ 5.5 Mbps
 - -80 dBm @ 11 Mbps
- Available Transmit Power Settings
(Maximum power setting will vary according to individual country regulations.)



802.11b/g:

- 15 dBm (~31 mW) @ 1, 2, 5.5, and 11 Mbps
- 12 dBm (~15 mW) @ 6,12, 18, 24, 36, 48, and 54 Mbps

■ Available Transmit Power Settings

(Maximum power setting will vary according to individual country regulations.)

802.11a:

- 4.920 to 5.040GHz
3 dBm (~2 mW) @ 6,12, 18, 24, 36, 48, and 54 Mbps
- 5.060 to 5.640GHz
10 dBm (~10 mW) @ 6,12, 18, 24, 36, 48, and 54 Mbps
- 5.660 to 5.700GHz
7 dBm (~5 mW) @ 6,12, 18, 24, 36, 48, and 54 Mbps
- 5.745 to 5.825GHz
4 dBm (~2.5 mW) @ 6,12, 18, 24, 36, 48, and 54 Mbps

Environmental specifications



The module board assembly meets all functional requirements when operating in this environment.

ConnectCore 9M 2443

- Operating temperature:
 - Commercial variant: -20°C to +70°C
 - Industrial variant: -40°C to +85°C
- Storage temperature: -40°C to +125°C
- Relative humidity: 5% to 95%, non-condensing
- Altitude: 0 to 12,000 feet

ConnectCore Wi-9M 2443

- Operating temperature:
 - Commercial variant: -20°C to +65°C
 - Industrial variant: -40°C to +65°C
- Storage temperature: -40°C to +125°C
- Relative humidity: 5% to 95%, non-condensing
- Altitude: 0 to 12,000 feet

Thermal specifications

The table below shows the specific standard operating temperature ranges for the entire ConnectCore 9M 2443 embedded core module family.

Standard Operating Temperature Ranges

Product	Operating Temperature Range
ConnectCore 9M 2443	-40 to +85°C
ConnectCore Wi- 9M2443	-40 to +65°C @ 100% Duty Cycle (WLAN) -40 to +85°C @ 33% Duty Cycle (WLAN)

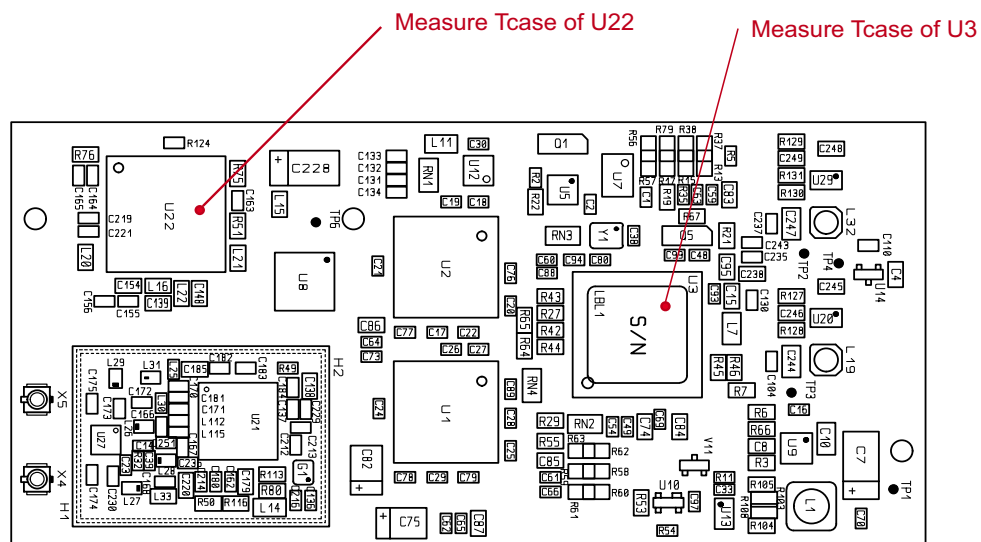
The lower standard operating temperature range is specified without restrictions, except condensation must not occur.

The upper operating temperature limit depends on the host PCB layout and surrounding environmental conditions. To simplify the customer's design process, a maximum component case temperature has been specified.

Product	Maximum Case Temperature	Component
ConnectCore 9M 2443	100°C	U3
ConnectCore Wi- 9M 2443	95°C	U22



The maximum component case temperature must remain below the maximum, measured at the devices shown in the figure below.



When attaching thermocouples, please follow the guidelines listed below:

- Carefully remove any labels or other foreign material from the component.
- Ensure an adhesive with high thermal conductivity is used. Use as little adhesive as possible.
- Make sure the thermocouple is touching the case of the component and not "floating" in the adhesive.
- The use of precision, fine-wire K-type thermocouples is strongly recommended.
 - Omega Engineering P/N 5TC-TT-K-36-72, or similar

recommendations

management in applications with operating temperatures at the high end or beyond the specified standard ambient temperature range.

- Providing air movement will improve heat dissipation.
- The host PCB plays a large part in dissipating the heat generated by the module. A large copper plane located on the host ground PCB will improve the heat dissipation capabilities of the PCB.

If the design allows, added buried PCB planes will also improve heat dissipation. The copper planes create a larger surface to spread the heat into the surrounding environment.

Power requirements

Parameter	ConnectCore 9M 2443	ConnectCore Wi-9M 2443
Input voltage (VLIO /+3.3V)	3.3V±5% (3.14V to 3.46V)	3.3V±5% (3.14V to 3.46V)
Input current $I_{VLIO}+I_{+3.3V}$	554mA max	1.2A max
Input low voltage	$0.0V_{+3.3V} < V_{IL} < 0.3 * V_{+3.3V}$	$0.0V_{+3.3V} < V_{IL} < 0.3 * V_{+3.3V}$
Input high voltage	$0.7 * V_{+3.3V} < V_{IH} < V_{+3.3V}$	$0.7 * V_{+3.3V} < V_{IH} < V_{+3.3V}$
Output low voltage	$0.0V_{+3.3V} < V_{OL} < 0.4V_{+3.3V}$	$0.0V_{+3.3V} < V_{OL} < 0.4V_{+3.3V}$
Output high voltage	$V_{+3.3V} - 0.4V < V_{OH} < V_{+3.3V}$	$V_{+3.3V} - 0.4V < V_{OH} < V_{+3.3V}$

Typical Power Requirements

ConnectCore 9M 2443

Module State	533MHz			400MHz		
	VLIO	+3.3V	Typical Power	VLIO	+3.3V	Typical Power
U-Boot	142mA	168mA	1023mW	147mA	168mA	1040mW
Windows CE	112mA	167mA	921mW	129mA	165mA	971mW
Ethernet Reset	120mA	70mA	627mW	129mA	70mA	657mW
Suspend	26mA	27mA	175mW	30mA	26mA	185mW



Note: The higher VLIO current of 400 MHz variant due to speed grade specific S3C2443 PLL voltage requirements.

- U-Boot
 - U-Boot idle; waiting for serial input
 - 100 Mbit Ethernet connection idle
 - All peripherals provided with clock signals, but not initialized
- Windows Embedded CE
 - Windows Embedded CE idle
 - 100 Mbit Ethernet connection idle
 - All peripherals except camera and sound provided with clock signals and initialized
- Ethernet Reset
 - Windows Embedded CE idle
 - 100 Mbit Ethernet connection idle
 - All peripherals except camera and sound provided with clock signals and initialized
 - Ethernet controller held in reset (GPIO GPA13/ETH_RST# low)
- Suspend (CPU in SLEEP mode)
 - Windows Embedded CE
 - Ethernet deactivated
 - All peripheral and CPU clocks stopped, all SoC IP blocks deactivated

ConnectCore
“Wi-9M 2443”

	533MHz			400MHz		
Module State	VLIO	+3.3V	Typical Power	VLIO	+3.3V	Typical Power
U-Boot	197mA	267mA	1532mW	237mA	232mA	1548mW
Windows CE	220mA	284mA	1664mW	222mA	238mA	1518mW
Ethernet Reset	224mA	190mA	1367mW	222mA	142mA	1202mW
Module State	VLIO	+3.3V	Typical Power	VLIO	+3.3V	Typical Power

	533MHz			400MHz		
Suspend	83mA	90mA	571mW	95mA	72mA	552mW
Wireless Receive	247mA	346mA	1957mW	300mA	352mA	2152mW
Wireless Transmit	280mA	705mA	3251mW	300mA	673mA	3211mW

Note: The higher VLIO current of 400 MHz variant due to speed grade specific S3C2443 PLL voltage requirements.

- U-Boot
 - U-Boot idle; waiting for serial input
 - 100 Mbit Ethernet connection idle
 - All peripherals provided with clock signals, but not initialized
- Windows Embedded CE
 - Windows Embedded CE idle
 - 100 Mbit Ethernet connection idle
 - All peripherals except camera and sound provided with clock signals and initialized
- Ethernet Reset
 - Windows Embedded CE idle
 - 100 Mbit Ethernet connection idle
 - All peripherals except camera and sound provided with clock signals and initialized
 - Ethernet controller held in reset (GPIO GPA13/ETH_RST# low)
- Suspend (CPU in SLEEP mode)
 - Windows Embedded CE
 - Ethernet deactivated
 - All peripheral and CPU clocks stopped, all SoC IP blocks deactivated
- Wireless Receive
 - Wireless interface initialized, receive only
 - Windows Embedded CE idle
 - 100 Mbit Ethernet connection idle
 - All peripherals except camera and sound provided with clock signals and initialized

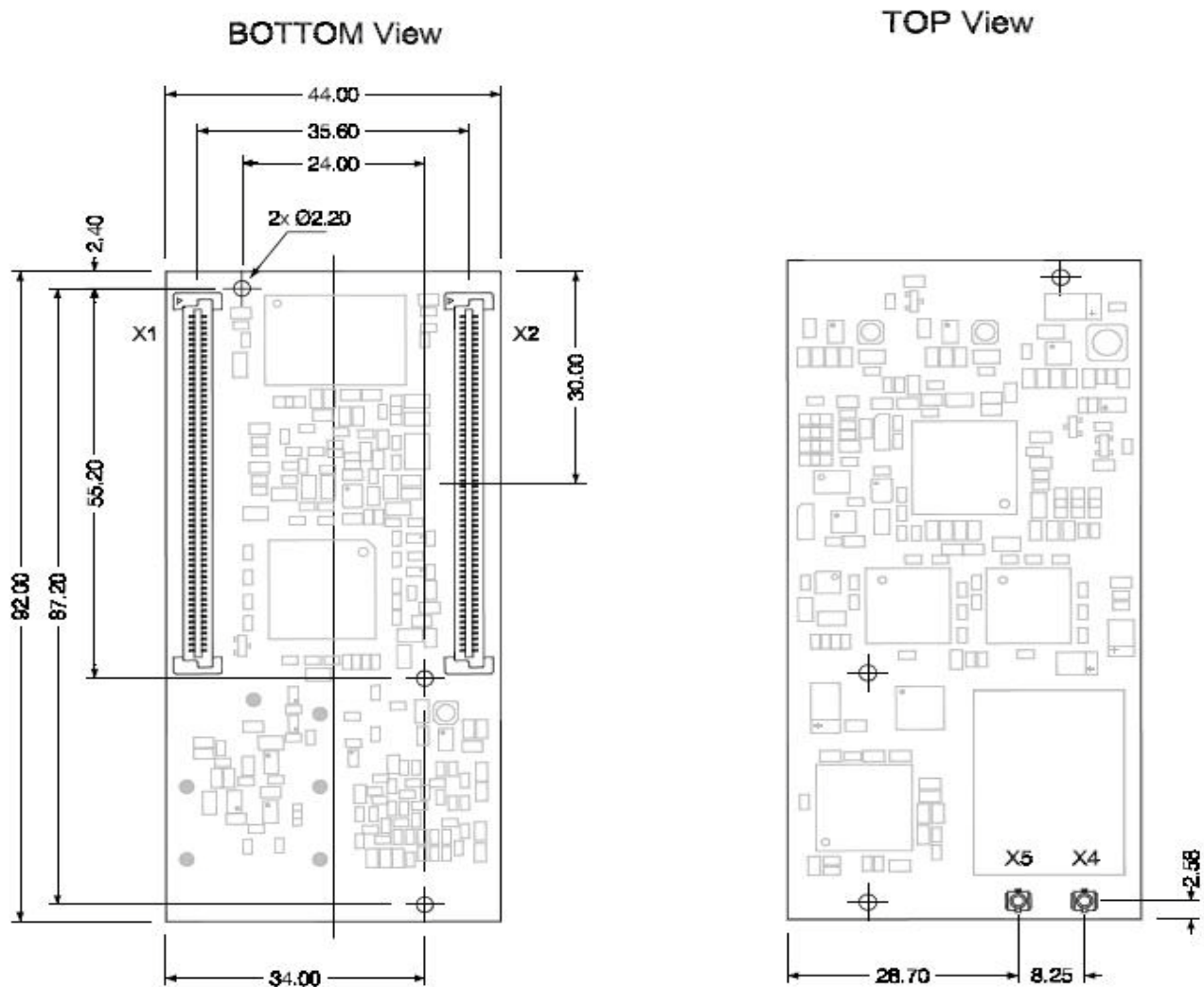


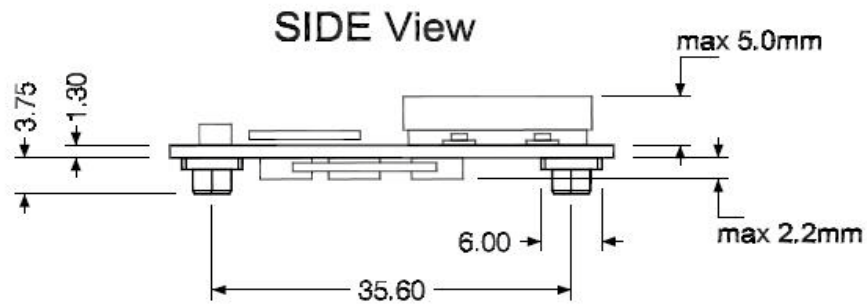
- Wireless Transmit
 - Wireless interface initialized, continuous transmit (100%)
 - Windows Embedded CE idle
 - 100 Mbit Ethernet connection idle
 - All peripherals except camera and sound provided with clock signals and initialized

Mechanical specifications

ConnectCore 9M 2443

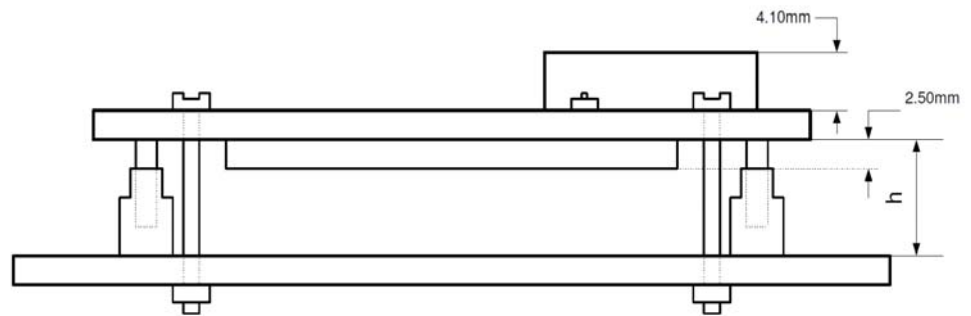
Below are the mechanical dimensions of the ConnectCore 9M 2443 Module.





The module measures 60 x 44mm. Three holes are provided for M2 screws to enable secure mounting of the module on the base board.

Two board to board connectors are used on the module. The rack-mounted carrier board has a maximum height from the top of the base board of 13.7mm.



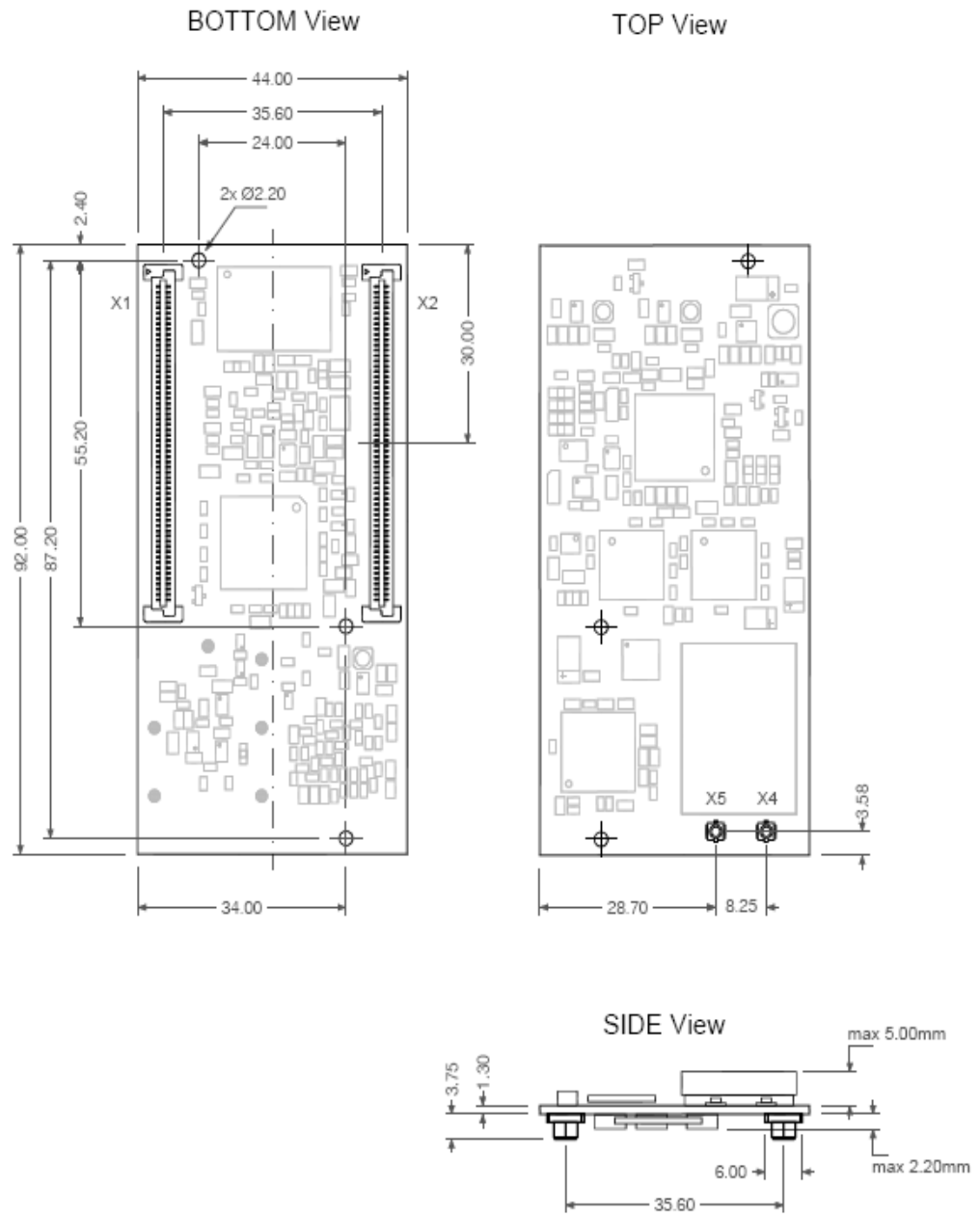
h represents the base board connector height (minimum 5mm) and its value needs to be chosen in such a way that ensures: $2.5\text{mm} + 4.1\text{mm} + h \leq 13.7\text{mm}$.

See “Connector Reference Parts” table below for further details.



**ConnectCore
Wi-9M 2443**

The size of the extended module is defined as 92 x 44mm. Three holes for M2 screws are provided to enable secure mounting of the module on the base board.



Connector Reference Parts

Base Board Connector X1, X2

PCB Distance	Positions	Vendor	Manufacturer Part Number
5 mm	120	Tyco	5177984-5
		FCI	61083-121000
6 mm	120	Tyco	5179029-5
		FCI	61083-122000
7 mm	120	Tyco	5179030-5
		FCI	61083-123000
8 mm	120	Tyco	5179031-5
		FCI	61083-124000

Base Board Connector X3, X4

PCB Distance	Positions	Vendor	Manufacturer Part Number
5 mm	60	Tyco	5177984-5
		FCI	61083-061009
6 mm	60	Tyco	5179029-5
		FCI	61083-062009
7 mm	60	Tyco	5179030-5
		FCI	61083-063009
8 mm	60	Tyco	5179031-5
		FCI	61083-064009

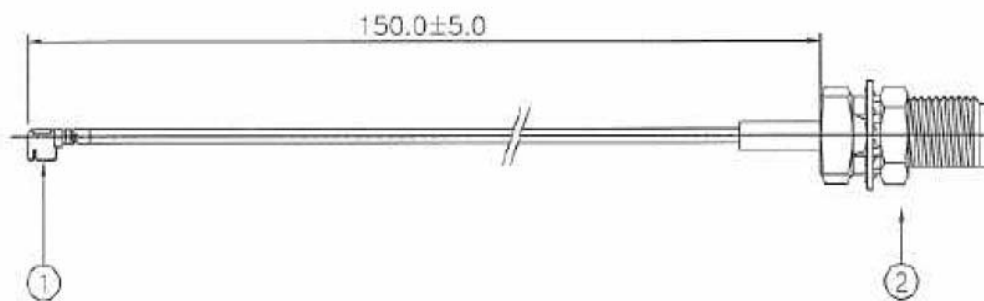
Cable specification : U.FL/W.FL to RP-SMA FEMALE

Attributes

Attribute	Property
Impedance	50 Ohm
Frequency Range	0 to 6 GHz
Length	150 mm /
Temperature Range	-40 to +90°C
Loss	3.8dB/m (3 GHz) 5.6dB/m (6 GHz)

Dimensions

Note: Dimensions are provided for reference purposes only. The actual cable might vary.



- 1 = U.FL
- 2 = RP-SMA

Note: This module obtained its complete certification by using the cable described here. End users in North America should use a cable that matches these specs to maintain the module's certification.

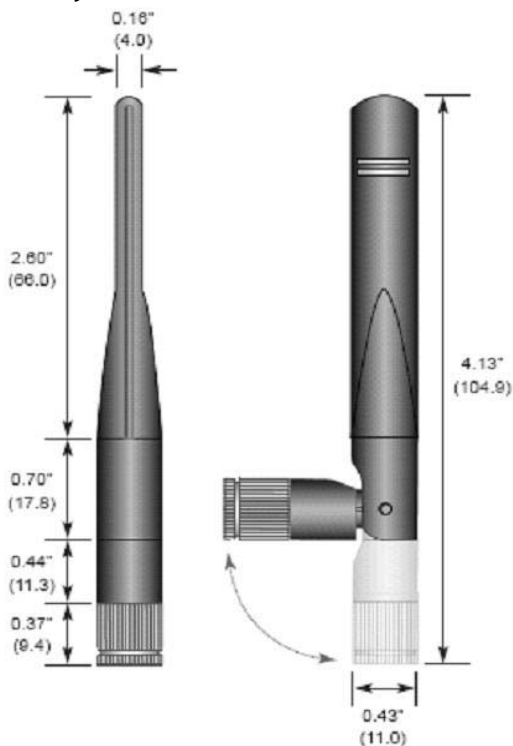
Antenna specification: 802.11a/b/g antenna

Attributes

Attribute	Band 1	Band 2
Frequency	2.4~2.483.5GHz	5.15GHz~6GHz
Bandwidth	120MHz	875MHz
Wavelength	¼ Wave	¼ Wave
Impedance	50 Ohm	50 Ohm
VSWR	< 1.9 typ. Center	< 1.9 typ. Center
Connector	RP-SMA	RP-SMA
Gain	2.3dBi	3.6dBi
Dimension	See measurements in the drawing after the table.	
Maximum Power level	TBD	TBD
Operationg temperature	TBD	TBD
Storage temperature	TBD	TBD
Part number	ANT-DB1-RAF-RPS	

Dimensions

Note: Dimensions are provided for reference purposes only. The actual antenna might vary.



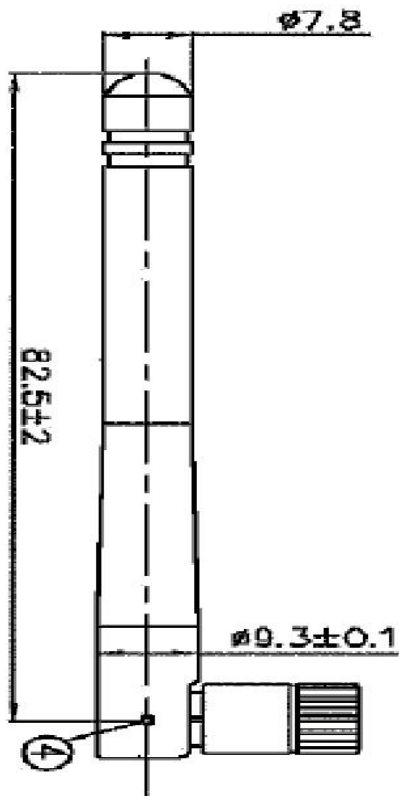
Antenna Specification: 802.11b/g antenna

Attributes

Attribute	Property
Frequency	2.4~2.5 GHz
Power output	2W
DB gain	2 dBi
VSWR	< or = 2.0
Dimension	108.5 mm x 10.0 mm
Weight	10.5g
Temperature rating	-40°~+80° C
Part number	DG-ANT-20DP-BG

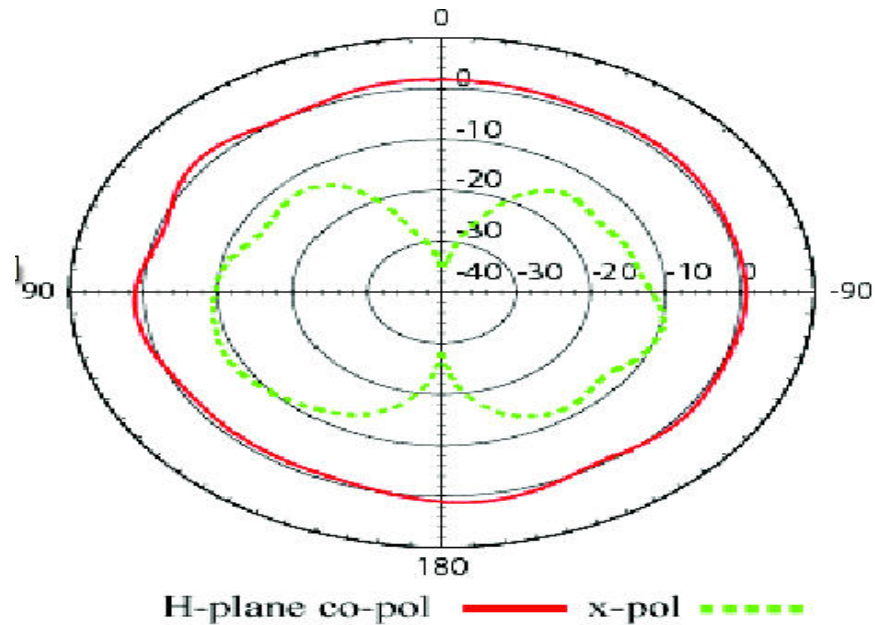
Dimensions

Note: Dimensions are provided for reference purposes only. The actual antenna might vary.



Polar Plots

This diagram shows the strength of the signal received by the whip antenna on both a horizontal and vertical plane. The diagram shows the magnetic field when the antenna is in a vertical position. The red solid line represents the horizontal plan and the green dotted line represents the vertical plane. You can see in the illustration that at 90 degrees, the signal strength is 0 (as expected).





Safety statements



To avoid contact with electrical current:

- Never install electrical wiring during an electrical storm.
- Use a screwdriver and other tools with insulated handles.
- Wear safety glasses or goggles.
- Installation of inside wiring may bring you close to electrical wire, conduit, terminals and other electrical facilities. Extreme caution must be used to avoid electrical shock from such facilities. Avoid contact with all such facilities.
- Protectors and grounding wire placed by the service provider must not be connected to, removed, or modified by the customer.
- Do not touch or move the antenna(s) while the unit is transmitting or receiving.
- Do not hold any component containing a radio such that the antenna is very close to or touching any exposed parts of the body, especially the face or eyes, while transmitting.
- Do not operate a portable transmitter near unshielded blasting caps or in an explosive environment unless it is a type especially qualified for such use.
- Any external communications wiring you may install needs to be constructed to all relevant electrical codes. In the United States, this is the National Electrical Code Article 800. Contact a licensed electrician for details.

Appendix B: Certifications

The ConnectCore 9M 2443 and ConnectCore Wi-9M 2443 product complies with the following standards.

FCC Part 15 Class B

.....

Radio Frequency Interface (RFI) (FCC 15.105)

The ConnectCore 9M 2443 module has been tested and found to comply with the limits for Class B digital devices pursuant to Part 15 Subpart B, of the FCC rules. These limits are designed to provide reasonable protection against harmful interference in a residential environment. This equipment generates, uses, and can radiate radio frequency energy, and if not installed and used in accordance with the instruction manual, may cause harmful interference to radio communications. However, there is no guarantee that interference will not occur in a particular installation. If this equipment does cause harmful interference to radio or television reception, which can be determined by turning the equipment off and on, the user is encouraged to try and correct the interference by one or more of the following measures:

- Reorient or relocate the receiving antenna.
- Increase the separation between the equipment and receiver.
- Connect the equipment into an outlet on a circuit different from that to which the receiver is connected.
- Consult the dealer or an experienced radio/TV technician for help.

Labeling Requirements (FCC 15.19)

This device complies with Part 15 of FCC rules. Operation is subject to the following two conditions: (1) this device may not cause harmful interference, and (2) this device must accept any interference received, including interference that may cause undesired operation.

If the FCC ID is not visible when installed inside another device, then the outside of the device into which the module is installed must also display a label referring to the enclosed module FCC ID. This exterior label can use wording such as the following: “Contains Transmitter Module FCC ID: MCQ-50M1663/ IC: 1846A-50M1663”.

RF Exposure

RF Exposure considerations require that a 20 cm separation distance between users and the installed antenna location shall be maintained at all times when the module is energized. OEM installers must consider suitable module and antenna installation locations in order to assure this in 20cm separation, and end users be also be advised of the requirement.

Modifications (FCC 15.21)

Changes or modifications to this equipment not expressly approved by Digi may void the user's authority to operate this equipment.

Industry Canada

This digital apparatus does not exceed the Class B limits for radio noise emissions from digital apparatus set out in the Radio Interference Regulations of the Canadian Department of Communications.

Le present appareil numerique n'emet pas de bruits radioelectriques depassant les limites applicables aux appareils numeriques de la class B prescrites dans le Reglement sur le brouillage radioelectrique edicte par le ministere des Communications du Canada.

The maximum antenna gain permitted in the bands 5250-5350 MHz and 5470-5725 MHz to comply with the e.i.r.p limit is, according to RSS-210 section A9.2(2)

- 250mW conducted power
- 1.0W max EIRP

This limit is met with the highest gain antenna listed,antennafactor ANT-DB1-RAF-RPS.

The maximum antenna gain permitted in the band 5725-5825 MHz to comply with the e.i.r.p limit specified for non point-to-point operation is,according to RSS-210 section A9.2(3):

- 1W conducted power
- 4.0W max EIRP

This limit is met with the highest gain antenna listed,antennafactor ANT-DB1-RAF-RPS.



OEM installers and users are cautioned to take note that high-power radars are allocated as primary users (meaning they have priority) of the bands 5250-5330 MHz and 5650-5850 MHz and these radars could cause interference and /or damage to devices operating in these frequency bands.

Indoor/Outdoor

When the ConnectCore W9M2443 module is installed in devices that can be used outdoors, the channels in the band 5150-5250 MHz must be disabled to comply with US and Canadian regulatory requirements. The OEM users are encouraged to inform end users of this restriction as well.

Declaration of Conformity

(In accordance with FCC Dockets 96-208 and 95-19)

Manufacturer's Name: Digi International
Corporate Headquarters: 11001 Bren Road East
Minnetonka MN 55343
Manufacturing Headquarters: 10000 West 76th Street
Eden Prairie MN 55344

Digi International declares that the product:

Product Name ConnectCore 9M 2443
Model Number: 50001664-xx

to which this declaration relates, meets the requirements specified by the Federal Communications Commission as detailed in the following specifications:

- Part 15, Subpart B, for Class B equipment
- FCC Docket 96-208 as it applies to Class B personal
- Personal computers and peripherals

The product listed above has been tested at an External Test Laboratory certified per FCC rules and has been found to meet the FCC, Part 15, Class B, Emission Limits. Documentation is on file and available from the Digi International Homologation Department.



International EMC Standards

The ConnectCore 9M 2443 meets the following standards:

Standards	ConnectCore 9M 2443
Emissions	FCC Part 15 Subpart B IS-003
Immunity	EN 55022 EN 55024
Safety	UL 60950-1 CSA C22.2, No. 60950-1 EN60950-1