

Digi ConnectTM Wi-Wave Hardware Reference



Part number/version: 90000797_B
Release date: September 2007
www.digiembedded.com

©2007 Digi International Inc.

Printed in the United States of America. All rights reserved.

Digi, Digi International, the Digi logo, a Digi International Company, Jump Start Kit, ConnectCore, NET+, NET+OS and NET+Works are trademarks or registered trademarks of Digi International, Inc. in the United States and other countries worldwide. All other trademarks are the property of their respective owners.

Information in this document is subject to change without notice and does not represent a commitment on the part of Digi International.

Digi provides this document “as is,” without warranty of any kind, either expressed or implied, including, but not limited to, the implied warranties of fitness or merchantability for a particular purpose. Digi may make improvements and/or changes in this manual or in the product(s) and/or the program(s) described in this manual at any time.

This product could include technical inaccuracies or typographical errors. Changes are made periodically to the information herein; these changes may be incorporated in new editions of the publication.

Digi International, Inc.
11001 Bren Road East
Minnetonka, MN 55343 U.S.A.
United States: +1 877 912-3444
Other locations: +1 952 912-3444

www.digiembedded.com

Contents

Chapter 1: About the Module.....	9
Features	9
What's on the module?	10
Connect Wi-Wave module edge connector	10
Connect Wi-Wave module edge connector: Pinout	10
U.FL connectors	11
USB peripheral controller	11
802.11b/g modes and channels	12
Channel allocations	12
Voltage regulators	12
Voltage monitor – Reset generator	13
LEDS	13
Power	13
DISABLE signal	13
Chapter 2: About the Development Board	15
What's on the development board	15
Features	15
The development board	16
???Unpopulated components	16
Connect Wi-Wave module connector, P52	17
Pinout	17
LEDs	19
LED DS1	19
LED DS2	19
Debug (signal) breakout header LEDs	19
Switches and reset functionality	20
Voltage monitor	20
Alternative methods to trigger RESET#	20
Power supply	21
Input power jack, J1	21
Input power supply	21
JTAG	22
Pinout	22
USB peripheral interface	23

- USB peripheral jack, J4 23
 - Important 23
- Debug breakout header, P201 24
 - Debug breakout header signal map 24
 - W_DISABLE# signal 24
- U.FL and RP-SMA connectors 25
 - U.FL connectors 25
 - U.FL cables 25
 - RP-SMA connectors 26
 - For more information 26

Chapter 3: Using the Antenna 27

- Necessary Conditions for Integration 27
 - Connect
 - Wi-Wave antenna configurations 28
 - U.FL cable and RP-SMA connection 28
- General information 29
 - Antenna switch 29
- Antenna specifications: 2 dBi Dipole 29
 - Attributes 29
 - Dimensions 29
 - Antenna strength (radiation pattern) diagram 30
- Antenna specifications: 5.5 dBi Dipole 31
 - Attributes 31
 - Dimensions 31
 - Radiation pattern: H-Plane (2.0 and 5.0 GHz) 32
 - Radiation pattern: E-plane (2.0 and 5.0 GHz) 33
- End Product Labeling 34
- End User Manual: RF Exposure Statements 34
 - Additional End User Information 34

Appendix A: Specifications 37

- Environmental specifications 37
- Mechanical dimensions 37
- Power requirements 38
- RF exposure statement 38
- Safety statements 38
- Module and development board dimensions 39
 - Module dimensions 39
 - Development board dimensions 40

Appendix B: Certifications 41

- FCC Part 15 Class B 41

Using this Guide

This guide provides information about the Digi Connect Wi-Wave embedded core module.

Conventions used in this guide

This table describes the typographic conventions used in this guide:

This convention	Is used for
<i>italic type</i>	Emphasis, new terms, variables, and document titles.
monospaced type	Filenames, pathnames, and code examples.

Digi information

Related documentation

For additional documentation, see the Documentation folder in the NET+OS Start menu.

Documentation updates

Digi occasionally provides documentation updates on the Web site (www.digiembedded.com/support).

Be aware that if you see differences between the documentation you received in your package and the documentation on the Web site, the Web site content is the latest version.

Contact information

For more information about your Digi products, or for customer service and technical support, contact Digi International.

To contact Digi International by	Use
Mail	Digi International, Inc. 11001 Bren Road East Minnetonka, MN 55343 U.S.A
World Wide Web	http://www.digi.com/support/
email	http://www.digi.com/support/
Telephone (U.S.)	(952) 912-3444 or (877) 912-3444
Telephone (other locations)	+1 (952) 912-3444 or +1 (877) 912-3444

Chapter 1: About the Module

The Digi Connect Wi-Wave module is an 802.11b/g WLAN communications module for use in embedded applications. The module is a single circuit card packaged in a PCI Express Mini Card form factor, and supports all the RF, analog, and digital circuitry necessary to implement WLAN functionality. Using Digi's baseband processor technology, this module is the ideal choice for embedded applications requiring long-term product availability in conjunction with reliability and easy design integration.

The primary interface to the module is through a standards-compliant PCI Express Mini Card edge connector, using a USB 2.0 full speed/high speed link for communication with the host system.

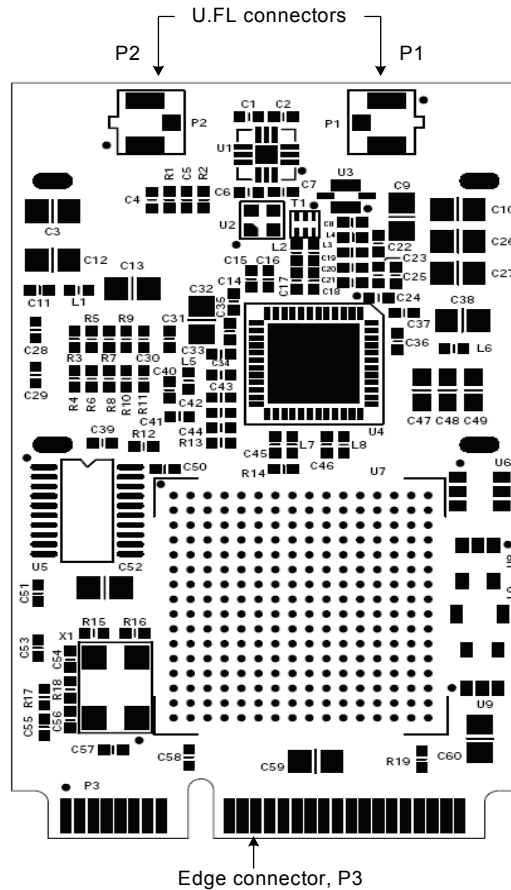
Note: The Connect Wi-Wave edge connector pinout is compliant with the PCI Express Mini Card Electromechanical Specification, Revision 1.1 (March 28, 2005) with this exception: the Connect Wi-Wave has a 4-wire JTAG programming interface mapped to pins 45, 47, 49, and 51.

The Connect Wi-Wave module also provides a dual diversity antenna option through two on-board U.FL connectors, which allow for cabling to remote 2.4 GHz antennas.

Features

- Ultra-compact and standards-based form factor
- Easy design integration through USB 2.0 full speed/high speed interface
- Dual diversity antenna option through two on-module U.FL antenna connectors
- Digi 802.11b/g baseband processor technology for long-term product availability
- -30°C to +70°C operating temperature for harsh environments
- RoHS compliant design

What's on the module?



Connect Wi-Wave module edge connector

The Connect Wi-Wave module edge connector is a 52-pin connector whose pinout follows the standard PCI Express Mini Card edge connector pinout as stated in the PCI Express Mini Card Electromechanical Specification, Revision 1.1, with this exception: JTAG signals are mapped onto pins 45, 47, 49, and 51. These signals are reserved and not intended for user applications.

Connect Wi-Wave module edge connector: Pinout

The module edge connector is configured as shown (signal direction w.r.t Wi-Wave):

Pin	Type	WLAN Mini Card signal	Pin	Type	WLAN Mini Card signal
1	n/a	No connect	2	In	Vcc_3.3
3	n/a	No connect	4	In	GND
5	n/a	No connect	6	n/a	No connect
7	n/a	No connect	8	n/a	No connect
9	In	GND	10	n/a	No connect

Pin	Type	WLAN Mini Card signal	Pin	Type	WLAN Mini Card signal
11	n/a	No connect	12	n/a	No connect
13	n/a	No connect	14	n/a	No connect
15	In	GND	16	n/a	No connect
		Key			Key
17	n/a	No connect	18	In	GND
19	n/a	No connect	20	In	W_DISABLE#
21	In	GND	22	In	PERST#
23	n/a	No connect	24	n/a	No connect
25	n/a	No connect	26	In	GND
27	In	GND	28	n/a	No connect
29	In	GND	30	n/a	No connect
31	n/a	No connect	32	n/a	No connect
33	n/a	No connect	34	In	GND
35	In	GND	36	I/O	USB_D-
37	n/a	No connect	38	I/O	USB_D+
39	n/a	No connect	40	In	GND
41	n/a	No connect	42	Out	LED_WWAN#
43	n/a	No connect	44	Out	LED_WLAN#
45	<i>Rsvd (In)</i>	JTAG_TCK	46	Out	LED_WPAN#
47	<i>Rsvd (In)</i>	JTAG_TMS	48	n/a	No connect
49	<i>Rsvd (Out)</i>	JTAG_TDO	50	In	GND
51	<i>Rsvd (In)</i>	JTAG_TDI	52	In	Vcc_3.3

U.FL connectors

The module uses two U.FL antenna connectors (P1 and P2) to allow for cabling to embedded antennas or external antenna connectors. For more information, see Chapter 3, “Using the Antenna.”

USB peripheral controller

The module uses a peripheral USB controller to interface to either a full speed or high speed USB 2.0 link. The link first tries to communicate to the host system board at the high speed USB rate (480 Mbps). If not successful, the link reverts to the full speed USB rate (12 Mbps). This link is used for all communication between the module and the host system board.

Note: The Connect Wi-Wave module does not support low-speed USB connections.

802.11b/g modes and channels

The Connect Wi-Wave transmits and receives data at up to 11 Mbps when operating in 802.11b mode and up to 54 Mbps when operating in 802.11g mode. It supports these 802.11b/g channels:

- Channels 1 through 11 for North America (2.401 GHz-2.473 GHz)
- Channels 1 through 13 for Europe (2.401 GHz-2.483 GHz)
- Channels 1 through 14 for Asia (2.401 GHz-2.495 GHz)

Channel allocations

Channel	Center frequency (MHz)	Frequency spread (MHz - MHz)
1	2412	2401 - 2423
2	2417	2406 - 2428
3	2422	2411 - 2433
4	2427	2416 - 2438
5	2432	2421 - 2443
6	2437	2426 - 2448
7	2442	2431 - 2453
8	2447	2436 - 2458
9	2452	2441 - 2463
10	2457	2446 - 2468
11	2462	2451 - 2473
12	2467	2456 - 2478
13	2472	2461 - 2483
14	2484	2473 - 2495

Voltage regulators

The module takes in 3.3V±9% (3.00V to 3.60V) as its main input power. This power is filtered and used as a 3.3V supply to portions of the digital logic. This power also acts as input to dedicated on-board voltage regulators.

Voltage monitor — Reset generator

The module does not provide a voltage monitor or automatic reset signal generator; rather, the module uses a reset signal generated by the host system board.

LEDS

The module does not have any on-board LEDs, but it drives the LED_WLAN# signal (pin 44) to indicate WLAN association and transmit/receive activity. This table shows the different LED states:

LED state	Indication
Off	Not powered on
On	Associated and authenticated
Slow blink	Not associated or authenticated
Intermittent blink	Transmit/receive activity

Power

The module requires only +3.3 VDC, 750 mA max. This power must be a well-regulated +3.3V supply due to limited supply filtering in the module. The digital inputs and outputs are 3.3V CMOS compatible. See “Power requirements” on page 38 for specifications.

DISABLE signal

The module supports the active low W_DISABLE# signal (pin 20) as specified in the PCI Express Mini Card Electromechanical Specification. This signal not only disables the power supplies to the radio portion of the module, it also powers down additional portions of the module to reduce power consumption to a minimum.

Chapter 2: About the Development Board

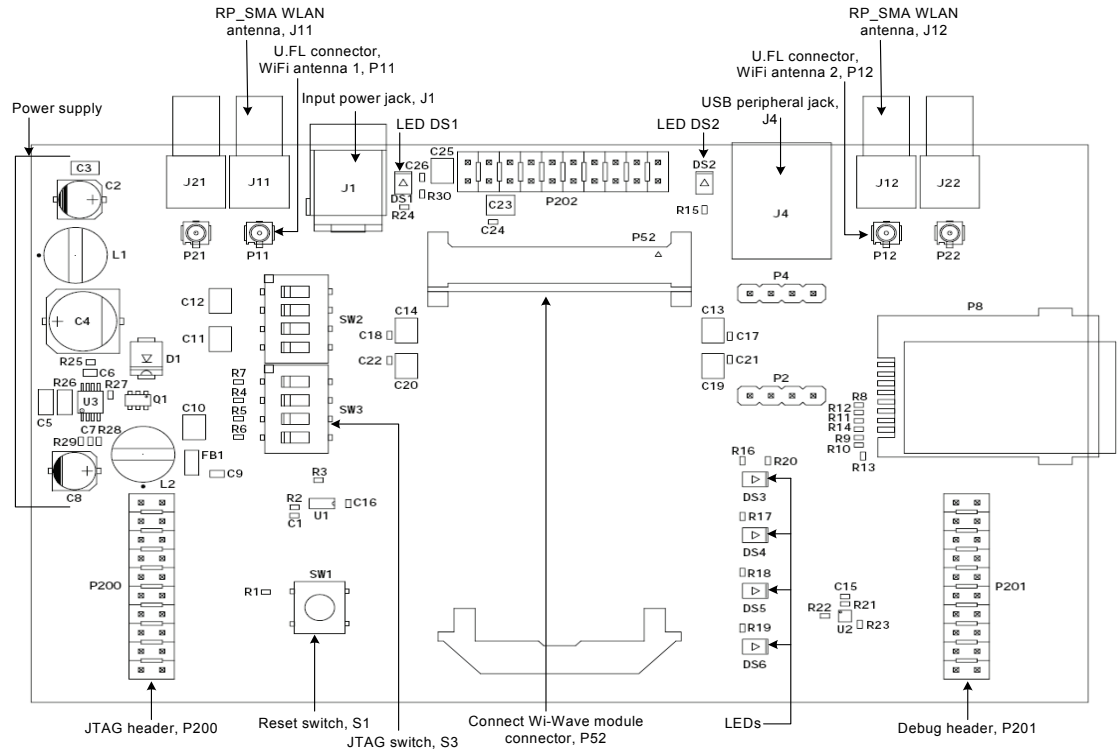
The development board is designed for product evaluation and development purposes. In addition to the Connect Wi-Wave connector, the development board provides several breakout connectors and interfaces.

What's on the development board

Features

- Connect Wi-Wave connector
- Pushbutton reset switch and under voltage reset logic
- External USB Type B connector USB peripheral interface
- Additional signal headers for user access
- Two U.FL RP-SMA antenna connectors
- -30°C to +75°C ambient operating temperature
- RoHS compliant design

The development board

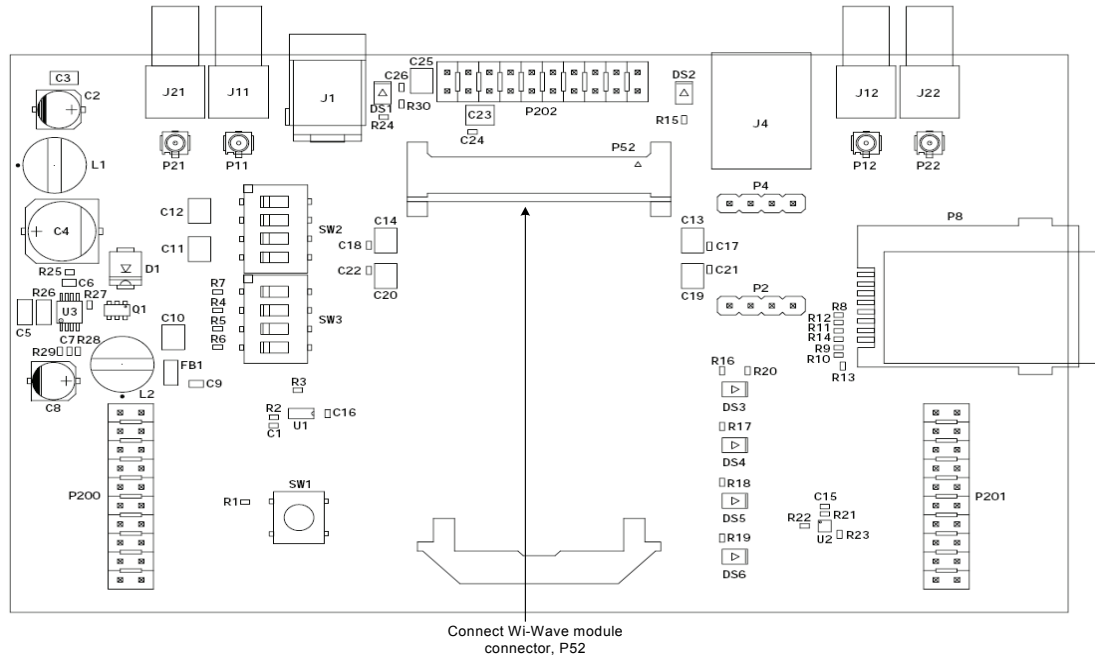


Unpopulated components

There are components on the development that currently are not populated. Do not use these components:

- P2, SMBus breakout header
- P4, USB breakout header
- P202, PCIe breakout header
- P8, Cellular SIM Card socket
- P21 and P22, Cellular Antenna 1 and Cellular Antenna 2 U.FL connectors
- J21 and J22, Cellular Antenna 1 and Cellular Antenna 2 SMA connectors
- SW2 switch
- Resistors R10 and R11

Connect Wi-Wave module connector, P52



Place the Connect Wi-Wave module into the connector and support bracket, P52, on the development board.

The Connect Wi-Wave module connector is a 52-pin connector that conforms to the PCI Express Mini Card Electromechanical Specification, Rev. 1.1, with additional non-standard connections (to the reserved pins on the standard connector). All the non-standard connections are routed through switches:

- When the switches are off (default), the development board fully complies with the PCI Express Mini Card Electrical Specification.
- When the switches are closed, the development board provides access to the additional signals. Note that these signals are reserved and not intended for user applications.

Pinout

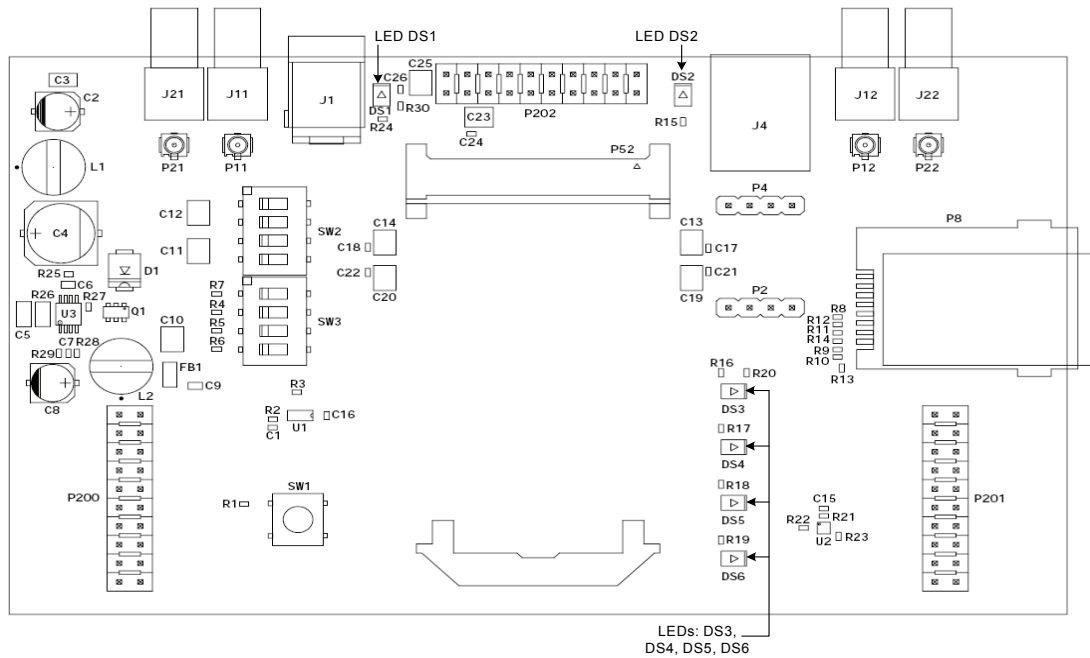
Note: Signal direction w.r.t PCIe Mini Card.

Pin	Type	Signal	Pin	Type	Signal
1	n/a	No connect	2	In	Vcc_3.3
3	n/a	No connect	4	In	GND
5	n/a	No connect	6	n/a	No connect
7	n/a	No connect	8	Out	UIM_PWR (C1)
9	In	GND	10	I/O	UIM_DATA (C7)

ABOUT THE DEVELOPMENT BOARD*Connect Wi-Wave module connector, P52*

Pin	Type	Signal	Pin	Type	Signal
11	n/a	No connect	12	Out	UIM_CLK (C3)
13	n/a	No connect	14	Out	UIM_RESET (C2)
15	In	GND	16	Out	UIM_Vpp (C6)
Key	Key	Key	Key	Key	Key
17	I/O	UIM C8	18	In	GND
19	I/O	UIM C4	20	In	W_DISABLE#
21	In	GND	22	In	PERST#
23	n/a	No connect	24	n/a	No connect
25	n/a	No connect	26	In	GND
27	In	GND	28	n/a	No connect
29	In	GND	30	n/a	No connect
31	n/a	No connect	32	n/a	No connect
33	n/a	No connect	34	In	GND
35	In	GND	36	I/O	USB_D-
37	n/a	No connect	38	I/O	USB_D+
39	n/a	No connect	40	In	GND
41	n/a	No connect	42	Out	LED_WWAN#
43	n/a	No connect	44	Out	LED_WLAN#
45	n/a or In	No connect or JTAG_TCK	46	Out	LED_WPAN#
47	n/a or In	No connect or JTAG_TMS	48	n/a	No connect
49	n/a or Out	No connect or JTAG_TDO	50	In	GND
51	n/a or In	No connect or JTAG_TDI	52	In	Vcc_3.3

LEDs



LED DS1

The switching regulator is adjusted to output $+3.3V_{DC} \pm 5\%$ or better. LED DS1 lights up when the regulator outputs $+3.3V$ power. See “Power supply” on page 21 for more information.

LED DS2

LED DS2 lights up when the host system supplies power over the USB bus. This LED indicates that the host platform has recognized the attachment of a USB peripheral device on the USB bus. See “USB peripheral interface” on page 23 for more information.

Debug (signal) breakout header LEDs

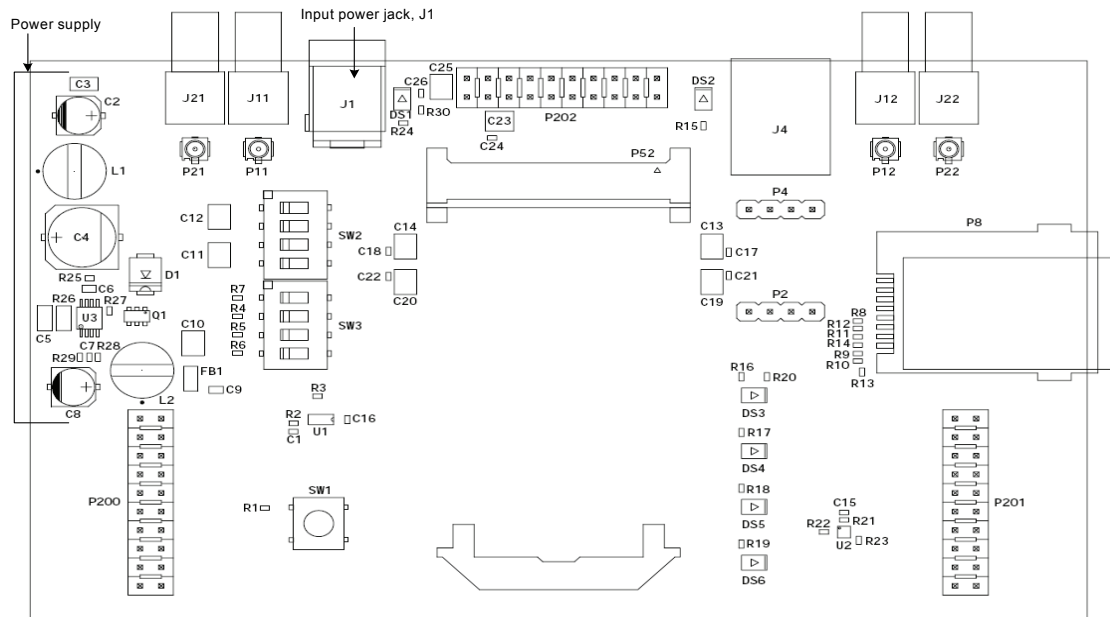
Four LEDs are associated with the debug (signal) breakout header:

- **DISABLE, DS3:** Lights up when the W_DISABLE# signal is asserted.
- **WAN, DS4:** Reserved for future use.
- **LAN, DS5:** Lights up when the module drives the LED_WLAN# signal.
- **PAN, DS6:** Reserved for future use.

See “Debug breakout header, P201” on page 24 for more information.

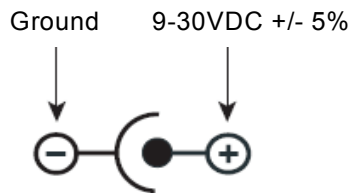
Power supply

The development board provides a 3.3V_{DC} switching power supply. Either a bench power supply or an AC wall adapter supplies input power to the development board. The required input voltage range is 9-30V_{DC}.



Input power jack, J1

The input power jack, J1, is a barrel connector that accepts 9-30 VDC. The power jack is labeled J1 on the development board. This figure schematically represents the power jack's polarity:

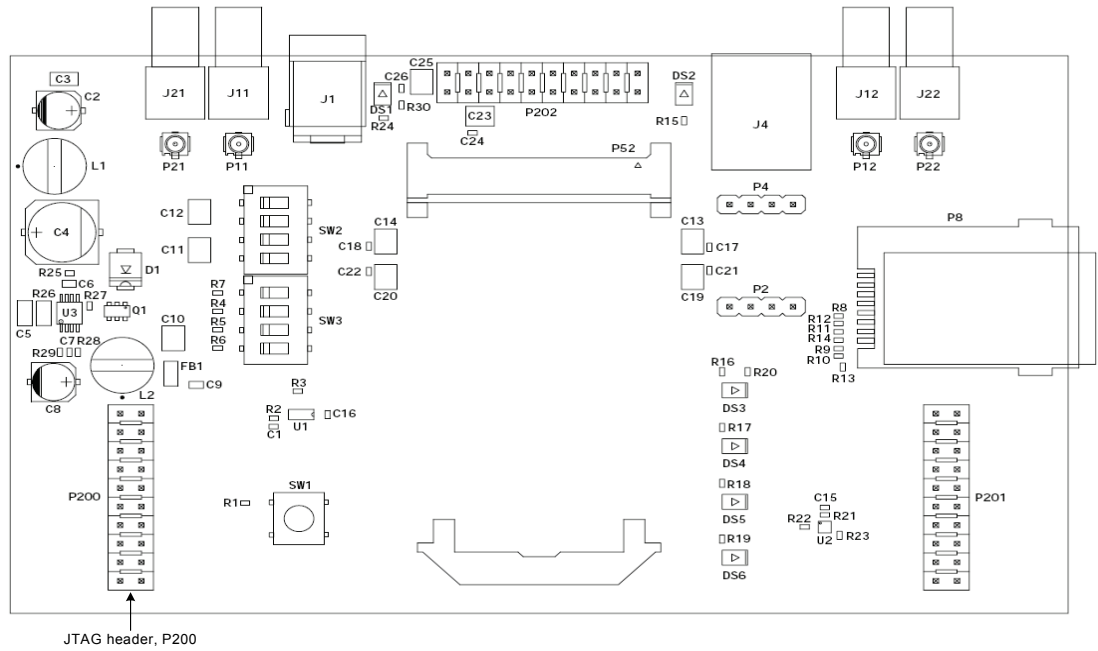


Input power supply

The output current of this regulator is limited to 3 amps and the Connect Wi-Wave module draws no more than 1.5 amps. Using these values as a guideline, and using an 80% efficiency for the switching regulator, the input power supply should be rated to provide at least 6 watts of power.

Important: The development board does not use USB power. You must always use the input power jack, J1, to power the development board.

JTAG

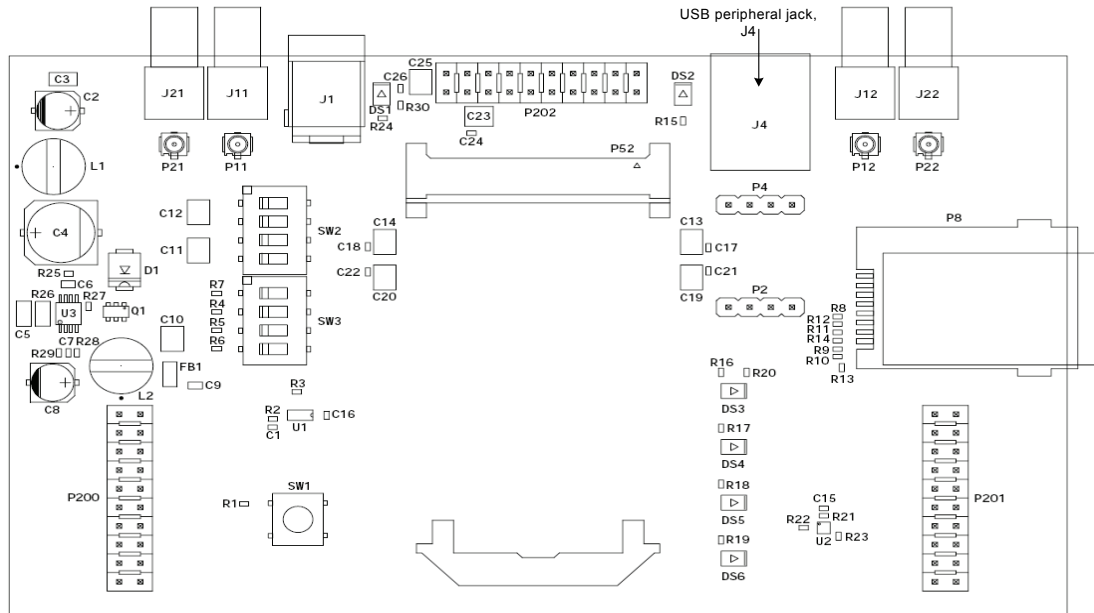


Pinout

The development board provides a 20-pin JTAG header, P200. The pins are allocated as shown:

Pin	Signal	Pin	Signal
1	+3.3V	2	+3.3V
3	No connect	4	GND
5	JTAG TDI	6	GND
7	JTAG TMS	8	GND
9	JTAG TCK	10	GND
11	No connect	12	GND
13	JTAG TDO	14	GND
15	RST# TRIGGER	16	GND
17	No connect	18	GND
19	No connect	20	GND

USB peripheral interface



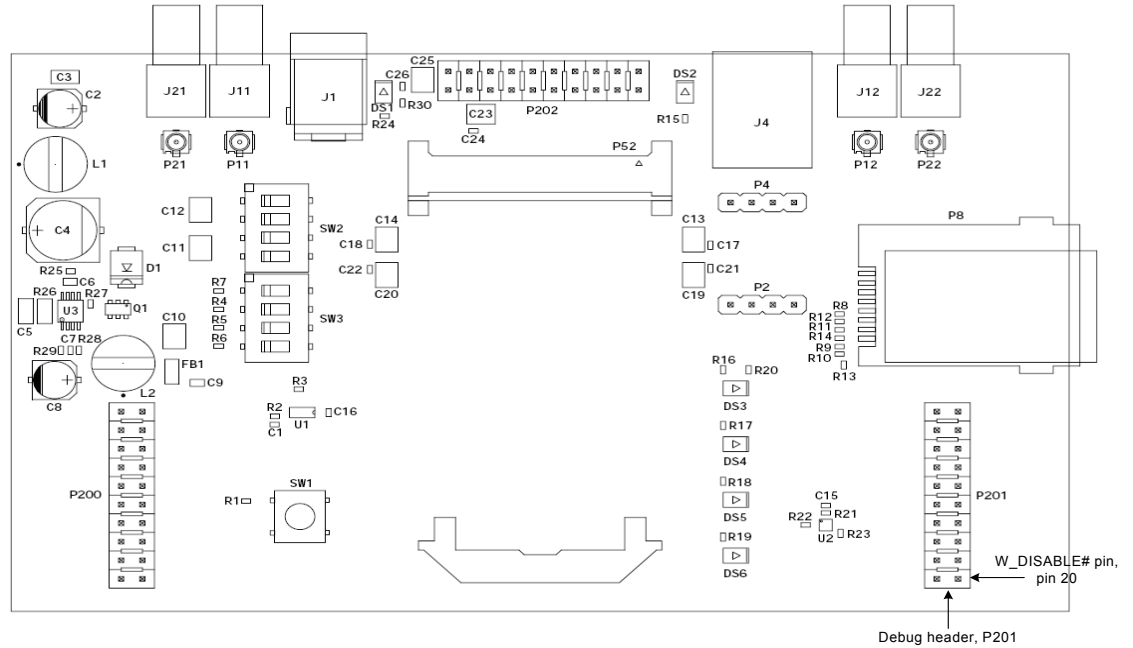
USB peripheral jack, J4

The USB Type B connector, J4, is the primary communications interface to the development board. The USB bus is routed from the USB peripheral jack to the appropriate module connector pins.

Important

The development board does not use USB power. You must always use the input power jack, J1, to power the development board.

Debug breakout header, P201



The debug breakout header’s primary purpose is to provide access to the W_DISABLE# signal. The W_DISABLE# signal usually is used as a hardware means to disable RF transmissions from the module without software intervention.

Debug breakout header signal map

Pin	Type	Signal	Pin	Type	Signal
1	n/a	No connect	2	Monitor pt	Vcc_3.3
3	n/a	No connect	4	Monitor pt	LED_WWAN#
5	n/a	No connect	6	Monitor pt	GND
7	n/a	No connect	8	Monitor pt	LED_WLAN#
9	Monitor pt	GND	10	Monitor pt	GND
11	n/a	No connect	12	Monitor pt	LED_WPAN#
13	n/a	No connect	14	Monitor pt	GND
15	n/a	No connect	16	Monitor pt	RESET#
17	n/a	No connect	18	Monitor pt	GND
19	Monitor pt	GND	20	Input	W_DISABLE#

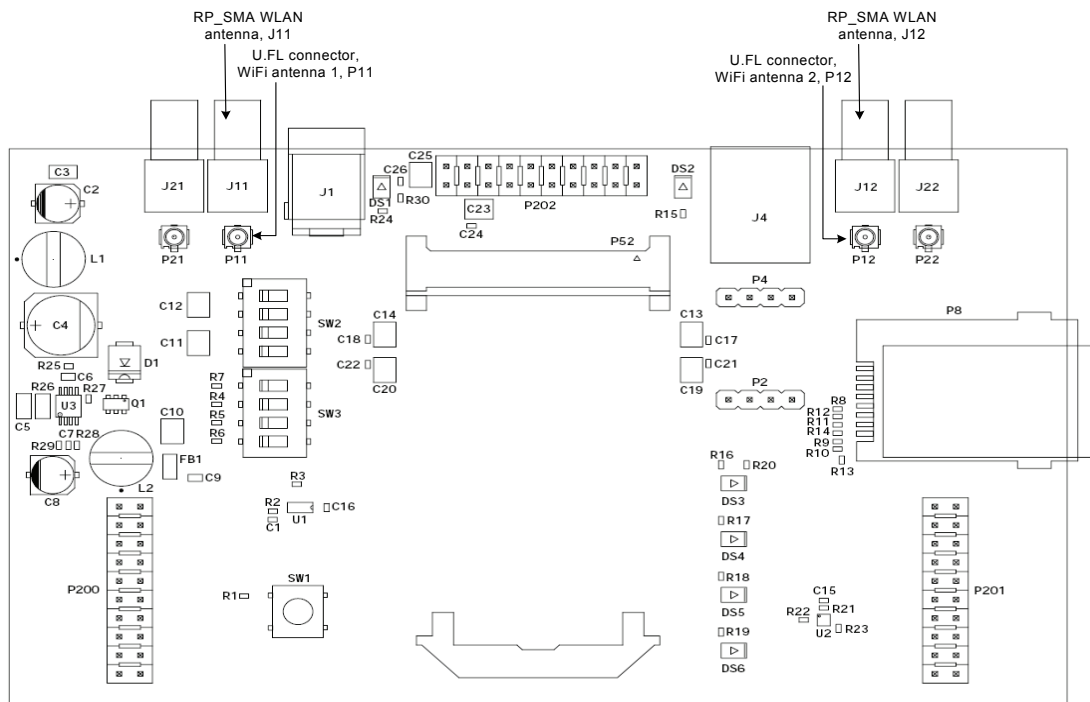
W_DISABLE# signal

The active low W_DISABLE# signal is on pin 20 of the signal breakout header. GND signals are positioned adjacent to the DISABLE# signal on pins 18 and 19. To assert

the DISABLE# signal to the module, place a jumper between either pins 18 and 20 or pins 19 and 21.

As an alternative, you can drive this pin with a low voltage TTL or CMOS driver. When asserted, DISABLE# lights the DISABLE LED, DS3.

U.FL and RP-SMA connectors



U.FL connectors

The development board has two U.FL connectors that pair with two RP-SMA connectors. WiFi antenna 1 (P11) pairs with RP-SMA connector J11; WiFi antenna 2 (P12) pairs with RP-SMA connector J12.

U.FL cables

The development kit includes two U.FL-to-U.FL cables that can be used to connect the module and development board. The number of cables used depends on whether one antenna is used to transmit and receive or two antennas are used (diversity receive).

- 1 Attach one end of the cable(s) to the U.FL connector(s) on the Connect Wi-Wave module.

ABOUT THE DEVELOPMENT BOARD

U.FL and RP-SMA connectors

- 2 Attach the other end of the cable(s) to the U.FL connector(s) on the development board.
- 3 Attach the RP-SMA antenna to the appropriate RP-SMA connector on the development board.

RP-SMA connectors

If you are using only one cable/connection, be sure you attach the RP-SMA antenna to the correct connector:

- If the cable is connected to U.FL connector P11, or WiFi antenna 1, attach the RP-SMA antenna to J11.
- If the cable is connected to U.FL connector P12, or WiFi antenna 2, attach the RP-SMA antenna to J12.

For more information

For information about the antenna(s) and using it, see Chapter 3, “Using the Antenna.”

Using the Antenna

The Digi Connect Wi-Wave development board supports three types of antennas:

- 29000095 ANT, WHIP 2.4-2.5 GHz Dipole (2.0000)
- 29000146 ANT, WHIP 2.4 GHz Dipole 5 dBi (2.0000)

Attach the U.FL-to-U.FL cables, provided in the development kit, to both the module and the development board. There are two cables included; whether you use one cable or both depends on how you set up your antenna(s).

Be sure that the antenna you use complies with the regulatory requirements of your region. In North America, for example, you can operate only with antennas approved by Digi International, Inc., or antennas matching the specifications of Digi-approved antennas.

Necessary Conditions for Integration

The following conditions are necessary for integration:

- The antenna must be installed such that 20 cm is maintained between the antenna and users for all installations.
- The transmitter module may not be co-located with any other transmitter or antenna.
- The Module is approved using the FCC “unlicensed modular transmitter approval” method; therefore, the module must be used with the originally-approved antennas only. As long as you meet these three conditions, further transmitter testing will not be required. However, you are still responsible for testing your end-product for any additional compliance requirements associated with this module installation (e.g., digital device emissions, PC peripheral requirements, etc.).

Note: In the event that any of these conditions cannot be met (for example portable configurations, co-location with another transmitter, or use of a different antenna), then the FCC authorization is no longer considered valid, and you are unable to use the FCC ID on the final product. In these circumstances, you will be responsible for re-evaluating the end product (including the transmitter) and obtaining a separate FCC authorization.

Connect Wi-Wave antenna configurations

The Connect Wi-Wave can transmit data or receive data, but not at the same time. Software controls the transmit/receive functionality as well as the antenna switch. You have the option of using two antennas (required for diversity receive) or one antenna to transmit and receive data.

- **Using two antennas:** The Connect Wi-Wave transmits on one antenna and receives on the other antenna (at separate times) without changing the antenna switch. Use both cables.
- **Using one antenna:** The Connect Wi-Wave transmits on one antenna, software toggles the antenna switch, then the Connect Wi-Wave receives on the same antenna. Use only one cable, which can be connected to either U.FL connector on the module and on the development board.

U.FL cable and RP-SMA connection

Use these connection steps with the RP-SMA antennas: 29000095 – 2.4-2.5 GHz Dipole and 29000146 – 2.4 GHz Dipole 5.5 dBi:

- 1 Attach one end of the cable(s) to the U.FL connector(s) (P1, P2) on the Connect Wi-Wave module.
- 2 Attach the other end of the cable(s) to the U.FL connector(s) (P11, P12) on the development board.
- 3 Attach the RP-SMA antenna to the appropriate RP-SMA connector (J11, J12) on the development board. If you are using only one cable/connection, be sure you attach the RP-SMA antenna to the correct connector:
 - If the cable is connected to U.FL connector P11, or WiFi antenna 1, attach the RP-SMA antenna to J11.
 - If the cable is connected to U.FL connector P12, or WiFi antenna 2, attach the RP-SMA antenna to J12.

General information

The module uses the same antennas to transmit and receive the 802.11b/g RF signal. An antenna switch is required to isolate the transmit signal from the receive signal. The antenna switch works by alternately connecting the antennas to either the transceiver PA transmit output or the transceiver receive input. To support this antenna sharing scheme, the module operates in half-duplex mode; receive and transmit operations do not occur at the same time.

Antenna switch

The antenna switch is a digitally controlled 2.4 GHz, 50 ohm, multi-function solid state switch, controlled by software.

- The receive port can be switched between antenna 1 or antenna 2.
- The transmit port can be switched between antenna 1 or antenna 2.

The switch can handle >28dBm of signal on the transmit port. The insertion loss of the antenna switch is <0.5dB and the receive to transmit port isolation is >23dB.

Antenna specifications: 2 dBi Dipole

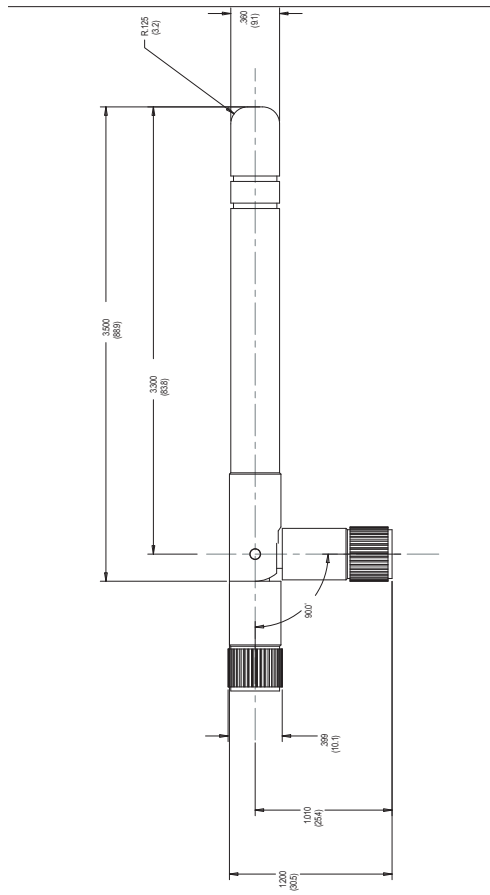
Attributes

Attribute	Property
Frequency	2.4~2.5 GHz
Power output	2W
DB gain	2 dBi
VSWR	< or = 2.0
Dimension	108.5 mm x 10.0 mm
Weight	10.5g
Temperature rating	-40°~+80° C
Part number	DG-ANT-20DP-BG

Dimensions

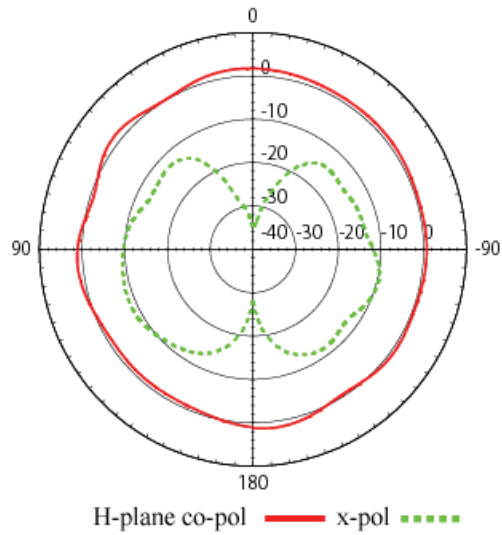
Note: Dimensions are provided for reference purposes only. The actual antenna might vary.

USING THE ANTENNA
Antenna specifications: 2 dBi Dipole



**Antenna strength
(radiation
pattern) diagram**

This diagram shows the strength of the signal received by the whip antenna on both a horizontal and vertical plane. The diagram shows the magnetic field when the antenna is in a vertical position. The red solid line represents the horizontal plane and the green dotted line represents the vertical plane. You can see in the illustration that at 90 degrees, the signal strength is 0 (as expected).



Antenna specifications: 5.5 dBi Dipole

Attributes

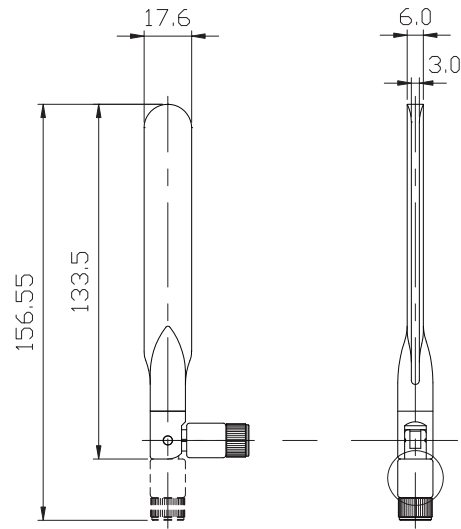
Attribute	Band 1	Band 2
Frequency	2.4~2.5 GHz	5.15~5.35 GHz 5.725~5.85 GHz
VSWR	2.0 max	
Return loss	-10 dB max	
DB gain	5 dBi (Typ)	
Polarization	Linear	
Power output	1W	
Dimension	See measurements in the drawing after the table	
Operating temperature	-20°~+65°C	
Storage temperature	-20°~+65°C	
Part number	DG-ANT-55DP-AG	

Dimensions

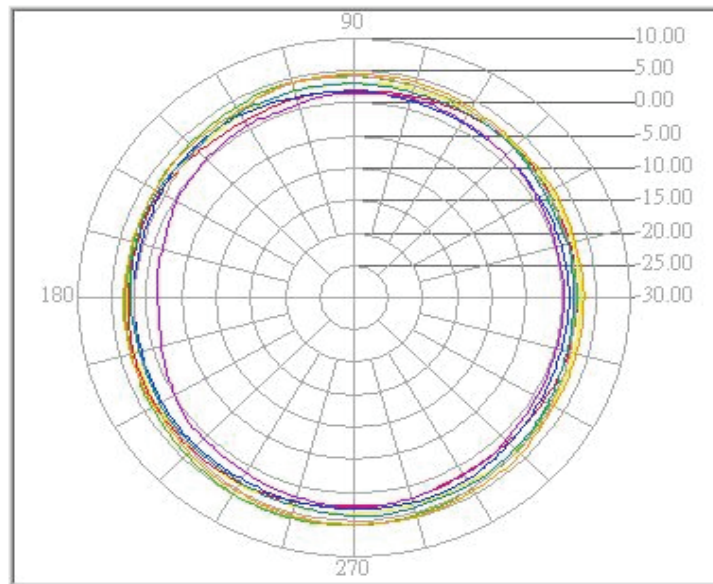
Note: Dimensions are provided for reference purposes only. The actual antenna might vary.

USING THE ANTENNA

Antenna specifications: 5.5 dBi Dipole



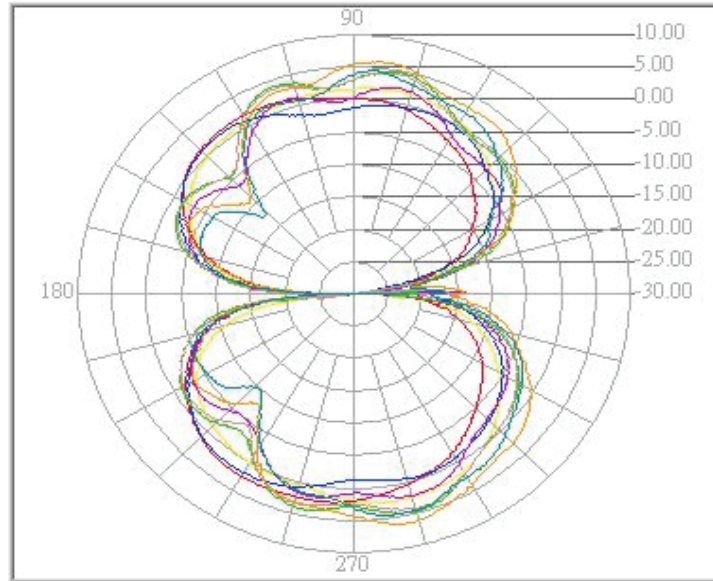
**Radiation
pattern: H-Plane
(2.0 and 5.0 GHz)**



Color	Freq (MHz)	Peak (dBi)	Angle (o)	Avg (dBi)
Yellow	2400.0	3.39	257.68	2.98
Red	2450.00	3.17	214.74	2.37
Blue	2500.00	2.79	288.0	1.96
Purple	5150.00	2.25	280.42	0.82
Green	5200.00	5.23	252.63	2.71

Color	Freq (MHz)	Peak (dBi)	Angle (o)	Avg (dBi)
Light brown	5250.00	4.51	272.84	3.16
Orange	5750.00	5.03	267.79	3.88
Aqua	5850.00	3.83	276.63	2.74

**Radiation
 pattern: E-plane
 (2.0 and 5.0 GHz)**



Color	Freq (MHz)	Peak (dBi)	Angle (o)	Avg (dBi)
Yellow	2400.0	2.60	283.22	-1.10
Red	2450.00	2.57	240.42	-1.36
Blue	2500.00	1.92	237.27	-1.78
Purple	5150.00	2.37	78.67	-1.91
Green	5200.00	4.80	79.30	0.32
Light brown	5250.00	4.49	79.93	-0.01
Orange	5750.00	6.34	283.85	1.08
Aqua	5850.00	4.67	283.22	-0.46

End Product Labeling

This transmitter module is authorized for use only in devices where the antenna may be installed, such that 20 cm may be maintained between the antenna and users (e.g., routers, wireless ASDL modems, and similar equipment). Label the final end product in a visible area with the following statement: "Contains Wi-Wave FCC ID: MCQ-50M1380."

Note: For Canadian users, use the following statement: "Contains Wi-Wave IC: 1846A-50M1380."

End User Manual: RF Exposure Statements

The end user manual must include the following information in a prominent location:

"IMPORTANT NOTE: To comply with FCC RF exposure compliance requirements, the antenna used for this transmitter must be installed to provide a separation distance of at least 20 cm from all persons and must not be co-located or operating in conjunction with any other antenna or transmitter."

Additional End User Information

Please do not provide the end user with any instructions on how to remove or to install the Connect Wi-wave module.

Appendix A: Specifications

This appendix provides Digi Connect Wi-Wave module specifications as well as safety statements and antenna specifics.

Environmental specifications

The module board assembly meets all functional requirements when operating in this environment:

- Operating temperature: -30°C to +75°C???
- Storage temperature: -40°C to +125°C
- Relative humidity: 5% to 95%, non-condensing
- Altitude: 0 to 12,000 feet

Mechanical dimensions

- Length: 2.006 inches (50.95 mm)
- Width: 1.181 inches (30.00 mm)
- Height: 0.187 inches (4.75 mm)
- Top: 0.095 inches (2.40 mm)
- Bottom: 0.053 inches (1.35 mm)
- Weight: 8 grams (approximately)

Power requirements

Parameter	Limits		
Input voltage (Vcc)	3.3V±9% (3.00V to 3.60V)		
Input current	750mA max		
Input low voltage	0.0V	<V _{IL}	<0.3*Vcc
Input high voltage	0.7*Vcc	<V _{IH}	<Vcc
Output low voltage	0.0V	<V _{OL}	<0.4V
Output high voltage	Vcc-0.4V	<V _{OH}	<Vcc

RF exposure statement

The Connect Wi-Wave module complies with RF exposure limits for humans as called out in RSS-102. It is exempt from RF evaluation based on its operating frequency of 2.4 GHz, and effective radiated power less than the three watt requirement for a mobile device (>20 cm separation) operating at 2.4 GHz.

Safety statements

To avoid contact with electrical current:

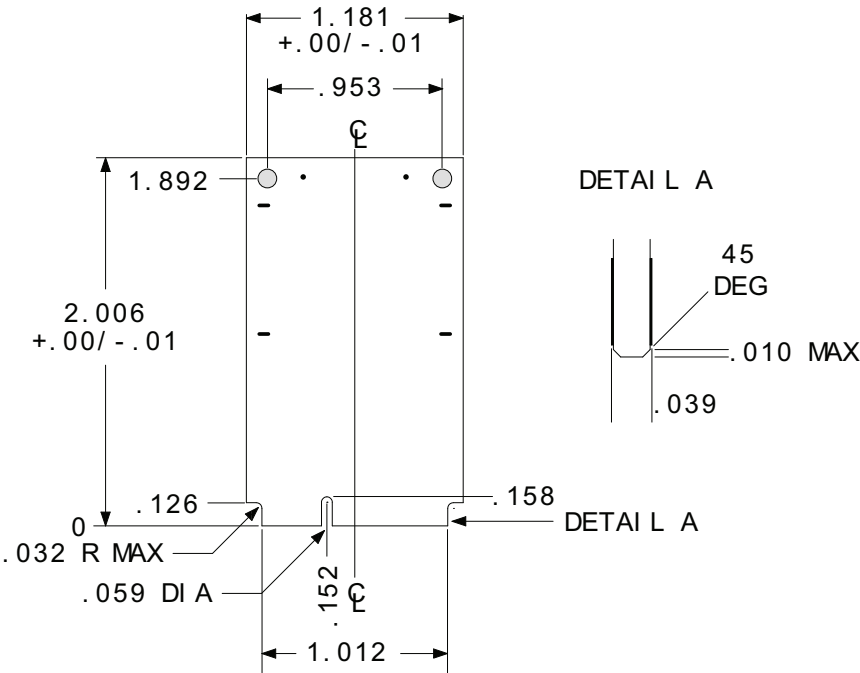
- Never install electrical wiring during an electrical storm.
- Use a screwdriver and other tools with insulated handles.
- Wear safety glasses or goggles.
- Installation of inside wiring may bring you close to electrical wire, conduit, terminals and other electrical facilities. Extreme caution must be used to avoid electrical shock from such facilities. Avoid contact with all such facilities.
- Protectors and grounding wire placed by the service provider must not be connected to, removed, or modified by the customer.
- Do not touch or move the antenna(s) while the unit is transmitting or receiving.
- Do not hold any component containing a radio such that the antenna is very close to or touching any exposed parts of the body, especially the face or eyes, while transmitting.
- Do not operate a portable transmitter near unshielded blasting caps or in an explosive environment unless it is a type especially qualified for such use.

Any external communications wiring you may install needs to be constructed to all relevant electrical codes. In the United States, this is the National Electrical Code Article 800. Contact a licensed electrician for details.

Module and development board dimensions

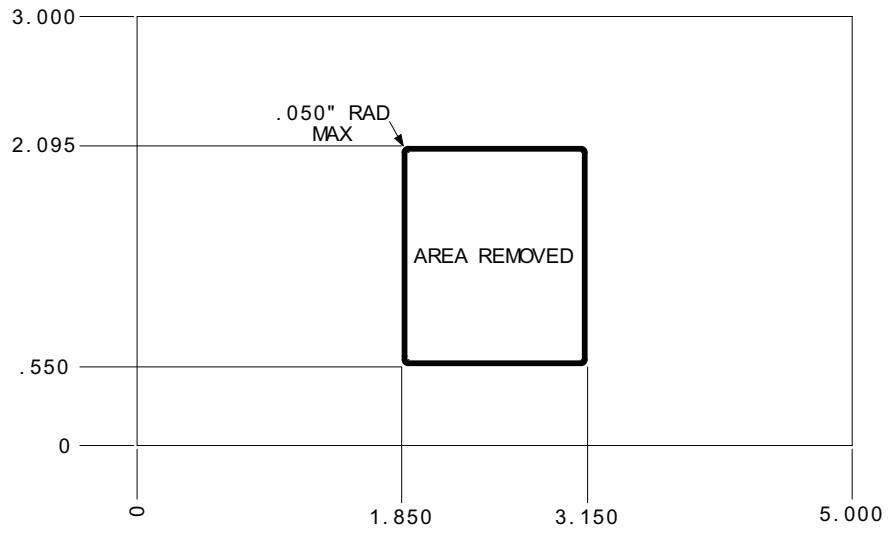
Module dimensions

Note: The measurements in this drawing are in inches.



**Development
board dimensions**

Note: The measurements in this drawing are in inches.



Appendix B: Certifications

The Connect Wi-Wave products comply with the standards cited in this section.

FCC Part 15 Class B

Radio Frequency Interface (RFI) (FCC 15.105)

The Connect Wi-Wave embedded module has been tested and found to comply with the limits for Class B digital devices pursuant to Part 15 Subpart B, of the FCC rules. These limits are designed to provide reasonable protection against harmful interference in a residential environment. This equipment generates, uses, and can radiate radio frequency energy, and if not installed and used in accordance with the instruction manual, may cause harmful interference to radio communications. However, there is no guarantee that interference will not occur in a particular installation. If this equipment does cause harmful interference to radio or television reception, which can be determined by turning the equipment off and on, the user is encouraged to try and correct the interference by one or more of the following measures:

- Reorient or relocate the receiving antenna.
- Increase the separation between the equipment and receiver.
- Connect the equipment into an outlet on a circuit different from that to which the receiver is connected.
- Consult the dealer or an experienced radio/TV technician for help.

Labeling Requirements (FCC 15.19)

This device complies with Part 15 of FCC rules. Operation is subject to the following two conditions: (1) this device may not cause harmful interference, and (2) this

CERTIFICATIONS

FCC Part 15 Class B

device must accept any interference received, including interference that may cause undesired operation.

If the FCC ID is not visible when installed inside another device, then the outside of the device into which the module is installed must also display a label referring to the enclosed module FCC ID. This exterior label can use wording such as the following: *Contains Transmitter Module FCC ID: MCQ-50M1380, IC: 1846A-50M1380.*

Modifications (FCC 15.21)

Changes or modifications to this equipment not expressly approved by Digi may void the user's authority to operate this equipment.

Industry Canada

This digital apparatus does not exceed the Class B limits for radio noise emissions from digital apparatus set out in the Radio Interference Regulations of the Canadian Department of Communications.

Le present appareil numerique n'emet pas de bruits radioelectriques depassant les limites applicables aux appareils numeriques de la class B prescrites dans le Reglement sur le brouillage radioelectrique edicte par le ministere des Communications du Canada.

Declaration of Conformity

(In accordance with FCC Dockets 96-208 and 95-19)

Manufacturer's Name: Digi International
Corporate Headquarters: 11001 Bren Road East
Minnetonka MN 55343
Manufacturing Headquarters: 10000 West 76th Street
Eden Prairie MN 55344

Digi International declares, that the product:

Product Name: Connect Wi-Wave
Model Numbers: 50001380-01

to which this declaration relates, meets the requirements specified by the Federal Communications Commission as detailed in the following specifications:

- Part 15, Subpart B, for Class B equipment
- FCC Docket 96-208 as it applies to Class B personal
- Personal computers and peripherals

The product listed above has been tested at an External Test Laboratory certified per FCC rules and has been found to meet the FCC, Part 15, Class B, Emission Limits. Documentation is on file and available from the Digi International Homologation Department.

International EMC Standards

The Connect Wi-Wave meets the following standards:

Standards	
Emissions	EN 55022:2006 Class B
	EN 61000-3-2 and EN61000-3-3
	EN 300 328 V1.6.1 (2004-11)
	AS/NZS CISPR 22:2006
	ICES-003, Class B
FCC Part 15 Subpart B Class B	
	FCC Part 15 Subpart C Section 15.247 (FCC ID: MCQ-50M1380)
	IC RSS 210 Issue 6 and RSS GEN Issue 1 (IC: 1846A-50M1380)
Immunity	EN 55024
	EN 301 489-17 V1.2.1: (2002-08)
Safety	UL 60950-1
	ICE/EN 60950-1 (European Union)
	CSA C22.2, No. 60950-1

Index

Numerics

- 2 dBi Dipole antenna 29–31
 - attributes 29
 - dimensions 29
 - strength (radiation pattern) diagram 30
- 5.5 dBi Dipole antenna 31–33
 - attributes 31
 - dimensions 31
 - radiation pattern, E-plane 33
 - radiation pattern, H-Plane 32
- 802.11b/g modes and channels 12

A

- antenna switch 29
- antennas
 - about 27–34
 - configurations 28
 - specifications
 - 2 dBi Dipole 29
 - 5.5 dBi Dipole 31
 - switch 29
 - types 27
 - U.FL cable and RP-SMA connection 28

C

- certifications 41

D

- debug breakout header, P201 24
- development board
 - about 15–26

- debug breakout header 24
- dimensions 40
- features 15
- JTAG 22
- layout 16
- LEDs 19
- module connector, P52 17
- power supply 21
- reset functionality 20
- RP-SMA connectors 25
- switches 20
- U.FL connectors 25
- USB peripheral interface 23
- dimensions
 - development board 40
 - module 39
- DISABLE signal 13
- DS1 (LED) 19
- DS2 (LED) 19
- DS3, DISABLE LED 19
- DS4, WAN LED 19
- DS5, LAN LED 19
- DS6, PAN LED 19

E

- End 34
- environmental specifications 37

F

- features
 - development board 15
 - module 9

G

General 29

I

input power jack, J1 21

input power supply 21

J

J1, input power jack 21

J4, USB peripheral jack 23

JTAG header, P200 22

L

LED DS1 19

LED DS2 19

LED DS3, DISABLE 19

LED DS4, WAN 19

LED DS5, LAN 19

LED DS6, PAN 19

LEDs

debug (signal) breakout header 19

development board 19

module 13

M

mechanical dimensions, module 37

module

802.11b/g modes and channels 12

about 9–13

definition 9

dimensions 39

environmental specifications 37

features 9

layout 10

LEDs 13

mechanical dimensions 37

module edge connector 10

power 13

power requirements 38

primary interface 9

reset generator 13

specifications 37

USB peripheral controller 11

voltage monitor 13

voltage regulators 12

module connector, P52 17

module edge connector 10

pinout 10

P

P200, JTAG header 22

P201, debug breakout header 24

power

development board 21

module 13

power requirements, module 38

R

reset functionality 20

reset generator 13

RESET# 20

RF exposure statement 38

RP-SMA connection 28

RP-SMA connectors 25

S

safety statements 38

specifications, module 37

switches 20

U

U.FL cable

and RP-SMA connection 28

U.FL cables 25

U.FL connectors 25

USB peripheral controller 11

USB peripheral interface 23

USB peripheral jack, J4 23

V

voltage monitor 13, 20

voltage regulators 12

W

W_DISABLE# signal 24