



1.0" x 0.5"

FILL IN ONLY THE APPLICABLE LABEL INFORMATION (To include layout, lines, barcodes, etc.) :

ENGINEERING

1) Text Label Part Number: 95012059, 2) Text Label Revision: A,

3) Digi Part Number: 50001380-01,

&

4) General Information (i.e. Description, need for serial numbers, barcodes by type, etc.):

MARKETING

FCC ID:MCA-50M1380
 IC:1846A-50M1380
 PN: 50001380-01 ??

RoHS

||||| | ||||| | ||||| ||| | | | ||||| YYWW
 00409D:XXXXXX

Barcodes are 3 of 9 or 128 .
MAC Address .

Refer to user Manual 9501xxxx ?

5) Label Stock Digi Part Number: 28000059.

6) Regulatory Symbol: FCC.

OPS

** When Completed, Place A "PRINTED" Label Over The Diagram **

A	103584	New Release	GO 01/05/07			
REV	ECO/NPRO	DESCRIPTION OF CHANGE	BY:	CKD:	APPR:	DATE:
		TITLE: Text,PNMAC Addr 50001380-01				
		DIGI INTERNATIONAL			DRAWING NO. - REV	
					95012059 A	

FCC ID:MCQ-50M1380
IC:1846A-50M1380
PN: 50001380-01 QQ

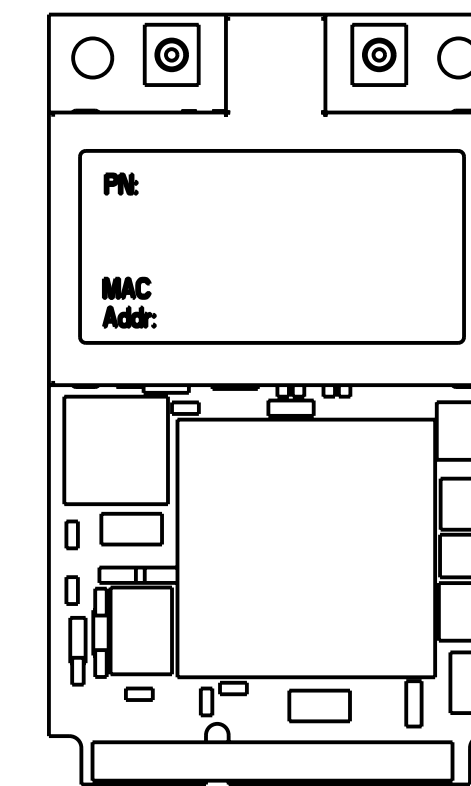
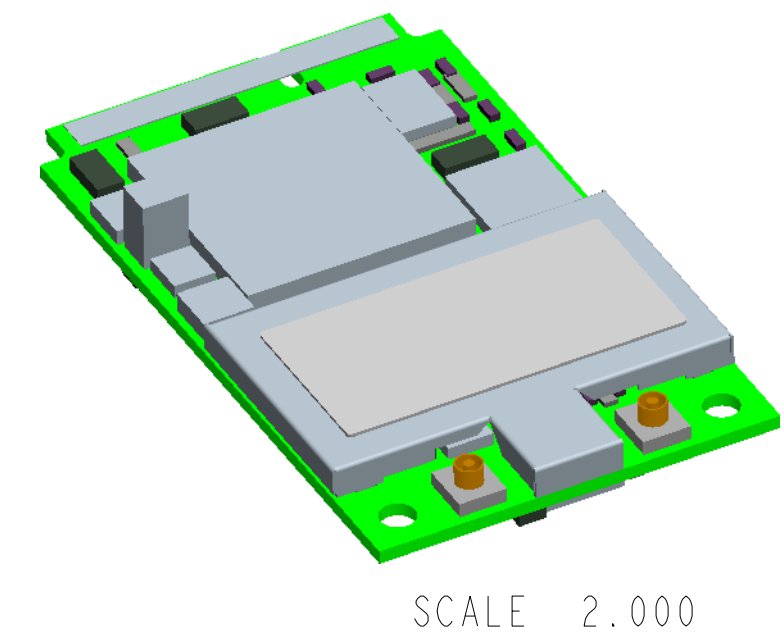
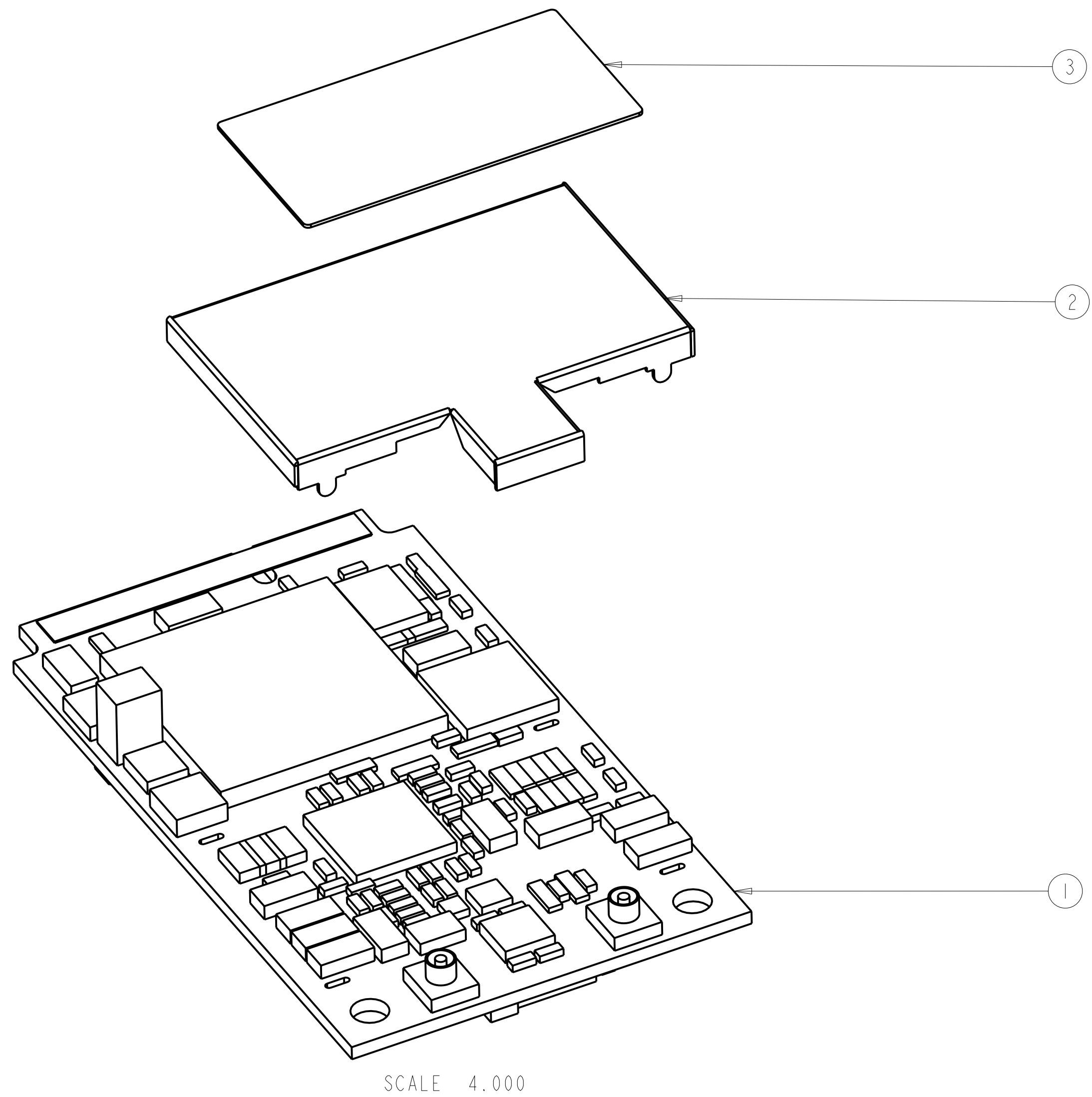
RoHS

MAC
Addr: 00409D123ABF

0719

Refer to user manual.95012059 A





SCALE 2.000

NOTES:

THIS DOCUMENT CONTAINS INFORMATION PROPRIETARY AND CONFIDENTIAL TO DIGI INTERNATIONAL INC. BY ACCEPTING DELIVERY, RECIPIENT AGREES TO RETAIN IT IN CONFIDENCE AND NOT DISCLOSE IT TO OTHERS NOR USE IT FOR ANY PURPOSE OTHER THAN THAT FOR WHICH IT WAS DELIVERED, AND TO PROMPTLY RETURN IT UPON REQUEST.

UNLESS OTHERWISE SPECIFIED ALL DIMENSIONS ARE IN INCHES... TOLERANCES ARE AS FOLLOWS: .XX +/- .02 .XXX +/- .010 ANGLES +/- 2° THIRD ANGLE PROJECTION 	A	103	NEW RELEASE	TJM	TJM	TJM	12-05-06
	REV	ECO	DESCRIPTION OF CHANGE	BY	CKD	APPR	DATE
	APPROVALS		DATE				
	DESIGNED	TJM	12-05-06				
MATERIAL		CHECKED	TJM	12-05-06	TITLE		
FINISH		ENGINEER	TJM	12-05-06	DWG, ASSY WI-WAVE		
DO NOT SCALE DRAWING		SCALE CODE	B	PART NO.	50001380-XX		REV
		SCALE	1.000	PRO/ENGINEER	SHEET 1 OF 1		

**Company Name Location
on Back of Board**

