

5. Panel label 503.00039.015 (19.05*5mm)



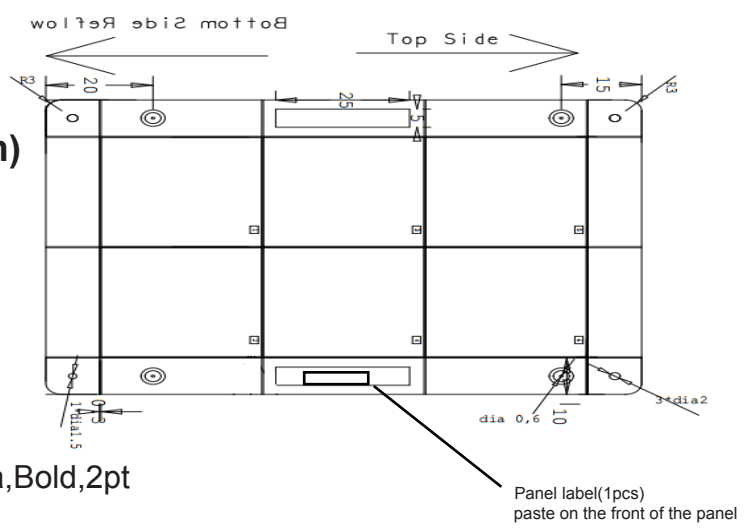
P:PCB label

F:Foxconn location

YMD:Year,month,day

SSSSS:serial number (00000-zzzzz)

Barcode:128 code, 2.54mm height, Font:Verdana,Bold,2pt



1. Date code define

1st Character Year Codes

Year	2006	2007	2008	2009	2010	2011	2012	2013	2014	2015	So on
Code	6	7	8	9	0	1	2	3	4	5	

2nd Character Month codes

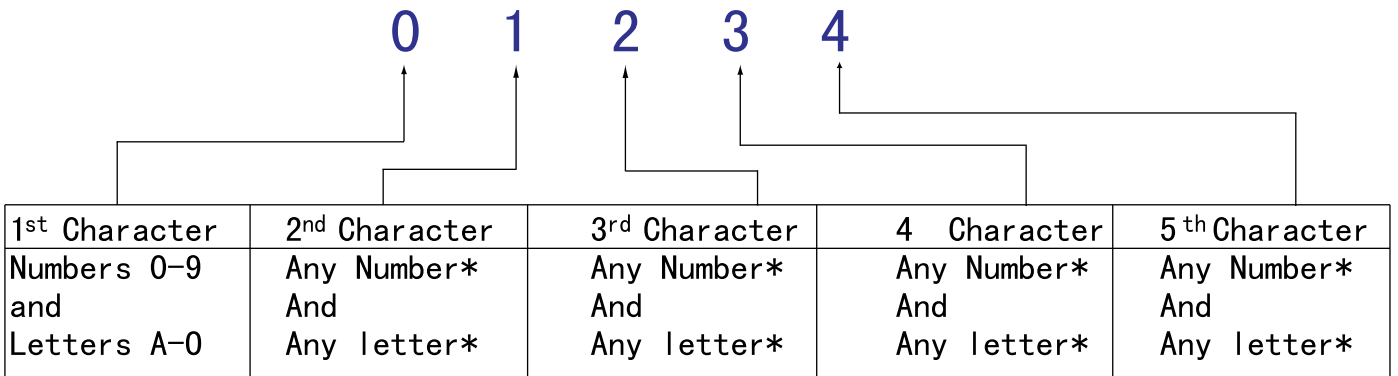
Month	January	February	March	April	May	June	July	August	September	October	November	December
Code	1	2	3	4	5	6	7	8	9	A	B	C

3rd Character Day Codes

Day	1 st	2 nd	3 rd	4 th	5 th	6 th	7 th	8 th	9 th	10 th	11 th	12 th	13 th	14 th	15 th	16 th	17 th	18 th	19 th
Code	1	2	3	4	5	6	7	8	9	A	B	C	D	E	F	G	H	I	J

Day	20 th	21 st	22 nd	23 rd	24 th	25 th	26 th	27 th	28 th	29 th	30 th	31 st
Code	K	L	M	N	O	P	Q	R	S	T	U	V

2. Serial number:



*2nd-4th characters will provide a unique serial number*為36進制

3. Unique Number

Six numeric character (0-9) used to uniquely identify



REV.	MARK	ECR/ECN NO.	DATE	UPDATE DESCRIPTION	SIGNATURE
00	N/A	N/A	17.09.27	First Release	Snow

一. Human readable (可讀部分):

- SN digital range (total 11digital):
SN(11 digits)=980xxxxxxx
980 Fixed
4th-11th digits - serial number (00000000-99999999) managed by FXN
- Part NO.: T77W980T00 (Fixed)
- MO:MO-VVSS
 - The first MO is the text
 - The second MO is Foxconn MO, follow Foxconn standard.
 - VV:the engineering version
(refer to Foxconn label Rev column in the cover of the MFG document)
 - SS:the version of A300/A400 product
(refer to Doc Rev. in the cover of MFG document)

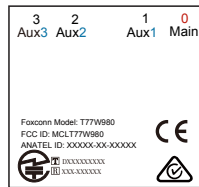
二. Scannable:

A. Barcode content:

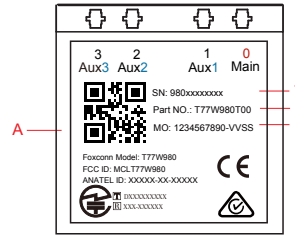
SN: 980xxxxxxx

Barcode type: QR code

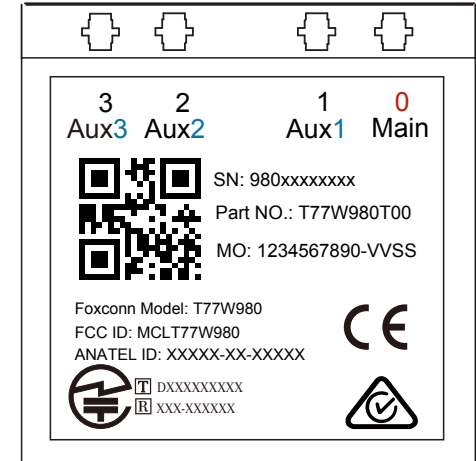
Size:8X8 mm



500.xxxxx.005



SCALE:1:1



SCALE:1:2

標籤製作粘貼方式/T77W980T00/01/2of3

MATERIAL (SPEC.)										SCALE	FOXCONN HON HAI PRECISION IND. CO., LTD. CNSBG			
FINISH										SHEET				
Select										1/1	PART NAME			
Dim.	Tol.	A	B	C	EPS	EPE	BAG	CTN	V	Label	UNIT	Shielding cover laser marking		
0~6	0.05	0.05	0.10	0.20	0.50	0.50	3.00	0.20	0.20		MM			
6~30	0.10	0.15	0.20	0.50	0.50	3.00	2.00	0.20	0.20		SIZE	MODEL	PART NO.	DESIGNED
30~120	0.15	0.20	0.30	0.50	0.50	5.00	2.00	0.25	0.25		A4	T77W980T00		Snow
120~300	0.20	0.30	0.40	1.00	1.00	10.00	3.00	0.30	0.30					
300~450	0.25	0.40	0.50	2.00	2.00	15.00	5.00	0.50	0.50					
450~600	0.30	0.50	0.60	3.00	3.00	20.00	5.00	0.80	0.80					
DRAFT TOLERANCE				± 0.2°			CRITICAL DIM. MARK		*					
											CUSTOMER MODEL	CUSTOMER PART NO.	APPROVED	
													Meredith	

Attachment:

Location Code

LOCATION	LOCATIONNAME
0	Hsinchu
1	Zhongshan
2	Futian
3	Tucheng
4	Taiyoung
5	Jingyang
6	Guangchuan
7	Taibiao
8	Hongju
9	Xinjin
A	Hongkong
B	Guolian
C	Chongqing CBT
D	FOR DUMMY
E	Shanghai
F	Longhua E5 database
G	Longhua E5A database
H	Longhua E6 database
I	RESERVE
J	RESERVE
K	Nanning
L	Huandian
M	EASTAR
N	Longhua CBT
O	RESERVE
P	Longhua CPEI RMA
Q	Chongqing CPEI
R	Shanghai RMA
S	Shanghai CPEII
T	Yantai(Sony Customer)
U	Vietnam(Bac Ninh,CMB)
V	Yantai(RTT Customer)
Y	Vietnam(Bac Giang)
Z	Vietnam(Bac Ninh,CPEII)