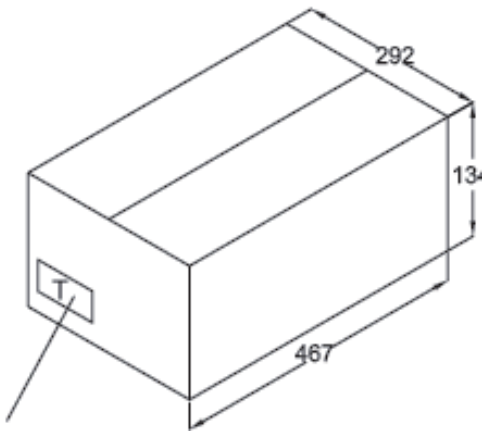
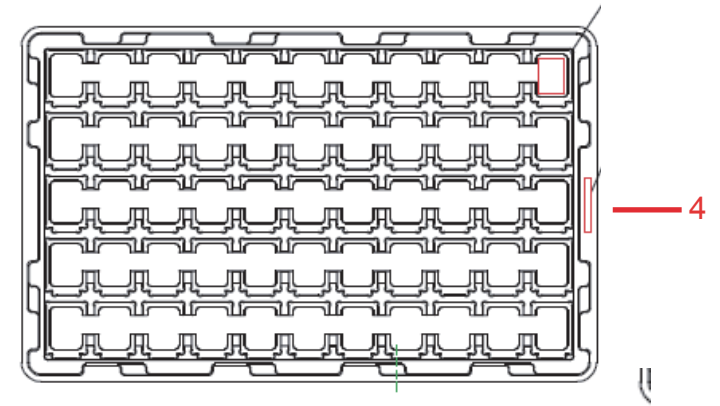
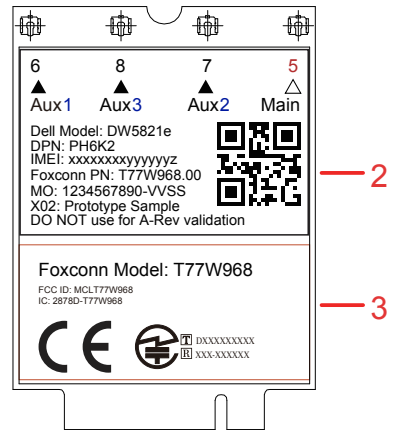
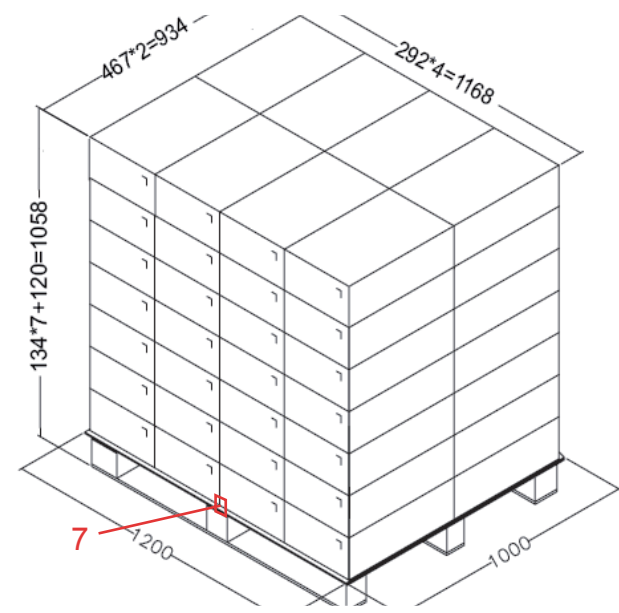
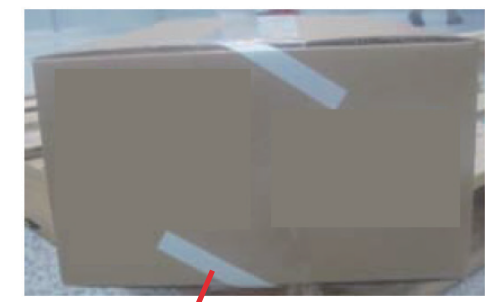


1 Panel label(1pcs)  
paste on the front of the panel



此圖僅供示意，請以實物為準



| 7    | Pallet label  | 503.00089.005 | 1/30800 |
|------|---------------|---------------|---------|
| 6    | 防偽 VOID       | 504.00446.005 | 2/550   |
| 5    | Carton label  | 503.00098.005 | 1/550   |
| 4    | Tray ID label | 503.00090.005 | 1/55    |
| 3    | PPT label     | 500.XXXXX.005 | 1/1     |
| 2    | MEID label    | 504.01555.015 | 1/1     |
| 1    | Panel label   | 503.00039.015 | 1/8     |
| ITEM | DESCRIPTION   | P/N           | QTY     |

## 5. Panel label 503.00039.015 (19.05\*5mm)



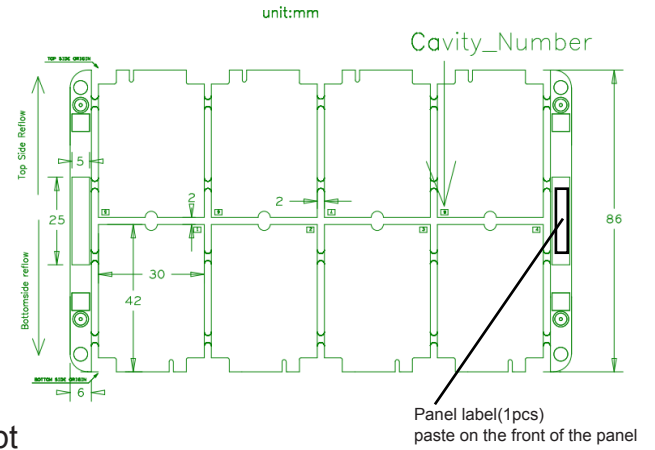
P:PCB label

F:Foxconn location

YMD:Year,month,day

SSSSS:serial number (00000-zzzzz)

Barcode:128 code, 2.54mm height, Font:Verdana,Bold,2pt



### 1. Date code define

#### 1<sup>st</sup> Character Year Codes

| Year | 2006 | 2007 | 2008 | 2009 | 2010 | 2011 | 2012 | 2013 | 2014 | 2015 | So on |
|------|------|------|------|------|------|------|------|------|------|------|-------|
| Code | 6    | 7    | 8    | 9    | 0    | 1    | 2    | 3    | 4    | 5    |       |

#### 2<sup>nd</sup> Character Month codes

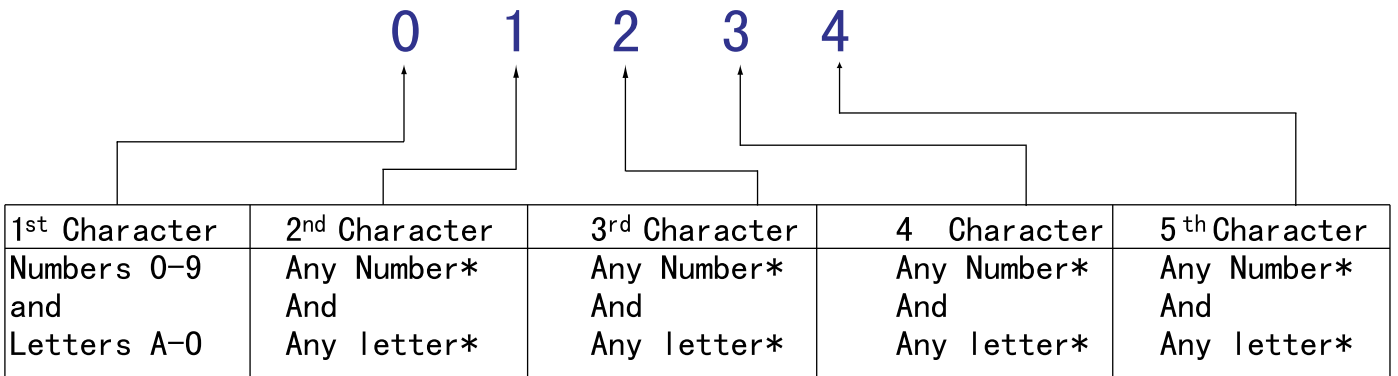
| Month | January | February | March | April | May | June | July | August | September | October | November | December |
|-------|---------|----------|-------|-------|-----|------|------|--------|-----------|---------|----------|----------|
| Code  | 1       | 2        | 3     | 4     | 5   | 6    | 7    | 8      | 9         | A       | B        | C        |

#### 3<sup>rd</sup> Character Day Codes

| Day  | 1 <sup>st</sup> | 2 <sup>nd</sup> | 3 <sup>rd</sup> | 4 <sup>th</sup> | 5 <sup>th</sup> | 6 <sup>th</sup> | 7 <sup>th</sup> | 8 <sup>th</sup> | 9 <sup>th</sup> | 10 <sup>th</sup> | 11 <sup>th</sup> | 12 <sup>th</sup> | 13 <sup>th</sup> | 14 <sup>th</sup> | 15 <sup>th</sup> | 16 <sup>th</sup> | 17 <sup>th</sup> | 18 <sup>th</sup> | 19 <sup>th</sup> |
|------|-----------------|-----------------|-----------------|-----------------|-----------------|-----------------|-----------------|-----------------|-----------------|------------------|------------------|------------------|------------------|------------------|------------------|------------------|------------------|------------------|------------------|
| Code | 1               | 2               | 3               | 4               | 5               | 6               | 7               | 8               | 9               | A                | B                | C                | D                | E                | F                | G                | H                | I                | J                |

| Day  | 20 <sup>th</sup> | 21 <sup>st</sup> | 22 <sup>nd</sup> | 23 <sup>rd</sup> | 24 <sup>th</sup> | 25 <sup>th</sup> | 26 <sup>th</sup> | 27 <sup>th</sup> | 28 <sup>th</sup> | 29 <sup>th</sup> | 30 <sup>th</sup> | 31 <sup>st</sup> |
|------|------------------|------------------|------------------|------------------|------------------|------------------|------------------|------------------|------------------|------------------|------------------|------------------|
| Code | K                | L                | M                | N                | O                | P                | Q                | R                | S                | T                | U                | V                |

### 2. Serial number:



\*2<sup>nd</sup>-4<sup>th</sup> characters will provide a unique serial number\*為36進制

### 3. Unique Number

Six numeric character (0-9) used to uniquely identify



一. Human readable (可讀部分):

1. IMEI digital range (total 15 digital):

IMEI(15 digits) =xxxxxxxxxyyyyz

1st-8th digits - XX TAC code (35544609)

9th-14th digits - serial number (000100-999999) managed by FXN

The 15th digit of IMEI = Check Sum, generate by FXN

total is 15 digital, the last one "C" is the check digit, C=Luhn code

EX:

### IMEI Luhn Code Calculation

|         | Reporting body identifier, indicating the GSMA approved group that allocated the model TAC |            |   |           | The remainder of TAC |            |   |           | Serial sequence of model |            |   |           | Luhn check number |            |   |
|---------|--|------------|---|-----------|----------------------|------------|---|-----------|--------------------------|------------|---|-----------|-------------------|------------|---|
| Step 1: | 3  | 5          | 2 | 0         | 9                    | 9          | 0 | 0         | 1                        | 7          | 6 | 1         | 4                 | 8          | ? |
| Step 2: | 3  | 5*2<br>=10 | 2 | 0*2<br>=0 | 9                    | 9*2<br>=18 | 0 | 0*2<br>=0 | 1                        | 7*2<br>=14 | 6 | 1*2<br>=2 | 4                 | 8*2<br>=16 |   |
| Step 3: | 3 + (1+0) + 2 + 0 + 9 + (1+8) + 0 + 0 + 1 + (1+4) + 6 + 2 + 4 + (1+6) = 49                 |            |   |           |                      |            |   |           |                          |            |   |           |                   |            |   |
| Step 4: | 10 - (49 % 10) = 1, so Luhn = 1  |            |   |           |                      |            |   |           |                          |            |   |           |                   |            |   |

| REV. | MARK | ECR/ECN NO. | DATE     | UPDATE DESCRIPTION                                       | SIGNATURE |
|------|------|-------------|----------|--|-----------|
| 0    | N/A  | N/A         | 18.01.02 | First Release  | Snow.Li   |
| 1    | N/A  | N/A         | 18.01.04 | add ▲  | Snow.Li   |
| 2    | N/A  | N/A         | 18.01.06 | add "Dell Model" and "DPN"                               | Snow.Li   |
| 3    | N/A  | N/A         | 18.01.15 | Add "X00....."   | Snow.Li   |
| 4    | N/A  | N/A         | 18.01.26 | change Foxconn Model to Foxconn PN T77W968 to T77W968.00 | Snow.Li   |
| 5    | N/A  | N/A         | 18.03.31 | Change size  | Snow.Li   |

2. Dell Model: DW5821e
3. The Dell Part Number DPN: PH6K2
4. Foxconn PN: T77W968.00 (Fixed)
5. M0:M0-VVSS
  - a. The first M0 is the text
  - b. The second M0 is Foxconn M0, follow Foxconn standard.
  - c. VV: the engineering version  
(refer to Foxconn label Rev column in the cover of the MFG document)
  - d. SS: the version of A300/A400 product  
(refer to Doc Rev. in the cover of MFG document)
6. X02: Prototype Sample  
DO NOT use for A-Rev validation  
Confirm with PM before printed

All of the font: Arial, 4 pt

二. Scannable:

A. Barcode content:  
IMEI: xxxxxxxxyyyyz

Barcode type :QR code  
Size: 8X 8 mm

size: 28mm\*18mm

SCALE: 1:1

## 標籤製作粘貼方式/T77W968.00/03/3 OF 8

| MATERIAL (SPEC.) |      |      |      |      |      |       |      |      |      | SCALE | <b>FOXCONN</b><br>HON HAI PRECISION IND. CO., LTD.<br>CNSBG |                   |          |
|------------------|------|------|------|------|------|-------|------|------|------|-------|---|-------------------|----------|
| FINISH           |      |      |      |      |      |       |      |      |      | SHEET |   |                   |          |
| Select           |      |      |      |      |      |       |      |      |      | UNIT  | PART NAME<br><b>IMEI and MEID label</b>                     |                   |          |
| Dim.             | Tol. | A    | B    | C    | EPS  | EPE   | BAG  | CTN  | v    | MM    |   |                   |          |
| 0~6              | 0.05 | 0.05 | 0.10 | /    | /    | /     | /    | /    | 0.20 |       |   |                   |          |
| 6~30             | 0.10 | 0.15 | 0.20 | 0.50 | 0.50 | 3.00  | /    | /    | 0.20 |       |   |                   |          |
| 30~120           | 0.15 | 0.20 | 0.30 | 0.50 | 0.50 | 5.00  | 2.00 | 0.25 |      |       |   |                   |          |
| 120~300          | 0.20 | 0.30 | 0.40 | 1.00 | 1.00 | 10.00 | 3.00 | 0.30 |      |       |   |                   |          |
| 300~450          | 0.25 | 0.40 | 0.50 | 2.00 | 2.00 | 15.00 | 5.00 | 0.50 |      |       |   |                   |          |
| 450~600          | 0.30 | 0.50 | 0.60 | 3.00 | 3.00 | 20.00 | 5.00 | 0.80 |      |       |   |                   |          |
| DRAFT TOLERANCE  |      |      |      |      |      |       |      |      |      | Label | MODEL   | PART NO.          | DESIGNED |
|                  |      |      |      |      |      |       |      |      |      | USR   | T77W968.00  | 504.01555.015     | Snow     |
|                  |      |      |      |      |      |       |      |      |      | Label | CUSTOMER MODEL  | CUSTOMER PART NO. | APPROVED |
|                  |      |      |      |      |      |       |      |      |      | Label |   |                   | Meredith |

| REV. | MARK | ECR/ECN NO. | DATE | UPDATE DESCRIPTION | SIGNATURE |
|------|------|-------------|------|--------------------|-----------|
| 0    | N/A  | N/A         |      | First Release      | Snow      |

mini 5mm 

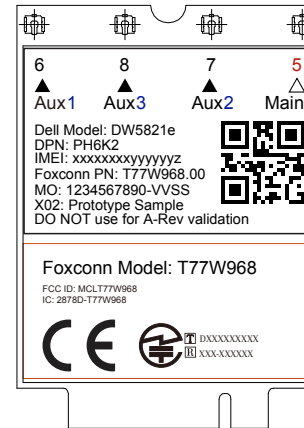
mini 3mm 



artwork 1:1



artwork 2:1



Notes:

1. Material: 50#壓花Mylar  
Thickness: 0.05+/-0.005mm
2. Liner: Glassine release paper
3. Adhesive: 壓花膠, Thickness: 0.03+/-0.003mm
4. Adhesion to steel: 0.8~1.8 kg/inch  
Initial tack: 1~6# ball  
Holding power >= 8hr/kg\*inch<sup>2</sup>
5. Paper color: white
6. Package: roll
7. Must be ROHS compliant and HF

標籤製作粘貼方式/T77W968.00/03/4 OF 8

|                  |      |      |      |      |       |      |                    |      |   |       |      |   |  |                   |          |
|------------------|------|------|------|------|-------|------|--------------------|------|---|-------|------|---|--|-------------------|----------|
| MATERIAL (SPEC.) |      |      |      |      |       |      |                    |      |   | SCALE |      | <b>FOXCONN</b><br>HON HAI PRECISION IND. CO., LTD.<br>CNSBG |  |                   |          |
| 50#Mylar (壓花膠)   |      |      |      |      |       |      |                    |      |   | SHEET |      |   |  |                   |          |
| FINISH           |      |      |      |      |       |      |                    |      |   | 1/1   |      | PART NAME   |  |                   |          |
| Select           |      |      |      |      |       |      |                    |      |   | UNIT  |      | PTT label   |  |                   |          |
| Dim.             | Tol. | A    | B    | C    | EPS   | EPE  | BAG                | CTN  | V | Label | MM   | MODEL   |  | PART NO.          | DESIGNED |
| 0~6              |      | 0.05 | 0.05 | 0.10 |       |      |                    |      |   |       |      | T77W968.00  |  | 500.0xxxx.005     | Snow     |
| 6~30             |      | 0.10 | 0.15 | 0.20 | 0.50  | 0.50 | 3.00               |      |   |       |      |   |  |                   |          |
| 30~120           |      | 0.15 | 0.20 | 0.30 | 0.50  | 0.50 | 5.00               | 2.00 |   |       | SIZE |   |  |                   |          |
| 120~300          |      | 0.20 | 0.30 | 0.40 | 1.00  | 1.00 | 10.00              | 3.00 |   |       | A4   |   |  |                   |          |
| 300~450          |      | 0.25 | 0.40 | 0.50 | 2.00  | 2.00 | 15.00              | 5.00 |   |       |      | CUSTOMER MODEL  |  | CUSTOMER PART NO. | APPROVED |
| 450~600          |      | 0.30 | 0.50 | 0.60 | 3.00  | 3.00 | 20.00              | 5.00 |   |       |      |   |  |                   | Meredith |
| DRAFT TOLERANCE  |      |      |      |      | ±0.2° |      | CRITICAL DIM. MARK |      | * |       |      |   |  |                   |          |



## 2.Tray ID label

Foxconn PN: 503.00090.005, size: 45\*8mm



Human readable:

TFYWWSSSS

Font: TRIUMVIRATE COND.(Print font) height:6pt

Scannable:

1. Barcode type: code128
2. Barcode height: 2.96mm
3. Barcode content: TFYWWSSSS

T---Tray

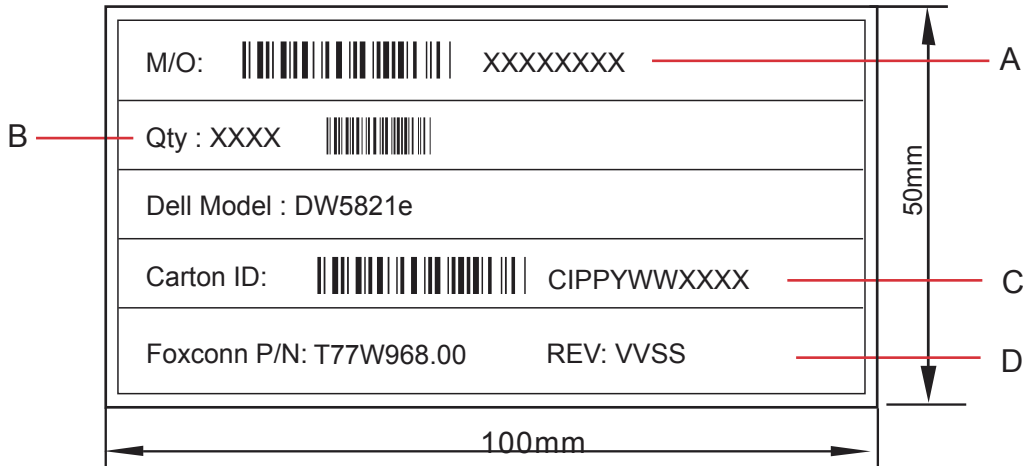
F---location

Y---the last digit of year

WW---week

SSSS---serial number, base 36. reset from 0001 every two week.

### 3. Carton label: P/N: 503.00098.005



A. XXXXXXXX: the Foxconn MO number

B. Qty: XXXX

XX: the quantity of product in carton

Barcode content: the quantity of product in carton

C. CIPPYWWXXXX

C: Carton

I: Location

PP: Line

Y: the last digit of year

WW: week

XXXX: serial number, base 36, reset from 0001 every two week

Barcode type : code 128

Barcode height : 5 mm

All font : Arial, 10pt

D. REV: VVSS

VV: the engineering version (refer to Foxconn label Rev column in the cover of the MFG document)

SS: the version of A300/A400 product (refer to Doc Rev. in the cover of MFG document)

### 4. Pallet label: P/N: 503.00089.005



PIPPYWWXXXX

P: Pallet

I: Location

PP: Line

Y: the last digit of year

WW: week

XXXX: serial number, base 36, reset from 0001 every two week

B. REV: VVSS

VV: the engineering version (refer to Foxconn label Rev column in the cover of the MFG document)

SS: the version of A300/A400 product (refer to Doc Rev. in the cover of MFG document)

Barcode type : code 128

Barcode height : 11mm

All font : Arial, 17pt

# Attachment:

## Location Code

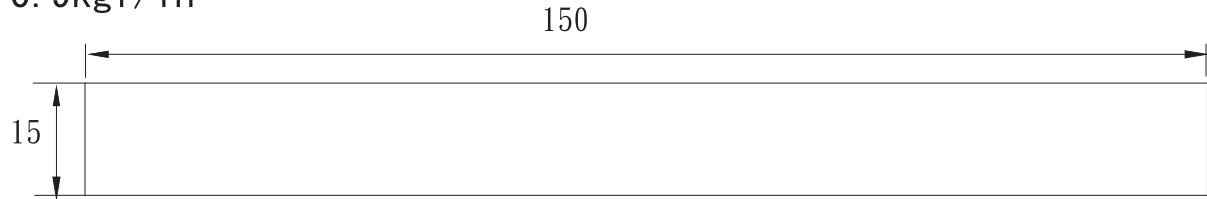
| LOCATION | LOCATIONNAME            |
|----------|-------------------------|
| 0        | Hsinchu                 |
| 1        | Zhongshan               |
| 2        | Futian                  |
| 3        | Tucheng                 |
| 4        | Taiyoung                |
| 5        | Jingyang                |
| 6        | Guangchuan              |
| 7        | Taibiao                 |
| 8        | Hongju                  |
| 9        | Xinjin                  |
| A        | Hongkong                |
| B        | Guolian                 |
| C        | Chongqing CBT           |
| D        | FOR DUMMY               |
| E        | Shanghai                |
| F        | Longhua E5 database     |
| G        | Longhua E5A database    |
| H        | Longhua E6 database     |
| I        | RESERVE                 |
| J        | RESERVE                 |
| K        | Nanning                 |
| L        | Huandian                |
| M        | EASTAR                  |
| N        | Longhua CBT             |
| O        | RESERVE                 |
| P        | Longhua CPEI RMA        |
| Q        | Chongqing CPEI          |
| R        | Shanghai RMA            |
| S        | Shanghai CPEII          |
| T        | Yantai(Sony Customer)   |
| U        | Vietnam(Bac Ninh,CMB)   |
| V        | Yantai(RTT Customer)    |
| Y        | Vietnam(Bac Giang)      |
| Z        | Vietnam(Bac Ninh,CPEII) |



| REV. | MARK | ECR/ECN NO. | DATE     | UPDATE DESCRIPTION | SIGNATURE |
|------|------|-------------|----------|--------------------|-----------|
| 0    |      |             | 18.01.26 | First Release      | Snow      |

Note

1. Surface Material: 25# VOID
2. Surface Material + Adhesive thickness: 0.043+/-0.005 mm
3. Adhesive: Acrylic
4. 初期力 (Initial Tack) : 5#
5. 保持力 (Holding Power) : 12hr/kg/20mm<sup>2</sup>
6. 粘著力 (Adhesion to steel) : 0.3~0.9kgf/in
7. Color: Silver gray
8. Content: VOID 已開封



此圖僅供示意，請以實物為準



標籤製作粘貼方式/T77W968.00/03/8 OF 8

|                  |      |            |      |       |                                  |      |       |      |      |      |                |                   |          |
|------------------|------|------------|------|-------|----------------------------------|------|-------|------|------|------|----------------|-------------------|----------|
| MATERIAL (SPEC.) |      | 25# 防偽VOID |      | SCALE | FOXCONN                          |      |       |      |      |      |                |                   |          |
| FINISH           |      |            |      | 1/1   | HON HAI PRECISION IND. CO., LTD. |      |       |      |      |      |                |                   |          |
| Select           |      |            |      | SHEET | CNSBG                            |      |       |      |      |      |                |                   |          |
| Dim.             | Tol. | A          | B    | C     | EPS                              | EPE  | BAG   | CTN  | V    | UNIT | PART NAME      |                   |          |
| 0~6              |      | 0.05       | 0.05 | 0.10  |                                  |      |       |      | 0.20 | mm   | VOID label     |                   |          |
| 6~30             |      | 0.10       | 0.15 | 0.20  | 0.50                             | 0.50 | 3.00  |      | 0.20 | SIZE | MODEL          | PART NO.          | DESIGNED |
| 30~120           |      | 0.15       | 0.20 | 0.30  | 0.50                             | 0.50 | 5.00  | 2.00 | 0.25 | A4   | T77W968.00     | 504.00446.005     | Snow     |
| 120~300          |      | 0.20       | 0.30 | 0.40  | 1.00                             | 1.00 | 10.00 | 3.00 | 0.30 |      | CUSTOMER MODEL | CUSTOMER PART NO. | APPROVED |
| 300~450          |      | 0.25       | 0.40 | 0.50  | 2.00                             | 2.00 | 15.00 | 5.00 | 0.50 |      |                |                   | Meredith |
| 450~600          |      | 0.30       | 0.50 | 0.60  | 3.00                             | 3.00 | 20.00 | 5.00 | 0.80 |      |                |                   |          |
| DRAFT TOLERANCE  |      |            |      | ±0.2° | CRITICAL DIM. MARK               |      |       |      | *    |      |                |                   |          |