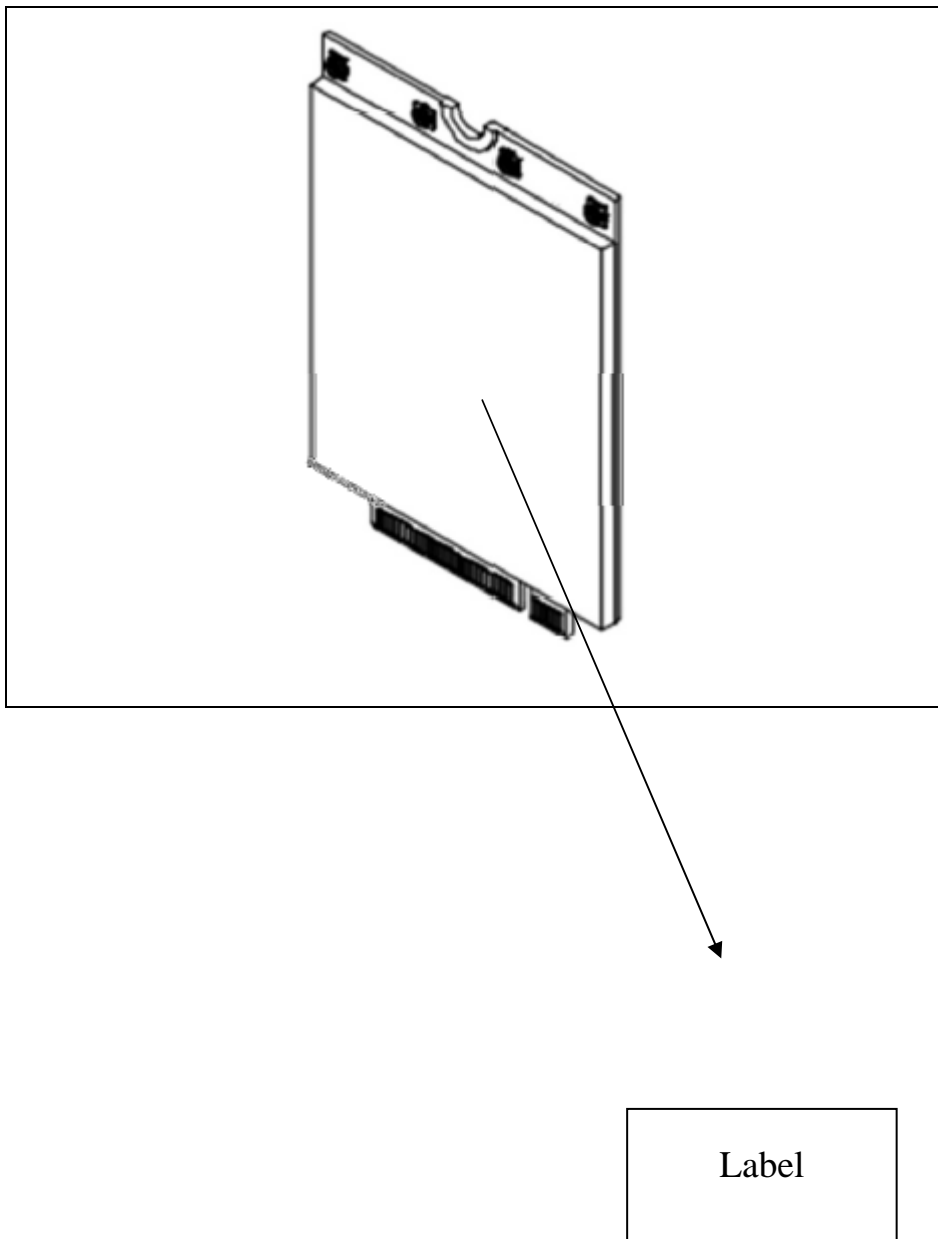


FCC LABEL LOCATION

The label will be permanently affixed at a conspicuous location on the device.



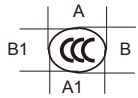
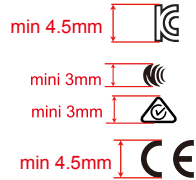
(Fig. 1) FCC ID: MCLT77W968-D3

REV.	MARK	ECR/ECN NO.	DATE	UPDATE DESCRIPTION	SIGNATURE
0	N/A	N/A		First Release	Snow

Arial
CNC ID: C-21945
 Century Gothic Bold



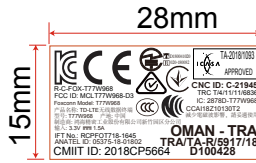
Logo: 3mm*3mm
 Certificate NO. must be
 1mm high



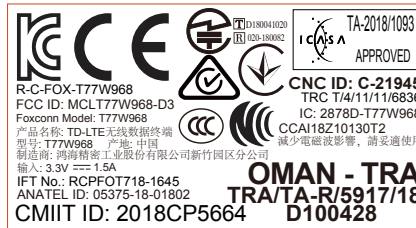
名稱: A/A1/B/B1
 比例: 8/7.5/6.3/5.8

CMIIT ID: 2018CP5664 Font 1.5 mm high

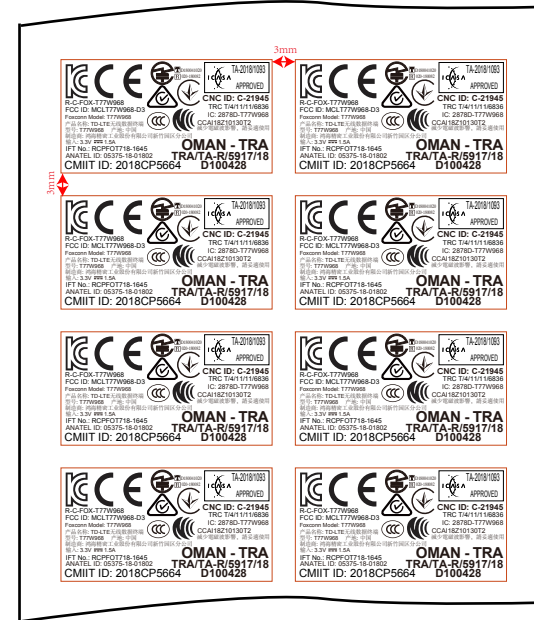
OMAN - TRA Font 2mm high
X/NNNN/YY Font 1.5mm high
Dyynnnn



artwork 1:1



artwork 2:1



供應商來料

Notes:

- Material: 50#壓花Mylar
 Thickness: 0.05+/-0.005mm
- Liner: Glassine release paper
- Adhesive: 壓花膠, Thickness: 0.03+/-0.003mm
- Adhesion to steel: 0.8-1.8 kg/inch
 Initial tack: 1~6# ball
 Holding power >= 8hr/kg*inch²
- Paper color: white
- Package: roll
- Must be ROHS compliant and HF

MATERIAL (SPEC.)										SCALE		FOXCONN				
50#Mylar (壓花膠)										SHEET		HON HAI PRECISION IND. CO., LTD.				
FINISH										1/1		CNSBG				
Select Dim.	Tol.	A	B	C	EPS	EPE	BAG	CTN	V Label	UNIT	PART NAME					
0~6	0.05	0.05	0.10						0.20	MM	PTT label					
6~30	0.10	0.15	0.20	0.50	0.50	3.00			0.20	SIZE A4	MODEL T77W968.01	PART NO. 500.02350.005	DESIGNED Snow			
30~120	0.15	0.20	0.30	0.50	0.50	5.00	2.00	0.25								
120~300	0.20	0.30	0.40	1.00	1.00	10.00	3.00	0.30								
300~450	0.25	0.40	0.50	2.00	2.00	15.00	5.00	0.50								
450~600	0.30	0.50	0.60	3.00	3.00	20.00	5.00	0.80								
DRAFT TOLERANCE ±0.2°										CRITICAL DIM. MARK *		CUSTOMER MODEL		CUSTOMER PART NO.		APPROVED Meredith