

Technical Datasheet for ANT-M043A

Dexerials Corporation

July. 1, 2016

ANT-M043A Drawing

(Notes)

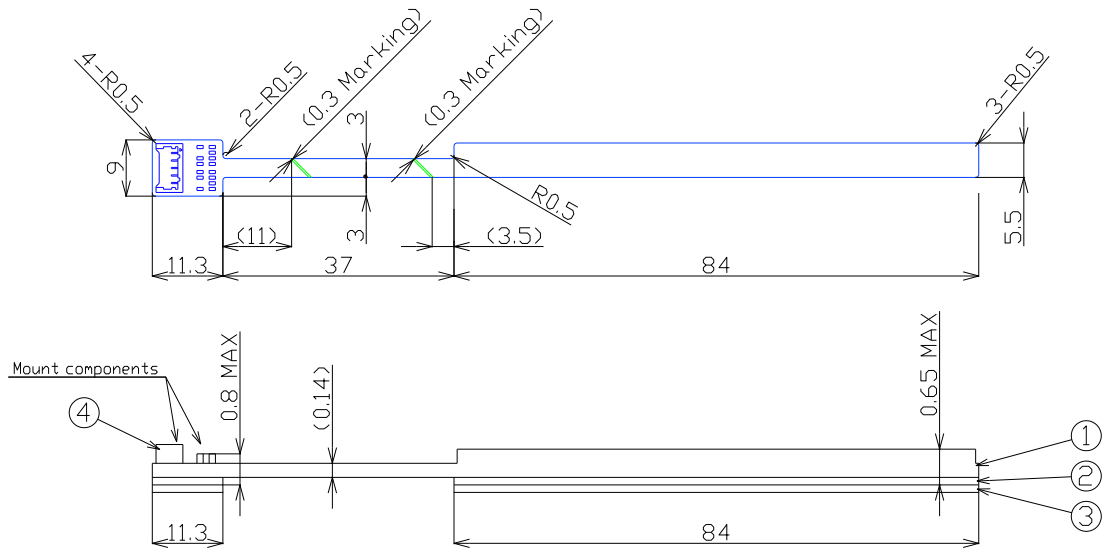
- 1) This drawing shows the view from terminal side.
- 2) Where not specified, dimensional tolerance shall be in accordance with General tolerance.
- 3) Exposed areas of the terminal shall be treated with Ni/Au Plating.
Ni: 1~6μ m / Au: 0.03μ m ~
- 4) Material, thickness, etc, shall be in accordance with the component list.
- 5) The tolerance of total thickness excluding copper should be ±50μ m.
- 6) This part should not contain any substances which are specified in Management Standards for the Environment-Related Substances.

環境管理物質管理標準のレベル1物質は含有しない事

CONFIDENTIAL

General tolerance

L ≤ 16	±0.2
16 < L ≤ 63	±0.3
63 < L ≤ 250	±0.4
250 < L	±0.6



Structure drawing
(SCALE FREE)

Component list

	material	thick	remark
①	Antenna	-	-
②	Adhesive	50μm	T4100
③	Release paper	(100μm)	Paper
④	Connector	-	BM05B-ACHSS-A-GAN-ETF (HF)

PLANNED	DATE	REVISIONS	SIGN	ANGLE	Unit
PLANNED	DATE	DRAWN	CHECKED	APPROVED	D'TY
2016.04.13	2016.04.13	M.SUZUKI	M.SUZUKI		
				SCALE	2:1
				PART NAME	NFC-Antenna
				PART No.	ANT-M043A
					2

ANT-M043A Specs

1. Antenna materials , Composition list.

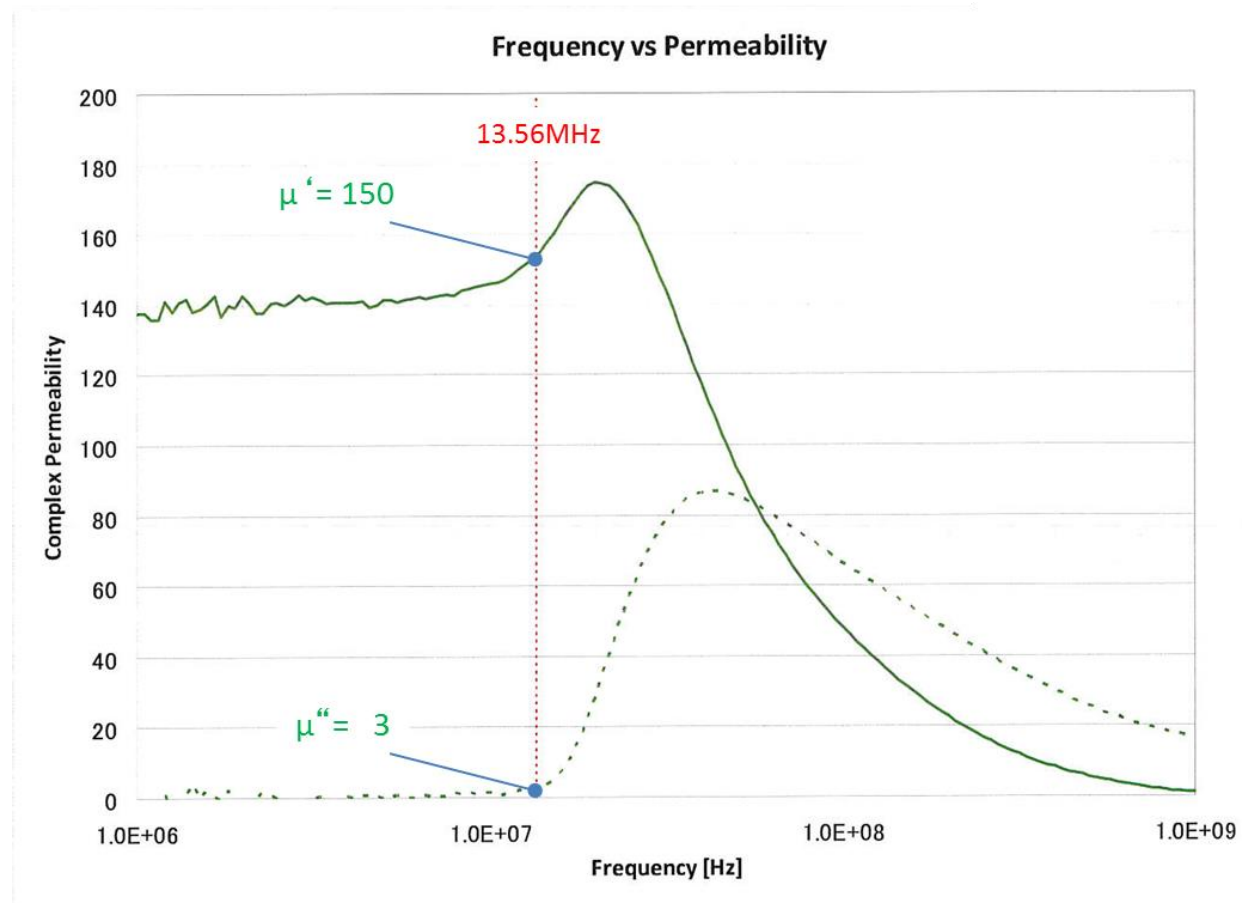
	Parts	Thickness	Material
1	Antenna	650 μ m (MAX)	FPC + Ferrite
2	Adhesive		

ANT-M043A Specs

2. Ferrite materials, frequency characteristics.

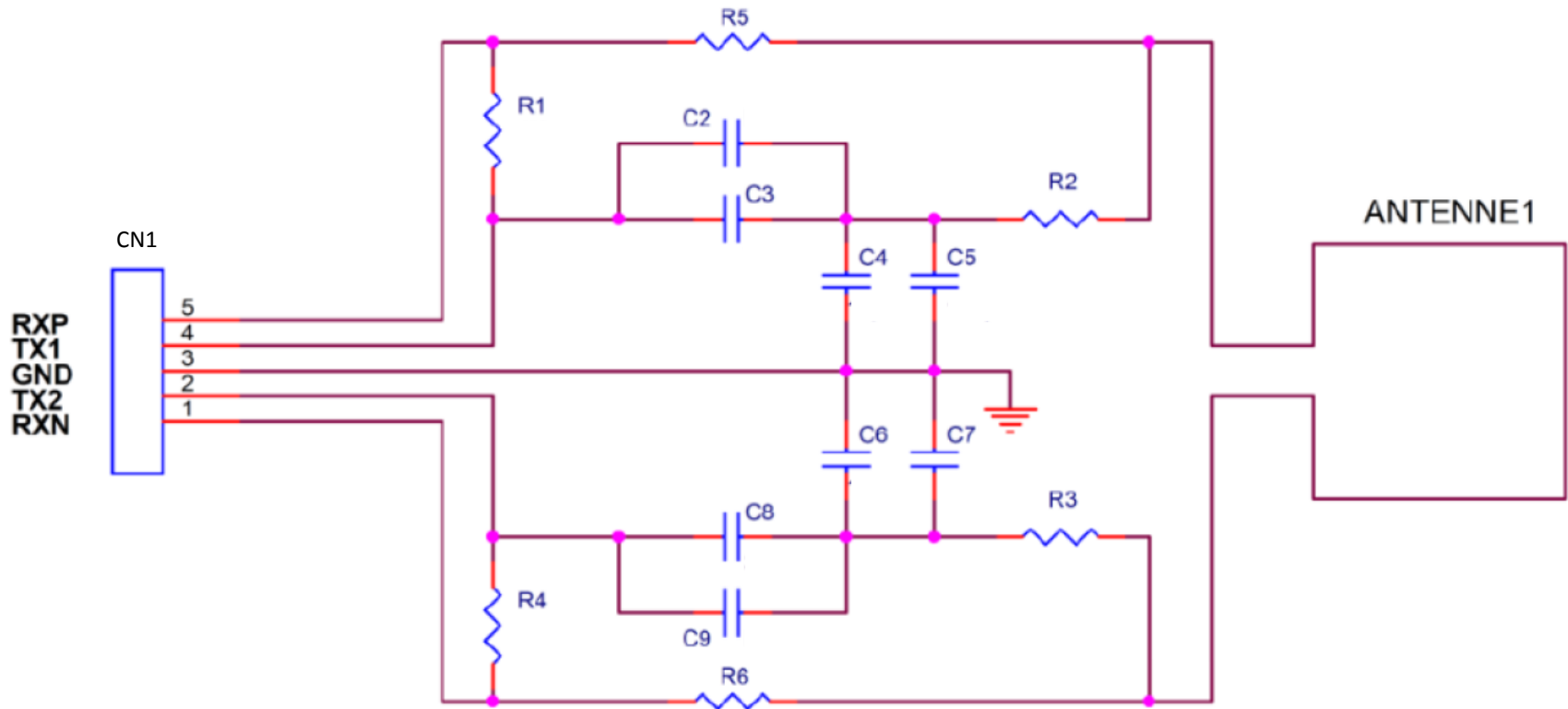
> Ferrite Materials: Ni-Zn-Cu Ferrite

> Frequency Characteristics



ANT-M043A Specs

3. Matching Circuit Schematics



ANT-M043A Specs

4. Matching Circuit Component Values

	SPEC	Part number	Manufacturer
CN1	-	BM05B-ACHSS-A-GAN-ETF(HF)	JST
C2	10pF ±2%	GRM1555C1H100GA01	Murata
C3	33pF ±2%	GRM1555C1H330GA01	Murata
C4	56pF ±2%	GRM1555C1H560GA01	Murata
C5	47pF ±2%	GRM1555C1H470GA01	Murata
C6	56pF ±2%	GRM1555C1H560GA01	Murata
C7	47pF ±2%	GRM1555C1H470GA01	Murata
C8	33pF ±2%	GRM1555C1H330GA01	Murata
C9	10pF ±2%	GRM1555C1H100GA01	Murata
R1	-	-	-
R2	0Ω	RK73Z1ETTP	KOA
R3	0Ω	RK73Z1ETTP	KOA
R4	-	-	-
R5	2.2kΩ	RK73B1ETTP222J	KOA
R6	2.2kΩ	RK73B1ETTP222J	KOA

ANT-M043A Specs

秘 | CONFIDENTIAL

5. Operating Temperature, Storage temperature requirement.

-10~+55 deg C (Humidity Conditions: Must be lower than or equal to 75%)

* Still under consideration

6. Antenna Radiate Direction

*Magnetic Field Strength Distribution: in case of Antenna Current @300mAP-P

