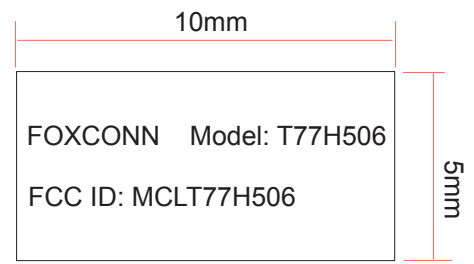
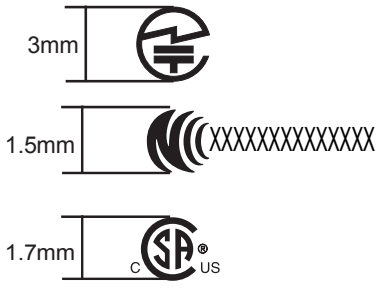


REV.	MARK	ECR/ECN NO.	DATE	UPDATE DESCRIPTION	SIGNATURE
00	N/A	N/A	13.08.13	First Release	Taim Huang



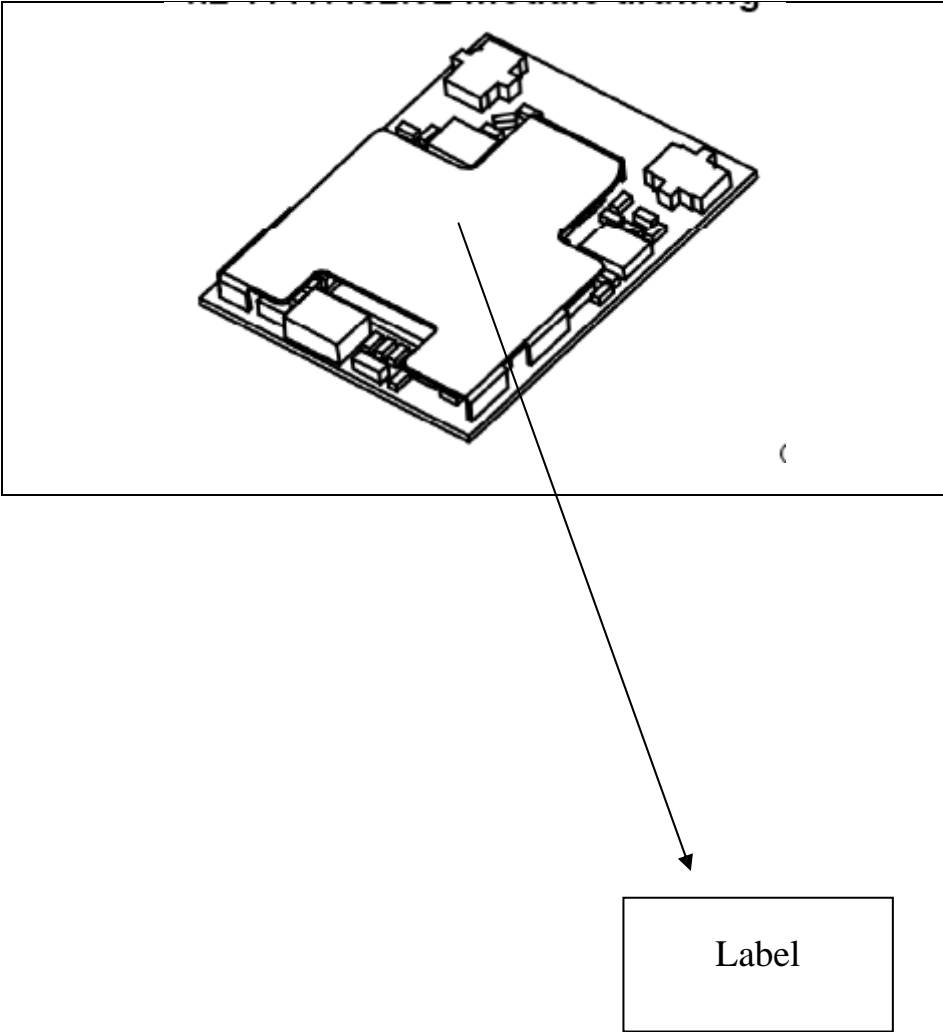
Scale: 1:1

- Notes:
- 1.Material:XF581
  - 2.Printing color:black
  - 3.Shipment:roll

MATERIAL (SPEC.)										SCALE		<b>FOXCONN</b> HON HAI PRECISION IND. CO., LTD. CNSBG		
XF581										SHEET				
FINISH										1/1		PART NAME		
Select										UNIT				
Dim.	Tol.	A	B	C	EPS	EPE	BAG	CTN	*	Label	USR	MODEL		
0~6	0.05	0.05	0.10	/	/	/	/	/	0.20					
6~30	0.10	0.15	0.20	0.50	0.50	3.00	/	/	0.20			PART NO.		
30~120	0.15	0.20	0.30	0.50	0.50	5.00	2.00	0.25						
120~300	0.20	0.30	0.40	1.00	1.00	10.00	3.00	0.30				DESIGNED		
300~450	0.25	0.40	0.50	2.00	2.00	15.00	5.00	0.50						
450~600	0.30	0.50	0.60	3.00	3.00	20.00	5.00	0.80				APPROVED		
DRAFT TOLERANCE				±0.2°		CRITICAL DIM. MARK		*						

# FCC LABEL LOCATION

The label will be permanently affixed at a conspicuous location on the device.



(Fig. 1) FCC ID: MCLT77H506