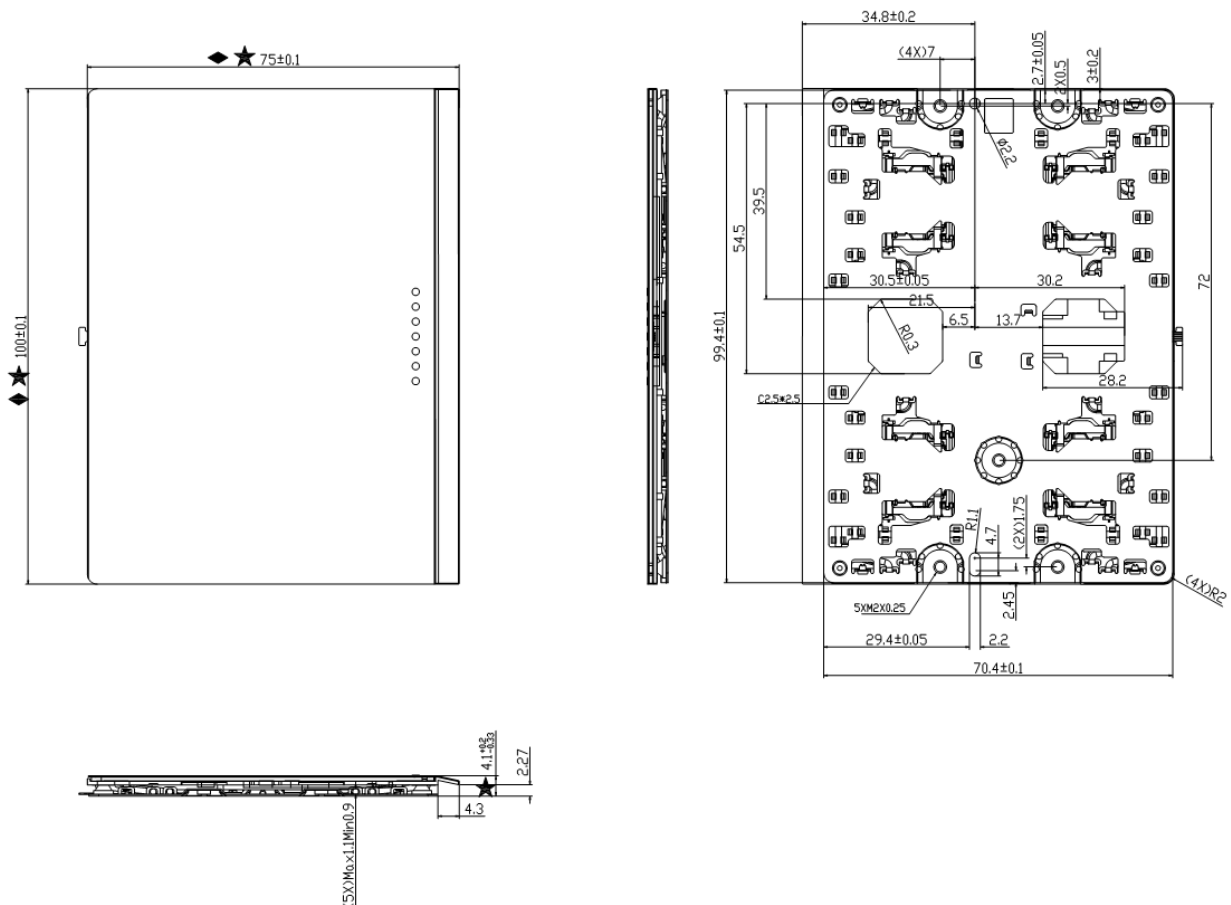


T77H446.01 Antenna Specification

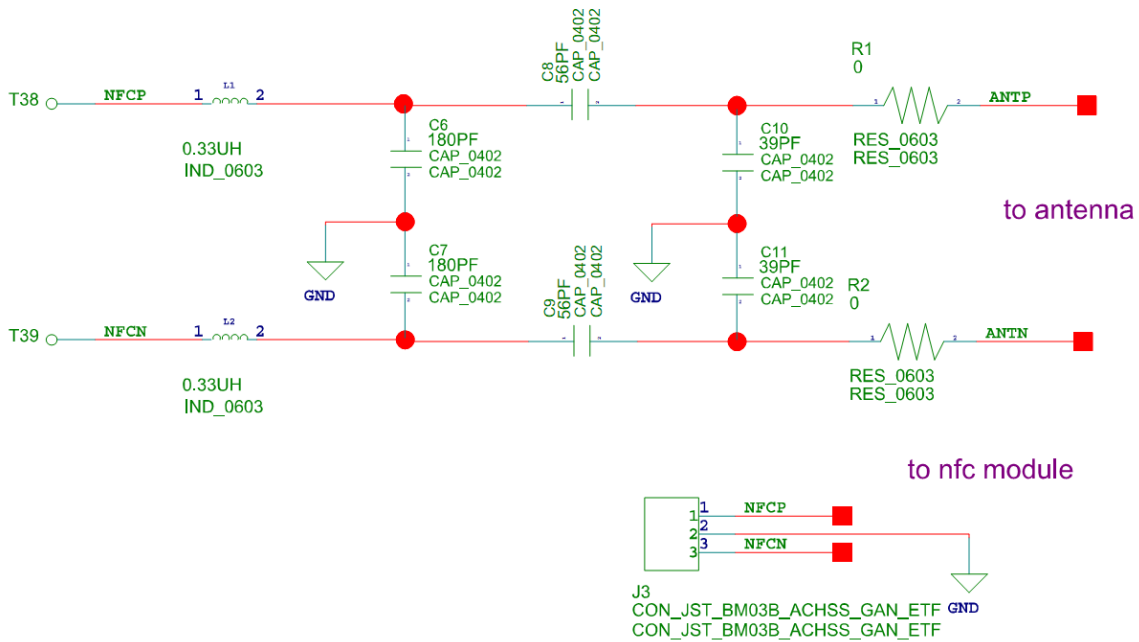
1. Antenna Electrical Specification

| Parameter | Typical | Mark |
|---------------------------------|-------------------------|------|
| Antenna Model PN | T77H446.02 | |
| Antenna Brand | Synaptics | |
| Gain (dBi) Include cable loss | N/A | |
| Antenna Type | PCB antenna | |
| Connector Type (External only) | ACHR | |
| Frequency range | 13.56MHz +/- 135.6Hz | |
| Cable Length (External only) | 80mm | |
| Cable Loss (dB) (External only) | NA | |
| Operating central frequency | 13.56 MHz | |

2. Click PAD with embed antenna Mechanical Drawing



3. Schematics: NFC component

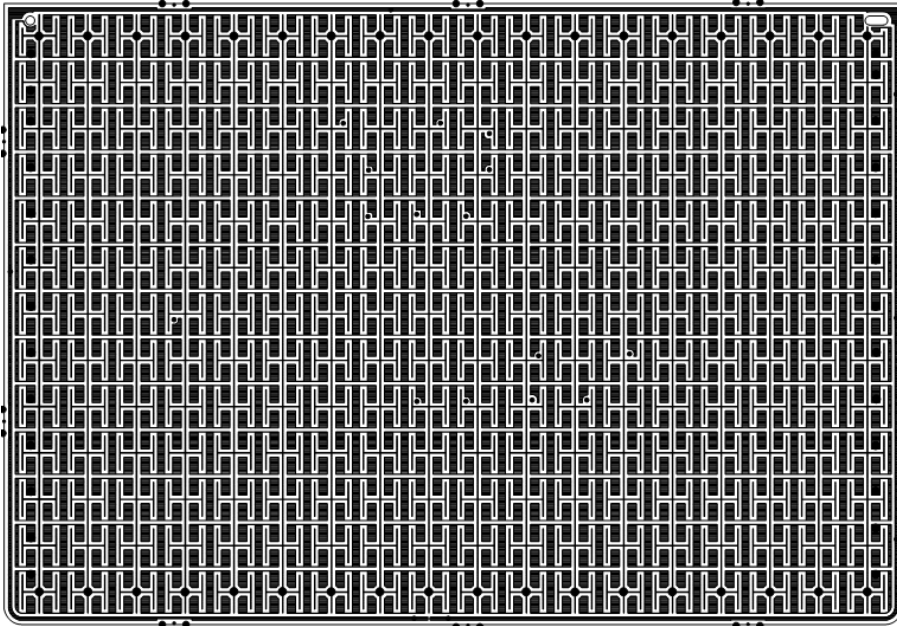


TM-02676-001, LENOVO T SERIES + NFC

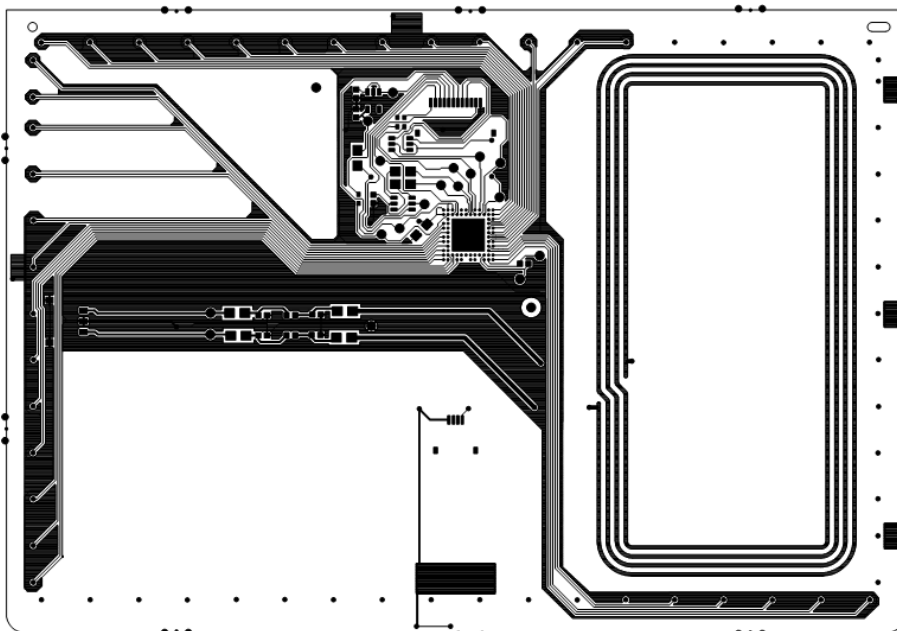
4. BOM

| Part | Description | Quantity |
|-------------------|----------------------------|----------|
| L1, L2 | 0603 330nH +/- 5% 450mA | 2 |
| C6, C7 | 0402 180pF +/-1% 50V | 2 |
| C10, C11 | 0402 39pF +/-1% 50V | 2 |
| C8, C9 | 0402 56pF +/-1% 50V | 2 |
| R1, R2 | 0402 0ohm +/-1% 50V | 2 |
| ANTENNA connector | BM03B-ACHKS-GAN-TF(HF) | 1 |
| Antenna PCB | TM-02676-001 | 1 |
| Antenna Cable | J13-03-001(HF) | 1 |
| FERRITE SHEET | FERRITE-SHEET, TDK, IBF-10 | 1 |

5. PCB Layout



Top layer



Bottom layer