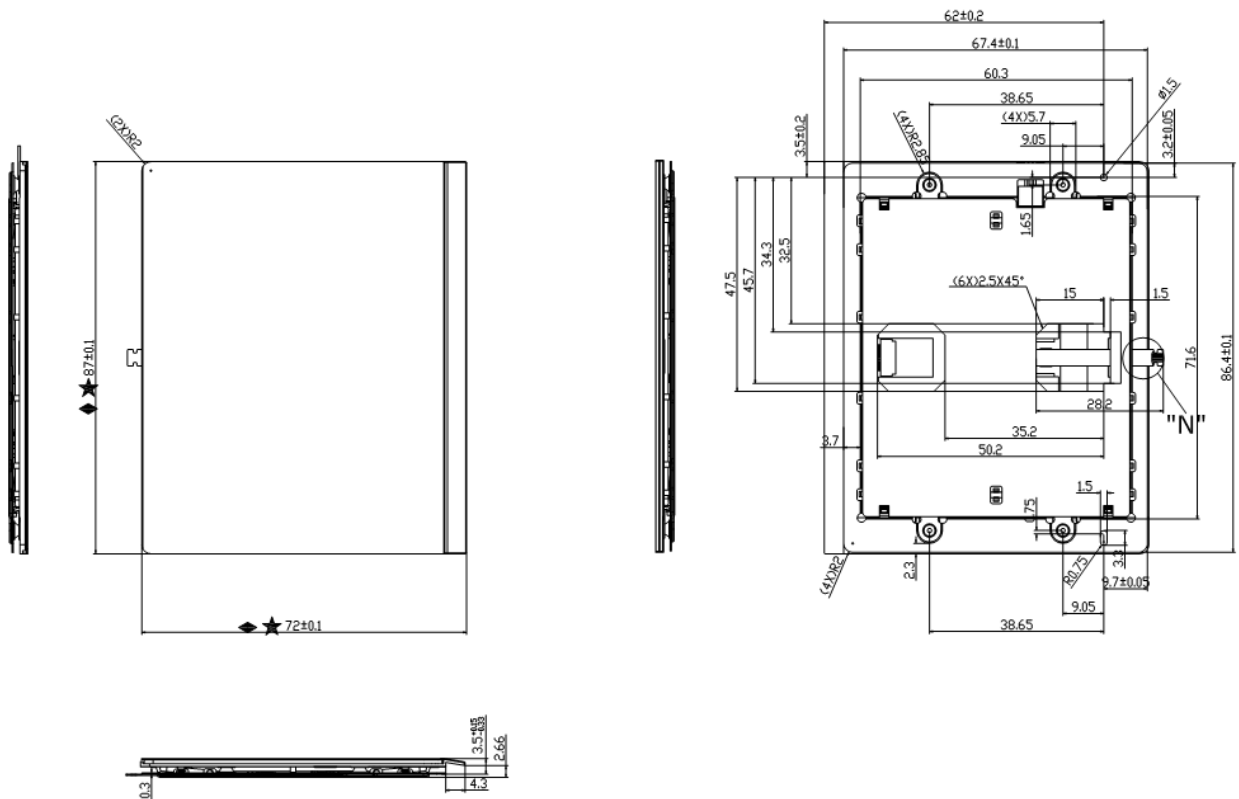


T77H446.01 Antenna Specification

1. Antenna Electrical Specification

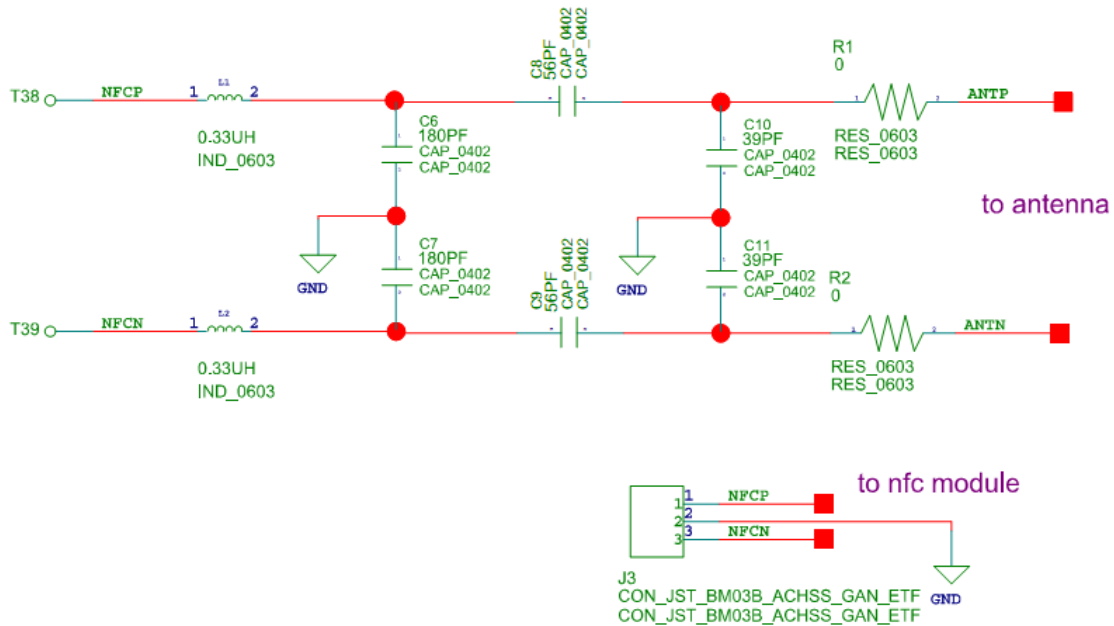
Parameter	Typical	Mark
Antenna Model PN	T77H446.01	
Antenna Brand	Synaptics	
Gain (dBi) Include cable loss	N/A	
Antenna Type	PCB antenna	
Connector Type (External only)	ACHR	
Frequency range	13.56MHz +/- 135.6Hz	
Cable Length (External only)	80mm	
Cable Loss (dB) (External only)	NA	
Operating central frequency	13.56 MHz	

2. Click PAD with embed antenna Mechanical Drawing



3. Schematics:

NFC component

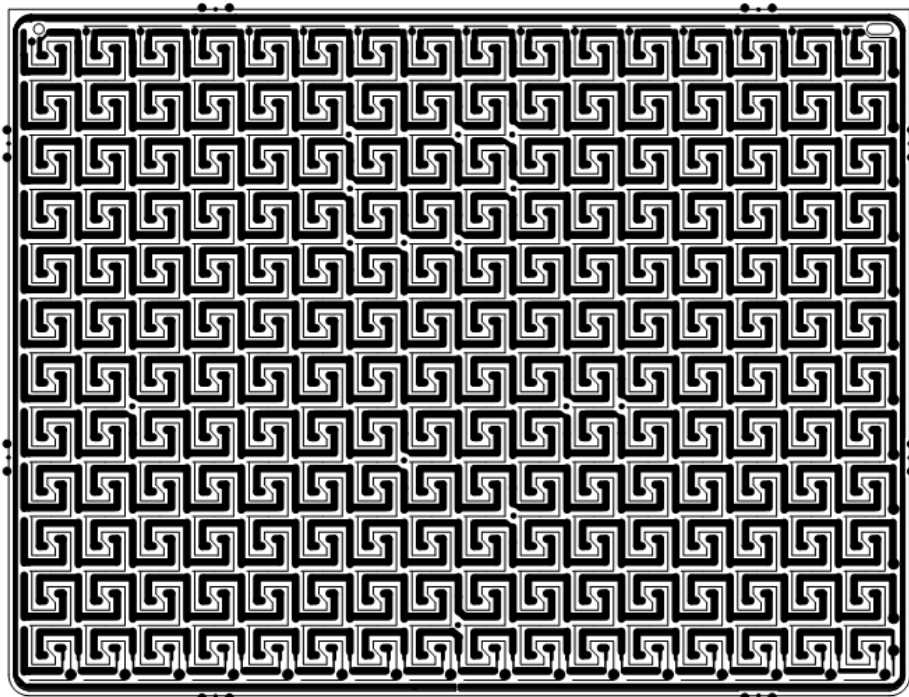


TM-02750-001, LENOVO X SERIES + NFC

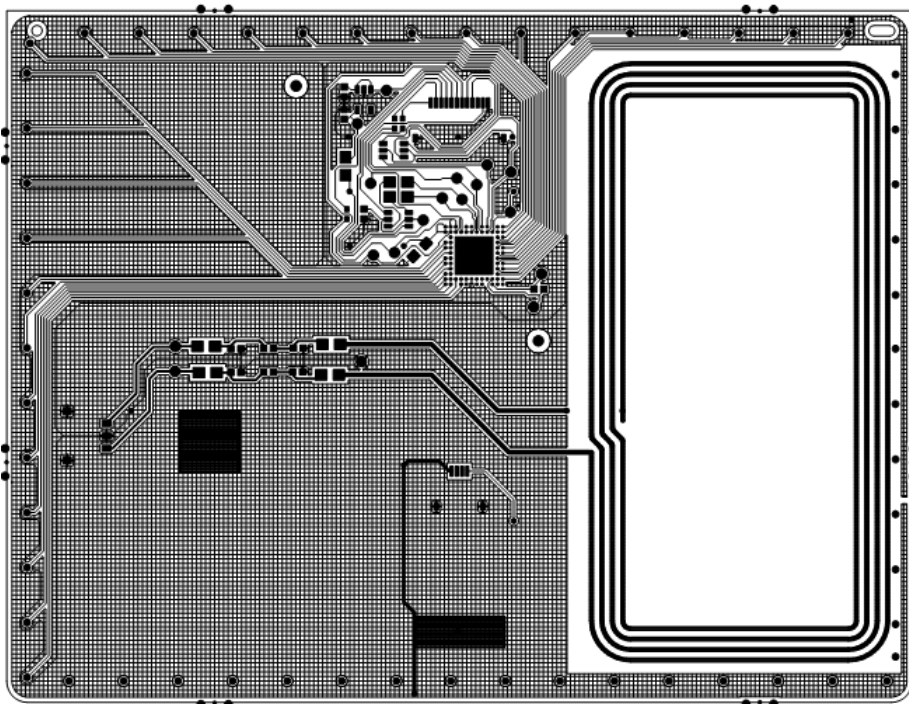
4. BOM

Part	Description	Quantity
L1, L2	0603 330nH +/- 5% 450mA	2
C6, C7	0402 180pF +/-1% 50V	2
C10, C11	0402 39pF +/-1% 50V	2
C8, C9	0402 56pF +/-1% 50V	2
R1, R2	0402 0ohm +/-1% 50V	2
ANTENNA connector	BM03B-ACHKS-GAN-TF(HF)	1
Antenna PCB	TM-02750-001	1
Antenna Cable	J13-03-001(HF)	1
FERRITE SHEET	FERRITE-SHEET, TDK, IBF-10	1

5. PCB Layout



Top layer



Bottom layer