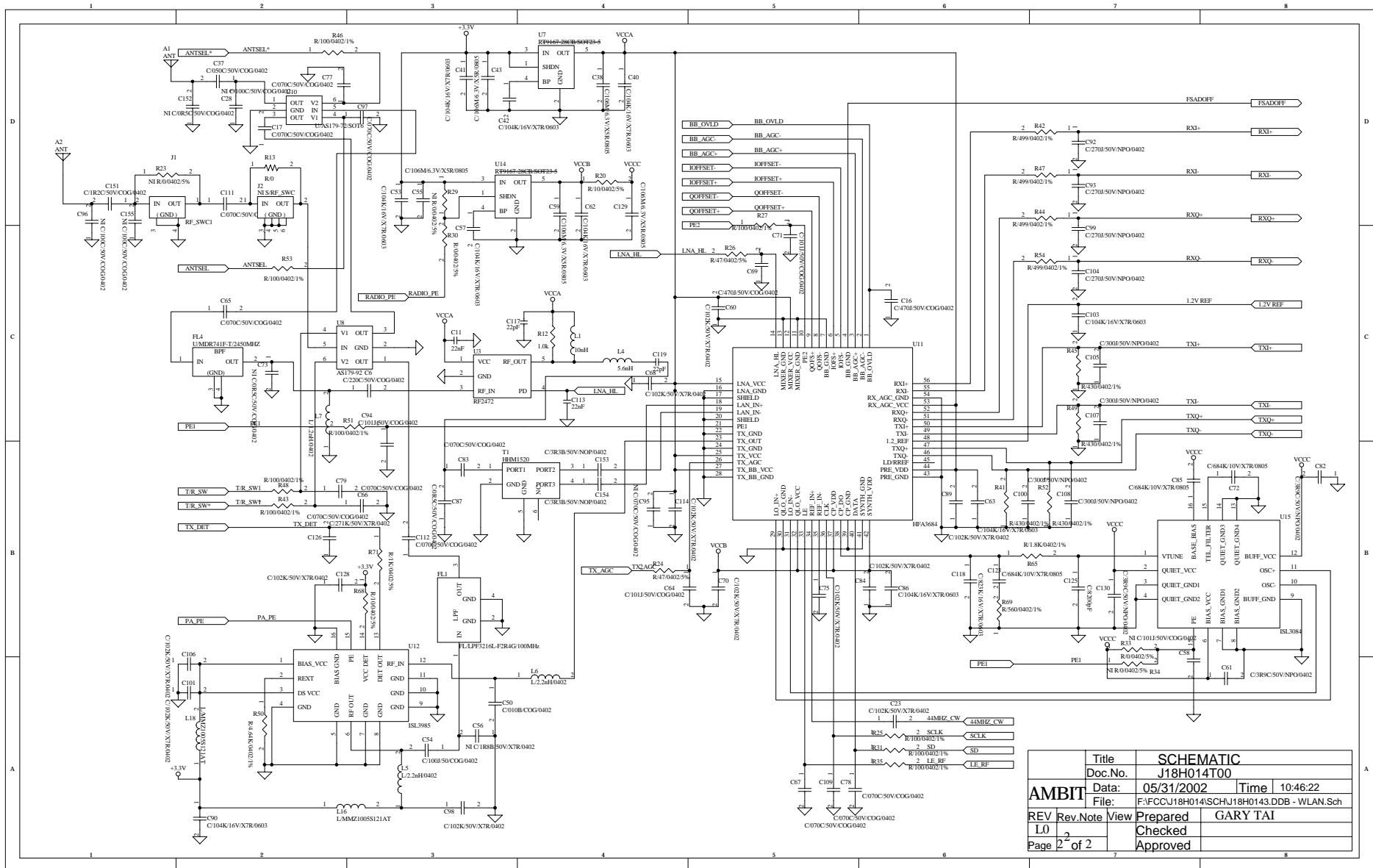


Title	SCHEMATIC
Doc.No.	J18H014T00
Date:	05/31/2002
Time	10:46:20
File:	F:\PCCU18H014SCH\J18H0143.DDB - J18H01-1.P
REV	Rev.Note View Prepared GARY TAI
LO	Checked
Page 1 of 2	Approved



Title		SCHEMATIC	
Doc.No.		J18H014T00	
Date:		05/31/2002	Time: 10:46:22
File:		F:\CCU18H014\SCH\18H0143.DDB - WLAN.Sch	
REV	Rev.Note	View	Prepared
L0	2		GARY TAI
Page 2		of 2	
		Checked	Approved