

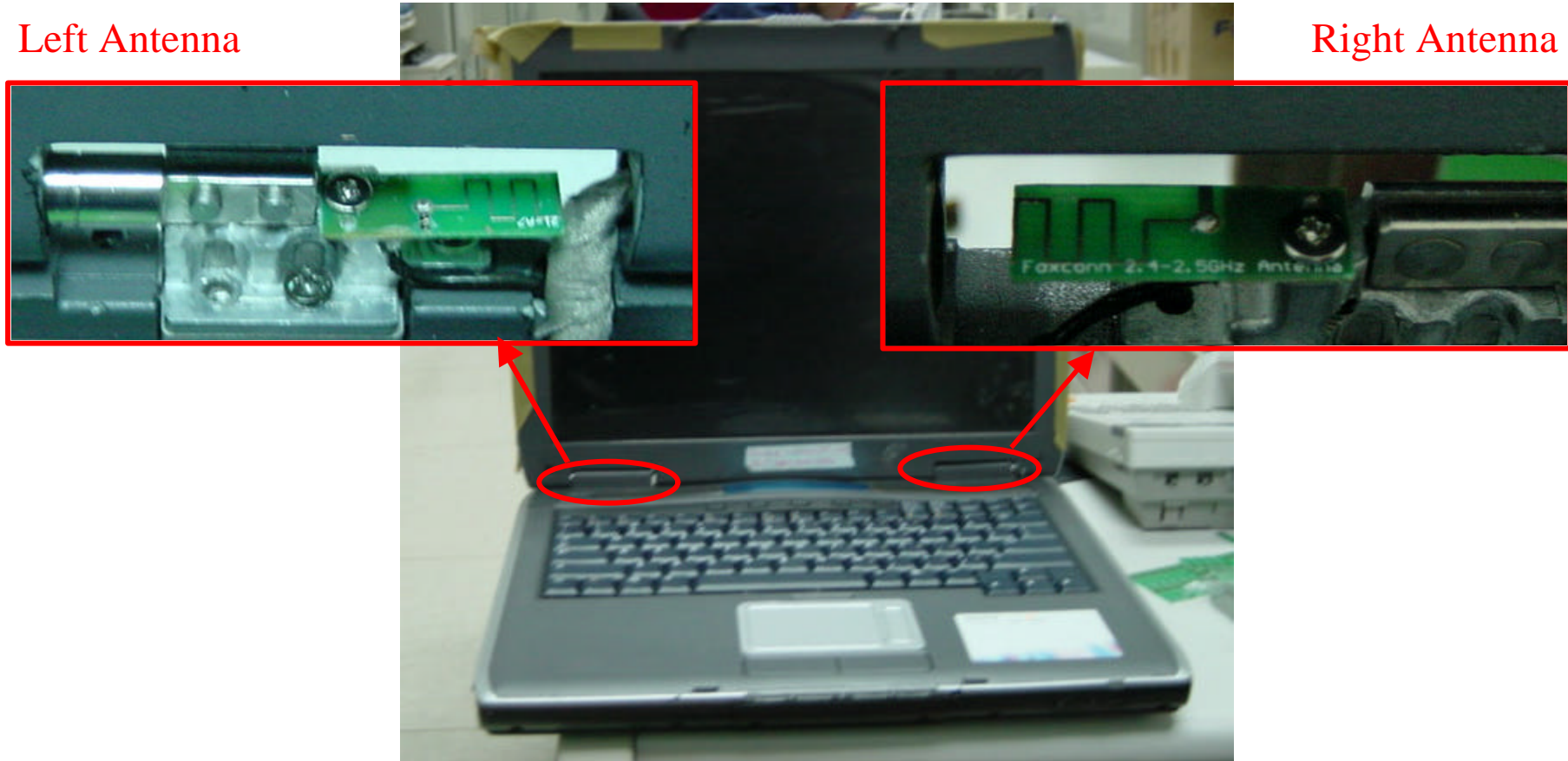
Quanta KT1,5 Antenna Test Report

Sheng Tai

Antenna Location

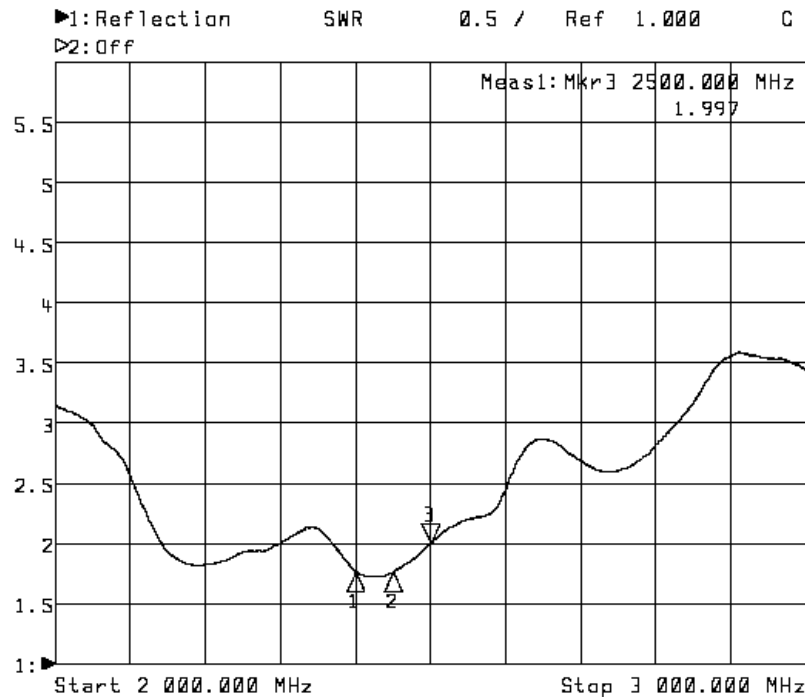
Left Antenna

Right Antenna



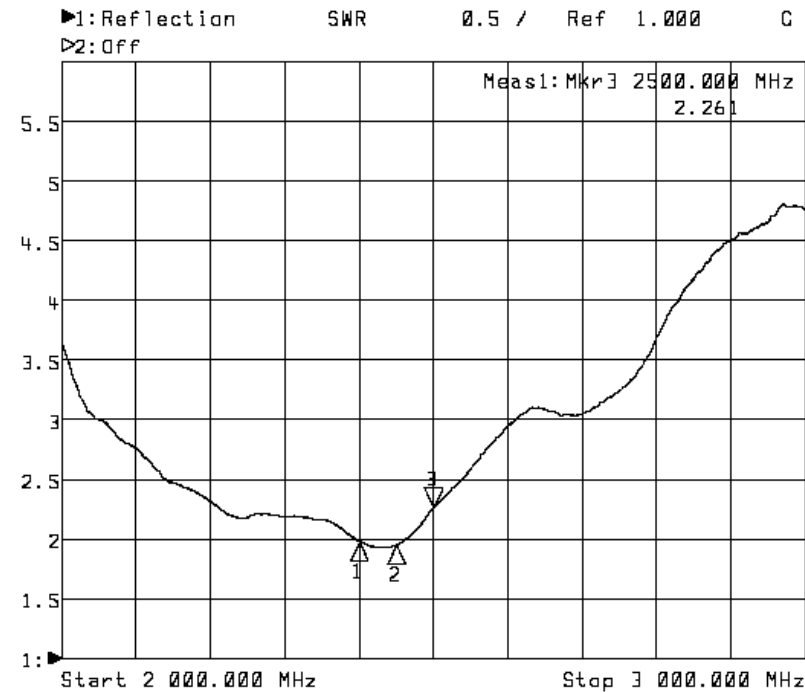
VSWR For Left 14" LCD

1. LCD Open



1: Mkr (MHz)	2: Mkr (MHz)	dB
1: 2400.0000	1.761	
2: 2450.0000	1.760	
3: 2500.0000	1.997	

2. LCD Close

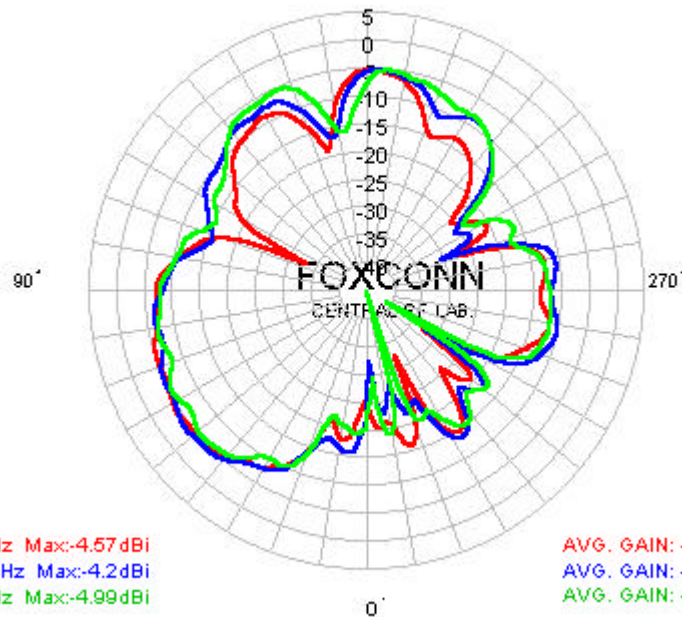


1: Mkr (MHz)	2: Mkr (MHz)	dB
1: 2400.0000	1.979	
2: 2450.0000	1.948	
3: 2500.0000	2.261	

XY Plane Radiation Pattern For Left 14" LCD (Open)

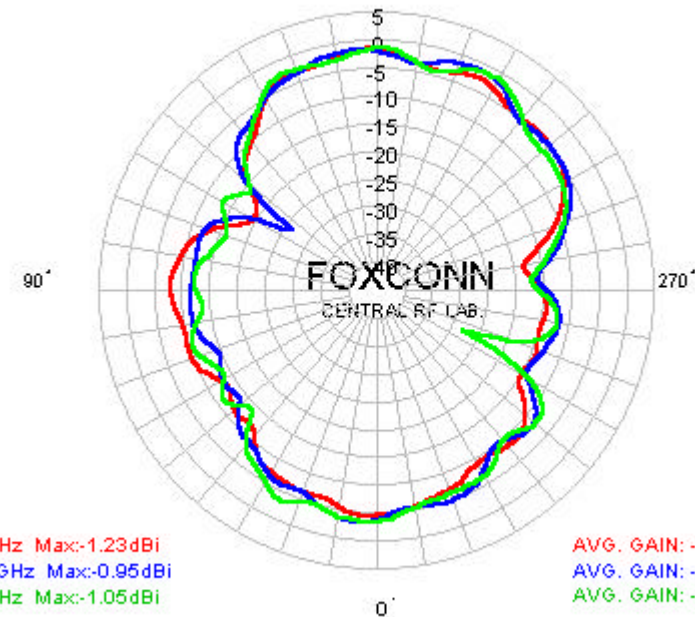
HORIZONTAL POLARIZATION

VERTICAL POLARIZATION



2.4 GHz Max:-4.57 dBi
2.45 GHz Max:-4.2 dBi
2.5 GHz Max:-4.99 dBi

AVG. GAIN: -10.512 dBi
AVG. GAIN: -9.765 dBi
AVG. GAIN: -9.976 dBi



2.4 GHz Max:-1.23 dBi
2.45 GHz Max:-0.95 dBi
2.5 GHz Max:-1.05 dBi

AVG. GAIN: -6.697 dBi
AVG. GAIN: -6.183 dBi
AVG. GAIN: -6.212 dBi

Average Gain For Left 14" LCD Antenna (Open)

(dBi)	2400 MHz	2450 MHz	2500 MHz
XY-H	-10.51	-9.77	-9.98
XY--V	-6.70	-6.16	-6.21
Total Average Gain	-5.19	-4.59	-4.69

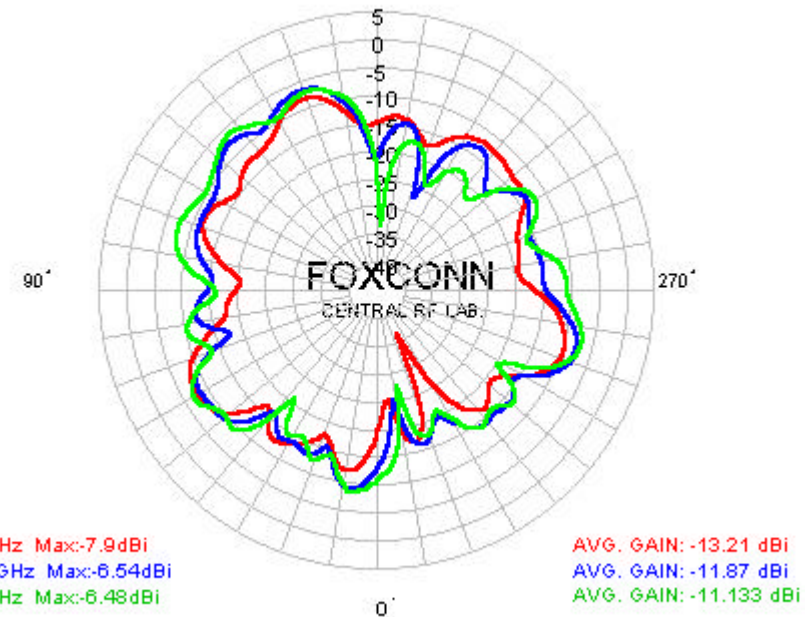
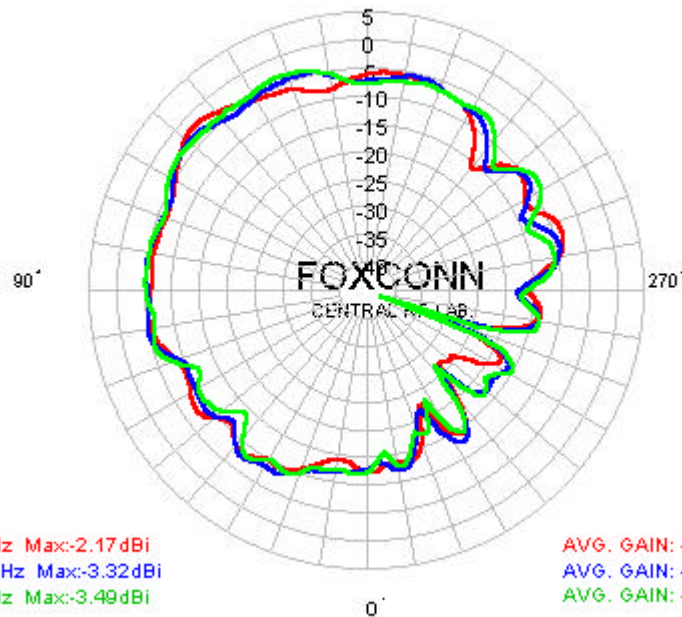
PEAK GAIN

(dBi)	2400 MHz	2450 MHz	2500 MHz
XY-H	-4.57	-4.20	-4.99
XY--V	-1.23	-0.95	-6.00

XY Plane Radiation Pattern For Left 14" LCD (Close)

HORIZONTAL POLARIZATION

VERTICAL POLARIZATION



Average Gain For Left 14" LCD Antenna (Close)

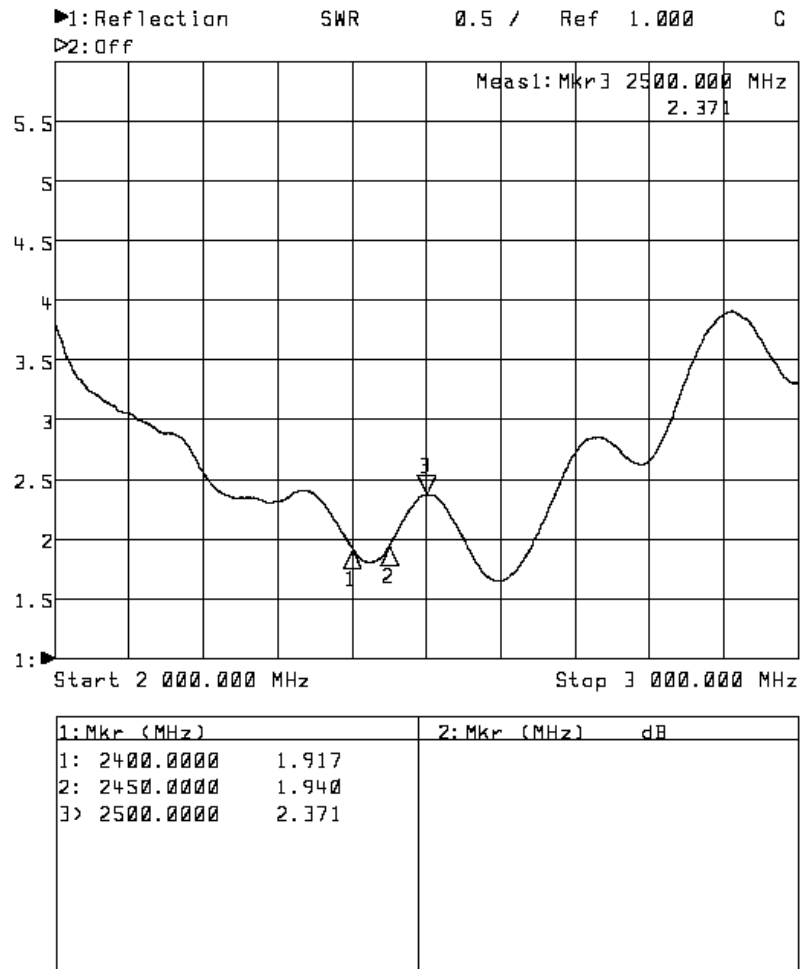
(dBi)	2400 MHz	2450 MHz	2500 MHz
XY-H	-8.34	-8.17	-8.10
XY--V	-13.21	-11.87	-11.13
Total Average Gain	-7.11	-6.63	-6.35

PEAK GAIN

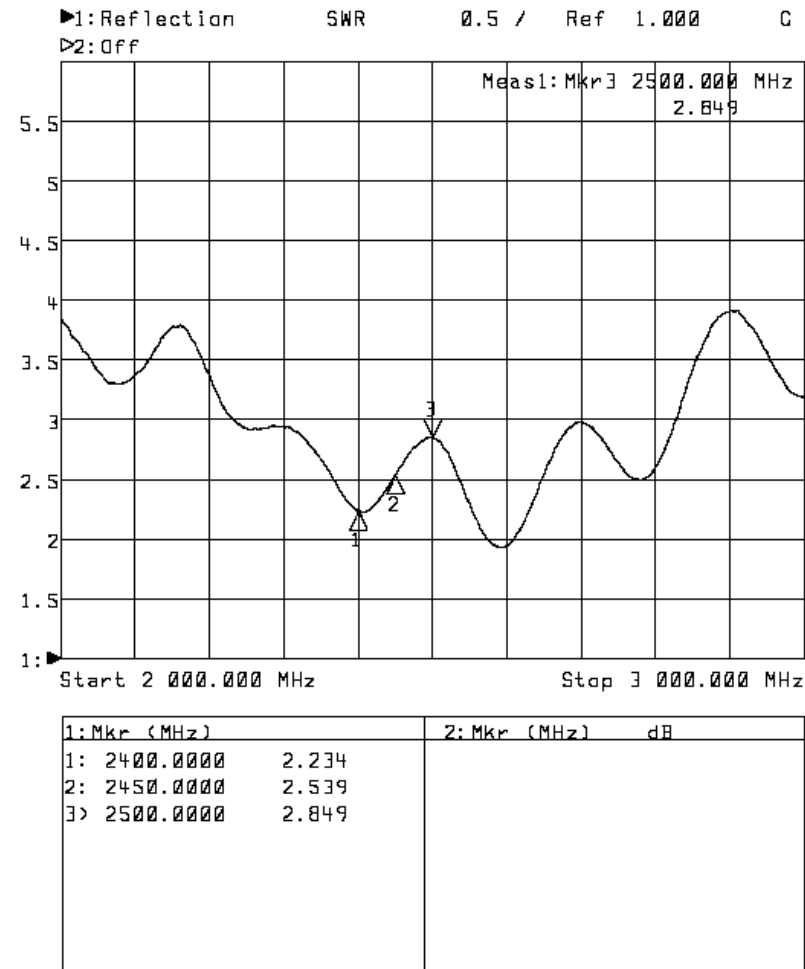
(dBi)	2400 MHz	2450 MHz	2500 MHz
XY-H	-2.17	-3.32	-3.49
XY--V	-7.90	-6.54	-6.48

VSWR For Right 14" LCD

1. LCD Open



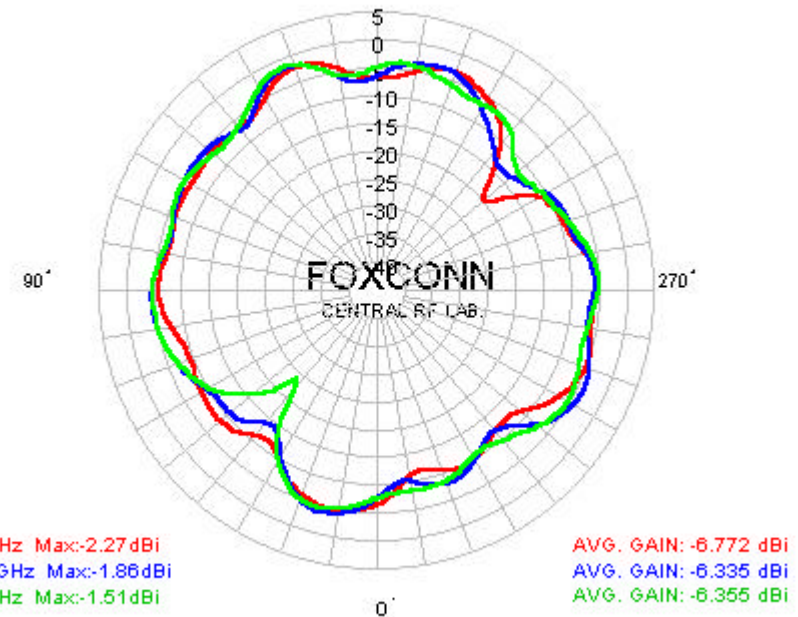
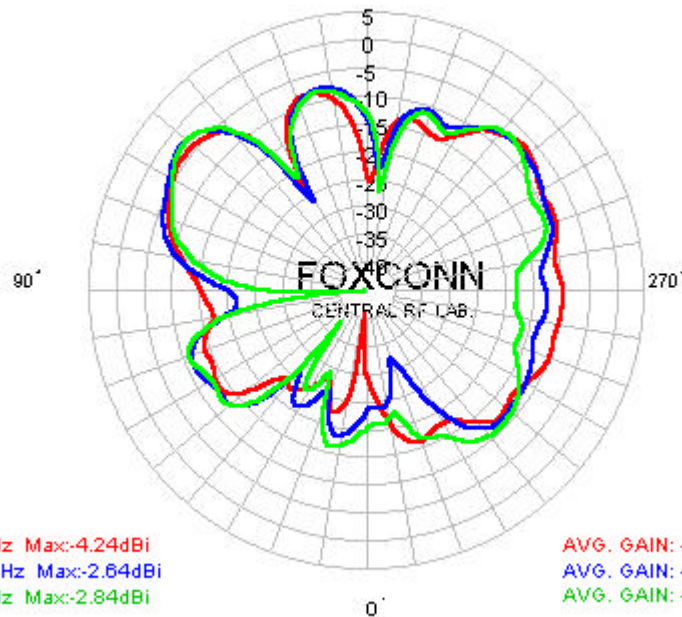
2. LCD Close



XY Plane Radiation Pattern For Right 14" LCD (Open)

HORIZONTAL POLARIZATION

VERTICAL POLARIZATION



Average Gain For Right 14" LCD Antenna (Open)

(dBi)	2400 MHz	2450 MHz	2500 MHz
XY-H	-10.91	-10.57	-11.13
XY--V	-6.77	-6.33	-6.35
Total Average Gain	-5.35	-4.94	-5.10

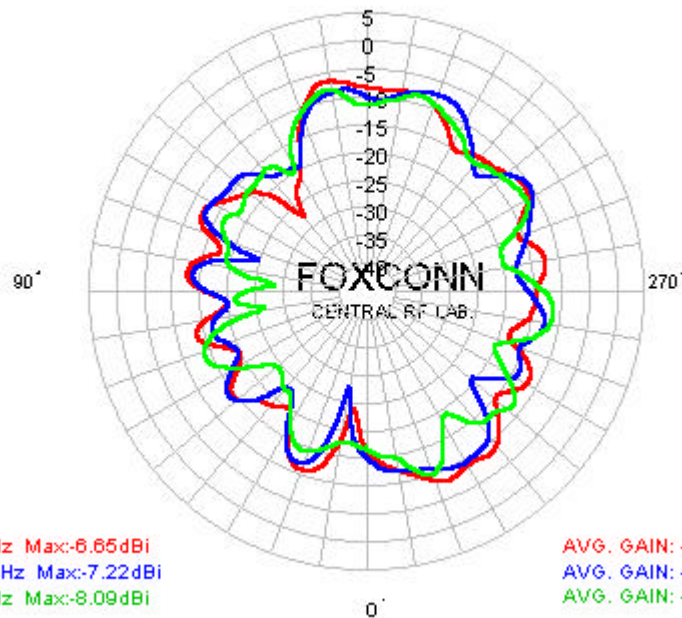
PEAK GAIN

(dBi)	2400 MHz	2450 MHz	2500 MHz
XY-H	-4.24	-2.64	-2.84
XY--V	-2.27	-1.86	-1.51

XY Plane Radiation Pattern For Right 14" LCD (Close)

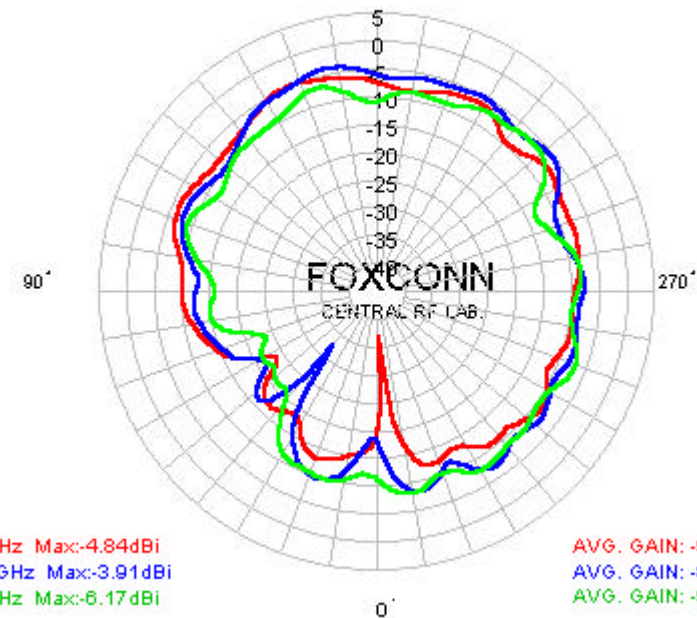
HORIZONTAL POLARIZATION

VERTICAL POLARIZATION



2.4 GHz Max:-6.65dBi
2.45 GHz Max:-7.22dBi
2.5 GHz Max:-8.09dBi

AVG. GAIN: -12.352 dBi
AVG. GAIN: -12.828 dBi
AVG. GAIN: -13.867 dBi



2.4 GHz Max:-4.84dBi
2.45 GHz Max:-3.91dBi
2.5 GHz Max:-6.17dBi

AVG. GAIN: -9.188 dBi
AVG. GAIN: -8.294 dBi
AVG. GAIN: -9.687 dBi

Average Gain For Right 14" LCD Antenna (Close)

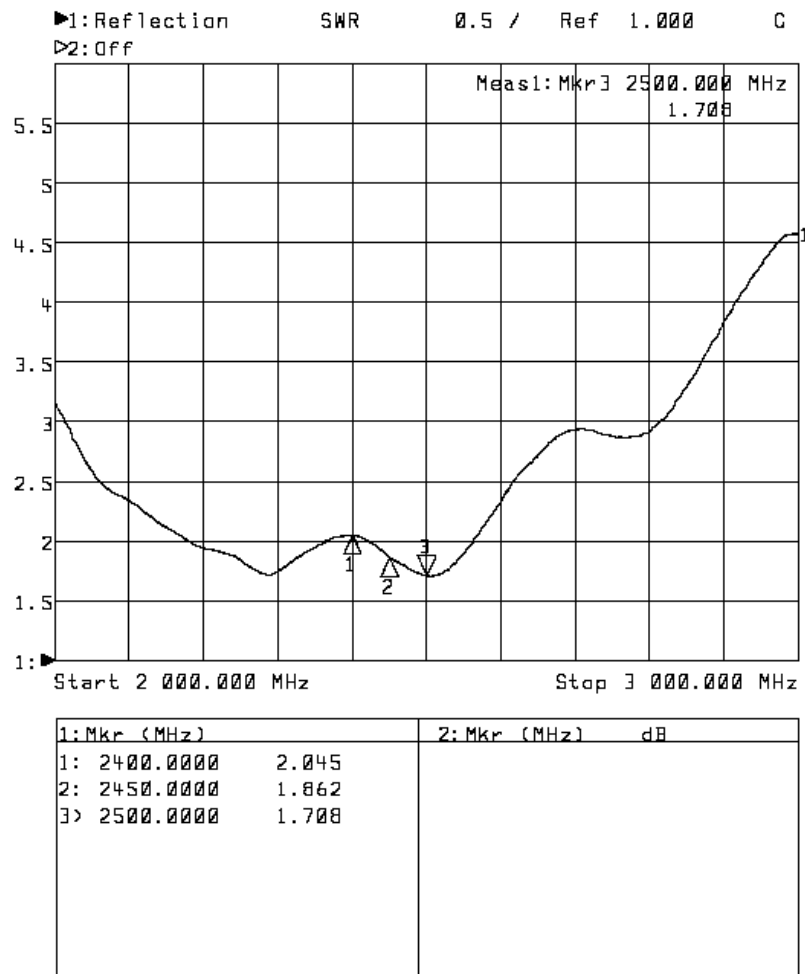
(dBi)	2400 MHz	2450 MHz	2500 MHz
XY-H	-12.35	-12.82	-13.86
XY--V	-9.18	-8.29	-9.68
Total Average Gain	-7.47	-6.98	-8.28

PEAK GAIN

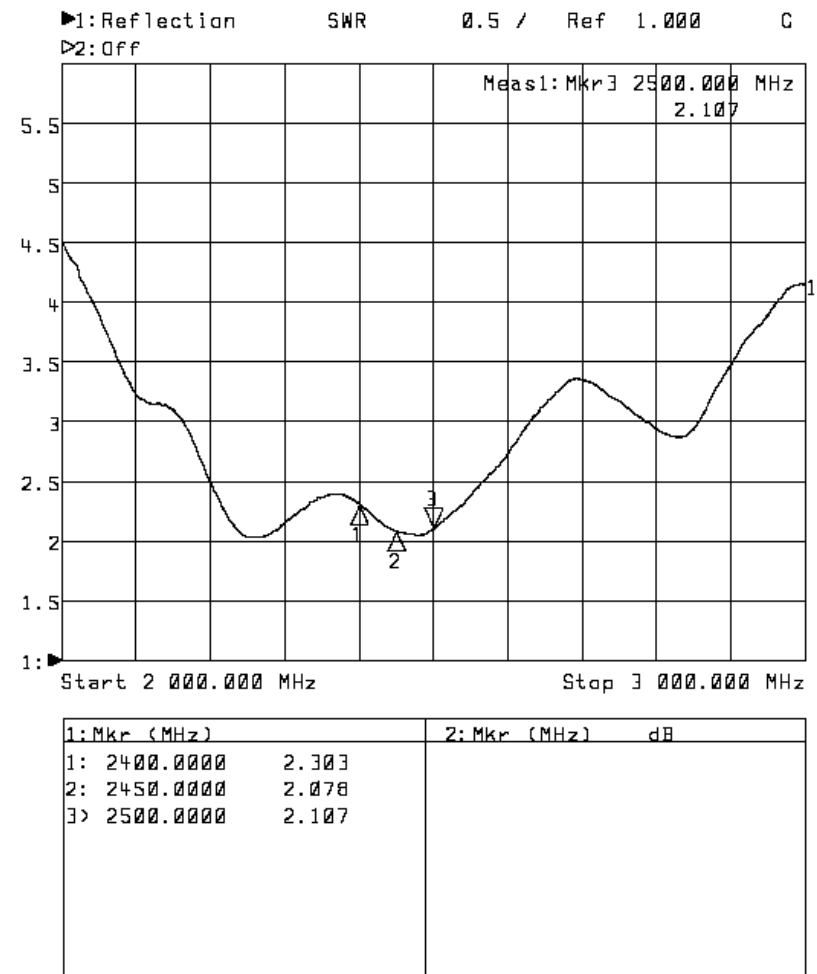
(dBi)	2400 MHz	2450 MHz	2500 MHz
XY-H	-6.65	-7.22	-8.09
XY--V	-4.84	-3.91	-6.17

VSWR For Left 15" LCD

1. LCD Open



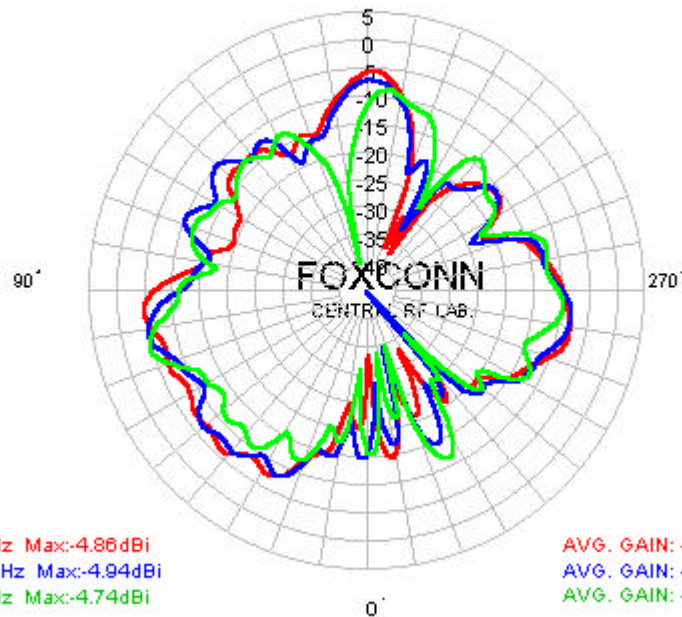
2. LCD Close



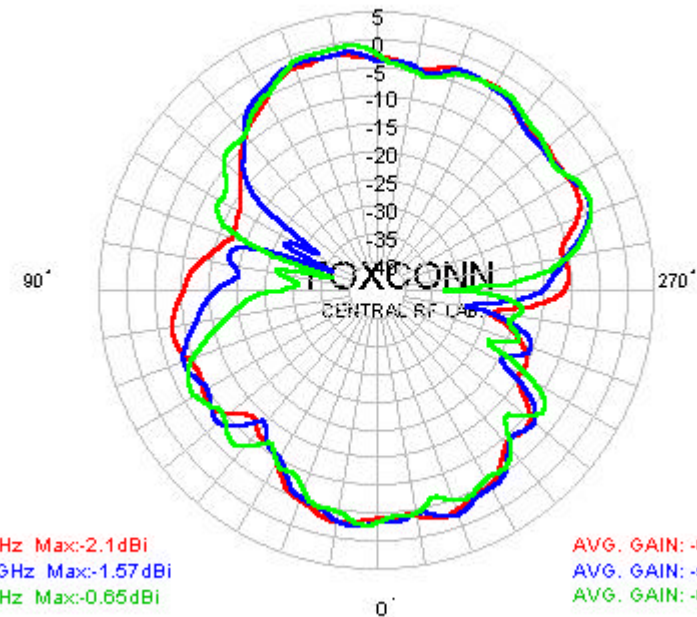
XY Plane Radiation Pattern For Left 15" LCD (Open)

HORIZONTAL POLARIZATION

VERTICAL POLARIZATION



AVG. GAIN: -11.26 dBi
AVG. GAIN: -11.556 dBi
AVG. GAIN: -12.902 dBi



AVG. GAIN: -6.052 dBi
AVG. GAIN: -5.937 dBi
AVG. GAIN: -6.032 dBi

Average Gain For Left 15" LCD Antenna (Open)

(dBi)	2400 MHz	2450 MHz	2500 MHz
XY-H	-11.26	-11.55	-12.90
XY--V	-6.05	-5.93	-6.03
Total Average Gain	-4.91	-4.88	-5.22

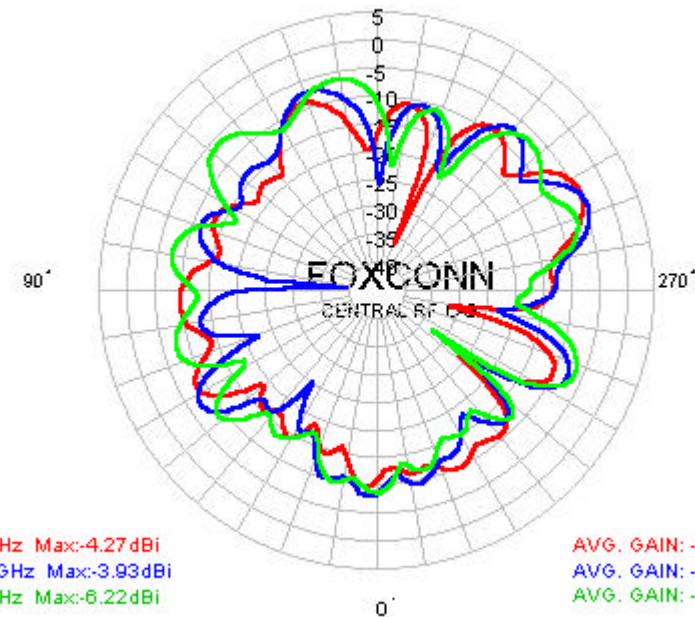
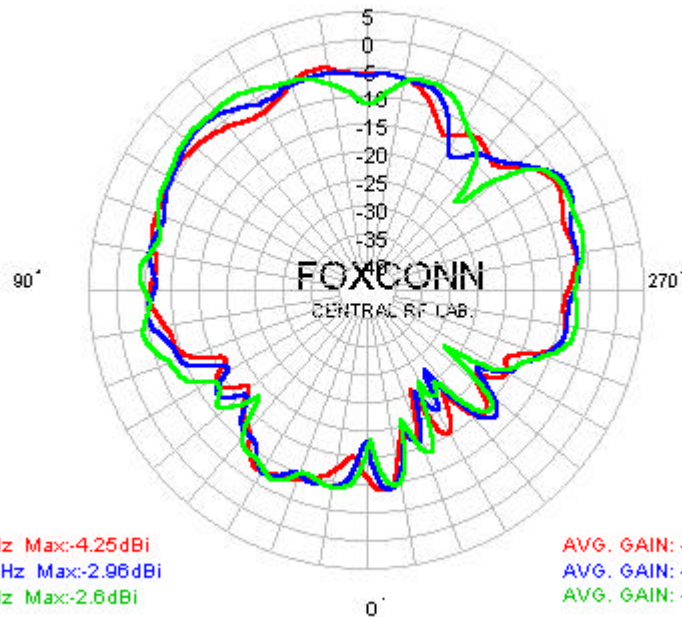
PEAK GAIN

(dBi)	2400 MHz	2450 MHz	2500 MHz
XY-H	-4.86	-4.94	-4.74
XY--V	-2.10	-1.57	-0.65

XY Plane Radiation Pattern For Left 15" LCD (Close)

HORIZONTAL POLARIZATION

VERTICAL POLARIZATION



Average Gain For Left 15" LCD Antenna (Close)

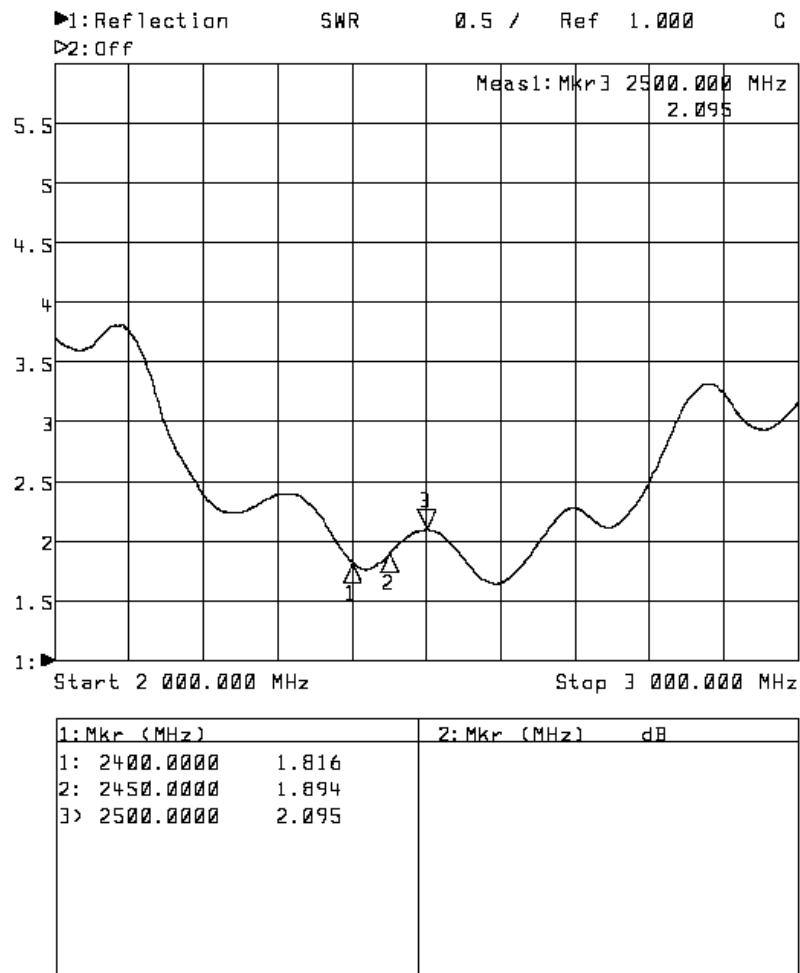
(dBi)	2400 MHz	2450 MHz	2500 MHz
XY-H	-8.35	-7.80	-7.23
XY--V	-11.55	-10.86	-10.15
Total Average Gain	-6.65	-6.06	-5.44

PEAK GAIN

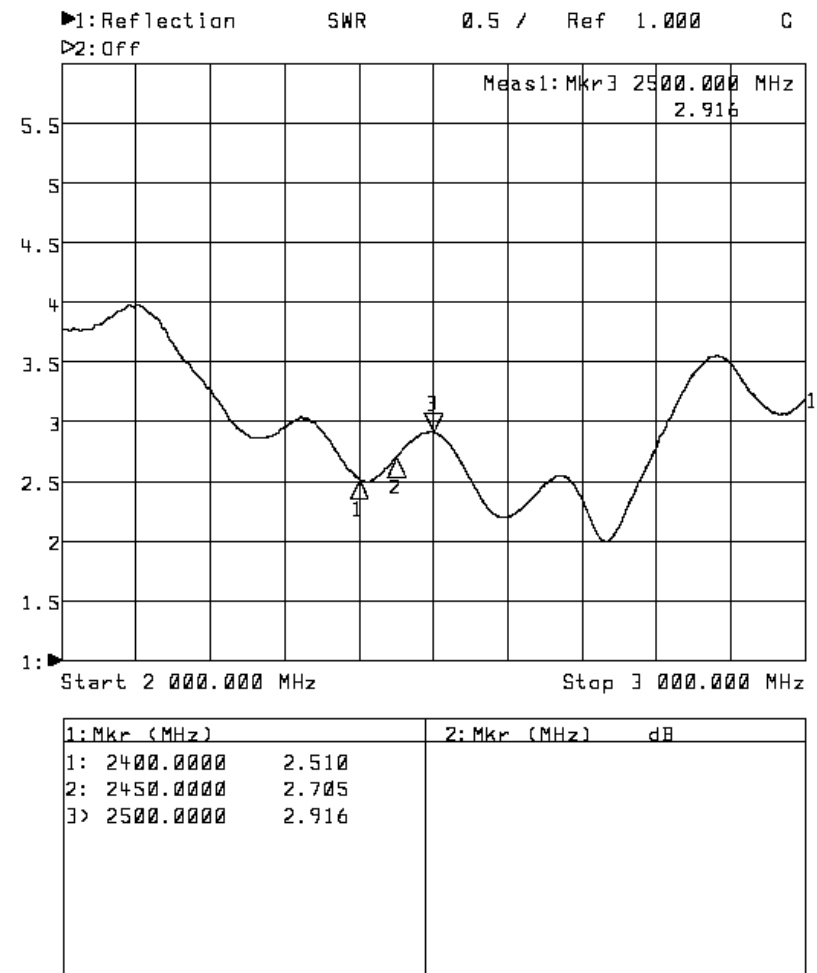
(dBi)	2400 MHz	2450 MHz	2500 MHz
XY-H	-4.25	-2.96	-2.60
XY--V	-4.27	-3.93	-6.22

VSWR For Right 15" LCD

1. LCD Open



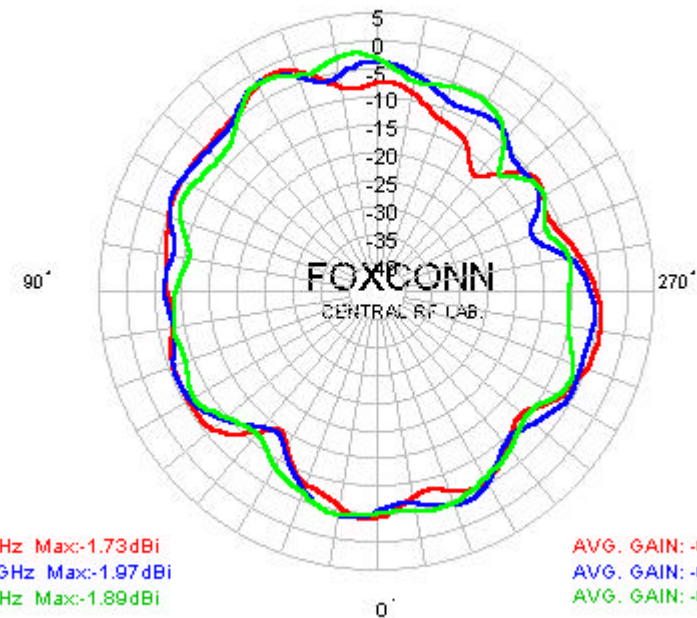
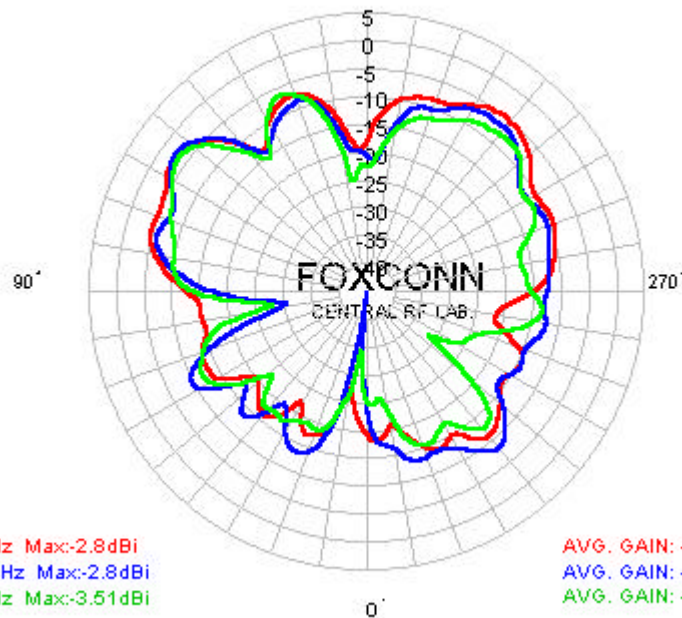
2. LCD Close



XY Plane Radiation Pattern For Right 15" LCD (Open)

HORIZONTAL POLARIZATION

VERTICAL POLARIZATION



Average Gain For Right 15" LCD Antenna (Open)

(dBi)	2400 MHz	2450 MHz	2500 MHz
XY-H	-9.92	-10.49	-11.83
XY--V	-6.59	-6.26	-5.55
Total Average Gain	-4.93	-4.87	-4.63

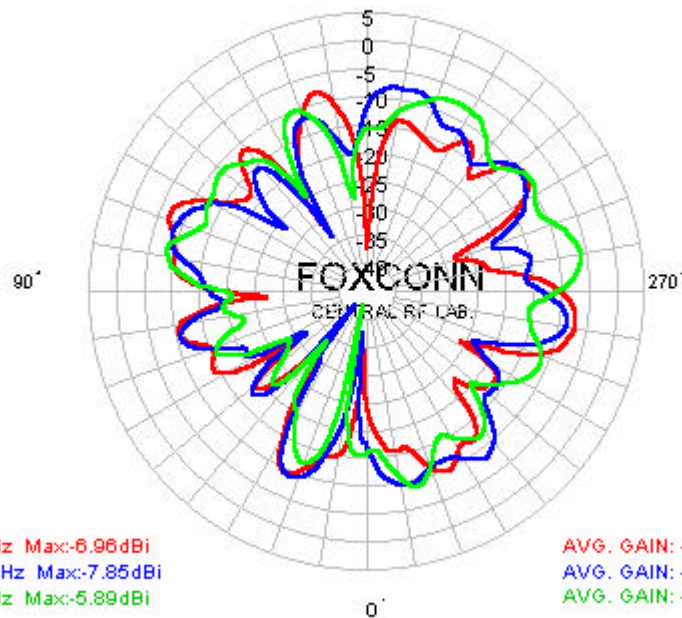
PEAK GAIN

(dBi)	2400 MHz	2450 MHz	2500 MHz
XY-H	-2.80	-2.80	-3.51
XY--V	-1.73	-1.97	-1.89

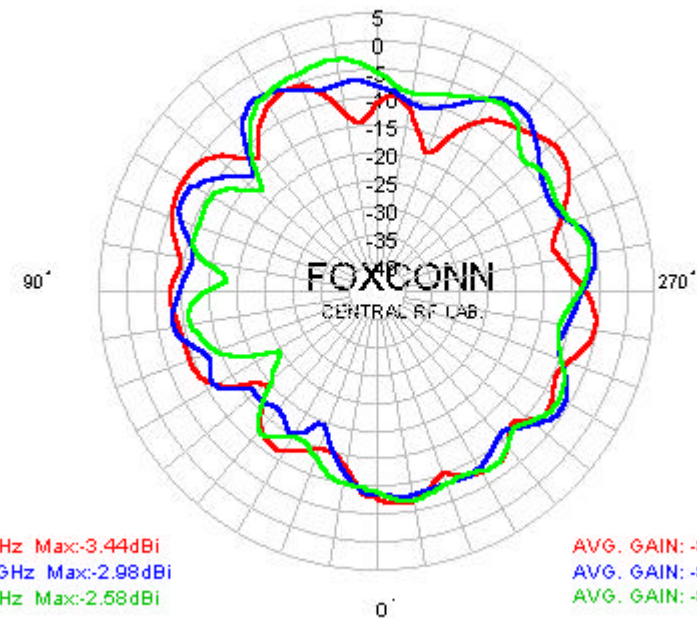
XY Plane Radiation Pattern For Right 15" LCD (Close)

HORIZONTAL POLARIZATION

VERTICAL POLARIZATION



AVG. GAIN: -12.993 dBi
AVG. GAIN: -12.884 dBi
AVG. GAIN: -12.154 dBi



AVG. GAIN: -8.214 dBi
AVG. GAIN: -8.153 dBi
AVG. GAIN: -8.162 dBi

Average Gain For Right 15" LCD Antenna (Close)

(dBi)	2400 MHz	2450 MHz	2500 MHz
XY-H	-12.99	-12.68	-12.15
XY--V	-8.21	-8.15	-8.16
Total Average Gain	-6.96	-6.84	-6.70

PEAK GAIN

(dBi)	2400 MHz	2450 MHz	2500 MHz
XY-H	-6.96	-7.85	-5.89
XY--V	-3.44	-2.98	-2.58

Summary Of Total Average Gain

14" LCD Open (Left)				15" LCD Open (Left)			
(dBi)	2400 MHz	2450 MHz	2500 MHz	(dBi)	2400 MHz	2450 MHz	2500 MHz
XY-H	-10.51	-9.77	-9.98	XY-H	-11.26	-11.55	-12.90
XY--V	-6.70	-6.16	-6.21	XY--V	-6.05	-5.93	-6.03
Total Average Gain	-5.19	-4.59	-4.69	Total Average Gain	-4.91	-4.88	-5.22
14" LCD Close (Left)				15" LCD Close (Left)			
(dBi)	2400 MHz	2450 MHz	2500 MHz	(dBi)	2400 MHz	2450 MHz	2500 MHz
XY-H	-8.34	-8.17	-8.10	XY-H	-8.35	-7.80	-7.23
XY--V	-13.21	-11.87	-11.13	XY--V	-11.55	-10.86	-10.15
Total Average Gain	-7.11	-6.63	-6.35	Total Average Gain	-6.65	-6.06	-5.44
14" LCD Open (Right)				15" LCD Open (Right)			
(dBi)	2400 MHz	2450 MHz	2500 MHz	(dBi)	2400 MHz	2450 MHz	2500 MHz
XY-H	-10.91	-10.57	-11.13	XY-H	-9.92	-10.49	-11.83
XY--V	-6.77	-6.33	-6.35	XY--V	-6.59	-6.26	-5.55
Total Average Gain	-5.35	-4.94	-5.10	Total Average Gain	-4.93	-4.87	-4.63
14" LCD Close (Right)				15" LCD Close (Right)			
(dBi)	2400 MHz	2450 MHz	2500 MHz	(dBi)	2400 MHz	2450 MHz	2500 MHz
XY-H	-12.35	-12.82	-13.86	XY-H	-12.99	-12.68	-12.15
XY--V	-9.18	-8.29	-9.68	XY--V	-8.21	-8.15	-8.16
Total Average Gain	-7.47	-6.98	-8.28	Total Average Gain	-6.96	-6.84	-6.70

Summary Of Peak Gain

14" LCD Open (Left)				15" LCD Open (Left)			
(dBi)	2400 MHz	2450 MHz	2500 MHz	(dBi)	2400 MHz	2450 MHz	2500 MHz
XY-H	-4.57	-4.20	-4.99	XY-H	-4.86	-4.94	-4.74
XY--V	-1.23	-0.95	-6.00	XY--V	-2.10	-1.57	-0.65
14" LCD Close (Left)				15" LCD Close (Left)			
(dBi)	2400 MHz	2450 MHz	2500 MHz	(dBi)	2400 MHz	2450 MHz	2500 MHz
XY-H	-2.17	-3.32	-3.49	XY-H	-4.25	-2.96	-2.60
XY--V	-7.90	-6.54	-6.48	XY--V	-4.27	-3.93	-6.22
14" LCD Open (Right)				15" LCD Open (Right)			
(dBi)	2400 MHz	2450 MHz	2500 MHz	(dBi)	2400 MHz	2450 MHz	2500 MHz
XY-H	-4.24	-2.64	-2.84	XY-H	-2.80	-2.80	-3.51
XY--V	-2.27	-1.86	-1.51	XY--V	-1.73	-1.97	-1.89
14" LCD Close (Right)				15" LCD Close (Right)			
(dBi)	2400 MHz	2450 MHz	2500 MHz	(dBi)	2400 MHz	2450 MHz	2500 MHz
XY-H	-6.65	-7.22	-8.09	XY-H	-6.96	-7.85	-5.89
XY--V	-4.84	-3.91	-6.17	XY--V	-3.44	-2.98	-2.58

TO QUANTA COMPUTER CORPORATION
SPECIFICATION FOR APPROVAL

CUSTOMER DWG. NO./PART NO.: TBD REV.: N/A

DESCRIPTION: RF CABLE ASS'Y

FOXCONN PROD. NO.: WDAN-Q1KT5001 REV.: AX1

ATTACHMENTS:

- | | |
|---------------------------------------|--------------|
| 1. RF CABLE ASSEMBLY DRAWING | 315-0900-097 |
| 2. DESIGN REVIEW FOR MATERIAL LIST... | ML-097 |
| 3. PART DRAWING | SGX0001-00 |
| | 703-3000-290 |
| | 014-0000-153 |
| | 040-0000-389 |

PLEASE RETURN TO US ONE COPY OF COVER PAGE OF THE
"SPECIFICATION FOR APPROVAL " WITH YOUR APPROVED SIGNATURES

APPROVED SIGNATURES		



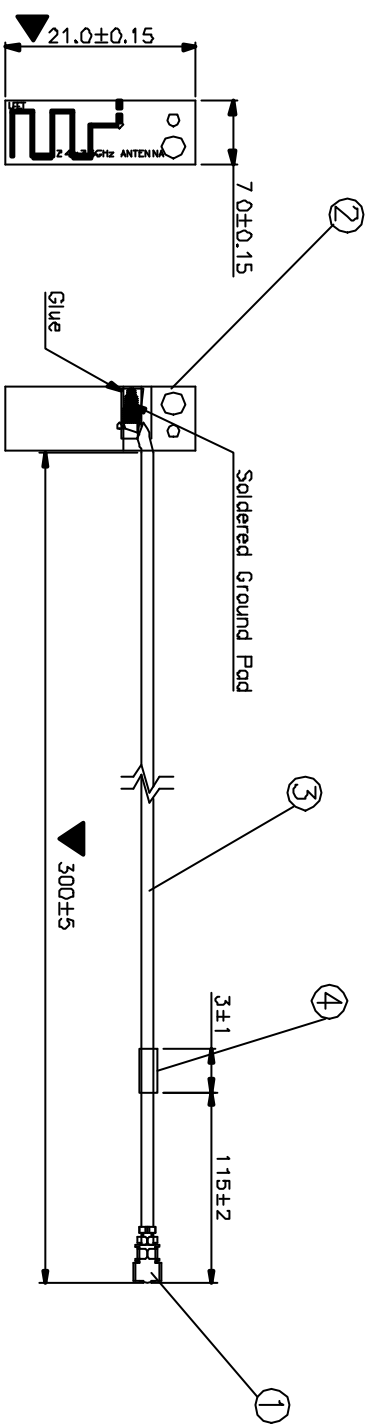
Hon Hai Precision Industry Co., Ltd.

2. TZU YU ST., TU-CHEN, TAIPEI HSIEN, 23606,
TAIWAN, R.O.C
TEL: (02) 2683466 (02) 2681477
TAIWAN, R.O.C
FAX: (02) 2687795 (02) 2683225
TLX. 32349 FOXCONNHH
UNIFORM INVOICE NUMBER: 04541302

Approved by: Sheng Checked by: _____ Prepared by: Paul Zhou

FILE NO.: SFA-097 REVISION NO.: AX1 DATE: Mac 5, 2002

REV.	ECN NO.	APPD.
AX1		



- NOTES:
1. ALL DIMENSIONS SHALL BE INTERPRETED PER ANSI Y14.5M-1982.
 2. DIMENSIONS MARKED ▼ SHALL BE CHECKED.

ITEM	DESCRIPTION	UNITS	mm	NAME(INTENDED USE)	QUANTA KT1 Left Antenna	FOXCONN P/N	FOXCONN: 080-2101-620	1 PCS	
④	H/S TUBE (WHITE)						080-2101-620	1 PCS	
③	30AWG SOLID COAXIAL CABLE						D14-3031-153 703-3000-290	A/R A/R	
②	ANTENNA PCB						040-0001-893	1 PCS	
①	RF CONNECTOR						SGX0001-00	1 PCS	
							FOXCONN P/N	QTY	
X±	X±								
X±	X±								
XXXX	XXXX								
THESE DRAWINGS AND SPECIFICATIONS ARE THE PROPERTY OF HON HAI PRECISION IND. CO., LTD. AND SHALL BE KEPT IN CONFIDENCE. NO REPRODUCTION OR USE OF THESE DRAWINGS OR SPECIFICATIONS IS PERMITTED WITHOUT THE WRITTEN CONSENT OF HON HAI PRECISION IND. CO., LTD.				CHKD: DR: Paul Zhou		DATE: 03.05.192			
APPD: W DAN-Q1KT5001				TITLE: ANTENNA CABLE		DWG NO.: 315-0900-097		SCALE SHEET REV. N/A 1/1 AX1	

1 2 3 4 5 6 7

A B C D E

DESIGN REVIEW FOR MATERIAL LIST

QUANTA P/N . TBD

NO : ML-097

DESCRIPTION . RF CABLE ASS'Y

PAGE . 1/1

ITEM	DESCRIPTION	SUPPLIER/AGENCY						QUANTA PART NUMBER	QUANTITY	REMARK
		SUPPLIER	SUPPLIER PART NO.	FOXCONN PART NO.	AVL	UL SUBMIT	CSA SUBMIT			
1	COAXIAL CABLE	HITACHI OR	HCM-40309/1	014-3031-153		N/A	N/A		A/R	
		ACTUONE	703-3000-290	703-3000-290		N/A	N/A		A/R	
2	RF CONN.	FOXCONN	SGX0001-00	SGX0001-00		N/A	N/A		1 PC	
3	PCB (LEFT)	FOXCONN	040-0001-893	040-0001-893		N/A	N/A		1 PC	

APPROVED BY: Sheng Tai 3/6/2002

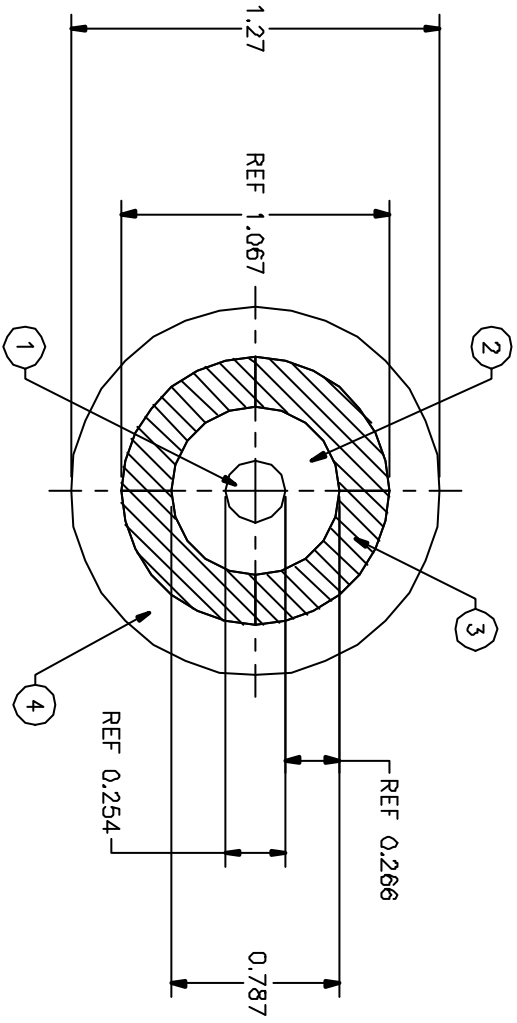
CHECKED BY: _____

PREPARED BY: Paul Zhou 3/5/2002

REV	ECN No.	APPL.	DATE
A	MC-01-0847	VINCENT	3/28/07
B	MC-01-0847	ALLEN	4/13/07
C	MC-01-1942		

ELECTRICAL		
IMPEDANCE	50	ohms
CAPACITANCE	30.5	pf/ft
CONDUCTOR RESISTANCE	860	ohms/KM
FREQUENCY (MHz)	ATTENUATION (dB/10ft)	
500	3	
1000	5	
2000	8	
3000	10	

RATINGS	
TEMPERATURE:	200°C/105°C
VOLTAGE:	30V
UL STYLE:	1894/1943



NOTES

- 1.PRIMARY INSULATION CONCENTRICITY = 85% MIN
2. NN : JACKET COLOR CODE
 00--BLACK 01-BROWN 02-RED 03-ORANGE
 04-YELLOW 05-GREEN 06-BLUE 07-PURPLE
 08-GRAY 09-WHITE 10-CLEAR 99-NATURAL
- 3 BRAIDING COVERAGE TO BE 95 % MIN.
- 4.DIELECTRIC STRENGTH:1.25KVAC/min
- 5 JACKET CONCENTRICITY = 80% MIN

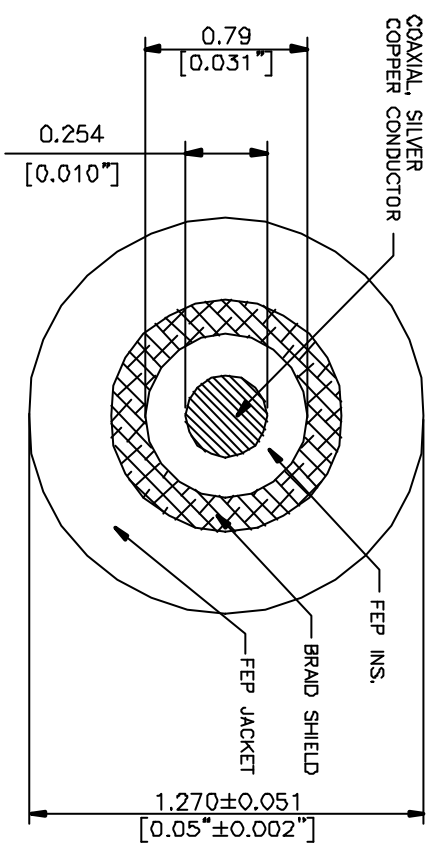
ITEM	QTY	PART No	DESCRIPTION
4	A/R	902-***1-*24	JACKET INSULATION, FEP #
3	A/R	904-44**-616	GENDS/ 44 AWG TINNED PLATED BRAIDING
2	A/R	902-***1-*24	PRIMARY INSULATION, FEP #
1	A/R	904-30**-851	30 AWG, SOLID SILVER PLATED COPPER CLAD STEEL

BILL OF MATERIALS		UNITS		MATERIALS	
		mm		COAXIAL CABLE	FOXCONN
				SEE BOM	HON HAI PRESSION IND CO.,LTD
				SEE NOTES	
				703-30NN-290	

THESE DRAWINGS AND SPECS, ARE THE PROPERTY OF HON HAI AND SHALL NOT BE REPRODUCED, COPIED, OR USED IN ANY MANNER WITHOUT THE WRITTEN CONSENT OF HON HAI PRESSION IND. CO., LTD	
DESIGN	CHECKED
DWG No.	703-3000-290
TITLE	RF CABLE
30 AWG, CONSTRUCTION	
SCALE	NONE
SHEET	1/1
REV.	C

REV.	EGN. NO	APPD
D	MC00176B	Lot 5/12/06

- NOTES:
1. CAPACTANCE: 30.5 pF/FT.
 2. CONDUCTOR RESISTANCE: 264 OHMS/M' AT 20°C.
 3. CONDUCTOR: 30 AWG,SOLID SP COPPERWELD 0.010" NOM. OD.
 4. INSULATION: 30AWG, FEP, 0.031" OD., 0.0107" AVG WALL
 5. BRAID SHIELD: 30AWG, 6 ENDS 44 AWG TINNED COPPER,95% MIN. COVERAGE.
 6. JACKET: 30AWG, FEP,0.050"±0.002" OD., 0.004" AVG WALL.
 7. TEMPERATURE RATING: -70°C~+200°C.
 8. NO MARKING.



014-3031-153	HITACHI, HCM-40309/1	30AWG	BLACK
FOXCONN P/N	VENDOR & P/N	AWG	JACKET COLOR
X±	X±	UNITS [MM]	NAME(INTENDED USE)
.X±	.X±	MAT'L	
.XX± 0.05	.XX±	FINISH	PART NO.(INTENDED USE)
.XXX±	.XXX±		TITLE
THESE DIMENSIONS AND SPECIFICATIONS ARE THE PROPERTY OF HON HAI PRECISION IND CO, LTD AND SHALL NOT BE REPRODUCED OR USED IN ANY MANNER WITHOUT PERMISSION OF HON HAI		QTY	DWG NO: 014-0000-153
APPD: Sheng Tai		DR: Duke Du	1/17/2001
CHKD:		SCALE	SHEET
		N/A	1/1
		REV.	D

COAXIAL CABLE

FOXCONN
HON HAI PRECISION IND. CO.,LTD.
TAIPEI, TAIWAN, R.O.C.



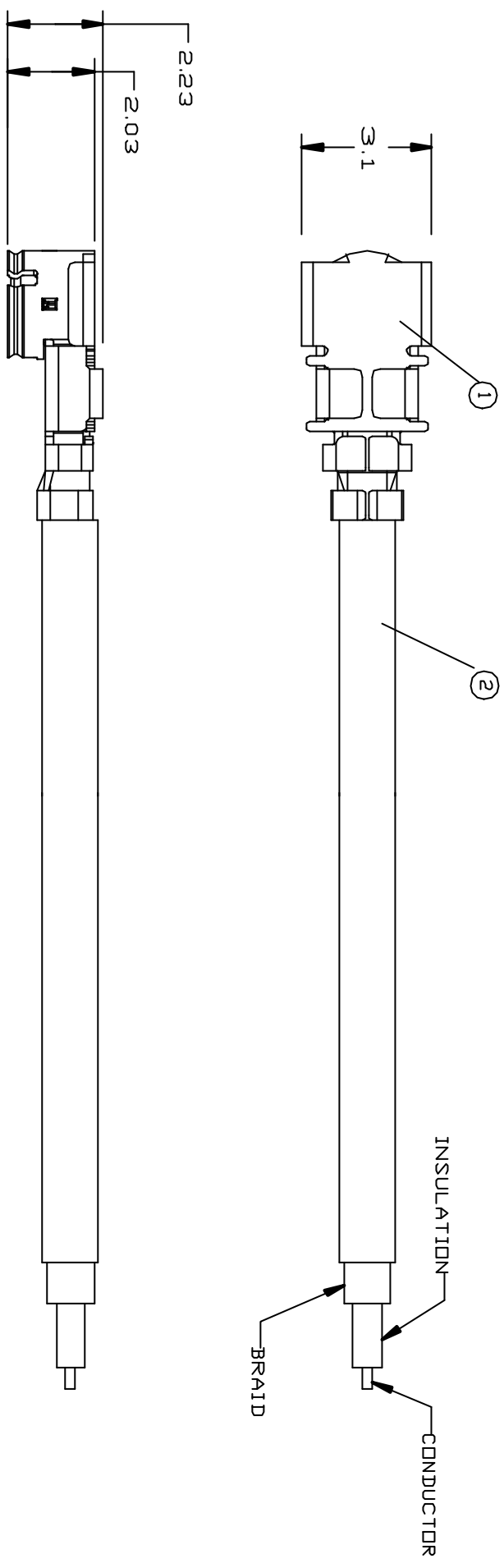
SCALE 10,000

GENERAL SPECIFICATION:

1. CONTACT RESISTANCE: 20 MILLIOHMS MAX.
2. INSULATION RESISTANCE: 500 MEGOHMS MIN.
3. WITHSTAND VOLTAGE 200 V_{AC}
4. CONNECTOR V.S.W.R.: 1.3 OR LESS AT DC TD 3 GHz
5. OPERATION TEMPERATURE: -40°C TD 90°C

RF CABLE ASSEMBLY MATERIAL:

1. CONTACT: COPPER ALLOY, GOLD PLATING
2. HOUSING: THERMOPLASTIC, UL 94V-0 RATED
3. METAL SHELL: COPPER ALLOY, SILVER PLATING
4. CABLE: 30AWG&32AWG SOLID COAXIAL CABLE.
5. PART NO. MATRIX: SGX0001-00



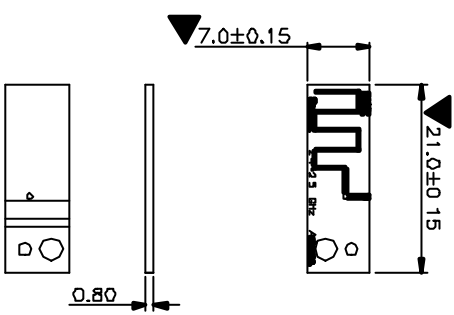
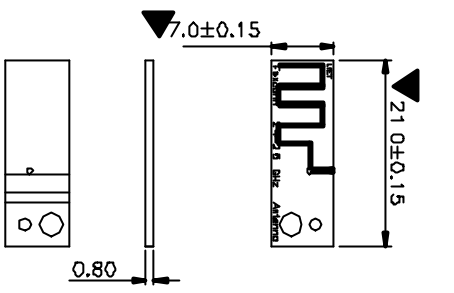
ITEM	PART NAME	FOXCONN PART NO.	EQUIVALENT VENDOR & PART NO.	Q'TY
2	WIRE	703-3000-291	30AWG SLD COAXIAL CABLE	A/R
1	RF CONN.	SGX0001-00	FOXCONN: EP01-025-001	1 PCS

X. ±	X. ±	UNITS	NAME/INTENDED USE	FOXCONN
X ± 0.1	X ±	MAT'L	SGX0001-00	HON HAI PRECISION IND. CO., LTD. TAPPEI, TAIWAN, R.O.C.
.XX ± 0.1	.XX ±	SEE NOTES	PART NO./INTENDED USE	TITLE: RF CABLE ASSEMBLY
.XXX ±	.XXX ±	FINISH	SGX0001-00	
		Q'TY	APPD: D. KD	DWG NO: EP01-025-001
			CHKD:	SCALE SHEET REV.
			DR: D. KD 12/2/00	10:1 1/1 X2

REV.	ECN. NO.	APPD.
X2		D. KD

REV.	EQU. NO.	APPD.
X1		

- NOTES:
1. ALL DIMENSIONS SHALL BE INTERPRETED PER ANSI Y14.5M-1982.
 2. DIMENSIONS MARKED ▼ SHALL BE CHECKED.
 3. PCB'S MATERIAL : FR-4, THICKNESS 0.8MM.



2	040-0002-893	II
1	040-0001-893	I
ITEM	P/N	TYPE

FOXCONN
 HON HAI PRECISION IND. CO. LTD
 TAPEI, TAIWAN, R.O.C.

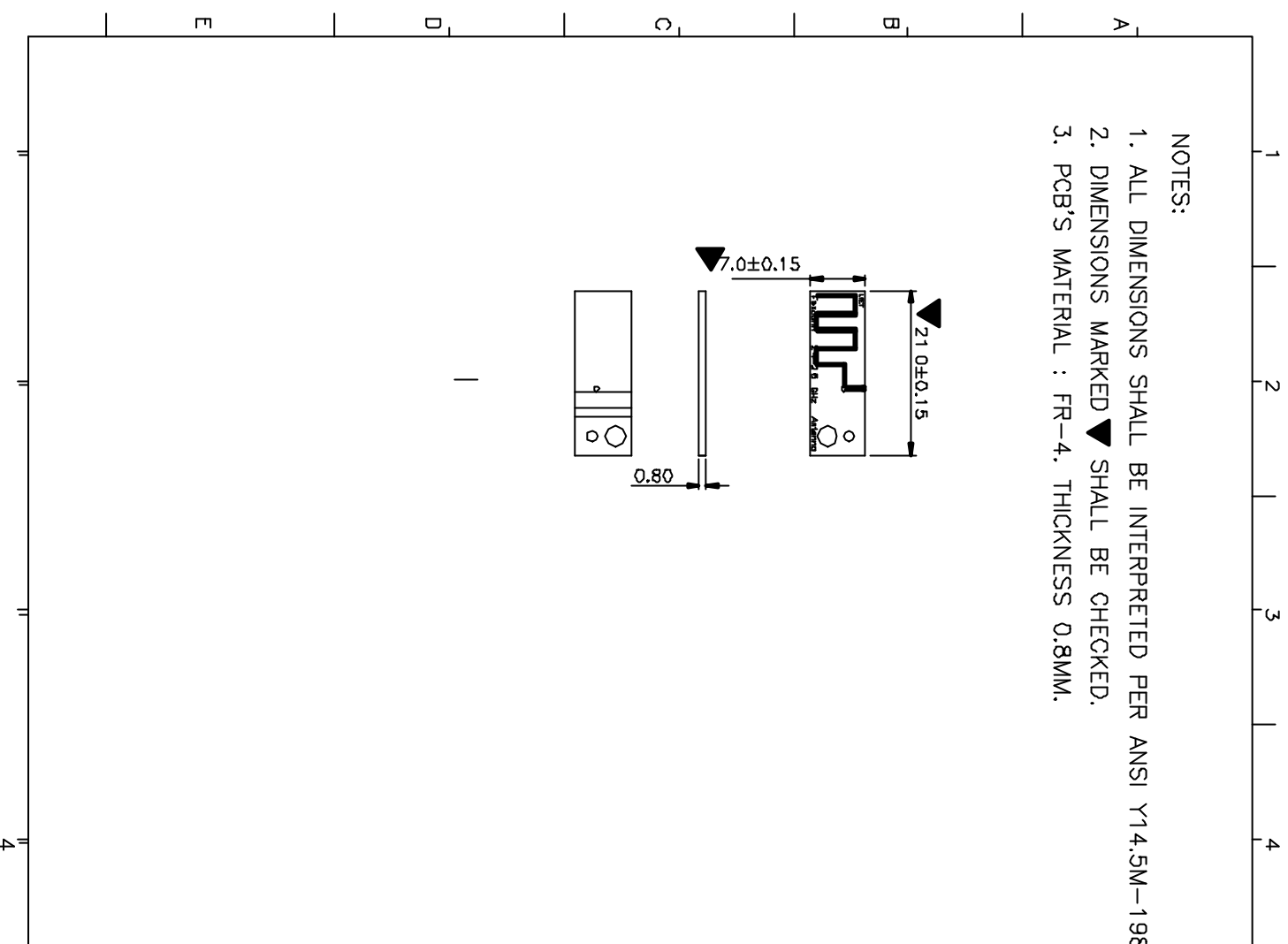
TITLE: PCB ANTENNA

DWG NO.: 040-0000-893

SCALE	SHEET	REV.
N/A	1/1	X1

K.±	K.±	UNITS	mm
x± ±0.2	x±	MATL	
.xx± ±0.1	.xx±	FINISH	3
.xxx±	.xxx±		
NAME(INTENDED USE)		Q'TY	
FOR QUANTA KTS			
PART NO.(INTENDED USE)			
APPD:	Sheng Tai 3/5/06		
CHKD:	DR/Paul Zhou 3/5/02		

THESE DRAWINGS AND SPECIFICATIONS ARE THE PROPERTY OF HON HAI PRECISION IND. CO. LTD. AND SHALL NOT BE REPRODUCED, COPIED, OR TRANSMITTED IN ANY FORM OR BY ANY MEANS WITHOUT THE WRITTEN CONSENT OF HON HAI PRECISION IND. CO. LTD.



NOTES:

▲ UL MARKING.

2. RATING : UL 224, 125°C, 600V, VW-1
CSA, 125°C, 600V, OFT

3. DIELECTRIC STRENGTH : 500 V/MIL

4. VOLUME RESISTIVITY : 10^{14} OHM-CM.

5. TENSILE STRENGTH : 10.3 MPa (1500 psi) MIN..

6. PART NO. MATRIX: 080- A B CC - 620

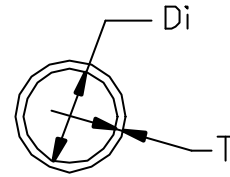
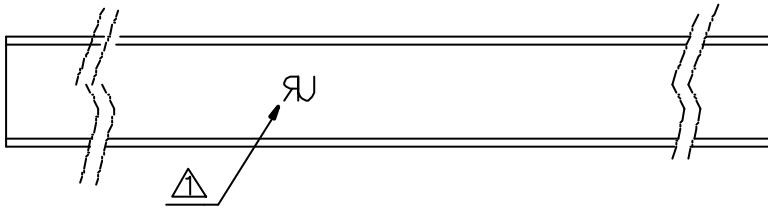
A: EQUIVALENT VENDER & PRODUCT

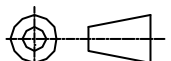
- A=0: SUMITUBE F2-*
- A=1: FAVORTRON FVC-2-*
- A=2: SUMITUBE F32-*
- A=3: CHANGBAO 102-*
- A=4: SUMITUBE F4-*
- A=5: HB T*φ

CC: INSIDE DIMENSION ID.

- B: COLOR
- B=0: BLACK.
- B=1: WHITE.
- B=2: RED.
- B=3: BLUE.
- B=4: GREEN.
- B=5: YELLOW.
- B=6: ORANGE.
- B=7: PURPLE.
- B=8: GRAY


REV.	ECN. NO.	APPD.
A	HC95121	JEFF C. 1/20/95
B	HC96190	C. CHEN 2/7/96
C	HC96670	C. CHEN 5/7/96
D	HC961695	CHARLES
E	HC971231	C. CHEN 6/18/97
F	MC991918	LAI 5/31/99
G	MC993360	LAI 10/16/99
H	MCD01163	LAI 4/11/2000
K		

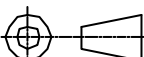


X.±	X°.±	UNITS mm	NAME(INTENDED USE)	FOXCONN HON HAI PRECISION IND. CO.,LTD. TAIPEI, TAIWAN, R.O.C.						
.X± 0.2	.X°.±	MAT'L	PART NO.(INTENDED USE)							
.XX± 0.15	.XX°.±	FINISH	APPD: H.C.ZHENG 6/15'2001	TITLE: HEAT SHRINKABLE TUBE						
.XXX±	.XXX°.±		Q'TY	CHKD:	DWG NO.: 080-0000-620					
THESE DRAWINGS AND SPECIFICATIONS ARE THE PROPERTY OF HON HAI PRECISION IND CO., LTD. AND SHALL NOT BE REPRODUCED COPIED OR USED IN ANY MANNER WITHOUT THE PRIOR WRITTEN CONSENT OF HON HAI PRECISION IND CO., LTD.			DR: H.C.ZHENG 6/15'2001	 <table border="1"> <tr> <th>SCALE</th> <th>SHEET</th> <th>REV.</th> </tr> <tr> <td>N/A</td> <td>1/2</td> <td>K</td> </tr> </table>	SCALE	SHEET	REV.	N/A	1/2	K
			SCALE	SHEET	REV.					
N/A	1/2	K								

REV.	ECN.	NO.	APPD

080-**25-620	0.8	0.13	0.4	0.20
080-**24-620	14.0	0.30	7.0	0.64
080-**23-620	1.0	0.20	0.5	0.33
080-**22-620	50.0	0.40	25.0	0.87
080-**21-620	38.0	0.40	19.0	0.87
080-**20-620	30.0	0.40	15.0	0.87
080-**19-620	25.0	0.40	12.5	0.87
080-**18-620	22.0	0.40	11.0	0.77
080-**17-620	20.0	0.35	10.0	0.77
080-**16-620	18.0	0.35	9.0	0.77
080-**15-620	16.0	0.30	8.0	0.69
080-**14-620	12.0	0.25	6.0	0.56
080-**13-620	11.0	0.25	5.5	0.56
080-**12-620	10.0	0.25	5.0	0.56
080-**11-620	9.0	0.25	4.5	0.56
080-**10-620	8.0	0.25	4.0	0.56
080-**09-620	7.0	0.25	3.5	0.56
080-**08-620	6.0	0.25	3.0	0.56
080-**07-620	5.0	0.25	2.5	0.56
080-**06-620	4.0	0.25	2.0	0.44
080-**05-620	3.5	0.25	1.75	0.44
080-**04-620	3.0	0.25	1.50	0.44
080-**03-620	2.5	0.25	1.25	0.44
080-**02-620	2.0	0.25	1.00	0.44
080-**01-620	1.5	0.20	0.75	0.36

Part Number 	Inside Diameter, Di (min.)	Wall Thickness, T (nomi.)	Inside Diameter, Di (max.)	Wall Thickness, T (min.)
	As Supplied		After Shrinkage	

X.±	X°.±	UNITS mm	NAME(INTENDED USE)	FOXCONN			
.X± 0.2	.X°.±	MAT'L	PART NO.(INTENDED USE)	HON HAI PRECISION IND. CO.,LTD. TAIPEI, TAIWAN, R.O.C.			
.XX± 0.15	.XX°.±			TITLE: HEAT SHRINKABLE TUBE			
.XXX±	.XXX°.±	FINISH	APPD: H.C.ZHENG 6/15'2001	DWG NO.: 080-0000-620			
THESE DRAWINGS AND SPECIFICATIONS ARE THE PROPERTY OF HON HAI PRECISION IND. CO., LTD AND SHALL NOT BE REPRDDUCED. COPIED OR USED IN ANY MANNER WITHOUT THE PRIOR WRITTEN CONSENT OF HON HAI PRECISION IND CO, LTD		Q'TY	CHKD:		SCALE	SHEET	REV.
			DR: H.C.ZHENG 6/15'2001		N/A	2/2	K

TO QUANTA COMPUTER CORPORATION
SPECIFICATION FOR APPROVAL

CUSTOMER DWG. NO./PART NO.: TBD REV.: N/A

DESCRIPTION: RF CABLE ASS'Y

FOXCONN PROD. NO.: WDAN-Q1KT5002 REV.: A

ATTACHMENTS:

- | | |
|--------------------------------------|---------------------|
| 1. RF CABLE ASSEMBLY DRAWING | <u>315-0900-098</u> |
| 2. DESIGN REVIEW FOR MATERIAL LIST.. | <u>ML-098</u> |
| 3. PART DRAWING | <u>SGX0001-00</u> |
| | <u>703-3000-290</u> |
| | <u>014-0000-153</u> |
| | <u>040-0000-389</u> |

PLEASE RETURN TO US ONE COPY OF COVER PAGE OF THE
"SPECIFICATION FOR APPROVAL " WITH YOUR APPROVED SIGNATURES.

APPROVED SIGNATURES		



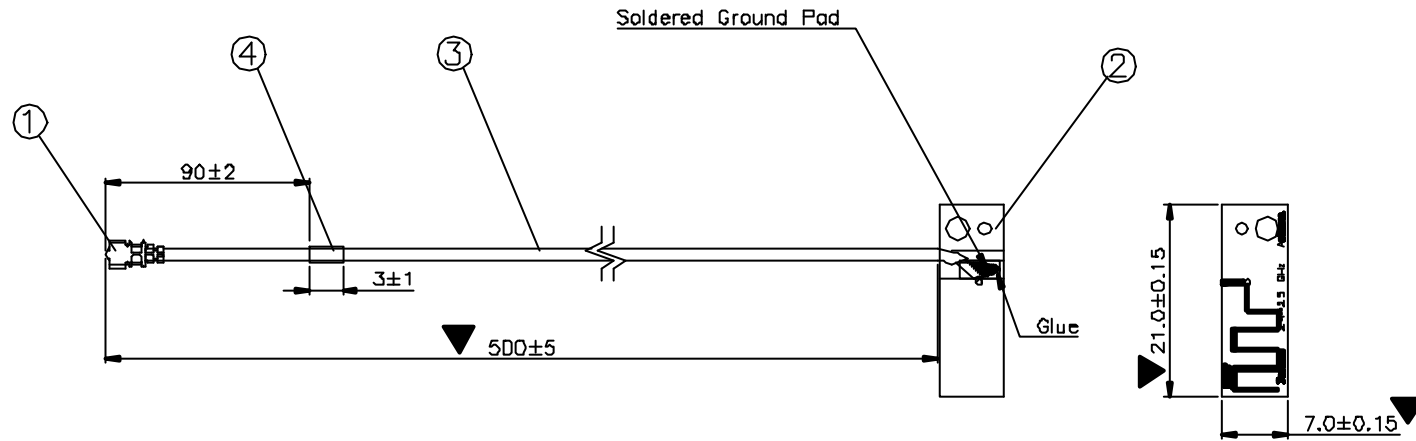
Hon Hai Precision Industry Co., Ltd.

2. TZU YU ST., TU-CHEN, TAIPEI HSIEN, 23606,
TAIWAN, R.O.C
TEL: (02) 2683466 (02) 2681477
TAIWAN, R.O.C
FAX: (02) 2687795 (02) 2683225
TLX: 32349 FOXCONNHH
UNIFORM INVOICE NUMBER: 04541302

Approved by: Sheng Checked by: _____ Prepared by: Paul Zhou

FILE NO.: SFA-098 REVISION NO.: A DATE: Mac 5, 2002

REV.	ECN	NO	APPD.
AX1			



④	H.S TUBE (WHITE)	080-2101-820	FOXCONN: 080-2101-820	1 PCS
③	30AWG SOLID COAXIAL CABLE	D14-3031-153 703-3000-290	FOXCONN: 014-3031-153 FOXCONN: 703-3000-290	A/R A/R
②	ANTENNA PCB	040-0002-893	FOXCONN: 040-0002-893	1 PCS
①	RF CONNECTOR	SGX0001-00	FOXCONN: SGX0001-00	1 PCS
ITEM	DESCRIPTION	FOXCONN P/N	VENDOR P/N	Q'TY

NOTES:

1. ALL DIMENSIONS SHALL BE INTERPRETED PER ANSI Y14.5M-1982.
2. DIMENSIONS MARKED ▼ SHALL BE CHECKED.

X.±	X°±	UNITS	mm	NAME (INTENDED USE)	FOXCONN HON HAI PRECISION IND. CO.,LTD. TAIPEI, TAIWAN, R.O.C.
X±	.X°±	MAT'L		QUANTA KT1 Right Antenna	
XX±	.XX°±	FINISH		PART NO. (INTENDED USE)	TITLE:
XXX±	.XXX°±				WDAN-Q1KT5002
THESE DRAWINGS AND SPECIFICATIONS ARE THE PROPERTY OF HON HAI PRECISION IND. CO., LTD. AND SHALL NOT BE REPRODUCED, COPIED OR USED IN ANY MANNER WITHOUT THE PRIOR WRITTEN CONSENT OF HON HAI PRECISION IND CO., LTD.				APPD:	DWG NO.:
				CHKD:	315-0900-098
				DR: Paul Zhou	02.25 '02
					SCALE SHEET REV. N/A 1/1 AX1

DESIGN REVIEW FOR MATERIAL LIST

QUANTA P/N . TBD

NO : ML-098

DESCRIPTION . RF CABLE ASS'Y

PAGE . 1/1

ITEM	DESCRIPTION	SUPPLIER/AGENCY						QUANTA PART NUMBER	QUANTITY	REMARK
		SUPPLIER	SUPPLIER PART NO.	FOXCONN PART NO.	AVL	UL SUBMIT	CSA SUBMIT			
1	COAXIAL CABLE	HITACHI OR	HCM-40309/1	014-3031-153		N/A	N/A		A/R	
		ACTUONE	703-3000-290	703-3000-290		N/A	N/A		A/R	
2	RF CONN.	FOXCONN	SGX0001-00	SGX0001-00		N/A	N/A		1 PC	
3	PCB (RIGHT)	FOXCONN	040-0002-893	040-0002-893		N/A	N/A		1 PC	

APPROVED BY: Sheng Tai 3/6/2002

CHECKED BY: _____

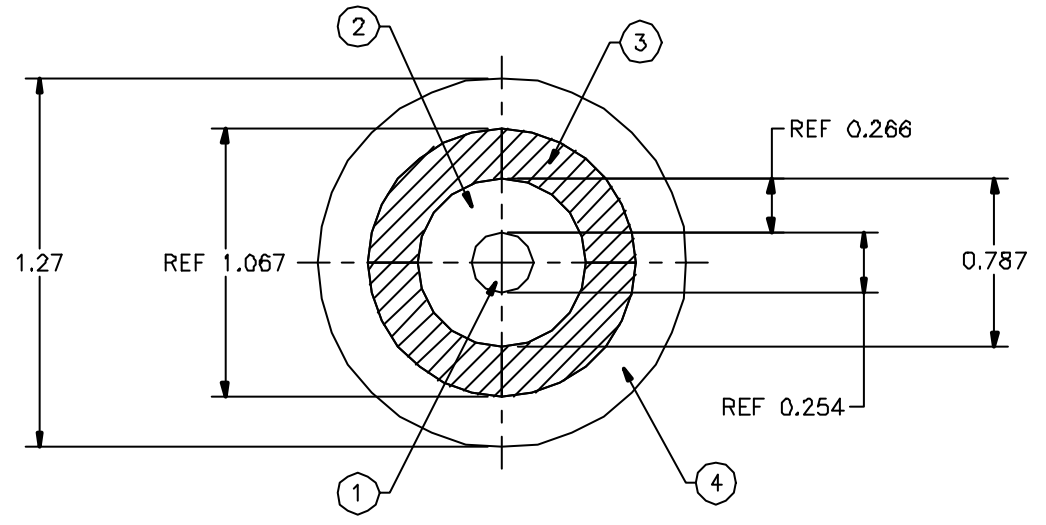
PREPARED BY: Paul Zhou 3/5/2002

ELECTRICAL		
IMPEDANCE	50	ohms
CAPACITANCE	30.5	pF/ft
CONDUCTOR RESISTANCE	860	ohms/KM

FREQUENCY (MHz)	ATTENUATION (dB/10ft)
500	3
1000	5
2000	8
3000	10

RATINGS	
TEMPERATURE:	200°C/105°C
VOLTAGE:	30V
UL STYLE:	1894/1943

REV	ECN No.	APPD.	DATE
A	MC-01-0847	VINCENT	3/28'01
B	MC-01-0847	ALLEN	4/13'01
C	MC-01-1942		



NOTES

- 1.PRIMARY INSULATION CONCENTRICITY = 85% MIN
2. NN : JACKET COLOR CODE
 00--BLACK 01--BROWN 02--RED 03--ORANGE
 04--YELLOW 05--GREEN 06--BLUE 07--PURPLE
 08--GRAY 09--WHITE 10--CLEAR 99--NATURAL
- 3 BRAIDING COVERAGE TO BE 95 % MIN.
- 4.DIELECTRIC STRENGTH:1.25KVAC/min
- 5 JACKET CONCENTRICITY = 80% MIN

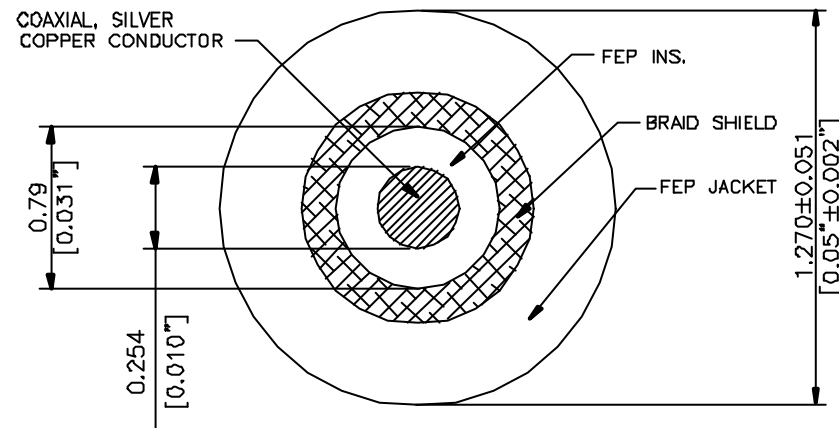
4	A/R	902-***1-*24	JACKET INSULATION, FEP #
3	A/R	904-44**-*616	6ENDS/ 44 AWG TINNED PLATED BRAIDING
2	A/R	902-***1-*24	PRIMARY INSULATION, FEP #
1	A/R	904-30**-*851	30 AWG, SOLID SILVER PLATED COPPER CLAD STEEL
ITEM	QTY	PART No	DESCRIPTION

BILL OF MATERIALS					
	UNITS	NAME(INTENDED USE)	FOXCONN		
	mm	COAXIAL CABLE	HON HAI PRECISION IND CO.,LTD		
	MATERIAL	PART No (INTENDED USE)	TITLE		
	SEE BOM	703-30NN-290	RF CABLE		
	FINISH	DESIGN .	30 AWG, CONSTRUCTION		
	SEE NOTES	CHECKED	DWG No.		
	QTY	DRAWER	703-3000-290		
THESE DRAWINGS AND SPECS, ARE THE PROPERTY OF HON HAI PRECISION IND CO LTD AND SHALL NOT BE REPRODUCED, COPIED, OR USED IN ANY MANNER WITHOUT THE PRIOR WRITTEN CONSENT OF HON HAI PRECISION IND, CO. LTD			SCALE	SHEET	REV.
			NONE	1/1	C

REV.	ECN. NO	APPD
D	MCO0176B	Lai 5/12/00

NOTES:

- CAPACITANCE: 30.5 pF/FT.
- CONDUCTOR RESISTANCE: 264 OHMS/M' AT 20°C.
- CONDUCTOR: 30 AWG, SOLID SP COPPERWELD 0.010" NOM. OD.
- INSULATION: 30AWG, FEP, 0.031" OD., 0.0107" AVG WALL.
- BRAID SHIELD: 30AWG, 6 ENDS 44 AWG TINNED COPPER, 95% MIN. COVERAGE.
- JACKET: 30AWG, FEP, 0.050" ± 0.002" OD., 0.004" AVG WALL.
- TEMPERATURE RATING: -70°C ~ +200°C.
- NO MARKING.



014-3031-153	HITACHI HCM-40309/1	30AWG	BLACK
FOXCONN P/N	VENDOR & P/N	AWG	JACKET COLOR

X.±	X'.±	UNITS [mm] [INCH]	NAME (INTENDED USE)	FOXCONN HON HAI PRECISION IND. CO., LTD. TAIPEI, TAIWAN, R.O.C.
.X±	.X'±	MAT'L	PART NO. (INTENDED USE)	
.XX± 0.05	.XX'±	FINISH	APPD: Sheng Tai	TITLE COAXIAL CABLE
.XXX±	.XXX'±		Q'TY	CHKD:
THESE DRAWINGS AND SPECIFICATIONS ARE THE PROPERTY OF HON HAI PRECISION IND CO., LTD AND SHALL NOT BE REPRODUCED COPIED OR USED IN ANY MANNER WITHOUT THE PRIOR WRITTEN CONSENT OF HON HAI PRECISION IND CO., LTD			DR: Duke Du 1/17/2001	SCALE SHEET REV. N/A 1/1 D

SCALE 10.000

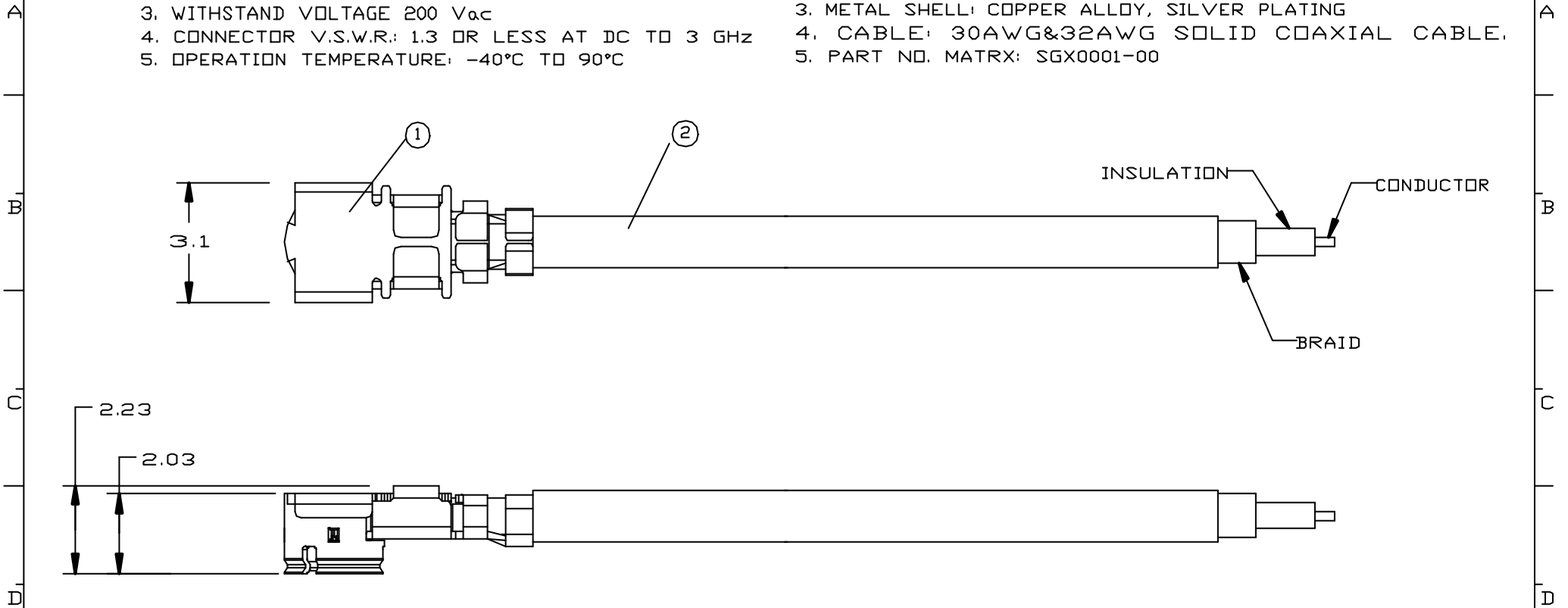
GENERAL SPECIFICATION:

1. CONTACT RESISTANCE: 20 MILIOHMS MAX.
2. INSULATION RESISTANCE: 500 MEGOHMS MIN.
3. WITHSTAND VOLTAGE 200 Vac
4. CONNECTOR V.S.W.R.: 1.3 OR LESS AT DC TO 3 GHz
5. OPERATION TEMPERATURE: -40°C TO 90°C

RF CABLE ASSEMBLY MATERIAL:

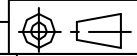
1. CONTACT: COPPER ALLOY, GOLD PLATING
2. HOUSING: THERMOPLASTIC, UL 94V-0 RATED
3. METAL SHELL: COPPER ALLOY, SILVER PLATING
4. CABLE: 30AWG&32AWG SOLID COAXIAL CABLE.
5. PART NO. MATRX: SGX0001-00

REV.	ECN. NO.	APPD.
X2		D, KD



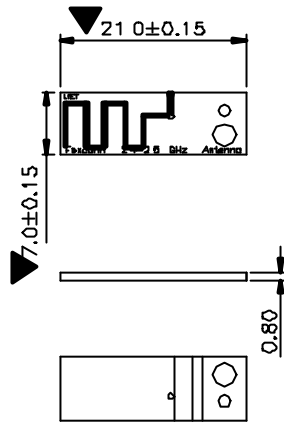
ITEM	PART NAME	FOXCONN PART NO.	EQUIVALENT VENDOR & PART NO.	Q'TY
2	WIRE	703-3000-291	30AWG SOLD COAXIAL CABLE	A/R
1	RF CONN.	SGX0001-00	FOXCONN: EP01-025-001	1 PCS

.X ± 0.1	.X ±	UNITS	mm	NAME (INTENDED USE)	FOXCONN HON HAI PRECISION IND. CO., LTD. TAIPEI, TAIWAN, R.O.C.		
.XX ± 0.1	.XX ±	MAT'L		SGX0001-00			
.XXX ±	.XXX ±	SEE NOTES		PART NO. (INTENDED USE)	TITLE:		
THESE DRAWINGS AND SPECIFICATIONS ARE THE PROPERTY OF HON HAI PRECISION IND. CO., LTD. AND SHALL NOT BE REPRODUCED, COPIED OR USED IN ANY MANNER WITHOUT THE PRIOR WRITTEN CONSENT OF HON HAI PRECISION IND. CO., LTD.				FINISH	SGX0001-00		
				APPD:	D, KD	DWG NO.:	EP01-025-001
				Q'TY	CHKD:		
				DR:	D, KD 12/2/00	SCALE	SHEET
					10:1	1/1	X2

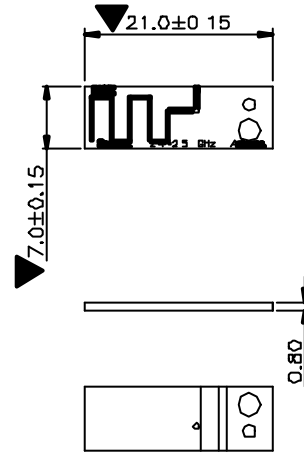


NOTES:

1. ALL DIMENSIONS SHALL BE INTERPRETED PER ANSI Y14.5M-1982.
2. DIMENSIONS MARKED ▼ SHALL BE CHECKED.
3. PCB'S MATERIAL : FR-4. THICKNESS 0.8MM.



I



II

REV.	ECN. NO.	APPD.
X1		

2	040-0002-893	II
1	040-0001-893	I
ITEM	P/N	TYPE

X. ±	X' ±	UNITS	mm	NAME (INTENDED USE)	FOXCONN HON HAI PRECISION IND. CO., LTD TAIPEI, TAIWAN, R.O.C.
x ± ±0.2	x' ±	MAT'L		FOR QUANTA KTS	
.xx ± ±0.1	.xx' ±			PART NO (INTENDED USE)	TITLE:
.xxx ±	.xxx' ±		FINISH		APPD: Sheng Tai 3/5/06
THESE DRAWINGS AND SPECIFICATIONS ARE THE PROPERTY OF HON HAI PRECISION IND. CO., LTD. AND SHALL NOT BE REPRODUCED, COPIED OR USED IN ANY MANNER WITHOUT THE PRIOR WRITTEN CONSENT OF HON HAI PRECISION IND. CO., LTD.				Q'TY	DWG NO.:
				CHKD:	040-0000-893
				DR Paul Zhou 3/5/02	SCALE SHEET REV. N/A 1/1 X1

NOTES:

▲ UL MARKING.

2. RATING : UL 224, 125°C, 600V, VW-1
CSA, 125°C, 600V, OFT

3. DIELECTRIC STRENGTH : 500 V/MIL

4. VOLUME RESISTIVITY : 10^{14} OHM-CM.

5. TENSILE STRENGTH : 10.3 MPa (1500 psi) MIN..

6. PART NO. MATRIX: 080- A B CC - 620

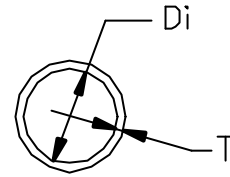
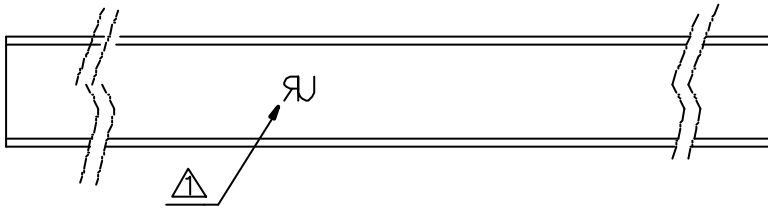
A: EQUIVALENT VENDER & PRODUCT

- A=0: SUMITUBE F2-*
- A=1: FAVORTRON FVC-2-*
- A=2: SUMITUBE F32-*
- A=3: CHANGBAO 102-*
- A=4: SUMITUBE F4-*
- A=5: HB T*ø

CC: INSIDE DIMENSION ID.

- B: COLOR
- B=0: BLACK.
- B=1: WHITE.
- B=2: RED.
- B=3: BLUE.
- B=4: GREEN.
- B=5: YELLOW.
- B=6: ORANGE.
- B=7: PURPLE.
- B=8: GRAY


REV.	ECN. NO.	APPD.
A	HC95121	JEFF C. 1/20/95
B	HC96190	C. CHEN 2/7/96
C	HC96670	C. CHEN 5/7/96
D	HC961695	CHARLES
E	HC971231	C. CHEN 6/18/97
F	MC991918	LAI 5/31/99
G	MC993360	LAI 10/16/99
H	MCD01163	LAI 4/11/2000
K		

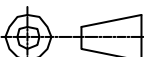


.X±	.X°±	UNITS mm	NAME(INTENDED USE)	FOXCONN HON HAI PRECISION IND. CO.,LTD. TAIPEI, TAIWAN, R.O.C.						
.X± 0.2	.X°±	MAT'L	PART NO.(INTENDED USE)							
.XX± 0.15	.XX°±	FINISH	APPD: H.C.ZHENG 6/15'2001	TITLE: HEAT SHRINKABLE TUBE						
.XXX±	.XXX°±		Q'TY	CHKD:	DWG NO.: 080-0000-620					
THESE DRAWINGS AND SPECIFICATIONS ARE THE PROPERTY OF HON HAI PRECISION IND CO., LTD. AND SHALL NOT BE REPRODUCED COPIED OR USED IN ANY MANNER WITHOUT THE PRIOR WRITTEN CONSENT OF HON HAI PRECISION IND CO., LTD.			DR: H.C.ZHENG 6/15'2001	<table border="1"> <tr> <th>SCALE</th> <th>SHEET</th> <th>REV.</th> </tr> <tr> <td>N/A</td> <td>1/2</td> <td>K</td> </tr> </table>	SCALE	SHEET	REV.	N/A	1/2	K
			SCALE		SHEET	REV.				
N/A	1/2	K								

REV.	ECN.	NO.	APPD

080-**25-620	0.8	0.13	0.4	0.20
080-**24-620	14.0	0.30	7.0	0.64
080-**23-620	1.0	0.20	0.5	0.33
080-**22-620	50.0	0.40	25.0	0.87
080-**21-620	38.0	0.40	19.0	0.87
080-**20-620	30.0	0.40	15.0	0.87
080-**19-620	25.0	0.40	12.5	0.87
080-**18-620	22.0	0.40	11.0	0.77
080-**17-620	20.0	0.35	10.0	0.77
080-**16-620	18.0	0.35	9.0	0.77
080-**15-620	16.0	0.30	8.0	0.69
080-**14-620	12.0	0.25	6.0	0.56
080-**13-620	11.0	0.25	5.5	0.56
080-**12-620	10.0	0.25	5.0	0.56
080-**11-620	9.0	0.25	4.5	0.56
080-**10-620	8.0	0.25	4.0	0.56
080-**09-620	7.0	0.25	3.5	0.56
080-**08-620	6.0	0.25	3.0	0.56
080-**07-620	5.0	0.25	2.5	0.56
080-**06-620	4.0	0.25	2.0	0.44
080-**05-620	3.5	0.25	1.75	0.44
080-**04-620	3.0	0.25	1.50	0.44
080-**03-620	2.5	0.25	1.25	0.44
080-**02-620	2.0	0.25	1.00	0.44
080-**01-620	1.5	0.20	0.75	0.36

Part Number 	Inside Diameter, Di (min.)	Wall Thickness, T (nomi.)	Inside Diameter, Di (max.)	Wall Thickness, T (min.)
	As Supplied		After Shrinkage	

X.±	X°.±	UNITS mm	NAME(INTENDED USE)	FOXCONN			
.X± 0.2	.X°.±	MAT'L	PART NO.(INTENDED USE)	HON HAI PRECISION IND. CO.,LTD. TAIPEI, TAIWAN, R.O.C.			
.XX± 0.15	.XX°.±			TITLE: HEAT SHRINKABLE TUBE			
.XXX±	.XXX°.±	FINISH	APPD: H.C.ZHENG 6/15'2001	DWG NO.: 080-0000-620			
THESE DRAWINGS AND SPECIFICATIONS ARE THE PROPERTY OF HON HAI PRECISION IND. CO., LTD AND SHALL NOT BE REPRDDUCED. COPIED OR USED IN ANY MANNER WITHOUT THE PRIOR WRITTEN CONSENT OF HON HAI PRECISION IND CO., LTD		Q'TY	CHKD:		SCALE	SHEET	REV.
			DR: H.C.ZHENG 6/15'2001		N/A	2/2	K

TO QUANTA COMPUTER CORPORATION
SPECIFICATION FOR APPROVAL

CUSTOMER DWG. NO./PART NO.: TBD REV.: N/A

DESCRIPTION: RF CABLE ASS'Y

FOXCONN PROD. NO: WDAN-Q1KT6002 REV.: AX1

ATTACHMENTS:

- 1. RF CABLE ASSEMBLY DRAWING 315-0900-126
- 2. DESIGN REVIEW FOR MATERIAL LIST... ML-126
- 3. PART DRAWING SGX0001-00
703-3000-290
014-0000-153
040-0000-896
080-0000-620

PLEASE RETURN TO US ONE COPY OF COVER PAGE OF THE
"SPECIFICATION FOR APPROVAL " WITH YOUR APPROVED SIGNATURES

APPROVED SIGNATURES		

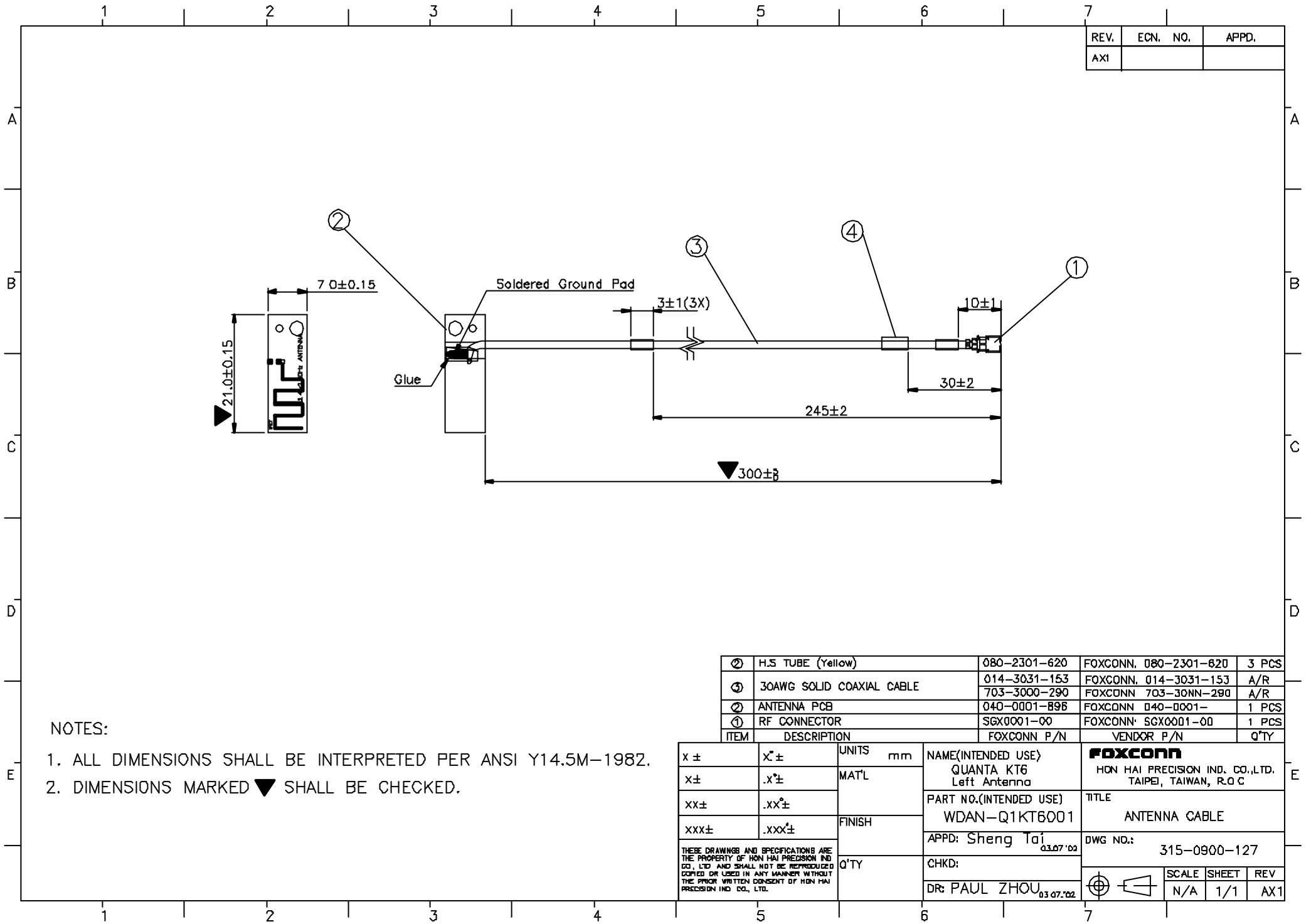


Hon Hai Precision Industry Co., Ltd.

2. TZU YU ST., TU-CHEN, TAIPEI HSIEN, 23606,
TAIWAN, R.O.C
TEL: (02) 2683466 (02) 2681477
TAIWAN, R.O.C
FAX: (02) 2687795 (02) 2683225
TLX. 32349 FOXCONNHH
UNIFORM INVOICE NUMBER: 04541302

Approved by: Sheng Checked by: _____ Prepared by: Paul Zhou

FILE NO.: SFA-126 REVISION NO.: AX1 DATE: 3. 7, 2002



REV.	ECN. NO.	APPD.
AX1		

NOTES:

1. ALL DIMENSIONS SHALL BE INTERPRETED PER ANSI Y14.5M-1982.
2. DIMENSIONS MARKED ▼ SHALL BE CHECKED.

②	H.S TUBE (Yellow)	080-2301-620	FOXCINN. 080-2301-620	3 PCS
③	30AWG SOLID COAXIAL CABLE	014-3031-153 703-3000-290	FOXCINN. 014-3031-153 FOXCINN 703-30NN-290	A/R A/R
②	ANTENNA PCB	040-0001-896	FOXCINN 040-0001-	1 PCS
①	RF CONNECTOR	SGX0001-00	FOXCINN SGX0001-00	1 PCS
ITEM	DESCRIPTION	FOXCINN P/N	VENDOR P/N	Q'TY

x ±	.x ±	UNITS	mm	NAME(INTENDED USE)	FOXCONN HON HAI PRECISION IND. CO.,LTD. TAIPEI, TAIWAN, R.O.C
x ±	.x ±	MAT'L		QUANTA KT6 Left Antenna	
xx ±	.xx ±			PART NO.(INTENDED USE)	TITLE
xxx ±	.xxx ±	FINISH		WDAN-Q1KT6001	ANTENNA CABLE
THESE DRAWINGS AND SPECIFICATIONS ARE THE PROPERTY OF HON HAI PRECISION IND CO., LTD AND SHALL NOT BE REPRODUCED COPIED OR USED IN ANY MANNER WITHOUT THE PRIOR WRITTEN CONSENT OF HON HAI PRECISION IND CO., LTD.				APPD: Sheng Tai	DWG NO.:
				03.07'02	315-0900-127
				CHKD:	
				DR: PAUL ZHOU	03.07.'02
					SCALE SHEET REV
				N/A	1/1 AX1

DESIGN REVIEW FOR MATERIAL LIST

QUANTA P/N : TBD

NO : ML-126

DESCRIPTION : RF CABLE ASS'Y

PAGE : 1/1

ITEM	DESCRIPTION	SUPPLIER/AGENCY						QUANTA PART NUMBER	QUANTITY	REMARK
		SUPPLIER	SUPPLIER PART NO.	FOXCONN PART NO.	AVL	UL SUBMIT	CSA SUBMIT			
1	COAXIAL CABLE	HITACHI OR	HCM-40309/1	014-3031-153		N/A	N/A		A/R	
		ACTUONE	703-3000-290	703-3000-290		N/A	N/A		A/R	
2	RF CONN.	FOXCONN	SGX0001-00	SGX0001-00		N/A	N/A		1 PC	
3	PCB (LEFT)	FOXCONN	040-0002-896	040-0002-896		N/A	N/A		1 PC	
4	HEAT SHRINK TUBE	FOXCONN	080-2501-620	080-2501-620		N/A	N/A		3 PCS	

APPROVED BY: Sheng Tai 3/7/2002

CHECKED BY: _____

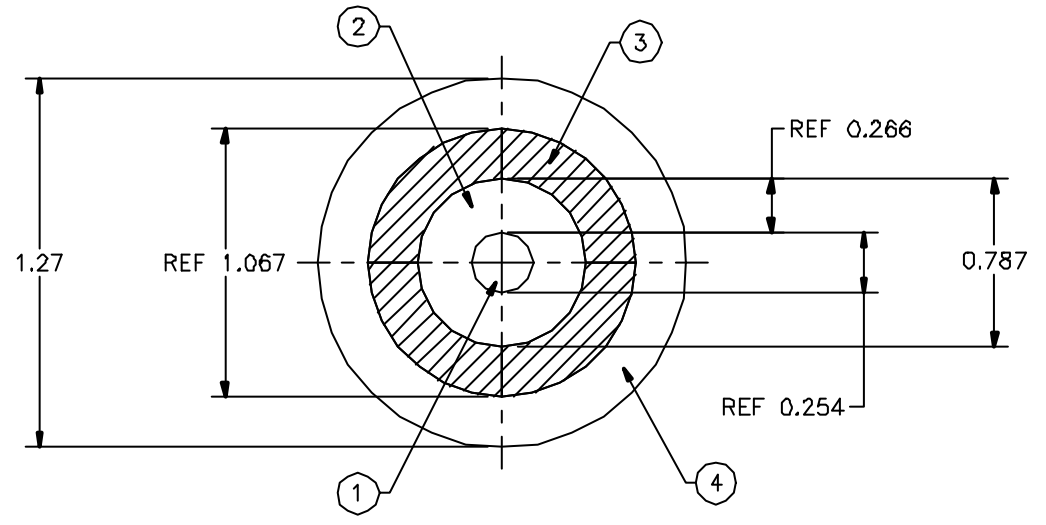
PREPARED BY: Paul Zhou 3/7/2002

ELECTRICAL		
IMPEDANCE	50	ohms
CAPACITANCE	30.5	pF/ft
CONDUCTOR RESISTANCE	860	ohms/KM

REV	ECN No.	APPD.	DATE
A	MC-01-0847	VINCENT	3/28'01
B	MC-01-0847	ALLEN	4/13'01
C	MC-01-1942		

FREQUENCY (MHz)	ATTENUATION (dB/10ft)
500	3
1000	5
2000	8
3000	10

RATINGS	
TEMPERATURE:	200°C/105°C
VOLTAGE:	30V
UL STYLE:	1894/1943



NOTES

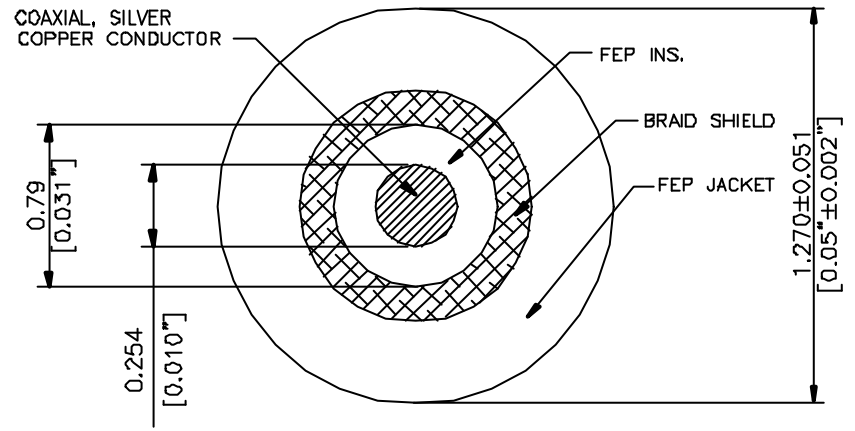
- 1.PRIMARY INSULATION CONCENTRICITY = 85% MIN
2. NN : JACKET COLOR CODE
 00--BLACK 01--BROWN 02--RED 03--ORANGE
 04--YELLOW 05--GREEN 06--BLUE 07--PURPLE
 08--GRAY 09--WHITE 10--CLEAR 99--NATURAL
- 3 BRAIDING COVERAGE TO BE 95 % MIN.
- 4.DIELECTRIC STRENGTH:1.25KVAC/min
- 5 JACKET CONCENTRICITY = 80% MIN

4	A/R	902-***1-*24	JACKET INSULATION, FEP #
3	A/R	904-44**-*616	6ENDS/ 44 AWG TINNED PLATED BRAIDING
2	A/R	902-***1-*24	PRIMARY INSULATION, FEP #
1	A/R	904-30**-*851	30 AWG, SOLID SILVER PLATED COPPER CLAD STEEL
ITEM	QTY	PART No	DESCRIPTION

BILL OF MATERIALS			
UNITS	mm	NAME(INTENDED USE)	COAXIAL CABLE
MATERIAL			FOXCONN HON HAI PRECISION IND CO.,LTD
SEE BOM		PART No (INTENDED USE)	703-30NN-290
FINISH		TITLE	RF CABLE 30 AWG, CONSTRUCTION
SEE NOTES		DESIGN .	DWG No. 703-3000-290
QTY		CHECKED	
		DRAFTER	
THESE DRAWINGS AND SPECS, ARE THE PROPERTY OF HON HAI PRECISION IND CO LTD AND SHALL NOT BE REPRODUCED, COPIED, OR USED IN ANY MANNER WITHOUT THE PRIOR WRITTEN CONSENT OF HON HAI PRECISION IND, CO. LTD			SCALE SHEET REV. NONE 1/1 C

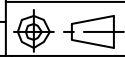
REV.	ECN. NO	APPD
D	MCO0176B	Lai 5/12/00

- NOTES:
- CAPACITANCE: 30.5 pF/FT.
 - CONDUCTOR RESISTANCE: 264 OHMS/M' AT 20°C.
 - CONDUCTOR: 30 AWG, SOLID SP COPPERWELD 0.010" NOM. OD.
 - INSULATION: 30AWG, FEP, 0.031" OD., 0.0107" AVG WALL.
 - BRAID SHIELD: 30AWG, 6 ENDS 44 AWG TINNED COPPER, 95% MIN. COVERAGE.
 - JACKET: 30AWG, FEP, 0.050" ± 0.002" OD., 0.004" AVG WALL.
 - TEMPERATURE RATING: -70°C ~ +20°C.
 - NO MARKING.



014-3031-153	HITACHI HCM-40309/1	30AWG	BLACK
FOXCONN P/N	VENDOR & P/N	AWG	JACKET COLOR

X.±	X.±	UNITS [mm] [INCH]	NAME (INTENDED USE)	FOXCONN HON HAI PRECISION IND. CO., LTD. TAIPEI, TAIWAN, R.O.C.
.X±	.X±	MAT'L	PART NO. (INTENDED USE)	
.XX± 0.05	.XX±	FINISH	APPD: Sheng Tai	TITLE COAXIAL CABLE
.XXX±	.XXX±		Q'TY	CHKD:
THESE DRAWINGS AND SPECIFICATIONS ARE THE PROPERTY OF HON HAI PRECISION IND CO., LTD AND SHALL NOT BE REPRODUCED COPIED OR USED IN ANY MANNER WITHOUT THE PRIOR WRITTEN CONSENT OF HON HAI PRECISION IND CO., LTD			DR: Duke Du 1/17/2001	SCALE SHEET REV. N/A 1/1 D



SCALE 10.000

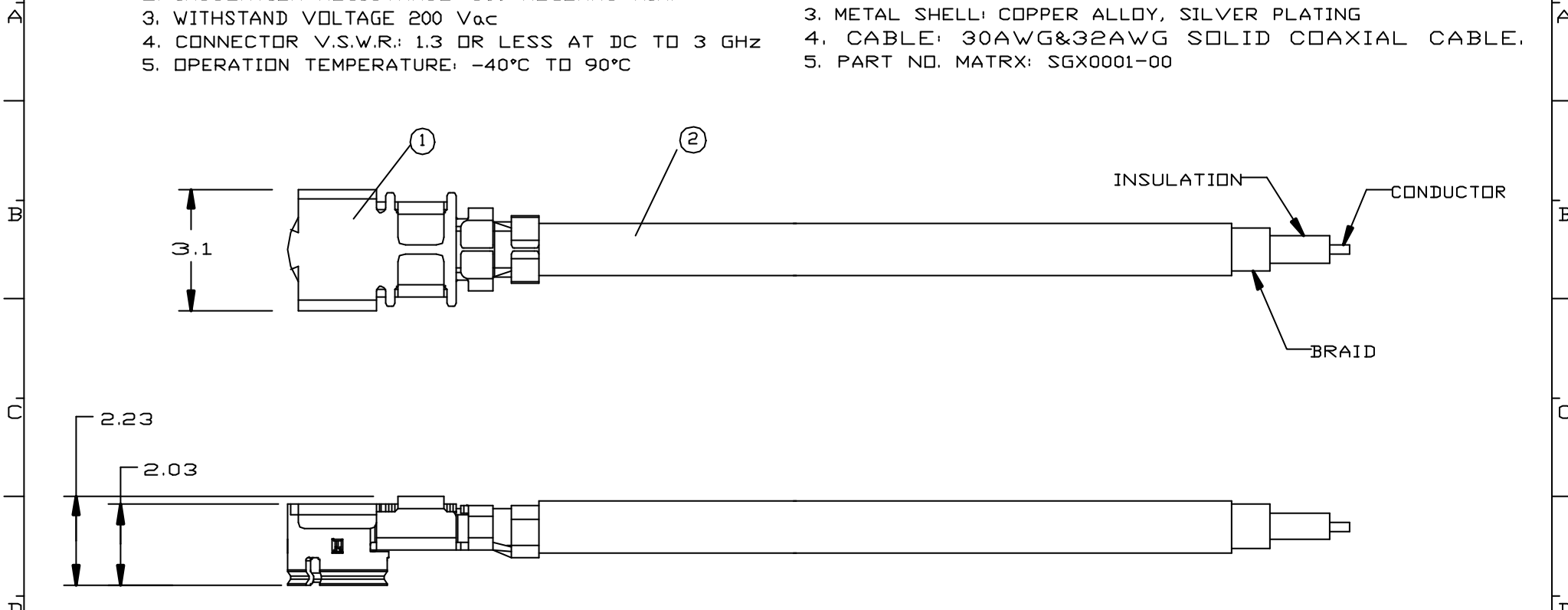
GENERAL SPECIFICATION:

1. CONTACT RESISTANCE: 20 MILIOHMS MAX.
2. INSULATION RESISTANCE: 500 MEGOHMS MIN.
3. WITHSTAND VOLTAGE 200 Vac
4. CONNECTOR V.S.W.R.: 1.3 OR LESS AT DC TO 3 GHz
5. OPERATION TEMPERATURE: -40°C TO 90°C

RF CABLE ASSEMBLY MATERIAL:

1. CONTACT: COPPER ALLOY, GOLD PLATING
2. HOUSING: THERMOPLASTIC, UL 94V-0 RATED
3. METAL SHELL: COPPER ALLOY, SILVER PLATING
4. CABLE: 30AWG&32AWG SOLID COAXIAL CABLE.
5. PART NO. MATRX: SGX0001-00

REV.	ECN. NO.	APPD.
X2		D, KD



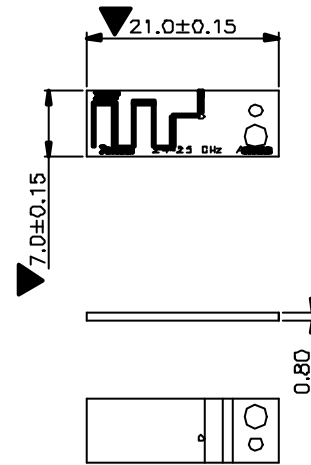
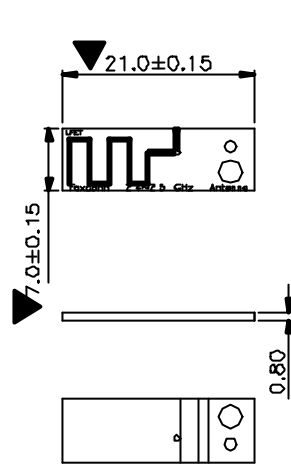
ITEM	PART NAME	FOXCONN PART NO.	EQUIVALENT VENDOR & PART NO.	Q'TY
2	WIRE	703-3000-291	30AWG SOLD COAXIAL CABLE	A/R
1	RF CONN.	SGX0001-00	FOXCONN: EP01-025-001	1 PCS

X.±	ⓧ.±	UNITS	mm	NAME(INTENDED USE)	FOXCONN HON HAI PRECISION IND. CO.,LTD. TAIPEI, TAIWAN, R.O.C.			
.X± 0.1	.ⓧ±	MAT'L		SGX0001-00				
.XX± 0.1	.ⓧⓧ±	SEE NOTES		PART NO.(INTENDED USE)	TITLE:			
.XXX±	.ⓧⓧⓧ±	FINISH		SGX0001-00	RF CABLE ASSEMBLY			
<small>THESE DRAWINGS AND SPECIFICATIONS ARE THE PROPERTY OF HON HAI PRECISION IND. CO., LTD. AND SHALL NOT BE REPRODUCED, COPIED OR USED IN ANY MANNER WITHOUT THE PRIOR WRITTEN CONSENT OF HON HAI PRECISION IND. CO., LTD.</small>				APPD:	D, KD			
				Q'TY	CHKD:		DWG NO.:	EP01-025-001
					DR:	D, KD 12/2/00	SCALE	SHEET
				10:1	1/1	X2		

REV	ECN. NO	APPD.
A		

NOTES:

1. ALL DIMENSIONS SHALL BE INTERPRETED PER ANSI Y14.5M-1982.
2. DIMENSIONS MARKED ▼ SHALL BE CHECKED.
3. PCB'S MATERIAL : FR-4 THICKNESS 0.8MM.



2	040-0002-896	II
1	040-0001-896	I
ITEM	P/N	TYPE

$x \pm$	$x^{\circ} \pm$	UNITS	mm	NAME(INTENDE USE)	FOXCONN HON HAI PRECISION IND. CO.,LTD. TAIPEI, TAIWAN, R.O.C.		
$.x \pm \pm 0.2$	$x^{\circ} \pm$	MAT'L		FOR QUANTA KT6			
$.xx \pm \pm 0.1$	$xx^{\circ} \pm$	FINISH	3	PART NO.(INTENDE USE)	TITLE:		
$.xxx \pm$	$.xxx^{\circ} \pm$			APPD.	Sheng Tai 3/7/02	DWG NO.:	040-0000-896
THESE DRAWINGS AND SPECIFICATIONS ARE THE PROPERTY OF HON HAI PRECISION IND. CO., LTD. AND SHALL NOT BE REPRODUCED COPIED OR USED IN ANY MANNER WITHOUT THE PRIOR WRITTEN CONSENT OF HON HAI PRECISION IND. CO., LTD.				Q'TY	CHKD:		
					DR: Paul Zhou 3/7/02	SCALE	SHEET
					N/A	1/1	A

NOTES:

▲ UL MARKING.

2. RATING : UL 224, 125°C, 600V, VW-1
CSA, 125°C, 600V, OFT

3. DIELECTRIC STRENGTH : 500 V/MIL

4. VOLUME RESISTIVITY : 10^{14} OHM-CM.

5. TENSILE STRENGTH : 10.3 MPa (1500 psi) MIN..

6. PART NO. MATRIX: 080- A B CC - 620

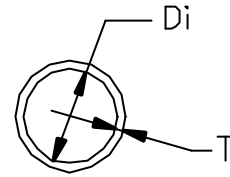
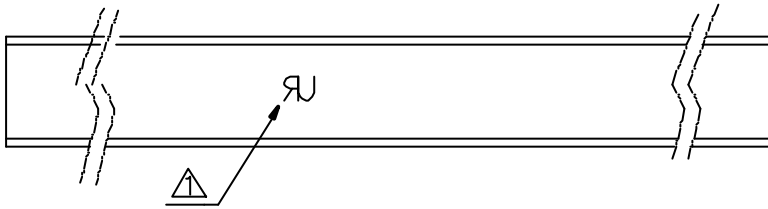
A: EQUIVALENT VENDER & PRODUCT

- A=0: SUMITUBE F2-*
- A=1: FAVORTRON FVC-2-*
- A=2: SUMITUBE F32-*
- A=3: CHANGBAO 102-*
- A=4: SUMITUBE F4-*
- A=5: HB T*ø

CC: INSIDE DIMENSION ID.

- B: COLOR
- B=0: BLACK.
- B=1: WHITE.
- B=2: RED.
- B=3: BLUE.
- B=4: GREEN.
- B=5: YELLOW.
- B=6: ORANGE.
- B=7: PURPLE.
- B=8: GRAY


REV.	ECN. NO.	APPD.
A	HC95121	JEFF C. 1/20/95
B	HC96190	C. CHEN 2/7/96
C	HC96670	C. CHEN 5/7/96
D	HC961695	CHARLES
E	HC971231	C. CHEN 6/18/97
F	MC991918	LAI 5/31/99
G	MC993360	LAI 10/16/99
H	MCD01163	LAI 4/11/2000
K		

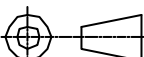


X.±	X°.±	UNITS mm	NAME(INTENDED USE)	FOXCONN HON HAI PRECISION IND. CO.,LTD. TAIPEI, TAIWAN, R.O.C.						
.X± 0.2	.X°.±	MAT'L	PART NO.(INTENDED USE)							
.XX± 0.15	.XX°.±	FINISH	APPD: H.C.ZHENG 6/15'2001	TITLE: HEAT SHRINKABLE TUBE						
.XXX±	.XXX°.±		Q'TY	CHKD:	DWG NO.: 080-0000-620					
THESE DRAWINGS AND SPECIFICATIONS ARE THE PROPERTY OF HON HAI PRECISION IND CO., LTD. AND SHALL NOT BE REPRODUCED COPIED OR USED IN ANY MANNER WITHOUT THE PRIOR WRITTEN CONSENT OF HON HAI PRECISION IND CO., LTD.			DR: H.C.ZHENG 6/15'2001	<table border="1"> <tr> <td>SCALE</td> <td>SHEET</td> <td>REV.</td> </tr> <tr> <td>N/A</td> <td>1/2</td> <td>K</td> </tr> </table>	SCALE	SHEET	REV.	N/A	1/2	K
			SCALE	SHEET	REV.					
N/A	1/2	K								

REV.	ECN.	NO.	APPD

080-**25-620	0.8	0.13	0.4	0.20
080-**24-620	14.0	0.30	7.0	0.64
080-**23-620	1.0	0.20	0.5	0.33
080-**22-620	50.0	0.40	25.0	0.87
080-**21-620	38.0	0.40	19.0	0.87
080-**20-620	30.0	0.40	15.0	0.87
080-**19-620	25.0	0.40	12.5	0.87
080-**18-620	22.0	0.40	11.0	0.77
080-**17-620	20.0	0.35	10.0	0.77
080-**16-620	18.0	0.35	9.0	0.77
080-**15-620	16.0	0.30	8.0	0.69
080-**14-620	12.0	0.25	6.0	0.56
080-**13-620	11.0	0.25	5.5	0.56
080-**12-620	10.0	0.25	5.0	0.56
080-**11-620	9.0	0.25	4.5	0.56
080-**10-620	8.0	0.25	4.0	0.56
080-**09-620	7.0	0.25	3.5	0.56
080-**08-620	6.0	0.25	3.0	0.56
080-**07-620	5.0	0.25	2.5	0.56
080-**06-620	4.0	0.25	2.0	0.44
080-**05-620	3.5	0.25	1.75	0.44
080-**04-620	3.0	0.25	1.50	0.44
080-**03-620	2.5	0.25	1.25	0.44
080-**02-620	2.0	0.25	1.00	0.44
080-**01-620	1.5	0.20	0.75	0.36

Part Number 	Inside Diameter, Di (min.)	Wall Thickness, T (nomi.)	Inside Diameter, Di (max.)	Wall Thickness, T (min.)
	As Supplied		After Shrinkage	

X.±	X°.±	UNITS mm	NAME(INTENDED USE)	FOXCONN			
.X± 0.2	.X°.±	MAT'L	PART NO.(INTENDED USE)	HON HAI PRECISION IND. CO.,LTD. TAIPEI, TAIWAN, R.O.C.			
.XX± 0.15	.XX°.±			TITLE: HEAT SHRINKABLE TUBE			
.XXX±	.XXX°.±	FINISH	APPD: H.C.ZHENG 6/15'2001	DWG NO.: 080-0000-620			
THESE DRAWINGS AND SPECIFICATIONS ARE THE PROPERTY OF HON HAI PRECISION IND. CO., LTD AND SHALL NOT BE REPRDDUCED. COPIED OR USED IN ANY MANNER WITHOUT THE PRIOR WRITTEN CONSENT OF HON HAI PRECISION IND CO, LTD		Q'TY	CHKD:		SCALE	SHEET	REV.
			DR: H.C.ZHENG 6/15'2001		N/A	2/2	K

TO QUANTA COMPUTER CORPORATION
SPECIFICATION FOR APPROVAL

CUSTOMER DWG. NO./PART NO.: TBD REV.: N/A

DESCRIPTION: RF CABLE ASS'Y

FOXCONN PROD. NO.: WDAN-Q1KT6001 REV.: AX1

ATTACHMENTS:

- | | |
|---------------------------------------|---------------------|
| 1. RF CABLE ASSEMBLY DRAWING | <u>315-0900-127</u> |
| 2. DESIGN REVIEW FOR MATERIAL LIST... | <u>ML-127</u> |
| 3. PART DRAWING | <u>SGX0001-00</u> |
| | <u>703-3000-290</u> |
| | <u>014-0000-153</u> |
| | <u>040-0000-896</u> |
| | <u>080-0000-620</u> |

PLEASE RETURN TO US ONE COPY OF COVER PAGE OF THE
"SPECIFICATION FOR APPROVAL " WITH YOUR APPROVED SIGNATURES

APPROVED SIGNATURES		

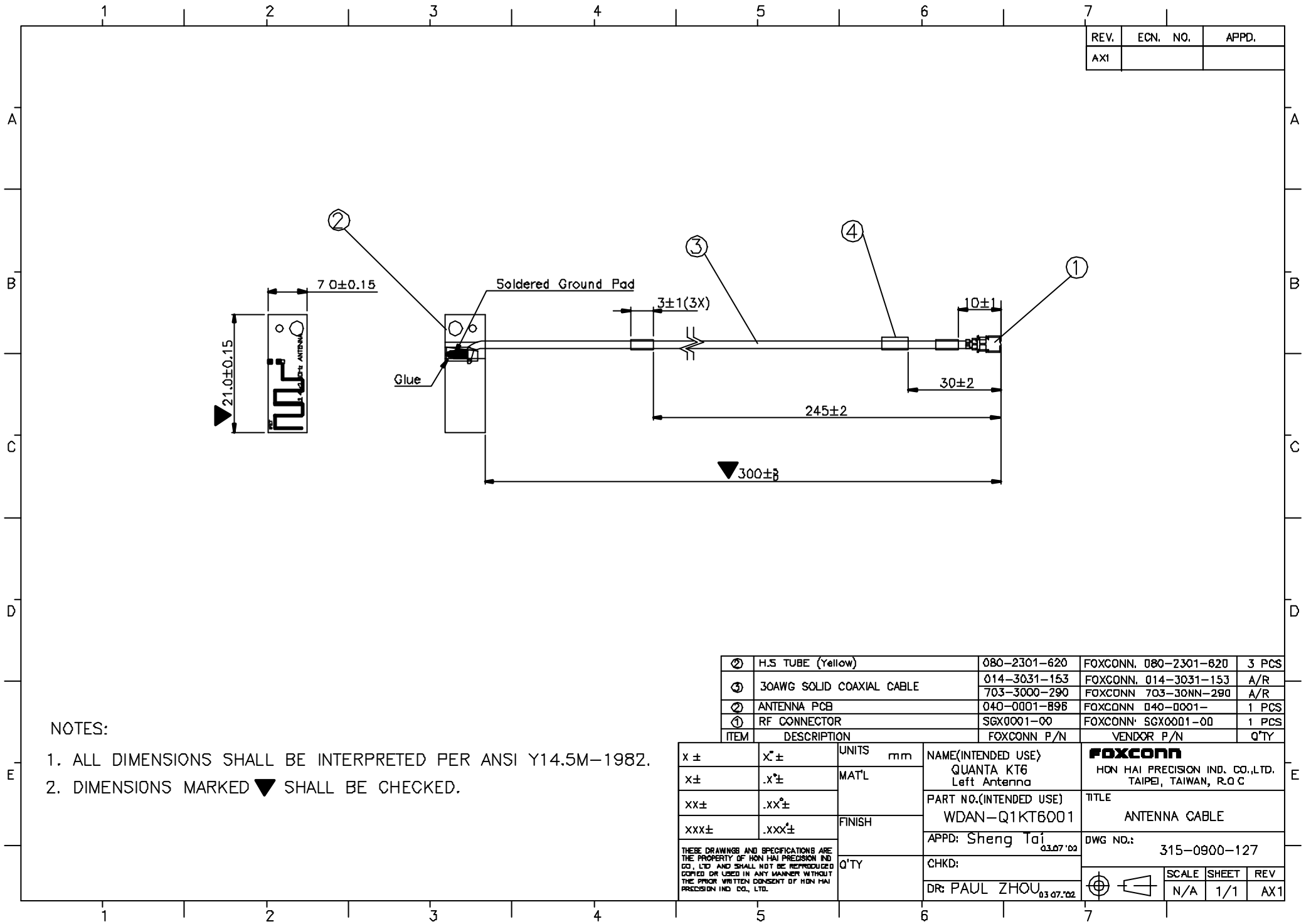


Hon Hai Precision Industry Co., Ltd.

2. TZU YU ST., TU-CHEN, TAIPEI HSIEN, 23606,
TAIWAN, R.O.C
TEL: (02) 2683466 (02) 2681477
TAIWAN, R.O.C
FAX: (02) 2687795 (02) 2683225
TLX. 32349 FOXCONNHH
UNIFORM INVOICE NUMBER: 04541302

Approved by: Sheng Checked by: _____ Prepared by: Paul Zhou

FILE NO.: SFA-127 REVISION NO.: AX1 DATE: 3. 7, 2002



REV.	ECN. NO.	APPD.
AX1		

NOTES:

1. ALL DIMENSIONS SHALL BE INTERPRETED PER ANSI Y14.5M-1982.
2. DIMENSIONS MARKED ▼ SHALL BE CHECKED.

②	H.S TUBE (Yellow)	080-2301-620	FOXCONN. 080-2301-620	3 PCS
③	30AWG SOLID COAXIAL CABLE	014-3031-153	FOXCONN. 014-3031-153	A/R
		703-3000-290	FOXCONN 703-3000-290	A/R
②	ANTENNA PCB	040-0001-896	FOXCONN 040-0001-	1 PCS
①	RF CONNECTOR	SGX0001-00	FOXCONN SGX0001-00	1 PCS
ITEM	DESCRIPTION	FOXCONN P/N	VENDOR P/N	Q'TY

x ±	.x ±	UNITS	mm	NAME(INTENDED USE)	FOXCONN HON HAI PRECISION IND. CO.,LTD. TAIPEI, TAIWAN, R.O.C
x ±	.x ±	MAT'L		QUANTA KT6 Left Antenna	
xx ±	.xx ±			PART NO.(INTENDED USE)	TITLE
xxx ±	.xxx ±	FINISH		WDAN-Q1KT6001	ANTENNA CABLE
THESE DRAWINGS AND SPECIFICATIONS ARE THE PROPERTY OF HON HAI PRECISION IND CO., LTD AND SHALL NOT BE REPRODUCED COPIED OR USED IN ANY MANNER WITHOUT THE PRIOR WRITTEN CONSENT OF HON HAI PRECISION IND CO., LTD.				APPD: Sheng Tai	DWG NO.:
				03.07'02	315-0900-127
				CHKD:	
				DR: PAUL ZHOU	03.07.'02
					SCALE SHEET REV
				N/A	1/1 AX1

DESIGN REVIEW FOR MATERIAL LIST

QUANTA P/N : TBD

NO : ML-127

DESCRIPTION : RF CABLE ASS'Y

PAGE : 1/1

ITEM	DESCRIPTION	SUPPLIER/AGENCY						QUANTA PART NUMBER	QUANTITY	REMARK
		SUPPLIER	SUPPLIER PART NO.	FOXCONN PART NO.	AVL	UL SUBMIT	CSA SUBMIT			
1	COAXIAL CABLE	HITACHI OR	HCM-40309/1	014-3031-153		N/A	N/A		A/R	
		ACTUONE	703-3000-290	703-3000-290		N/A	N/A		A/R	
2	RF CONN.	FOXCONN	SGX0001-00	SGX0001-00		N/A	N/A		1 PC	
3	PCB (LEFT)	FOXCONN	040-0001-896	040-0001-896		N/A	N/A		1 PC	
4	HEAT SHRINK TUBE	FOXCONN	080-2101-620	080-2101-620		N/A	N/A		3 PCS	

APPROVED BY: Sheng Tai 3/7/2002

CHECKED BY: _____

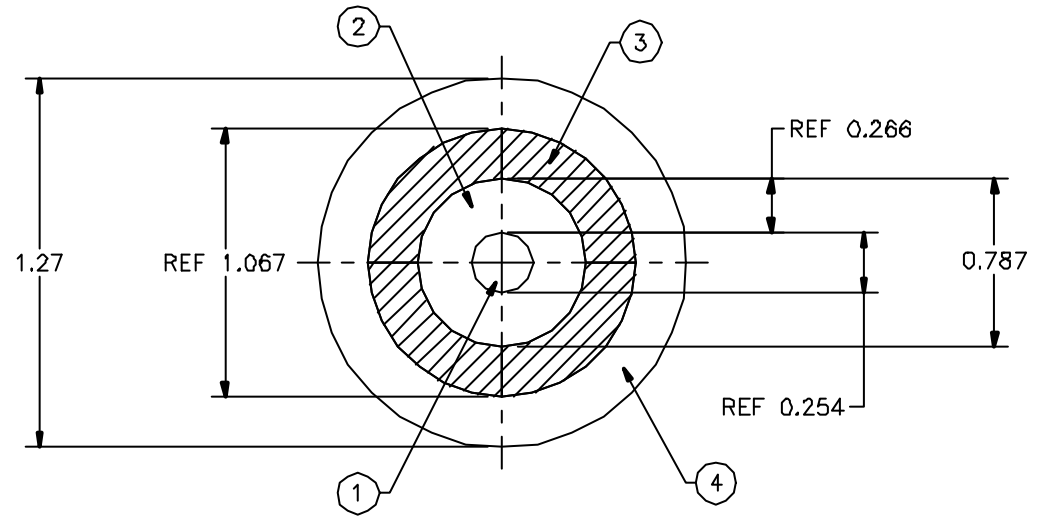
PREPARED BY: Paul Zhou 3/7/2002

ELECTRICAL		
IMPEDANCE	50	ohms
CAPACITANCE	30.5	pF/ft
CONDUCTOR RESISTANCE	860	ohms/KM

FREQUENCY (MHz)	ATTENUATION (dB/10ft)
500	3
1000	5
2000	8
3000	10

RATINGS	
TEMPERATURE:	200°C/105°C
VOLTAGE:	30V
UL STYLE:	1894/1943

REV	ECN No.	APPD.	DATE
A	MC-01-0847	VINCENT	3/28'01
B	MC-01-0847	ALLEN	4/13'01
C	MC-01-1942		



NOTES

- 1.PRIMARY INSULATION CONCENTRICITY = 85% MIN
2. NN : JACKET COLOR CODE
 00--BLACK 01--BROWN 02--RED 03--ORANGE
 04--YELLOW 05--GREEN 06--BLUE 07--PURPLE
 08--GRAY 09--WHITE 10--CLEAR 99--NATURAL
- 3 BRAIDING COVERAGE TO BE 95 % MIN.
- 4.DIELECTRIC STRENGTH:1.25KVAC/min
- 5 JACKET CONCENTRICITY = 80% MIN

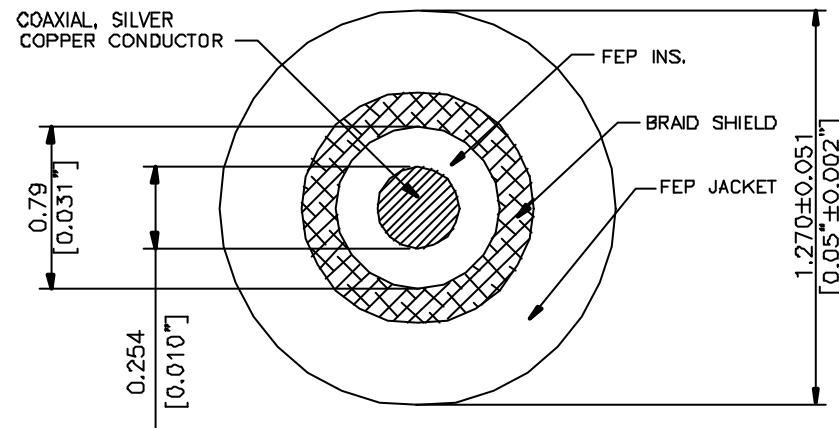
4	A/R	902-***1-*24	JACKET INSULATION, FEP #
3	A/R	904-44**-*616	6ENDS/ 44 AWG TINNED PLATED BRAIDING
2	A/R	902-***1-*24	PRIMARY INSULATION, FEP #
1	A/R	904-30**-*851	30 AWG, SOLID SILVER PLATED COPPER CLAD STEEL
ITEM	QTY	PART No	DESCRIPTION

BILL OF MATERIALS					
	UNITS	NAME(INTENDED USE)	FOXCONN		
	mm	COAXIAL CABLE	HON HAI PRECISION IND CO.,LTD		
	MATERIAL	PART No (INTENDED USE)	TITLE:		
	SEE BOM	703-30NN-290	RF CABLE		
	FINISH	DESIGN :	30 AWG, CONSTRUCTION		
	SEE NOTES	CHECKED	DWG No.		
	QTY	DRAWER	703-3000-290		
THESE DRAWINGS AND SPECS, ARE THE PROPERTY OF HON HAI PRECISION IND CO LTD AND SHALL NOT BE REPRODUCED, COPIED, OR USED IN ANY MANNER WITHOUT THE PRIOR WRITTEN CONSENT OF HON HAI PRECISION IND, CO. LTD			SCALE	SHEET	REV.
			NONE	1/1	C

REV.	ECN.	ND	APPD
D	MCO0176B	Lai	5/12/00

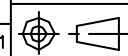
NOTES:

1. CAPACITANCE: 30.5 pF/FT.
2. CONDUCTOR RESISTANCE: 264 OHMS/M' AT 20°C.
3. CONDUCTOR: 30 AWG, SOLID SP COPPERWELD 0.010" NOM. OD.
4. INSULATION: 30AWG, FEP, 0.031" OD., 0.0107" AVG WALL.
5. BRAID SHIELD: 30AWG, 6 ENDS 44 AWG TINNED COPPER, 95% MIN. COVERAGE.
6. JACKET: 30AWG, FEP, 0.050" ± 0.002" OD., 0.004" AVG WALL.
7. TEMPERATURE RATING: -70°C ~ +200°C.
8. NO MARKING.



014-3031-153	HITACHI HCM-40309/1	30AWG	BLACK
FOXCONN P/N	VENDOR & P/N	AWG	JACKET COLOR

X.±	X.±	UNITS [mm] [INCH]	NAME (INTENDED USE)	FOXCONN HON HAI PRECISION IND. CO., LTD. TAIPEI, TAIWAN, R.O.C.
.X±	.X±	MAT'L	PART NO. (INTENDED USE)	
.XX±	.XX±	FINISH	APPD: Sheng Tai	TITLE COAXIAL CABLE
.XXX±	.XXX±		Q'TY	CHKD:
THESE DRAWINGS AND SPECIFICATIONS ARE THE PROPERTY OF HON HAI PRECISION IND CO., LTD AND SHALL NOT BE REPRODUCED COPIED OR USED IN ANY MANNER WITHOUT THE PRIOR WRITTEN CONSENT OF HON HAI PRECISION IND CO., LTD			DR: Duke Du 1/17/2001	SCALE SHEET REV. N/A 1/1 D



SCALE 10.000

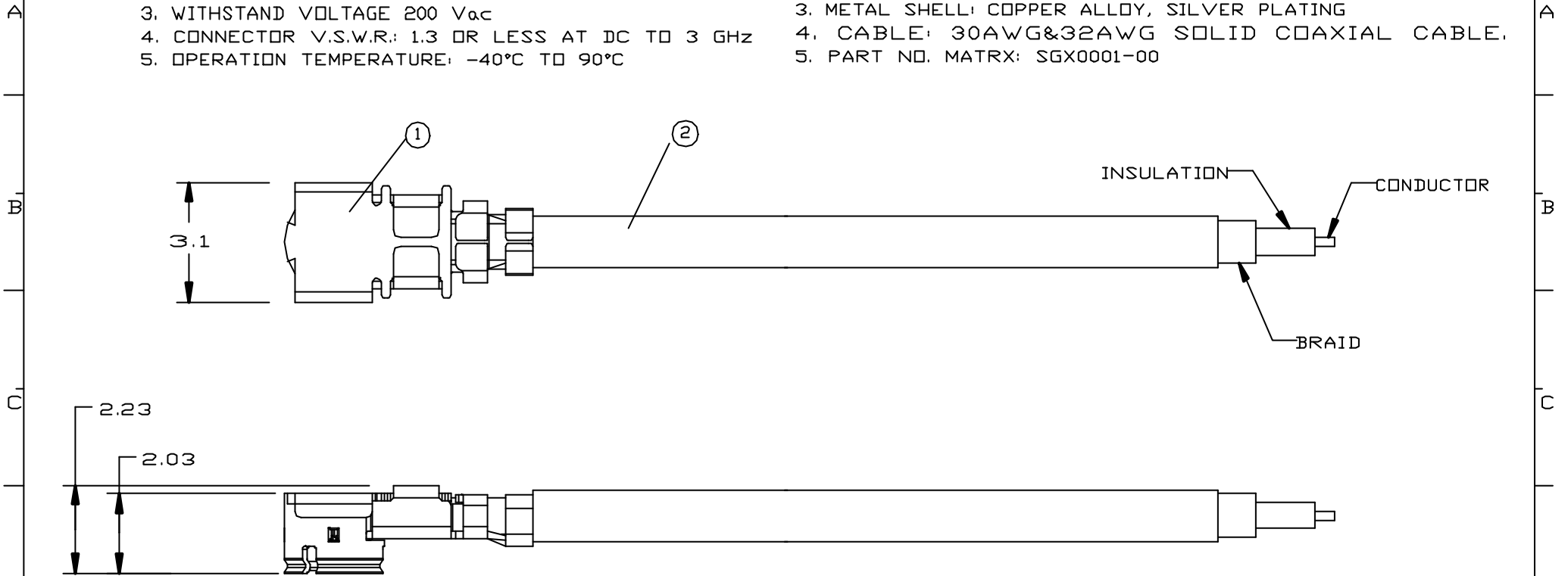
GENERAL SPECIFICATION:

1. CONTACT RESISTANCE: 20 MILIOHMS MAX.
2. INSULATION RESISTANCE: 500 MEGOHMS MIN.
3. WITHSTAND VOLTAGE 200 Vac
4. CONNECTOR V.S.W.R.: 1.3 OR LESS AT DC TO 3 GHz
5. OPERATION TEMPERATURE: -40°C TO 90°C

RF CABLE ASSEMBLY MATERIAL:

1. CONTACT: COPPER ALLOY, GOLD PLATING
2. HOUSING: THERMOPLASTIC, UL 94V-0 RATED
3. METAL SHELL: COPPER ALLOY, SILVER PLATING
4. CABLE: 30AWG&32AWG SOLID COAXIAL CABLE.
5. PART NO. MATRX: SGX0001-00

REV.	ECN. NO.	APPD.
X2		D, KD



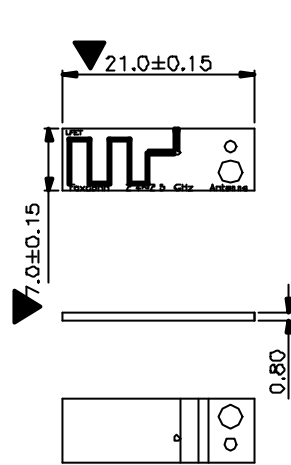
ITEM	PART NAME	FOXCONN PART NO.	EQUIVALENT VENDOR & PART NO.	Q'TY
2	WIRE	703-3000-291	30AWG SOLD COAXIAL CABLE	A/R
1	RF CONN.	SGX0001-00	FOXCONN: EP01-025-001	1 PCS

.X ± 0.1	.X ±	UNITS	mm	NAME (INTENDED USE)	FOXCONN HON HAI PRECISION IND. CO., LTD. TAIPEI, TAIWAN, R.O.C.						
.XX ± 0.1	.XX ±	MAT'L		SGX0001-00							
.XXX ±	.XXX ±	SEE NOTES		FINISH	TITLE:						
<small>THESE DRAWINGS AND SPECIFICATIONS ARE THE PROPERTY OF HON HAI PRECISION IND. CO., LTD. AND SHALL NOT BE REPRODUCED, COPIED OR USED IN ANY MANNER WITHOUT THE PRIOR WRITTEN CONSENT OF HON HAI PRECISION IND. CO., LTD.</small>				APPD:	D, KD						
				Q'TY	CHKD:		DWG NO.:	EP01-025-001			
				DR:	D, KD 12/2/00						
				<table border="1"> <tr> <td>SCALE</td> <td>SHEET</td> <td>REV.</td> </tr> <tr> <td>10:1</td> <td>1/1</td> <td>X2</td> </tr> </table>		SCALE	SHEET	REV.	10:1	1/1	X2
SCALE	SHEET	REV.									
10:1	1/1	X2									

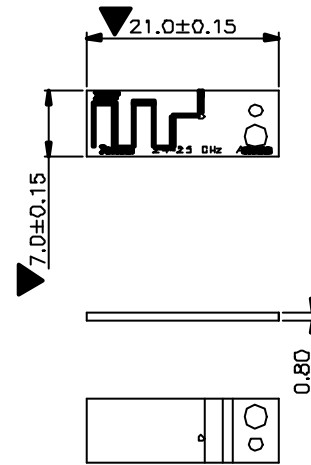
REV	ECN. NO	APPD.
A		

NOTES:

1. ALL DIMENSIONS SHALL BE INTERPRETED PER ANSI Y14.5M-1982.
2. DIMENSIONS MARKED ▼ SHALL BE CHECKED.
3. PCB'S MATERIAL : FR-4 THICKNESS 0.8MM.



I



II

2	040-0002-896	II
1	040-0001-896	I
ITEM	P/N	TYPE

X ±	X ^o ±	UNITS	mm	NAME(INTENDE USE)	FOXCONN HON HAI PRECISION IND. CO.,LTD. TAIPEI, TAIWAN, R.O.C.			
.x ± ±0.2	x ^o ±	MAT'L		FOR QUANTA KT6				
.xx ± ±0.1	xx ^o ±	FINISH	3	PART NO.(INTENDE USE)	TITLE:			
.xxx ±	.xxx ^o ±			APPD.	Sheng Tai 3/7/02	DWG NO.:	040-0000-896	
THESE DRAWINGS AND SPECIFICATIONS ARE THE PROPERTY OF HON HAI PRECISION IND. CO., LTD. AND SHALL NOT BE REPRODUCED COPIED OR USED IN ANY MANNER WITHOUT THE PRIOR WRITTEN CONSENT OF HON HAI PRECISION IND. CO., LTD.				CHKD:		SCALE	SHEET	REV
				Q'TY		DR: Paul Zhou 3/7/02	N/A	1/1

NOTES:

▲ UL MARKING.

2. RATING : UL 224, 125°C, 600V, VW-1
CSA, 125°C, 600V, OFT

3. DIELECTRIC STRENGTH : 500 V/MIL

4. VOLUME RESISTIVITY : 10^{14} OHM-CM.

5. TENSILE STRENGTH : 10.3 MPa (1500 psi) MIN..

6. PART NO. MATRIX: 080- A B CC - 620

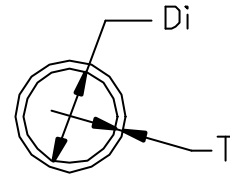
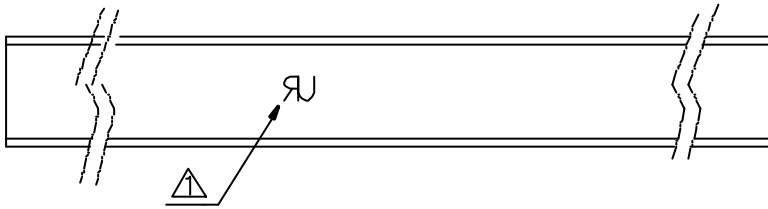
A: EQUIVALENT VENDER & PRODUCT

- A=0: SUMITUBE F2-*
- A=1: FAVORTRON FVC-2-*
- A=2: SUMITUBE F32-*
- A=3: CHANGBAO 102-*
- A=4: SUMITUBE F4-*
- A=5: HB T*φ

CC: INSIDE DIMENSION ID.

- B: COLOR
- B=0: BLACK.
- B=1: WHITE.
- B=2: RED.
- B=3: BLUE.
- B=4: GREEN.
- B=5: YELLOW.
- B=6: ORANGE.
- B=7: PURPLE.
- B=8: GRAY


REV.	ECN. NO.	APPD.
A	HC95121	JEFF C. 1/20/95
B	HC96190	C. CHEN 2/7/96
C	HC96670	C. CHEN 5/7/96
D	HC961695	CHARLES
E	HC971231	C. CHEN 6/18/97
F	MC991918	LAI 5/31/99
G	MC993360	LAI 10/16/99
H	MCD01163	LAI 4/11/2000
K		

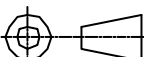


X.±	X°.±	UNITS mm	NAME(INTENDED USE)	FOXCONN HON HAI PRECISION IND. CO.,LTD. TAIPEI, TAIWAN, R.O.C.						
.X± 0.2	.X°.±	MAT'L	PART NO.(INTENDED USE)							
.XX± 0.15	.XX°.±	FINISH	APPD: H.C.ZHENG 6/15'2001	TITLE: HEAT SHRINKABLE TUBE						
.XXX±	.XXX°.±		Q'TY	CHKD:	DWG NO.: 080-0000-620					
THESE DRAWINGS AND SPECIFICATIONS ARE THE PROPERTY OF HON HAI PRECISION IND CO., LTD. AND SHALL NOT BE REPRODUCED COPIED OR USED IN ANY MANNER WITHOUT THE PRIOR WRITTEN CONSENT OF HON HAI PRECISION IND CO., LTD.			DR: H.C.ZHENG 6/15'2001	<table border="1"> <tr> <th>SCALE</th> <th>SHEET</th> <th>REV.</th> </tr> <tr> <td>N/A</td> <td>1/2</td> <td>K</td> </tr> </table>	SCALE	SHEET	REV.	N/A	1/2	K
			SCALE	SHEET	REV.					
N/A	1/2	K								

REV.	ECN.	NO.	APPD

080-**25-620	0.8	0.13	0.4	0.20
080-**24-620	14.0	0.30	7.0	0.64
080-**23-620	1.0	0.20	0.5	0.33
080-**22-620	50.0	0.40	25.0	0.87
080-**21-620	38.0	0.40	19.0	0.87
080-**20-620	30.0	0.40	15.0	0.87
080-**19-620	25.0	0.40	12.5	0.87
080-**18-620	22.0	0.40	11.0	0.77
080-**17-620	20.0	0.35	10.0	0.77
080-**16-620	18.0	0.35	9.0	0.77
080-**15-620	16.0	0.30	8.0	0.69
080-**14-620	12.0	0.25	6.0	0.56
080-**13-620	11.0	0.25	5.5	0.56
080-**12-620	10.0	0.25	5.0	0.56
080-**11-620	9.0	0.25	4.5	0.56
080-**10-620	8.0	0.25	4.0	0.56
080-**09-620	7.0	0.25	3.5	0.56
080-**08-620	6.0	0.25	3.0	0.56
080-**07-620	5.0	0.25	2.5	0.56
080-**06-620	4.0	0.25	2.0	0.44
080-**05-620	3.5	0.25	1.75	0.44
080-**04-620	3.0	0.25	1.50	0.44
080-**03-620	2.5	0.25	1.25	0.44
080-**02-620	2.0	0.25	1.00	0.44
080-**01-620	1.5	0.20	0.75	0.36

Part Number 	Inside Diameter, Di (min.)	Wall Thickness, T (nomi.)	Inside Diameter, Di (max.)	Wall Thickness, T (min.)
	As Supplied		After Shrinkage	

X.±	X°.±	UNITS mm	NAME(INTENDED USE)	FOXCONN		
.X± 0.2	.X°.±	MAT'L	PART NO.(INTENDED USE)	HON HAI PRECISION IND. CO.,LTD. TAIPEI, TAIWAN, R.O.C.		
.XX± 0.15	.XX°.±	FINISH		TITLE:	HEAT SHRINKABLE TUBE	
.XXX±	.XXX°.±		Q'TY	APPD:	DWG NO.:	
THESE DRAWINGS AND SPECIFICATIONS ARE THE PROPERTY OF HON HAI PRECISION IND. CO., LTD AND SHALL NOT BE REPRDDUCED, COPIED OR USED IN ANY MANNER WITHOUT THE PRIOR WRITTEN CONSENT OF HON HAI PRECISION IND CO, LTD			H.C.ZHENG 6/15'2001	080-0000-620		
			CHKD:			
			DR: H.C.ZHENG 6/15'2001			SCALE
				N/A	2/2	K