

TO QUANTA COMPUTER CORPORATION
SPECIFICATION FOR APPROVAL

CUSTOMER DWG. NO./PART NO.: TBD REV.: N/A

DESCRIPTION: RF CABLE ASS'Y

FOXCONN PROD. NO.: WDAN-Q1KT5001 REV.: AX1

ATTACHMENTS:

- | | |
|---------------------------------------|---------------------|
| 1. RF CABLE ASSEMBLY DRAWING | <u>315-0900-097</u> |
| 2. DESIGN REVIEW FOR MATERIAL LIST... | <u>ML-097</u> |
| 3. PART DRAWING | <u>SGX0001-00</u> |
| | <u>703-3000-290</u> |
| | <u>014-0000-153</u> |
| | <u>040-0000-389</u> |

PLEASE RETURN TO US ONE COPY OF COVER PAGE OF THE
"SPECIFICATION FOR APPROVAL " WITH YOUR APPROVED SIGNATURES

APPROVED SIGNATURES		



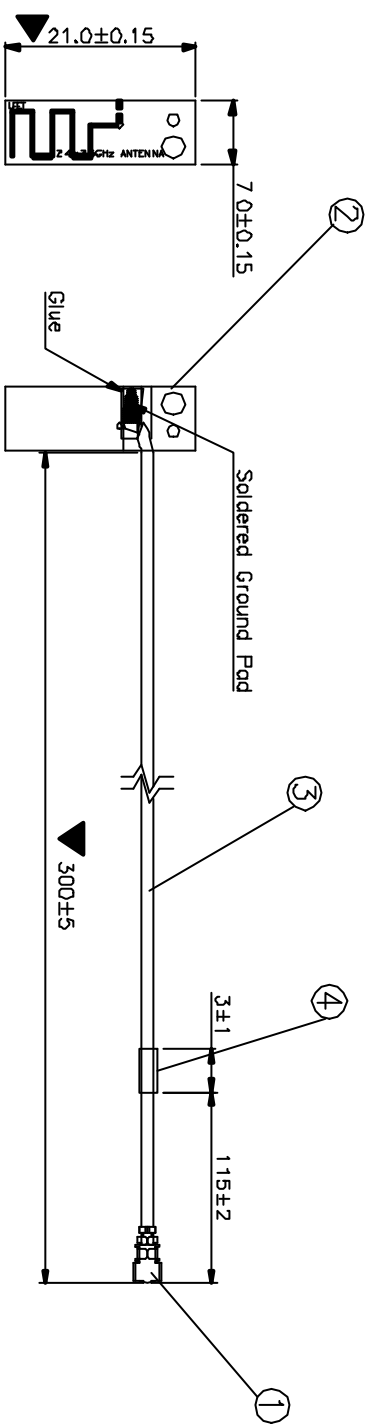
Hon Hai Precision Industry Co., Ltd.

2. TZU YU ST., TU-CHEN, TAIPEI HSIEN, 23606,
TAIWAN, R.O.C
TEL: (02) 2683466 (02) 2681477
TAIWAN, R.O.C
FAX: (02) 2687795 (02) 2683225
TLX. 32349 FOXCONNHH
UNIFORM INVOICE NUMBER: 04541302

Approved by: Sheng Checked by: _____ Prepared by: Paul Zhou

FILE NO.: SFA-097 REVISION NO.: AX1 DATE: Mac 5, 2002

REV.	ECN NO	APPD.
AX1		



- NOTES:
1. ALL DIMENSIONS SHALL BE INTERPRETED PER ANSI Y14.5M-1982.
 2. DIMENSIONS MARKED ▼ SHALL BE CHECKED.

ITEM	DESCRIPTION	UNITS	mm	NAME(INTENDED USE)	QUANTA KT1 Left Antenna	FOXCONN P/N	FOXCONN	1 PCS
④	H/S TUBE (WHITE)					080-2101-620	FOXCONN: 080-2101-620	1 PCS
③	30AWG SOLID COAXIAL CABLE					D14-3031-153 703-3000-290	FOXCONN: 014-3031-153 FOXCONN: 703-3000-290	A/R A/R
②	ANTENNA PCB					040-0001-893	FOXCONN: 040-0001-893	1 PCS
①	RF CONNECTOR					SGX0001-00	FOXCONN: SGX0001-00	1 PCS
							VENDOR P/N	QTY
X±	X±							
X±	X±							
XXXX	XXXX							
THESE DRAWINGS AND SPECIFICATIONS ARE THE PROPERTY OF HON HAI PRECISION IND. CO., LTD. AND SHALL BE KEPT IN CONFIDENCE. NO COPIES OF THESE DRAWINGS SHALL BE MADE OR REPRODUCED IN ANY MANNER WITHOUT THE EXPRESS WRITTEN CONSENT OF HON HAI PRECISION IND. CO., LTD.				CHKD: DR: Paul Zhou 03.05.192		DWG NO.: 315-0900-097		SCALE SHEET REV. N/A 1/1 AX1

TITLE:
ANTENNA CABLE

FOXCONN
HON HAI PRECISION IND. CO.,LTD.
TAPPEI, TAIWAN, R.O.C.

DESIGN REVIEW FOR MATERIAL LIST

QUANTA P/N . TBD

NO : ML-097

DESCRIPTION . RF CABLE ASS'Y

PAGE . 1/1

ITEM	DESCRIPTION	SUPPLIER/AGENCY						QUANTA PART NUMBER	QUANTITY	REMARK
		SUPPLIER	SUPPLIER PART NO.	FOXCONN PART NO.	AVL	UL SUBMIT	CSA SUBMIT			
1	COAXIAL CABLE	HITACHI OR	HCM-40309/1	014-3031-153		N/A	N/A		A/R	
		ACTUONE	703-3000-290	703-3000-290		N/A	N/A		A/R	
2	RF CONN.	FOXCONN	SGX0001-00	SGX0001-00		N/A	N/A		1 PC	
3	PCB (LEFT)	FOXCONN	040-0001-893	040-0001-893		N/A	N/A		1 PC	

APPROVED BY: Sheng Tai 3/6/2002

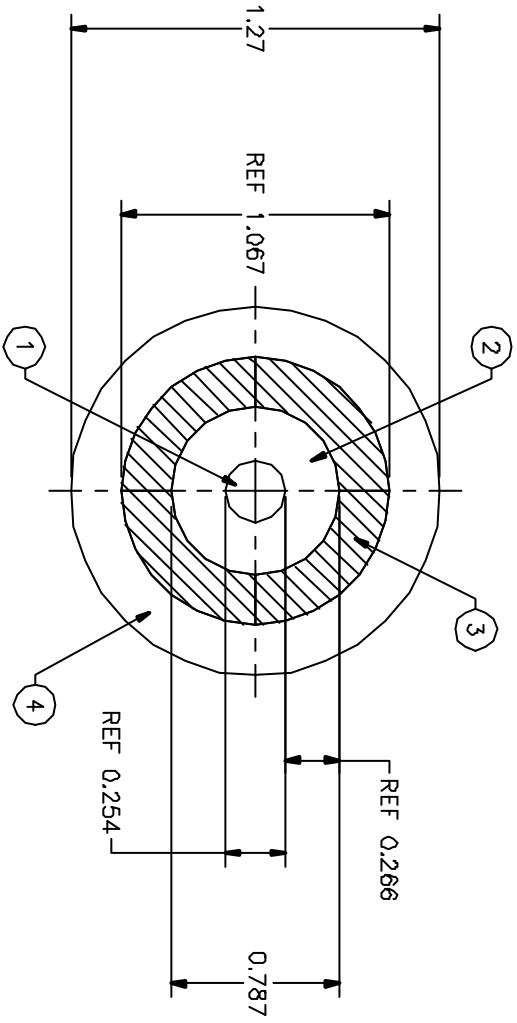
CHECKED BY: _____

PREPARED BY: Paul Zhou 3/5/2002

REV	ECN No.	APPL.	DATE
A	MC-01-0847	VINCENT	3/28/07
B	MC-01-0847	ALLEN	4/13/07
C	MC-01-1942		

ELECTRICAL	
IMPEDANCE	50 ohms
CAPACITANCE	30.5 pF/ft
CONDUCTOR RESISTANCE	860 ohms/KM
FREQUENCY (MHz)	ATTENUATION (dB/10ft)
500	3
1000	5
2000	8
3000	10

RATINGS	
TEMPERATURE:	200°C/105°C
VOLTAGE:	30V
UL STYLE:	1894/1943



NOTES

1. PRIMARY INSULATION CONCENTRICITY = 85% MIN
2. NN : JACKET COLOR CODE
 00--BLACK 01-BROWN 02-RED 03-ORANGE
 04-YELLOW 05-GREEN 06-BLUE 07-PURPLE
 08-GRAY 09-WHITE 10-CLEAR 99-NATURAL
3. BRAIDING COVERAGE TO BE 95 % MIN.
4. DIELECTRIC STRENGTH: 1.25KVAC/min
5. JACKET CONCENTRICITY = 80% MIN

ITEM	QTY	PART No	DESCRIPTION
4	A/R	902-***1-*24	JACKET INSULATION, FEP #
3	A/R	904-44**-616	BENDS/ 44 AWG TINNED PLATED BRANDING
2	A/R	902-***1-*24	PRIMARY INSULATION, FEP #
1	A/R	904-30**-851	30 AWG, SOLID SILVER PLATED COPPER CLAD STEEL

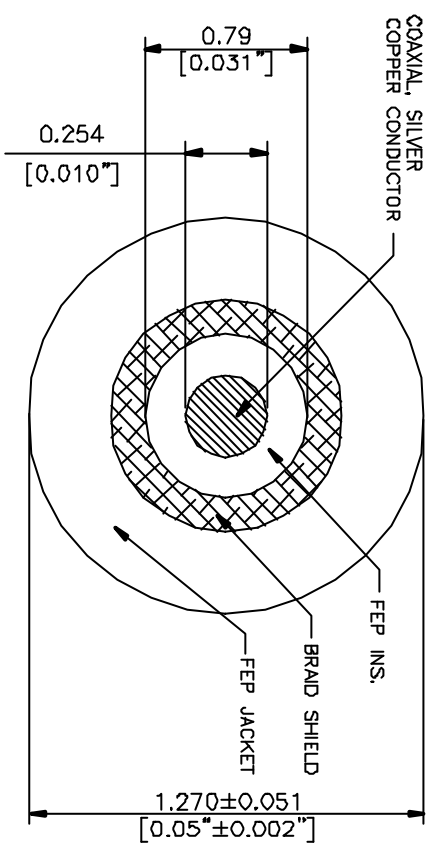
BILL OF MATERIALS		UNITS		MATERIALS	
		mm		COAXIAL CABLE	FOXCONN
				SEE BOM	HON HAI PRESSION IND CO.,LTD
				SEE NOTES	
				703-30NN-290	

THESE DRAWINGS AND SPECS, ARE THE PROPERTY OF HON HAI PRESSION IND CO.,LTD. IF YOU ARE NOT THE ORIGINAL PURCHASER, YOU SHALL NOT BE REPRODUCED, COPIED, OR USED IN ANY MANNER WITHOUT THE WRITTEN CONSENT OF HON HAI PRESSION IND. CO., LTD.	
CHECKED	DRAWN
SCALE	SHEET REV.
NONE	1/1 C

1 2 3 4 5 6 7 8

REV.	EGN. NO	APPD
D	MC00176B	Lot 5/12/06

- NOTES:
1. CAPACTANCE: 30.5 pF/FT.
 2. CONDUCTOR RESISTANCE: 264 OHMS/M' AT 20°C.
 3. CONDUCTOR: 30 AWG,SOLID SP COPPERWELD 0.010" NOM. OD.
 4. INSULATION: 30AWG, FEP, 0.031" OD., 0.0107" AVG WALL
 5. BRAID SHIELD: 30AWG, 6 ENDS 44 AWG TINNED COPPER,95% MIN. COVERAGE.
 6. JACKET: 30AWG, FEP,0.050"±0.002" OD., 0.004" AVG WALL.
 7. TEMPERATURE RATING: -70°C~+200°C.
 8. NO MARKING.



014-3031-153	HITACHI, HCM-40309/1	30AWG	BLACK
FOXCONN P/N	VENDOR & P/N	AWG	JACKET COLOR
X±	X±		
.X±	.X±		
.XX± 0.05	.XX±		
.XXX±	.XXX±		
	UNITS [MM]		
	MAT'L		
	FINISH		
	NAME(INTENDED USE)		
	PART NO.(INTENDED USE)		
APPD: Sheng Tai			
CHKD:			
DR:Duke Du 1/17/2001			
	DWG NO: 014-0000-153		
	FOXCONN		
	HON HAI PRECISION IND. CO.,LTD.		
	TAIPEI, TAIWAN, R.O.C.		
	TITLE		
	COAXIAL CABLE		
	SCALE		
	N/A		
	SHEET		
	1/1		
	REV.		
	D		

THESE DIMENSIONS AND SPECIFICATIONS ARE THE PROPERTY OF HON HAI PRECISION IND CO., LTD AND SHALL NOT BE REPRODUCED OR USED IN ANY MANNER WITHOUT PERMISSION OF HON HAI PRECISION IND CO., LTD

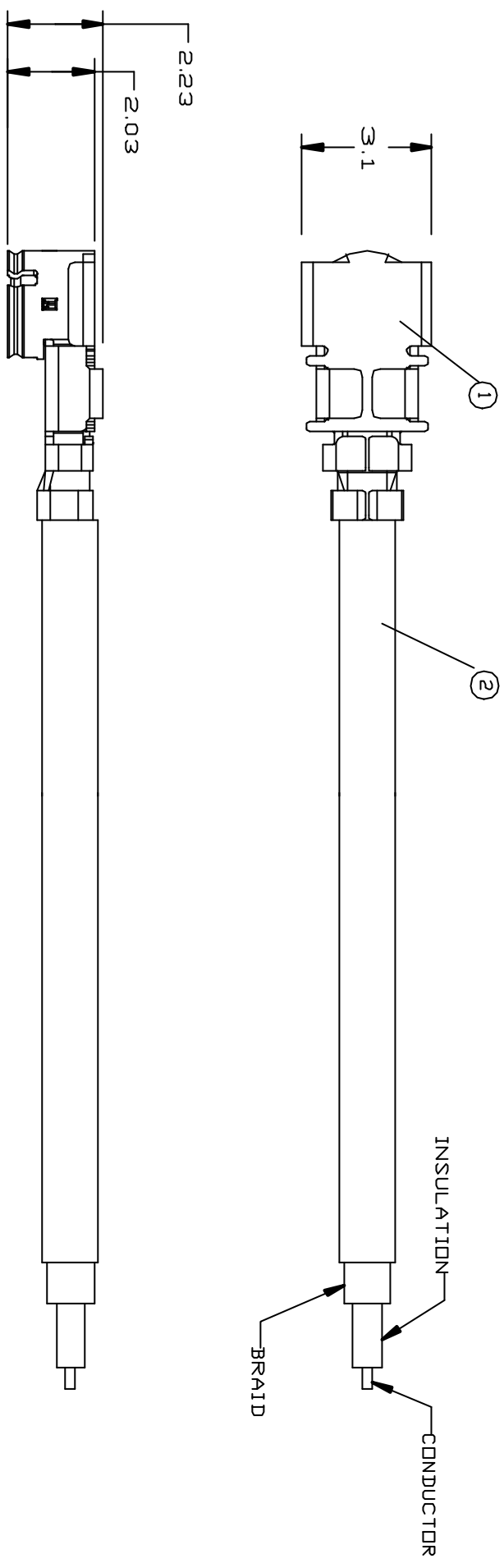
SCALE 10,000

GENERAL SPECIFICATION:

1. CONTACT RESISTANCE: 20 MILLIOHMS MAX.
2. INSULATION RESISTANCE: 500 MEGOHMS MIN.
3. WITHSTAND VOLTAGE 200 V_{AC}
4. CONNECTOR V.S.W.R.: 1.3 OR LESS AT DC TD 3 GHz
5. OPERATION TEMPERATURE: -40°C TD 90°C

RF CABLE ASSEMBLY MATERIAL:

1. CONTACT: COPPER ALLOY, GOLD PLATING
2. HOUSING: THERMOPLASTIC, UL 94V-0 RATED
3. METAL SHELL: COPPER ALLOY, SILVER PLATING
4. CABLE: 30AWG&32AWG SOLID COAXIAL CABLE.
5. PART NO. MATRIX: SGX0001-00



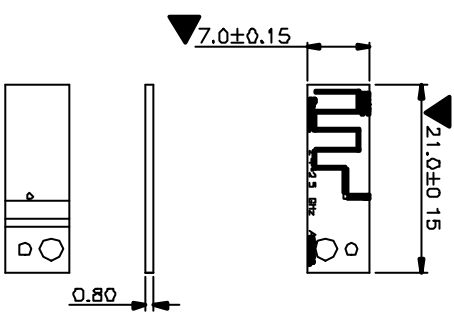
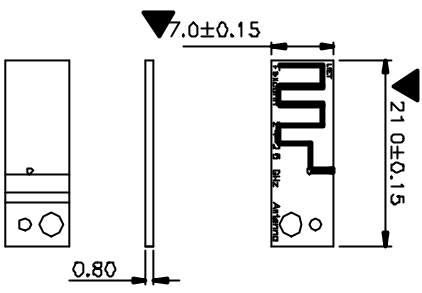
ITEM	PART NAME	FOXCONN PART NO.	EQUIVALENT VENDOR & PART NO.	Q'TY
2	WIRE	703-3000-291	30AWG SLD COAXIAL CABLE	A/R
1	RF CONN.	SGX0001-00	FOXCONN: EP01-025-001	1 PCS

X. ±	X. ±	UNITS	NAME/INTENDED USE	FOXCONN
X ± 0.1	X ±	MAT'L	SGX0001-00	HON HAI PRECISION IND. CO., LTD. TAPPEI, TAIWAN, R.O.C.
.XX ± 0.1	.XX ±	SEE NOTES	PART NO./INTENDED USE	TITLE: RF CABLE ASSEMBLY
.XXX ±	.XXX ±	FINISH	SGX0001-00	
THESE DIMENSIONS AND SPECIFICATIONS ARE FOR INFORMATION ONLY. THE CUSTOMER SHALL BE RESPONSIBLE FOR THE USE OF THE PARTS IN HIS APPLICATION. THE CUSTOMER SHALL BE RESPONSIBLE FOR THE USE OF THE PARTS IN HIS APPLICATION.		Q'TY	APPD: D. KD	DWG NO: EP01-025-001
			CHKD:	SCALE SHEET REV.
			DR: D. KD 12/2/00	10:1 1/1 X2

REV.	ECN. NO.	APPD.
X2		D. KD

NOTES:

1. ALL DIMENSIONS SHALL BE INTERPRETED PER ANSI Y14.5M-1982.
2. DIMENSIONS MARKED ▼ SHALL BE CHECKED.
3. PCB'S MATERIAL : FR-4, THICKNESS 0.8MM.



REV.	EQU. NO.	APPD.
X1		

K.±	K.±	UNITS	mm
x± ±0.2	x±	MATL	
.xx± ±0.1	.xx±	FINISH	
.xxx±	.xxx±		

NAME(INTENDED USE)	FOR QUANTA KTS
PART NO.(INTENDED USE)	
APPR: Sheng Tai 3/5/06	
CHKD:	
DR/Paul Zhou 3/5/02	

DWG NO.:	040-0000-893
SCALE	SHEET
N/A	1/1
REV.	X1

TITLE: PCB ANTENNA

FOXCONN
HON HAI PRECISION IND. CO. LTD
TAIPEI, TAIWAN, R.O.C.

THESE DRAWINGS AND SPECIFICATIONS ARE THE PROPERTY OF HON HAI PRECISION IND. CO. LTD. AND SHALL NOT BE REPRODUCED, COPIED, OR TRANSMITTED IN ANY FORM OR BY ANY MEANS, WITHOUT THE WRITTEN CONSENT OF HON HAI PRECISION IND. CO. LTD.

NOTES:

▲ UL MARKING.

2. RATING : UL 224, 125°C, 600V, VW-1
CSA, 125°C, 600V, OFT

3. DIELECTRIC STRENGTH : 500 V/MIL

4. VOLUME RESISTIVITY : 10^{14} OHM-CM.

5. TENSILE STRENGTH : 10.3 MPa (1500 psi) MIN..

6. PART NO. MATRIX: 080- A B CC - 620

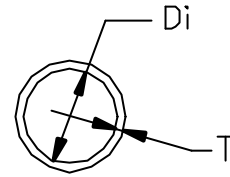
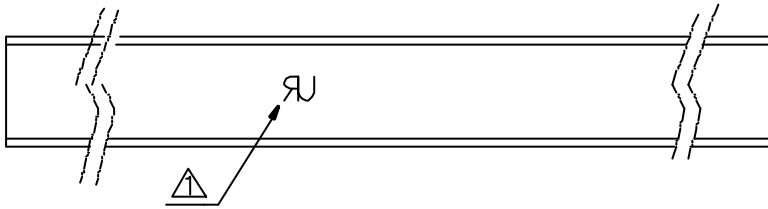
A: EQUIVALENT VENDER & PRODUCT

- A=0: SUMITUBE F2-*
- A=1: FAVORTRON FVC-2-*
- A=2: SUMITUBE F32-*
- A=3: CHANGBAO 102-*
- A=4: SUMITUBE F4-*
- A=5: HB T*ø

CC: INSIDE DIMENSION ID.

- B: COLOR
- B=0: BLACK.
- B=1: WHITE.
- B=2: RED.
- B=3: BLUE.
- B=4: GREEN.
- B=5: YELLOW.
- B=6: ORANGE.
- B=7: PURPLE.
- B=8: GRAY


REV.	ECN. NO.	APPD.
A	HC95121	JEFF C. 1/20/95
B	HC96190	C. CHEN 2/7/96
C	HC96670	C. CHEN 5/7/96
D	HC961695	CHARLES
E	HC971231	C. CHEN 6/18/97
F	MC991918	LAI 5/31/99
G	MC993360	LAI 10/16/99
H	MCD01163	LAI 4/11/2000
K		

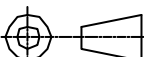


.X±	.X°±	UNITS	mm	NAME(INTENDED USE)	FOXCONN HON HAI PRECISION IND. CO.,LTD. TAIPEI, TAIWAN, R.O.C.		
.X± 0.2	.X°±	MAT'L					
.XX± 0.15	.XX°±	FINISH		PART NO.(INTENDED USE)	TITLE: HEAT SHRINKABLE TUBE		
.XXX±	.XXX°±		Q'TY	APPD: H.C.ZHENG 6/15'2001	DWG NO.:	080-0000-620	
THESE DRAWINGS AND SPECIFICATIONS ARE THE PROPERTY OF HON HAI PRECISION IND CO., LTD. AND SHALL NOT BE REPRODUCED COPIED OR USED IN ANY MANNER WITHOUT THE PRIOR WRITTEN CONSENT OF HON HAI PRECISION IND CO., LTD.			CHKD:		SCALE	SHEET	REV.
			DR: H.C.ZHENG 6/15'2001			N/A	1/2

REV.	ECN.	NO.	APPD

080-**25-620	0.8	0.13	0.4	0.20
080-**24-620	14.0	0.30	7.0	0.64
080-**23-620	1.0	0.20	0.5	0.33
080-**22-620	50.0	0.40	25.0	0.87
080-**21-620	38.0	0.40	19.0	0.87
080-**20-620	30.0	0.40	15.0	0.87
080-**19-620	25.0	0.40	12.5	0.87
080-**18-620	22.0	0.40	11.0	0.77
080-**17-620	20.0	0.35	10.0	0.77
080-**16-620	18.0	0.35	9.0	0.77
080-**15-620	16.0	0.30	8.0	0.69
080-**14-620	12.0	0.25	6.0	0.56
080-**13-620	11.0	0.25	5.5	0.56
080-**12-620	10.0	0.25	5.0	0.56
080-**11-620	9.0	0.25	4.5	0.56
080-**10-620	8.0	0.25	4.0	0.56
080-**09-620	7.0	0.25	3.5	0.56
080-**08-620	6.0	0.25	3.0	0.56
080-**07-620	5.0	0.25	2.5	0.56
080-**06-620	4.0	0.25	2.0	0.44
080-**05-620	3.5	0.25	1.75	0.44
080-**04-620	3.0	0.25	1.50	0.44
080-**03-620	2.5	0.25	1.25	0.44
080-**02-620	2.0	0.25	1.00	0.44
080-**01-620	1.5	0.20	0.75	0.36

Part Number 	Inside Diameter, Di (min.)	Wall Thickness, T (nomi.)	Inside Diameter, Di (max.)	Wall Thickness, T (min.)
	As Supplied		After Shrinkage	

X.±	X°.±	UNITS mm	NAME(INTENDED USE)	FOXCONN			
.X± 0.2	.X°.±	MAT'L	PART NO.(INTENDED USE)	HON HAI PRECISION IND. CO.,LTD. TAIPEI, TAIWAN, R.O.C.			
.XX± 0.15	.XX°.±			TITLE: HEAT SHRINKABLE TUBE			
.XXX±	.XXX°.±	FINISH	APPD: H.C.ZHENG 6/15'2001	DWG NO.: 080-0000-620			
THESE DRAWINGS AND SPECIFICATIONS ARE THE PROPERTY OF HON HAI PRECISION IND. CO., LTD AND SHALL NOT BE REPRDDUCED. COPIED OR USED IN ANY MANNER WITHOUT THE PRIOR WRITTEN CONSENT OF HON HAI PRECISION IND CO, LTD		Q'TY	CHKD:		SCALE	SHEET	REV.
			DR: H.C.ZHENG 6/15'2001		N/A	2/2	K