

TO QUANTA COMPUTER CORPORATION
SPECIFICATION FOR APPROVAL

CUSTOMER DWG. NO./PART NO.: TBD REV.: N/A

DESCRIPTION: RF CABLE ASS'Y

FOXCONN PROD. NO.: WDAN-Q1KT6002 REV.: AX1

ATTACHMENTS:

- 1. RF CABLE ASSEMBLY DRAWING 315-0900-126
- 2. DESIGN REVIEW FOR MATERIAL LIST... ML-126
- 3. PART DRAWING SGX0001-00
703-3000-290
014-0000-153
040-0000-896
080-0000-620

PLEASE RETURN TO US ONE COPY OF COVER PAGE OF THE
"SPECIFICATION FOR APPROVAL " WITH YOUR APPROVED SIGNATURES

APPROVED SIGNATURES		

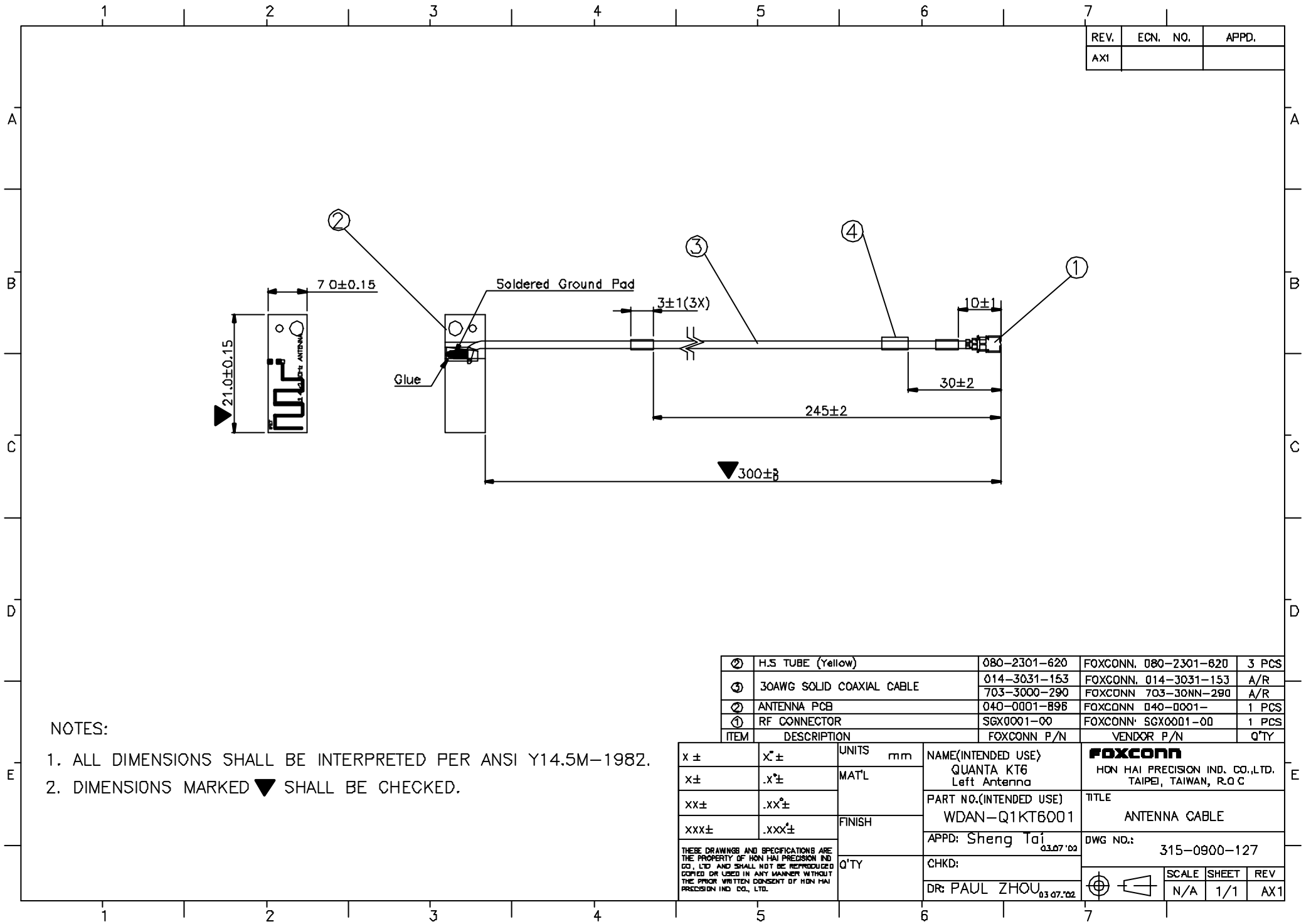


Hon Hai Precision Industry Co., Ltd.

2. TZU YU ST., TU-CHEN, TAIPEI HSIEN, 23606,
TAIWAN, R.O.C
TEL: (02) 2683466 (02) 2681477
TAIWAN, R.O.C
FAX: (02) 2687795 (02) 2683225
TLX. 32349 FOXCONNHH
UNIFORM INVOICE NUMBER: 04541302

Approved by: Sheng Checked by: _____ Prepared by: Paul Zhou

FILE NO.: SFA-126 REVISION NO.: AX1 DATE: 3. 7, 2002



REV.	ECN. NO.	APPD.
AX1		

NOTES:

1. ALL DIMENSIONS SHALL BE INTERPRETED PER ANSI Y14.5M-1982.
2. DIMENSIONS MARKED ▼ SHALL BE CHECKED.

②	H.S TUBE (Yellow)	080-2301-620	FOXCONN. 080-2301-620	3 PCS
③	30AWG SOLID COAXIAL CABLE	014-3031-153 703-3000-290	FOXCONN. 014-3031-153 FOXCONN 703-30NN-290	A/R A/R
②	ANTENNA PCB	040-0001-896	FOXCONN 040-0001-	1 PCS
①	RF CONNECTOR	SGX0001-00	FOXCONN. SGX0001-00	1 PCS
ITEM	DESCRIPTION	FOXCONN P/N	VENDOR P/N	Q'TY

x ±	.x ±	UNITS	mm	NAME(INTENDED USE)	FOXCONN HON HAI PRECISION IND. CO.,LTD. TAIPEI, TAIWAN, R.O.C
x ±	.x ±	MAT'L		QUANTA KT6 Left Antenna	
xx ±	.xx ±			PART NO.(INTENDED USE)	TITLE
xxx ±	.xxx ±	FINISH		WDAN-Q1KT6001	ANTENNA CABLE
THESE DRAWINGS AND SPECIFICATIONS ARE THE PROPERTY OF HON HAI PRECISION IND CO., LTD AND SHALL NOT BE REPRODUCED COPIED OR USED IN ANY MANNER WITHOUT THE PRIOR WRITTEN CONSENT OF HON HAI PRECISION IND CO., LTD.				APPD: Sheng Tai	DWG NO.:
				03.07'02	315-0900-127
				CHKD:	
				DR: PAUL ZHOU	03.07.'02
					SCALE SHEET REV
				N/A	1/1 AX1

DESIGN REVIEW FOR MATERIAL LIST

QUANTA P/N : TBD

NO : ML-126

DESCRIPTION : RF CABLE ASS'Y

PAGE : 1/1

ITEM	DESCRIPTION	SUPPLIER/AGENCY						QUANTA PART NUMBER	QUANTITY	REMARK
		SUPPLIER	SUPPLIER PART NO.	FOXCONN PART NO.	AVL	UL SUBMIT	CSA SUBMIT			
1	COAXIAL CABLE	HITACHI OR	HCM-40309/1	014-3031-153		N/A	N/A		A/R	
		ACTUONE	703-3000-290	703-3000-290		N/A	N/A		A/R	
2	RF CONN.	FOXCONN	SGX0001-00	SGX0001-00		N/A	N/A		1 PC	
3	PCB (LEFT)	FOXCONN	040-0002-896	040-0002-896		N/A	N/A		1 PC	
4	HEAT SHRINK TUBE	FOXCONN	080-2501-620	080-2501-620		N/A	N/A		3 PCS	

APPROVED BY: Sheng Tai 3/7/2002

CHECKED BY: _____

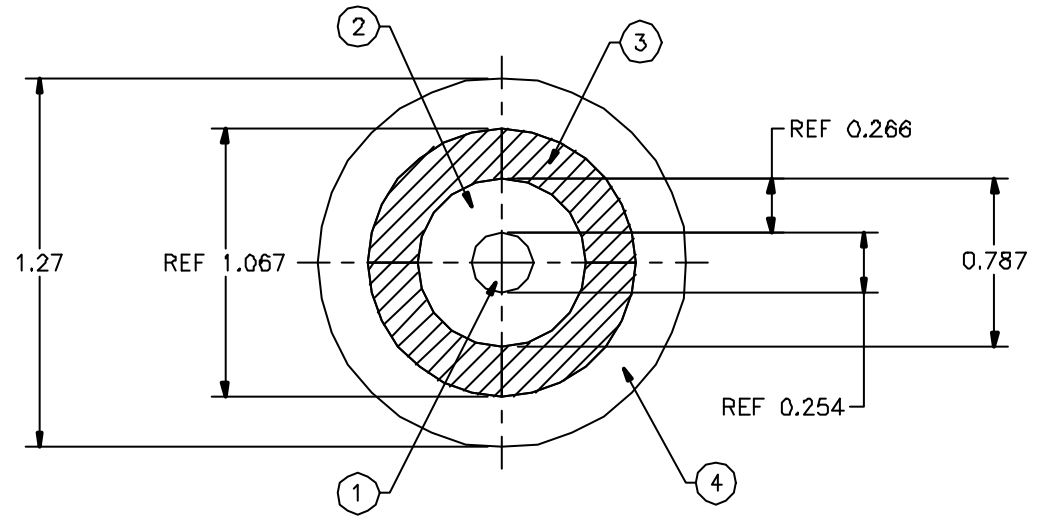
PREPARED BY: Paul Zhou 3/7/2002

ELECTRICAL		
IMPEDANCE	50	ohms
CAPACITANCE	30.5	pF/ft
CONDUCTOR RESISTANCE	860	ohms/KM

FREQUENCY (MHz)	ATTENUATION (dB/10ft)
500	3
1000	5
2000	8
3000	10

RATINGS	
TEMPERATURE:	200°C/105°C
VOLTAGE:	30V
UL STYLE:	1894/1943

REV	ECN No.	APPD.	DATE
A	MC-01-0847	VINCENT	3/28'01
B	MC-01-0847	ALLEN	4/13'01
C	MC-01-1942		



NOTES

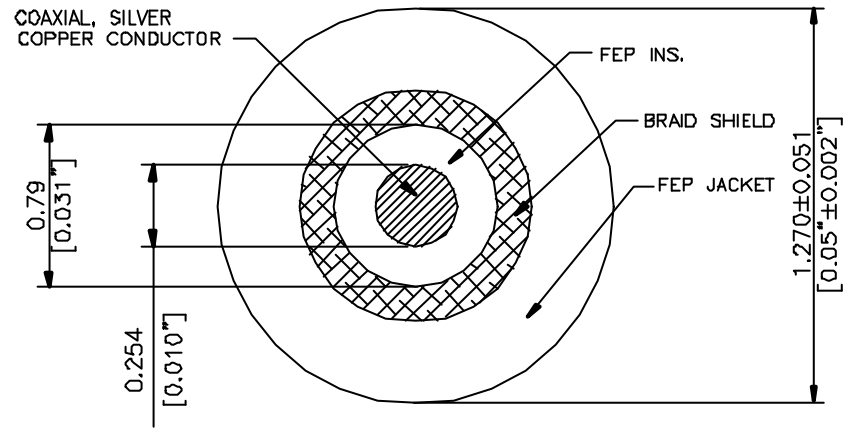
- 1.PRIMARY INSULATION CONCENTRICITY = 85% MIN
2. NN : JACKET COLOR CODE
00--BLACK 01--BROWN 02--RED 03--ORANGE
04--YELLOW 05--GREEN 06--BLUE 07--PURPLE
08--GRAY 09--WHITE 10--CLEAR 99--NATURAL
- 3 BRAIDING COVERAGE TO BE 95 % MIN.
- 4.DIELECTRIC STRENGTH:1.25KVAC/min
- 5 JACKET CONCENTRICITY = 80% MIN

4	A/R	902-***1-*24	JACKET INSULATION, FEP #
3	A/R	904-44**-*616	6ENDS/ 44 AWG TINNED PLATED BRAIDING
2	A/R	902-***1-*24	PRIMARY INSULATION, FEP #
1	A/R	904-30**-*851	30 AWG, SOLID SILVER PLATED COPPER CLAD STEEL
ITEM	QTY	PART No	DESCRIPTION

BILL OF MATERIALS					
	UNITS	NAME(INTENDED USE)	FOXCONN		
	mm	COAXIAL CABLE	HON HAI PRECISION IND CO.,LTD		
	MATERIAL	PART No (INTENDED USE)	TITLE		
	SEE BOM	703-30NN-290	RF CABLE		
	FINISH	DESIGN .	30 AWG, CONSTRUCTION		
	SEE NOTES	CHECKED	DWG No.		
	QTY	DRAWER	703-3000-290		
THESE DRAWINGS AND SPECS, ARE THE PROPERTY OF HON HAI PRECISION IND CO LTD AND SHALL NOT BE REPRODUCED, COPIED, OR USED IN ANY MANNER WITHOUT THE PRIOR WRITTEN CONSENT OF HON HAI PRECISION IND, CO. LTD			SCALE	SHEET	REV.
			NONE	1/1	C

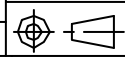
REV.	ECN. NO	APPD
D	MCO0176B	Lai 5/12/00

- NOTES:
- CAPACITANCE: 30.5 pF/FT.
 - CONDUCTOR RESISTANCE: 264 OHMS/M' AT 20°C.
 - CONDUCTOR: 30 AWG, SOLID SP COPPER WELD 0.010" NOM. OD.
 - INSULATION: 30AWG, FEP, 0.031" OD., 0.0107" AVG WALL.
 - BRAID SHIELD: 30AWG, 6 ENDS 44 AWG TINNED COPPER, 95% MIN. COVERAGE.
 - JACKET: 30AWG, FEP, 0.050" ± 0.002" OD., 0.004" AVG WALL.
 - TEMPERATURE RATING: -70°C ~ +20°C.
 - NO MARKING.



014-3031-153	HITACHI HCM-40309/1	30AWG	BLACK
FOXCONN P/N	VENDOR & P/N	AWG	JACKET COLOR

X.±	X'.±	UNITS [mm] [INCH]	NAME (INTENDED USE)	FOXCONN HON HAI PRECISION IND. CO., LTD. TAIPEI, TAIWAN, R.O.C.
.X±	.X'±	MAT'L	PART NO. (INTENDED USE)	
.XX± 0.05	.XX'±	FINISH	APPD: Sheng Tai	TITLE COAXIAL CABLE
.XXX±	.XXX'±		Q'TY	CHKD:
THESE DRAWINGS AND SPECIFICATIONS ARE THE PROPERTY OF HON HAI PRECISION IND CO., LTD AND SHALL NOT BE REPRODUCED COPIED OR USED IN ANY MANNER WITHOUT THE PRIOR WRITTEN CONSENT OF HON HAI PRECISION IND CO., LTD			DR: Duke Du 1/17/2001	SCALE SHEET REV. N/A 1/1 D



SCALE 10.000

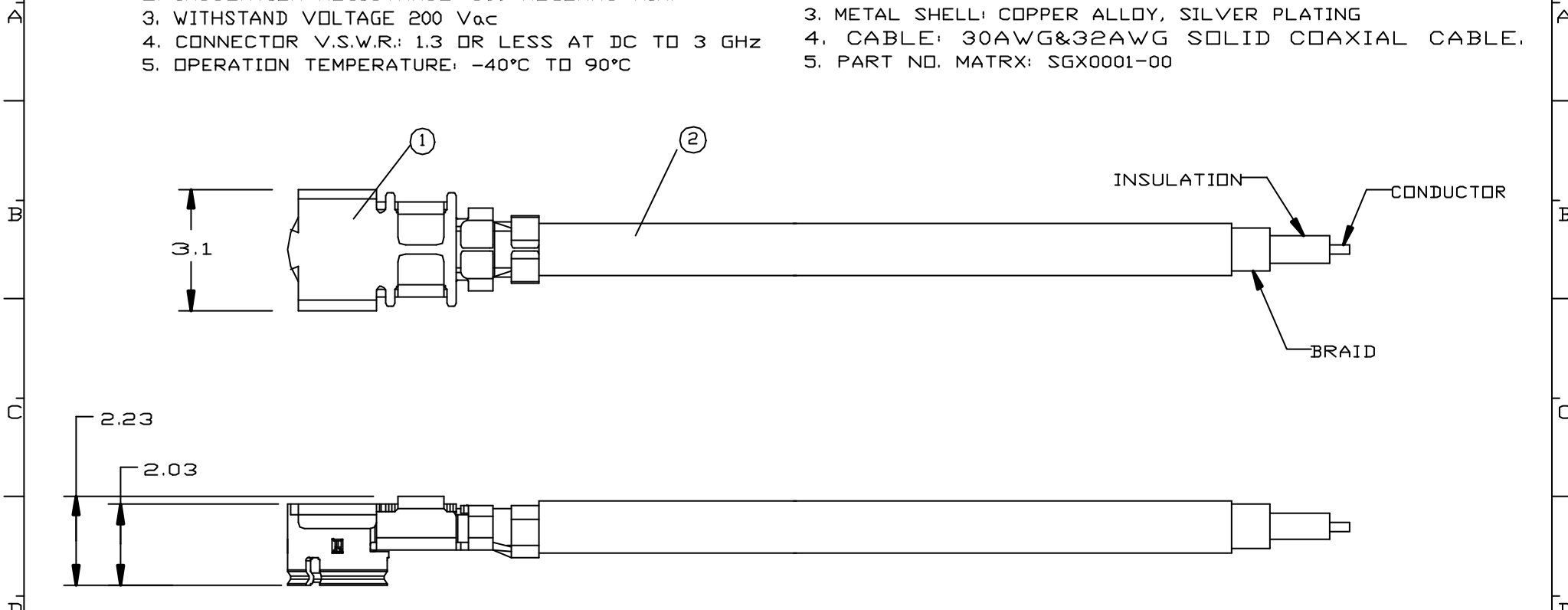
GENERAL SPECIFICATION:

1. CONTACT RESISTANCE: 20 MILIOHMS MAX.
2. INSULATION RESISTANCE: 500 MEGOHMS MIN.
3. WITHSTAND VOLTAGE 200 Vac
4. CONNECTOR V.S.W.R.: 1.3 OR LESS AT DC TO 3 GHz
5. OPERATION TEMPERATURE: -40°C TO 90°C

RF CABLE ASSEMBLY MATERIAL:

1. CONTACT: COPPER ALLOY, GOLD PLATING
2. HOUSING: THERMOPLASTIC, UL 94V-0 RATED
3. METAL SHELL: COPPER ALLOY, SILVER PLATING
4. CABLE: 30AWG&32AWG SOLID COAXIAL CABLE.
5. PART NO. MATRX: SGX0001-00

REV.	ECN. NO.	APPD.
X2		D, KD



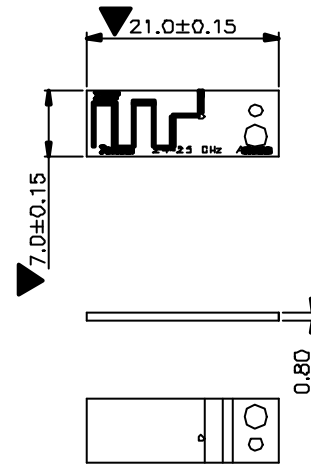
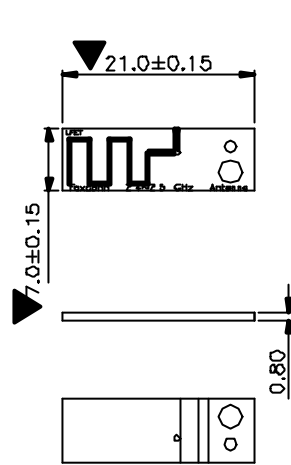
ITEM	PART NAME	FOXCONN PART NO.	EQUIVALENT VENDOR & PART NO.	Q'TY
2	WIRE	703-3000-291	30AWG SOLD COAXIAL CABLE	A/R
1	RF CONN.	SGX0001-00	FOXCONN: EP01-025-001	1 PCS

.X ± 0.1	.X ± 0.1	UNITS	mm	NAME (INTENDED USE)	SGX0001-00	FOXCONN HON HAI PRECISION IND. CO., LTD. TAIPEI, TAIWAN, R.O.C.
.XX ± 0.1	.XX ± 0.1	MAT'L	SEE NOTES	PART NO. (INTENDED USE)	SGX0001-00	
.XXX ±	.XXX ±	FINISH		APPD:	D, KD	TITLE:
THESE DRAWINGS AND SPECIFICATIONS ARE THE PROPERTY OF HON HAI PRECISION IND. CO., LTD. AND SHALL NOT BE REPRODUCED, COPIED OR USED IN ANY MANNER WITHOUT THE PRIOR WRITTEN CONSENT OF HON HAI PRECISION IND. CO., LTD.				Q'TY	CHKD:	DWG NO.:
					DR: D, KD 12/2/00	EP01-025-001
				SCALE	SHEET	REV.
				10:1	1/1	X2

REV	ECN. NO	APPD.
A		

NOTES:

1. ALL DIMENSIONS SHALL BE INTERPRETED PER ANSI Y14.5M-1982.
2. DIMENSIONS MARKED ▼ SHALL BE CHECKED.
3. PCB'S MATERIAL : FR-4 THICKNESS 0.8MM.



2	040-0002-896	II
1	040-0001-896	I
ITEM	P/N	TYPE

X ±	X ^o ±	UNITS	mm	NAME(INTENDE USE)	FOXCONN HON HAI PRECISION IND. CO.,LTD. TAIPEI, TAIWAN, R.O.C.
.x± ±0.2	x ^o ±	MAT'L		FOR QUANTA KT6	
.xx± ±0.1	xx ^o ±	FINISH	3	PART NO.(INTENDE USE)	TITLE:
.xxx±	.xxx ^o ±				
THESE DRAWINGS AND SPECIFICATIONS ARE THE PROPERTY OF HON HAI PRECISION IND. CO., LTD. AND SHALL NOT BE REPRODUCED COPIED OR USED IN ANY MANNER WITHOUT THE PRIOR WRITTEN CONSENT OF HON HAI PRECISION IND. CO., LTD.				APPD.	DWG NO.:
				Sheng Tai 3/7/02	040-0000-896
Q'TY				CHKD:	
				DR Paul Zhou 3/7/02	
					N/A 1/1 A

NOTES:

▲ UL MARKING.

2. RATING : UL 224, 125°C, 600V, VW-1
CSA, 125°C, 600V, OFT

3. DIELECTRIC STRENGTH : 500 V/MIL

4. VOLUME RESISTIVITY : 10^{14} OHM-CM.

5. TENSILE STRENGTH : 10.3 MPa (1500 psi) MIN..

6. PART NO. MATRIX: 080- A B CC - 620

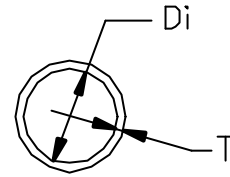
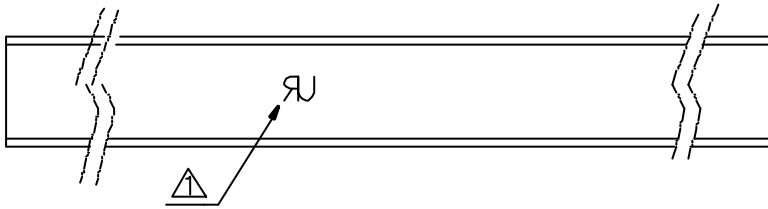
A: EQUIVALENT VENDER & PRODUCT

- A=0: SUMITUBE F2-*
- A=1: FAVORTRON FVC-2-*
- A=2: SUMITUBE F32-*
- A=3: CHANGBAO 102-*
- A=4: SUMITUBE F4-*
- A=5: HB T*ø

CC: INSIDE DIMENSION ID.

- B: COLOR
- B=0: BLACK.
- B=1: WHITE.
- B=2: RED.
- B=3: BLUE.
- B=4: GREEN.
- B=5: YELLOW.
- B=6: ORANGE.
- B=7: PURPLE.
- B=8: GRAY


REV.	ECN. NO.	APPD.
A	HC95121	JEFF C. 1/20/95
B	HC96190	C. CHEN 2/7/96
C	HC96670	C. CHEN 5/7/96
D	HC961695	CHARLES
E	HC971231	C. CHEN 6/18/97
F	MC991918	LAI 5/31/99
G	MC993360	LAI 10/16/99
H	MCD01163	LAI 4/11/2000
K		

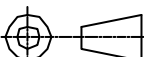


X.±	X°.±	UNITS mm	NAME(INTENDED USE)	FOXCONN HON HAI PRECISION IND. CO.,LTD. TAIPEI, TAIWAN, R.O.C.
.X± 0.2	.X°.±	MAT'L	PART NO.(INTENDED USE)	
.XX± 0.15	.XX°.±	FINISH	APPD: H.C.ZHENG 6/15'2001	TITLE: HEAT SHRINKABLE TUBE
.XXX±	.XXX°.±		Q'TY	CHKD:
THESE DRAWINGS AND SPECIFICATIONS ARE THE PROPERTY OF HON HAI PRECISION IND CO., LTD. AND SHALL NOT BE REPRODUCED COPIED OR USED IN ANY MANNER WITHOUT THE PRIOR WRITTEN CONSENT OF HON HAI PRECISION IND CO., LTD.			DR: H.C.ZHENG 6/15'2001	SCALE SHEET REV. N/A 1/2 K

REV.	ECN.	NO.	APPD

080-**25-620	0.8	0.13	0.4	0.20
080-**24-620	14.0	0.30	7.0	0.64
080-**23-620	1.0	0.20	0.5	0.33
080-**22-620	50.0	0.40	25.0	0.87
080-**21-620	38.0	0.40	19.0	0.87
080-**20-620	30.0	0.40	15.0	0.87
080-**19-620	25.0	0.40	12.5	0.87
080-**18-620	22.0	0.40	11.0	0.77
080-**17-620	20.0	0.35	10.0	0.77
080-**16-620	18.0	0.35	9.0	0.77
080-**15-620	16.0	0.30	8.0	0.69
080-**14-620	12.0	0.25	6.0	0.56
080-**13-620	11.0	0.25	5.5	0.56
080-**12-620	10.0	0.25	5.0	0.56
080-**11-620	9.0	0.25	4.5	0.56
080-**10-620	8.0	0.25	4.0	0.56
080-**09-620	7.0	0.25	3.5	0.56
080-**08-620	6.0	0.25	3.0	0.56
080-**07-620	5.0	0.25	2.5	0.56
080-**06-620	4.0	0.25	2.0	0.44
080-**05-620	3.5	0.25	1.75	0.44
080-**04-620	3.0	0.25	1.50	0.44
080-**03-620	2.5	0.25	1.25	0.44
080-**02-620	2.0	0.25	1.00	0.44
080-**01-620	1.5	0.20	0.75	0.36

Part Number 	Inside Diameter, Di (min.)	Wall Thickness, T (nomi.)	Inside Diameter, Di (max.)	Wall Thickness, T (min.)
	As Supplied		After Shrinkage	

X.±	X°.±	UNITS mm	NAME(INTENDED USE)	FOXCONN			
.X± 0.2	.X°.±	MAT'L	PART NO.(INTENDED USE)	HON HAI PRECISION IND. CO.,LTD. TAIPEI, TAIWAN, R.O.C.			
.XX± 0.15	.XX°.±			TITLE: HEAT SHRINKABLE TUBE			
.XXX±	.XXX°.±	FINISH	APPD: H.C.ZHENG 6/15'2001	DWG NO.: 080-0000-620			
THESE DRAWINGS AND SPECIFICATIONS ARE THE PROPERTY OF HON HAI PRECISION IND. CO., LTD AND SHALL NOT BE REPRDDUCED, COPIED OR USED IN ANY MANNER WITHOUT THE PRIOR WRITTEN CONSENT OF HON HAI PRECISION IND CO, LTD		Q'TY	CHKD:		SCALE	SHEET	REV.
			DR: H.C.ZHENG 6/15'2001		N/A	2/2	K