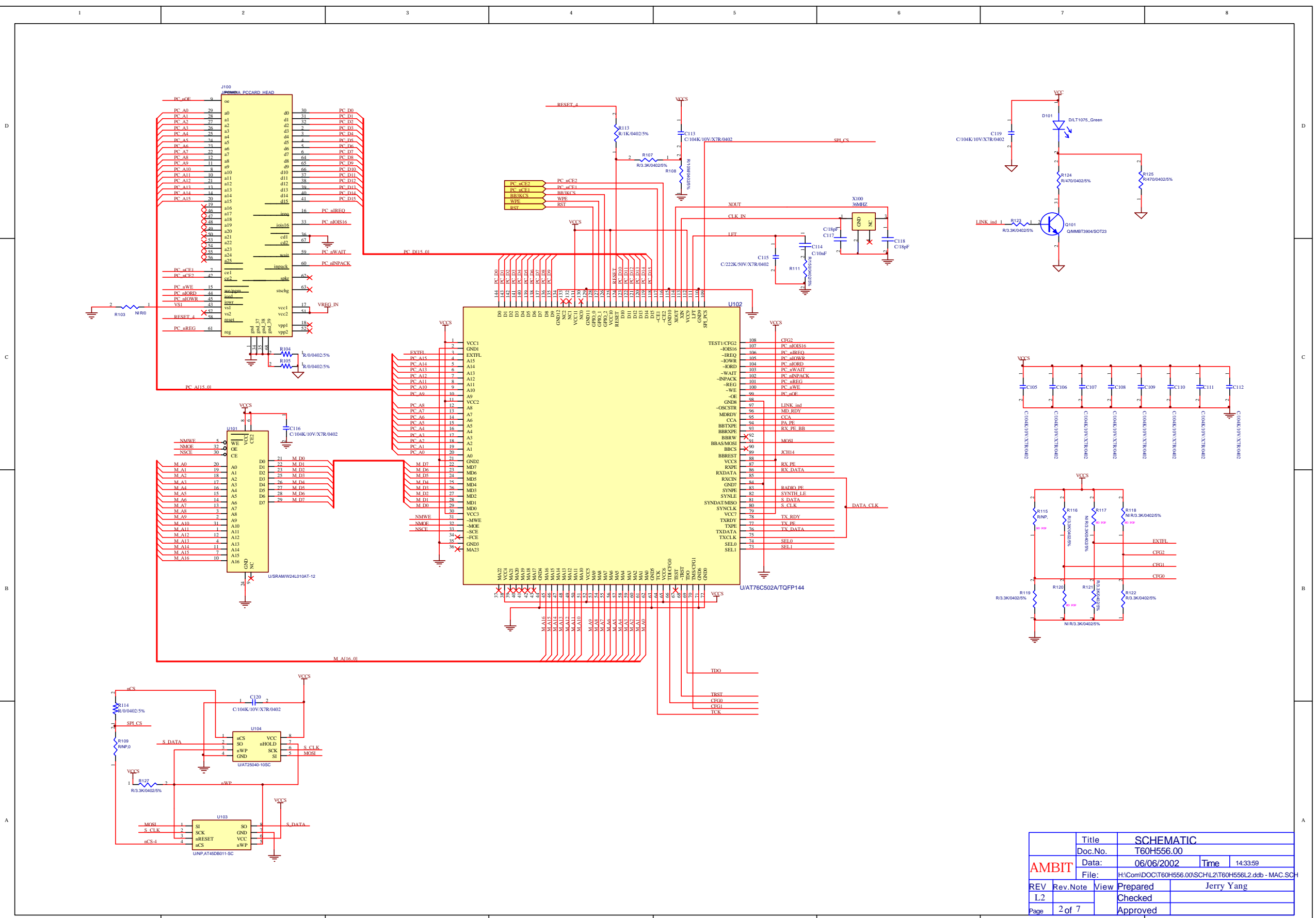
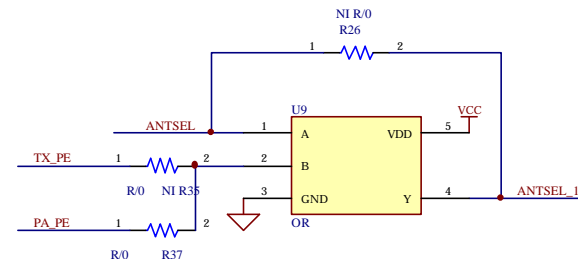
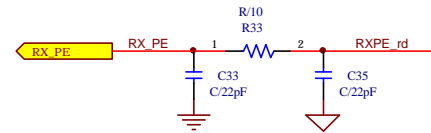
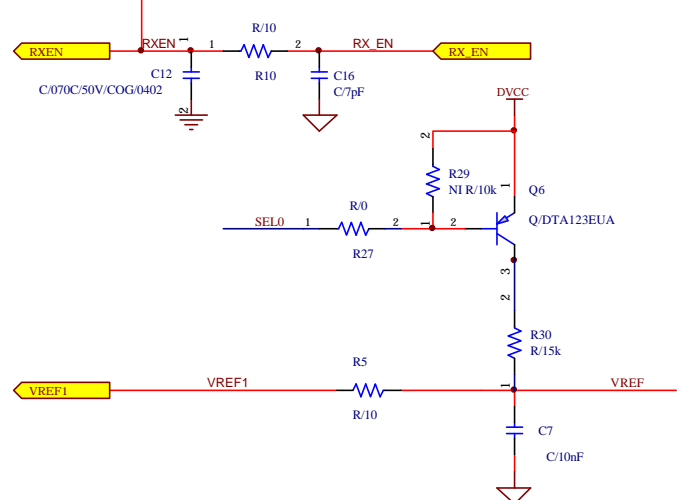
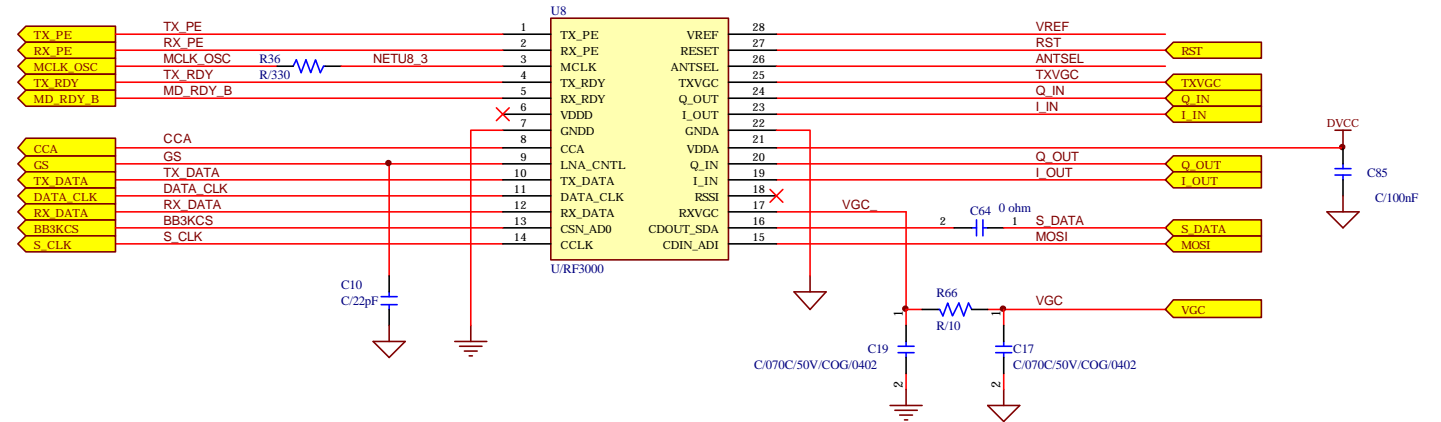
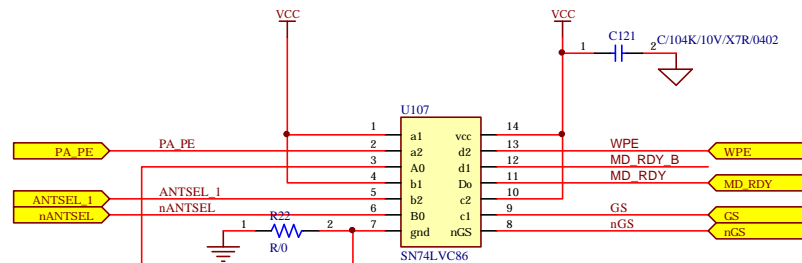
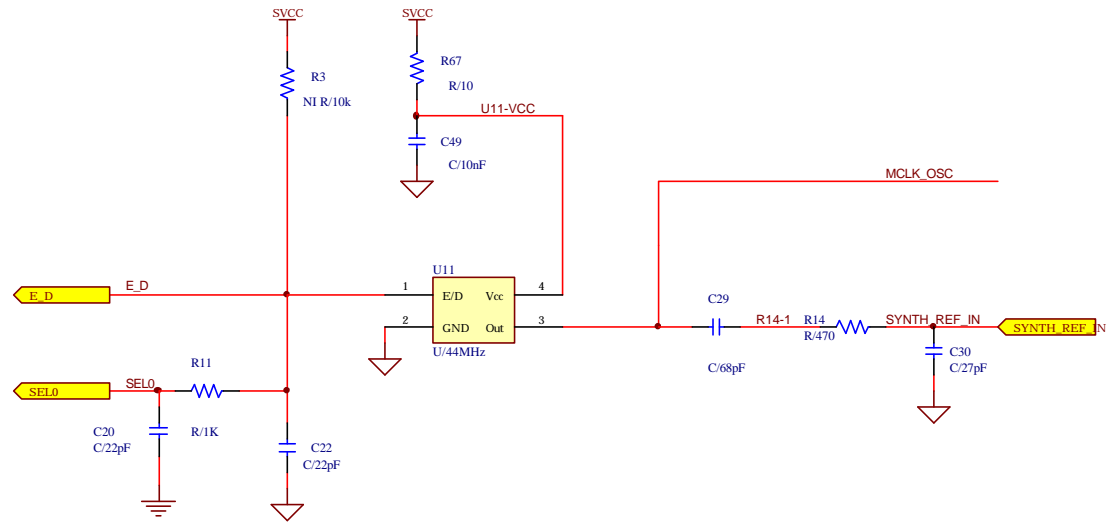


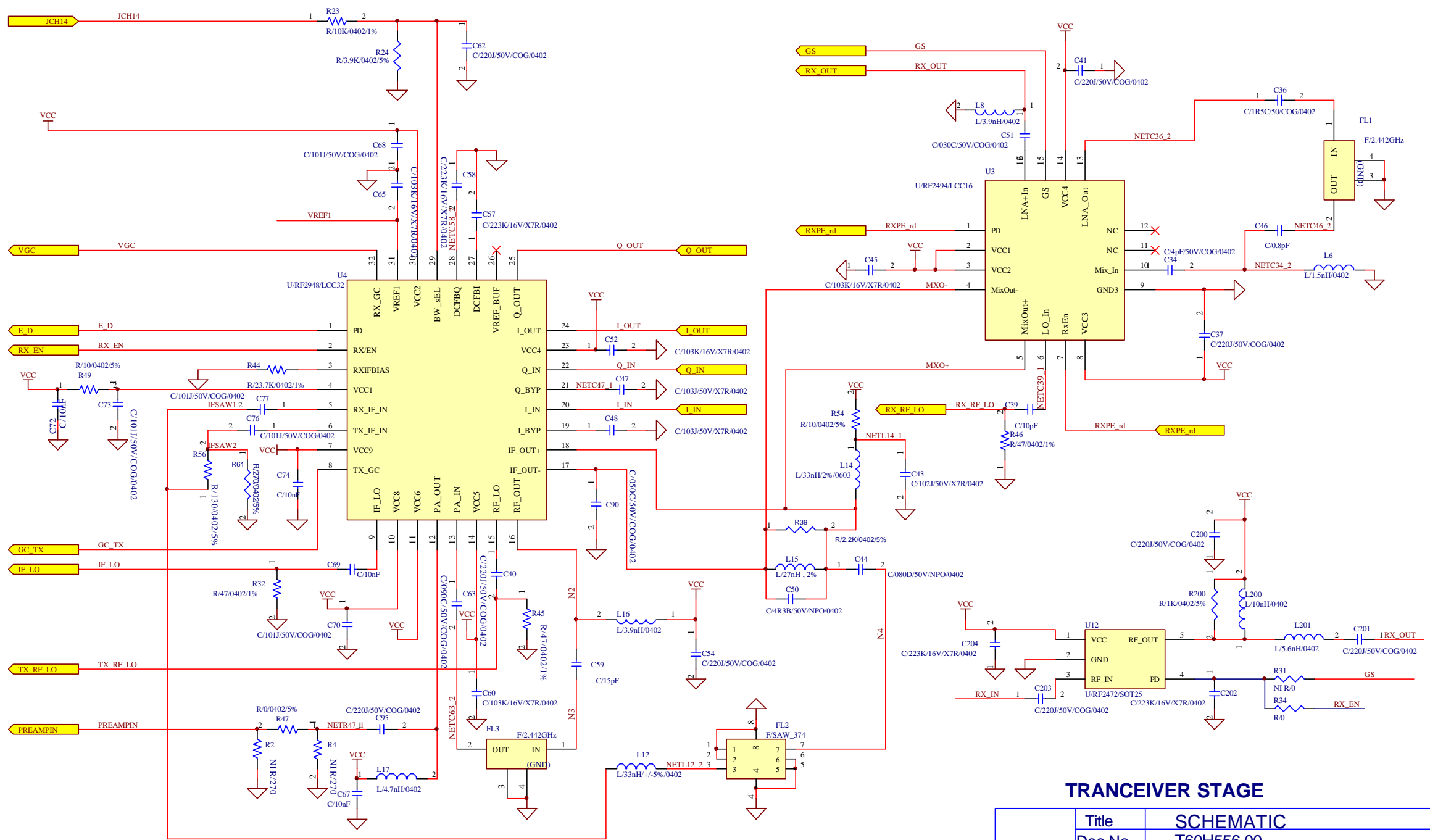
		Title	SCHEMATIC	
		Doc.No.	T60H556.00	
AMBITE	REV	Rev.Note	Data:	06/06/2002
	L2		Time	14:33:56
	Page	1 of 7	File:	H:\Com\DOC\T60H556.00\SCH\2\T60H556L2.ddb - T60H556.Frj
	View	Prepared	Jerry Yang	
		Checked		
		Approved		



Title		SCHEMATIC	
Doc.No.		T60H556.00	
Date:		06/06/2002	Time: 14:33:59
AMBITION	File:	H:\Com\DOC\T60H556.00SCH\2\T60H556L2.ddb - MAC.SCH	
REV	Rev.Note	View	Prepared
L.2		Checked	Jerry Yang
Page	2 of 7	Approved	

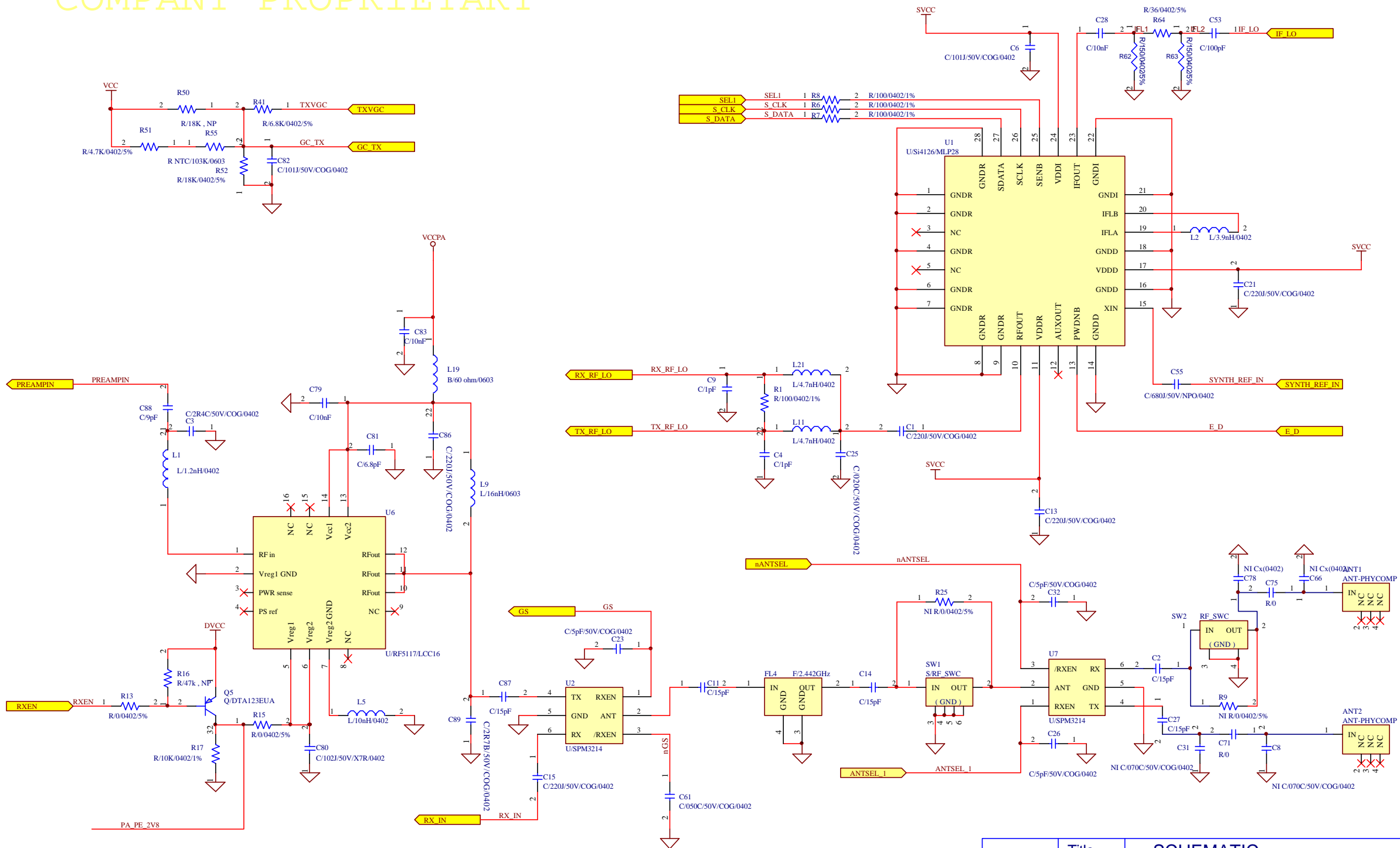


Title		SCHEMATIC	
Doc.No.		T60H556.00	
AMBIT	Data:	06/06/2002	Time 14:34:06
File:		H:\Com\DOC\T60H556.00\SCH\L2\T60H556L2.ddb - BASEBAND.SCH	
REV	Rev.Note	View	Prepared
L2			Jerry Yang
Page 3 of 7		Checked	
		Approved	

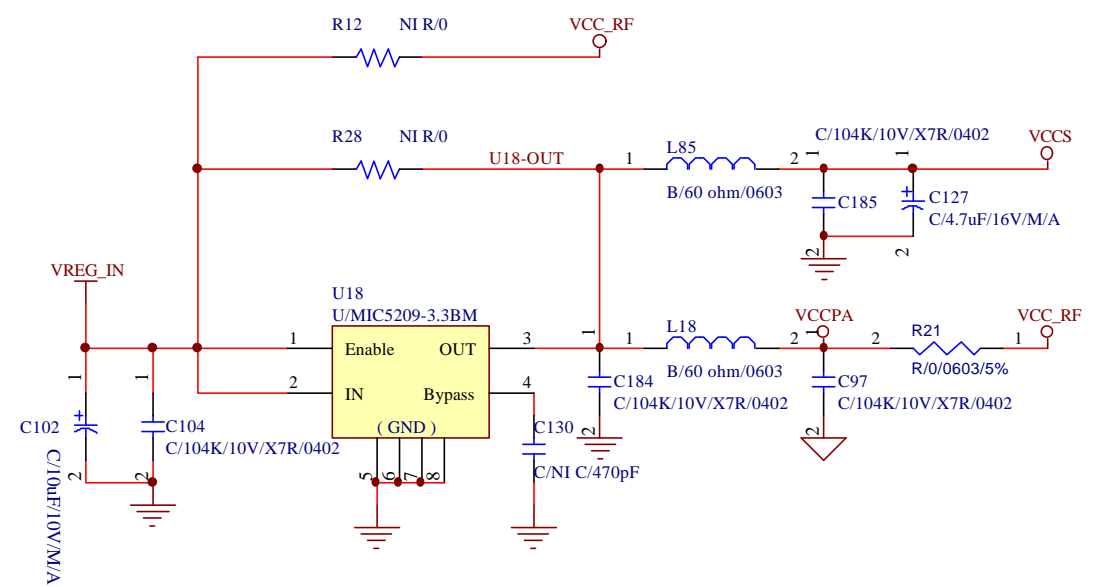
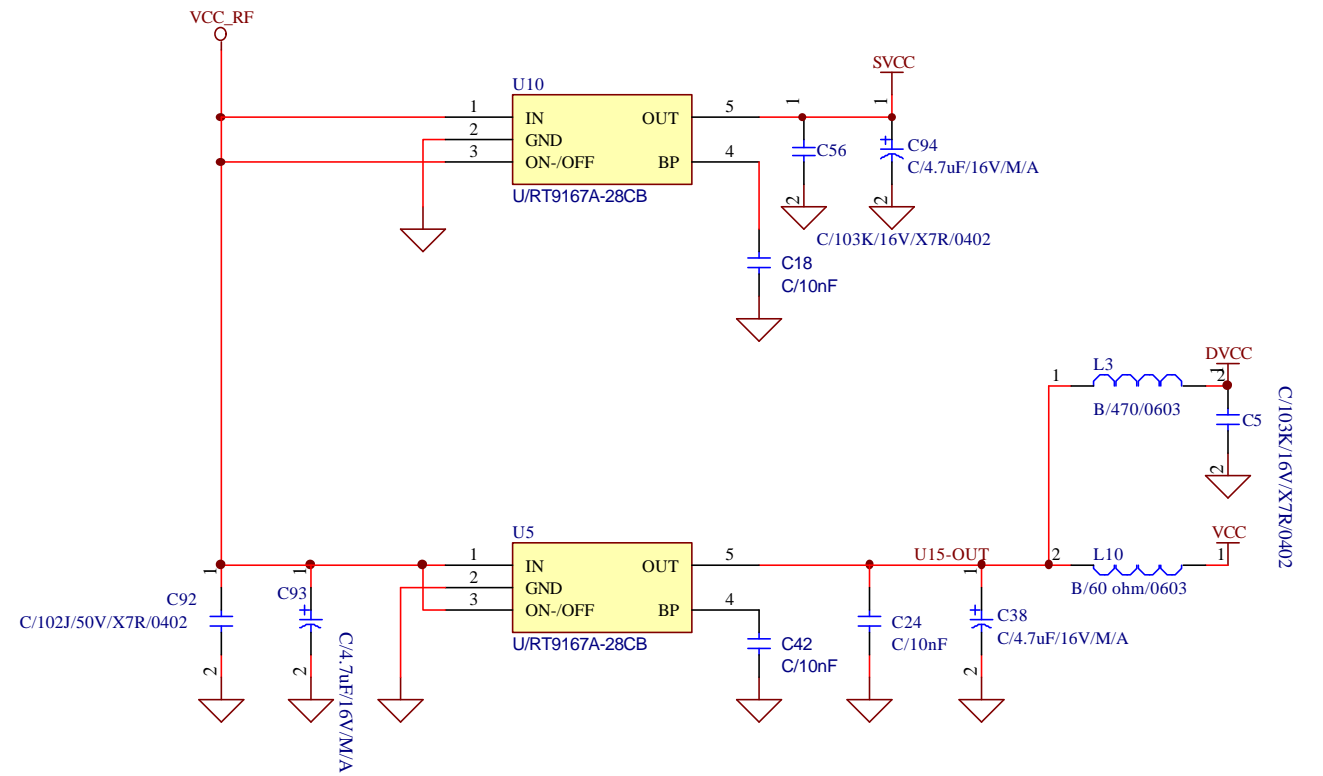
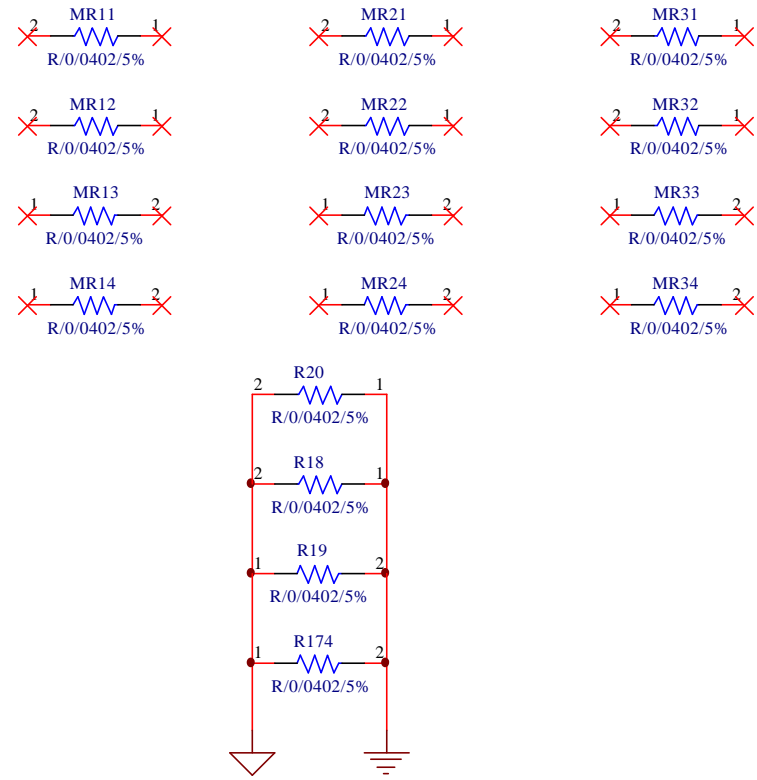


TRANCEIVER STAGE

Title		SCHEMATIC	
Doc.No.		T60H556.00	
AMBIT	Data:	06/06/2002	Time 14:34:08
	File:	H:\Com\DOC\T60H556.00\SCH\L2\T60H556L2.ddb - Tranceiver	
REV	Rev.Note	View	Prepared
L2			Checked
Page	4 of 7		Approved
		Jerry Yang	



Title		SCHEMATIC	
Doc.No.		T60H556.00	
AMBIT	Data:	06/06/2002	Time 14:34:12
	File:	H:\Com\DOC\T60H556.00\SCH\T60H556L2.ddb - Synthesizer.Sch	
REV	Rev.Note	View	Prepared
L2			Jerry Yang
			Checked
Page	5 of 7		Approved



Title		SCHEMATIC	
Doc.No.		T60H556.00	
Data:		06/06/2002	Time 14:34:17
File:		H:\Com\DOC\T60H556.00\SCH\2\T60H556L2.ddb - Voltage	
REV	Rev.Note	View	Prepared
L2			Checked
Page	6 of 7		Approved
			Jerry Yang



		Title	SCHEMATIC	
		Doc.No.	T60H556.00	
AMBIT	Data:	06/06/2002	Time	14:34:19
	File:	H:\Com\DOC\T60H556.00\SCHL2\T60H556L2.ddb - Tspoint.sch		
REV	Rev.Note	View	Prepared	Jerry Yang
L2			Checked	
Page	7 of 7		Approved	