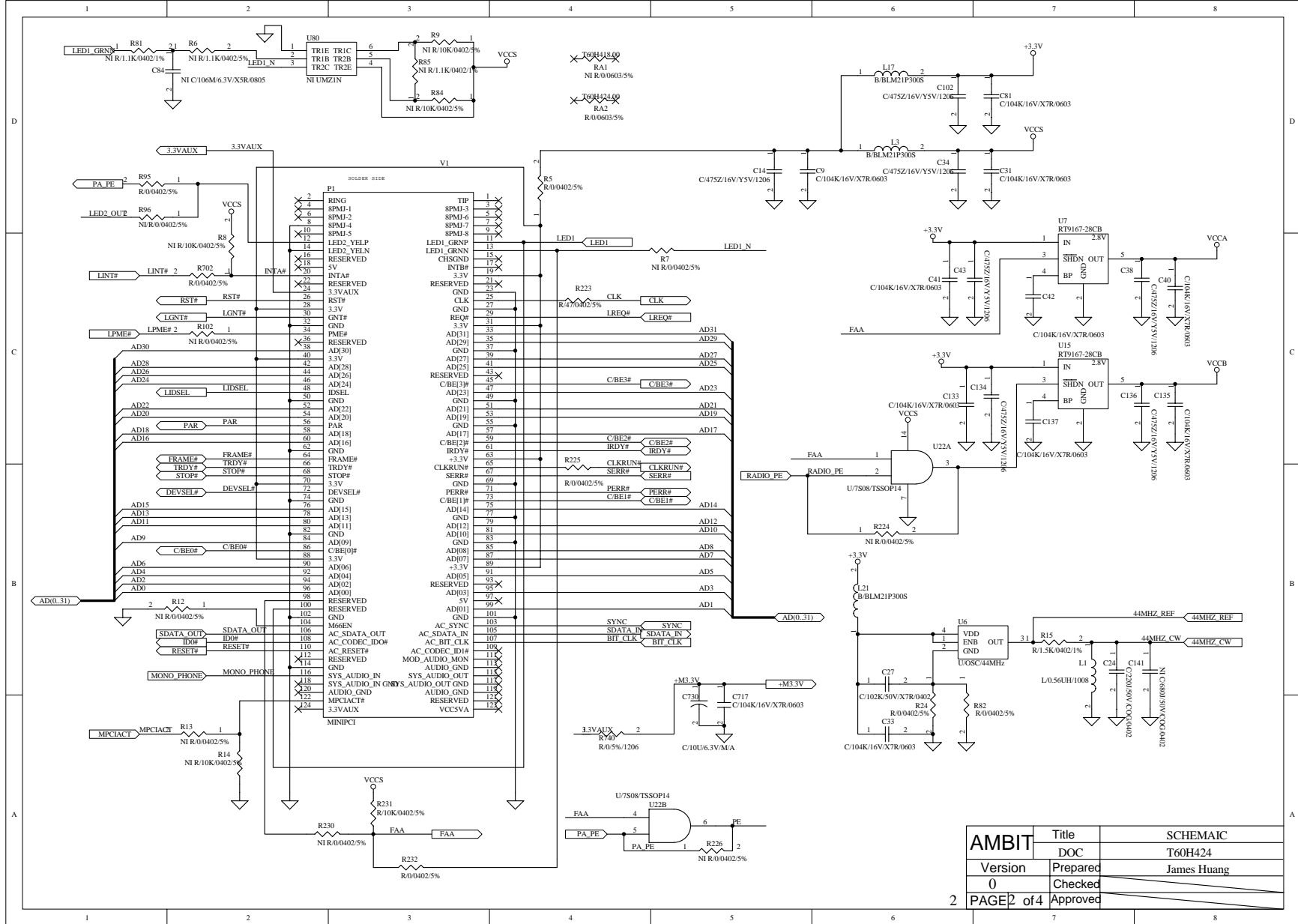


- MINI_PCI
MINI_PC1sch
- PE
 - MONO_PHONE
 - RESET#
 - ID0#
 - SDATA_OUT
 - SYNC
 - SDATA_IN
 - BIT_CLK
 - +M3.3V
 - MPCIACT
 - LREQ#
 - CLK
 - CBE2#
 - CBE3#
 - IRDY#
 - SERR#
 - PERR#
 - CBE1#
 - CLKRUN#
 - LED1
 - PA_PE
 - LED1_GRNN
 - LINT#
 - LPME#
 - LGNT#
 - RST#
 - PAR
 - FRAME#
 - TRDY#
 - STOR#
 - DEVSEL#
 - CBE0#
 - LIDSSEL
 - AD0..31)
 - AD0..31)
 - VCCS
 - +3.3V
 - VCCA
 - VCCB
 - 44MHZ_REF
 - 44MHZ_CW
 - RADIO_PE

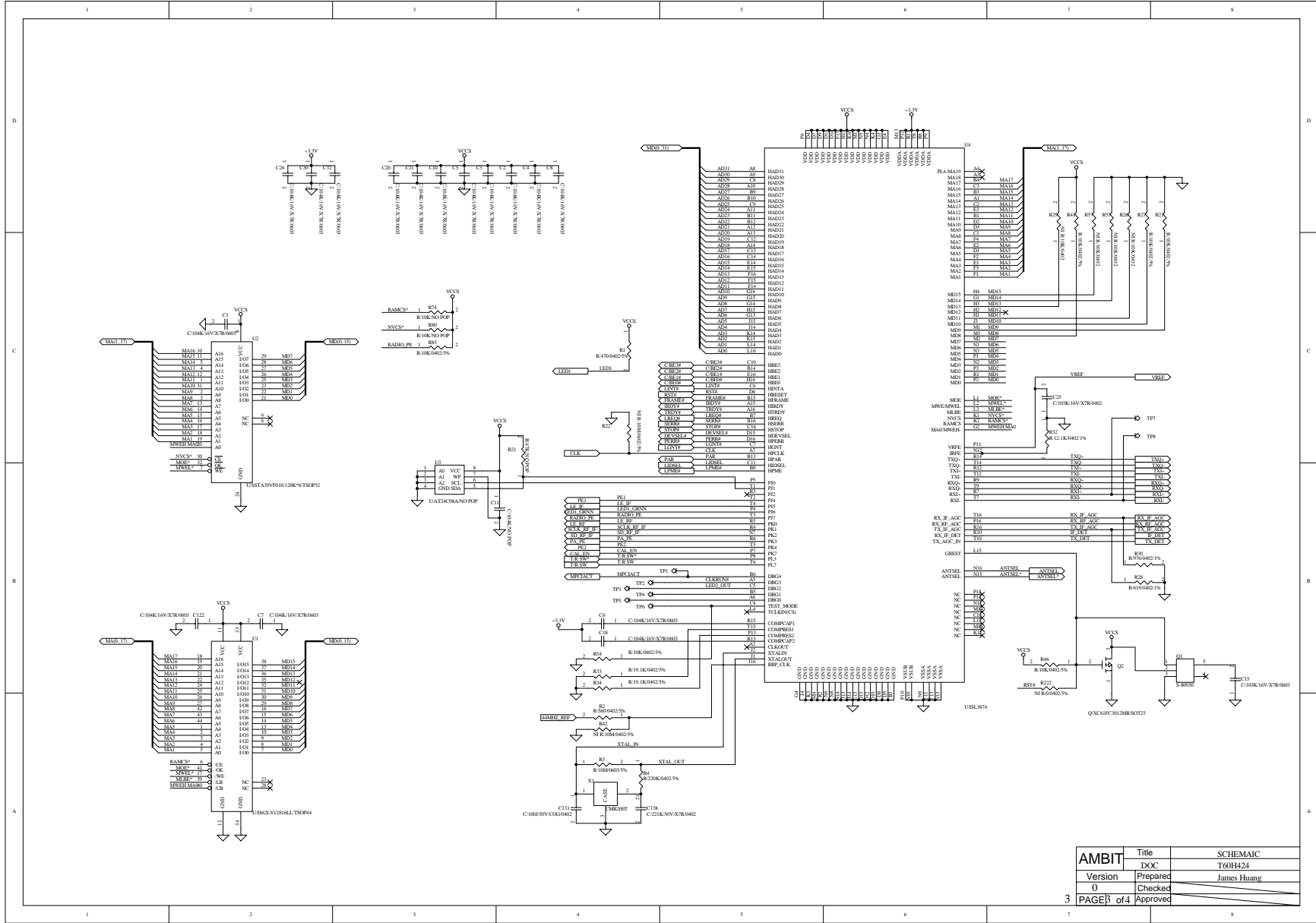
- WLAN1
WLAN1.Sch
- 44MHZ_REF
 - TXQ-
 - TXQ+
 - TXI-
 - TXI+
 - RXQ+
 - RXQ-
 - RXI+
 - RXI-
 - VREF
 - RX_IF_AGC
 - RX_RF_AGC
 - TX_IF_AGC
 - IF_DET
 - TX_DET
 - ANTSEL
 - ANTSEL*
 - LE_IF
 - T/R_SW
 - T/R_SW*
 - CAL_EN
 - LE_RF
 - PA_PE
 - PE1
 - RADIO_PE
 - SCLK_RF_IF
 - SD_RF_IF
 - PE2
 - MPCIACT
 - LED1_GRNN
 - LPME#
 - LIDSSEL
 - PAR
 - FRAME#
 - TRDY#
 - STOR#
 - DEVSEL#
 - CBE0#
 - CBE1#
 - CBE2#
 - CBE3#
 - PERR#
 - SERR#
 - LREQ#
 - RST#
 - LINT#
 - IRDY#
 - LGNT#
 - CLK
 - LED1
 - MD0..15)
 - MD0..15)
 - MA0..17)
 - MA0..17)
 - MD0..31)
 - MA0..17)

- WLAN2
WLAN2.Sch
- TXQ-
 - TXQ+
 - VREF
 - TXI-
 - TXI+
 - RXQ+
 - RXQ-
 - RXI+
 - RXI-
 - PE
 - +3.3V
 - TX_DET
 - TX_IF_AGC
 - RX_IF_AGC
 - IF_DET
 - PE1
 - PE2
 - CAL_EN
 - 44MHZ_CW
 - LE_RF
 - SCLK_RF_IF
 - SD_RF_IF
 - LE_IF
 - T/R_SW
 - T/R_SW*
 - ANTSEL
 - ANTSEL*
 - RX_RF_AGC
 - VCCA
 - VCCB
 - PE1
 - PE2
 - AGND

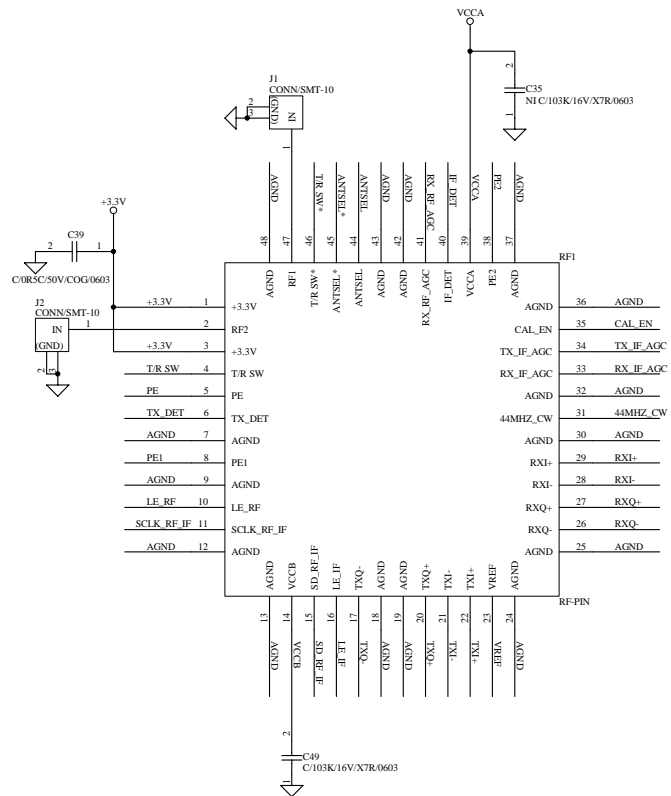
AMBIT	Title	SCHEMAIC
	DOC	T60H424
Version	Prepared	James Huang
0	Checked	
1	Approved	



AMBIT	Title	SCHEMATIC
Version	DOC	T60H424
0	Prepared	James Huang
2	Checked	
PAGE 2 of 4	Approved	



AMBIT	Title	SCHEMATIC
Version	Prepared	T60H424
0	Checked	James Huang
3	Approved	



AMBIT	Title	SCHEMAIC
	DOC	T60H424
Version	Prepared	James Huang
	Checked	
4	PAGE 4 of 4	Approved