



# Supplemental “Transmit Simultaneously” Test Report

**REPORT NO.:** RF140116E08-2

**COMPLIANCE ID:** ADBB-GX13004A

**PRODUCT NAME\* :** DB 6520

*\*For any other product variant refer to above Compliance ID*

**FCC ID:** MCLDB6520

**RECEIVED:** Jan. 16, 2014

**TESTED:** Jan. 27 to Feb. 27, 2014

**ISSUED:** May 14, 2014

**APPLICANT:** Hon Hai PRECISION IND.CO.,LTD

**ADDRESS:** 5F-1,5 Hsin-An Road Hsinchu, Science-Based  
Industrial Park Taiwan, R.O.C.

**ISSUED BY:** Bureau Veritas Consumer Products Services (H.K.)  
Ltd., Taoyuan Branch Hsin Chu Laboratory

**LAB ADDRESS :** No. 81-1, Lu Liao Keng, 9th Ling,Wu Lung Tsuen,  
Chiung Lin Hsiang, Hsin Chu Hsien 307, Taiwan,  
R.O.C.

**TEST LOCATION (1):** No. 81-1, Lu Liao Keng, 9th Ling,Wu Lung Tsuen,  
Chiung Lin Hsiang, Hsin Chu Hsien 307, Taiwan,  
R.O.C.

**TEST LOCATION (2):** No. 49, Ln. 206, Wende Rd., Shangshan Tsuen,  
Chiung Lin Hsiang, Hsin Chu Hsien 307, Taiwan,  
R.O.C.

This report should not be used by the client to claim  
product certification, approval, or endorsement by TAF  
or any government agencies.



This report is for your exclusive use. Any copying or replication of this report to or for any other person or entity, or use of our name or trademark, is permitted only with our prior written permission. This report sets forth our findings solely with respect to the test samples identified herein. The results set forth in this report are not indicative or representative of the quality or characteristics of the lot from which a test sample was taken or any similar or identical product unless specifically and expressly noted. Our report includes all of the tests requested by you and the results thereof based upon the information that you provided to us. You have 60 days from date of issuance of this report to notify us of any material error or omission caused by our negligence, provided, however, that such notice shall be in writing and shall specifically address the issue you wish to raise. A failure to raise such issue within the prescribed time shall constitute your unqualified acceptance of the completeness of this report, the tests conducted and the correctness of the report contents. Unless specific mention, the uncertainty of measurement has been explicitly taken into account to declare the compliance or non-compliance to the specification

## Table of Contents

RELEASE CONTROL RECORD .....	3
1. CERTIFICATION .....	4
2. SUMMARY OF TEST RESULTS .....	5
2.1 MEASUREMENT UNCERTAINTY .....	6
3. GENERAL INFORMATION .....	7
3.1 GENERAL DESCRIPTION OF EUT .....	7
3.2 TEST MODE APPLICABILITY AND TESTED CHANNEL DETAIL: .....	11
3.3 DESCRIPTION OF SUPPORT UNITS .....	13
3.4 CONFIGURATION OF SYSTEM UNDER TEST .....	14
4. TEST TYPES AND RESULTS .....	16
4.1 CONDUCTED EMISSION MEASUREMENT .....	16
4.1.1 LIMITS OF CONDUCTED EMISSION MEASUREMENT .....	16
4.1.2 TEST INSTRUMENTS .....	16
4.1.3 TEST PROCEDURES .....	17
4.1.4 DEVIATION FROM TEST STANDARD .....	17
4.1.5 TEST SETUP .....	18
4.1.6 EUT OPERATING CONDITIONS .....	18
4.1.7 TEST RESULTS .....	19
4.2 RADIATED EMISSION MEASUREMENT .....	21
4.2.1 LIMITS OF RADIATED EMISSION MEASUREMENT .....	21
4.2.2 TEST INSTRUMENTS .....	22
4.2.3 TEST PROCEDURES .....	24
4.2.4 DEVIATION FROM TEST STANDARD .....	24
4.2.5 TEST SETUP .....	25
4.2.6 EUT OPERATING CONDITIONS .....	25
4.2.7 TEST RESULTS .....	26
4.3 CONDUCTED OUT-BAND EMISSION MEASUREMENT .....	28
4.3.1 LIMITS OF CONDUCTED OUT-BAND EMISSION MEASUREMENT .....	28
4.3.2 TEST INSTRUMENTS .....	28
4.3.3 TEST PROCEDURE .....	28
4.3.4 DEVIATION FROM TEST STANDARD .....	29
4.3.5 TEST SETUP .....	29
4.3.6 EUT OPERATING CONDITION .....	29
4.3.7 TEST RESULTS .....	29
4. INFORMATION ON THE TESTING LABORATORIES .....	30



A D T

## RELEASE CONTROL RECORD

ISSUE NO.	REASON FOR CHANGE	DATE ISSUED
RF140116E08-2	Original release	May 14, 2014



A D T

## 1. CERTIFICATION

**COMPLIANCE ID:** ADBB-GX13004A

**PRODUCT NAME\*:** DB 6520

**PRODUCT DESCRIPTION:** VDSL/GbE WiFi Data Router

*\*For any other product variant refer to above Compliance ID*

**BRAND NAME:** ADB

**TEST SAMPLE:** ENGINEERING SAMPLE

**APPLICANT:** Hon Hai PRECISION IND.CO.,LTD

**TESTED:** Jan. 27 to Feb. 27, 2014

**STANDARDS:** FCC Part 15, Subpart C (Section 15.247)

ANSI C63.10-2009

The above equipment (Model: DB 6520) has been tested by **Bureau Veritas Consumer Products Services (H.K.) Ltd., Taoyuan Branch**, and found compliance with the requirement of the above standards. The test record, data evaluation & Equipment Under Test (EUT) configurations represented herein are true and accurate accounts of the measurements of the sample's EMC characteristics under the conditions specified in this report.

**PREPARED BY :** Midoli Peng , **DATE:** May 14, 2014  
( Midoli Peng, Specialist )

**APPROVED BY :** May Chen , **DATE:** May 14, 2014  
( May Chen, Manager )



## 2. SUMMARY OF TEST RESULTS

The EUT has been tested according to the following specifications:

STANDARD SECTION	TEST TYPE	RESULT	REMARK
15.207	AC Power Conducted Emission	PASS	Meet the requirement of limit. Minimum passing margin is -18.84dB at 0.15391MHz
15.247(d) 15.209	Radiated Emissions	PASS	Meet the requirement of limit. Minimum passing margin is -3.3dB at 250.00MHz



## 2.1 MEASUREMENT UNCERTAINTY

Where relevant, the following measurement uncertainty levels have been estimated for tests performed on the EUT as specified in CISPR 16-4-2:

This uncertainty represents an expanded uncertainty expressed at approximately the 95% confidence level using a coverage factor of  $k=2$ .

Measurement	Value
Conducted emissions	2.98 dB
Radiated emissions (30MHz-1GHz)	5.43 dB
Radiated emissions (1GHz -6GHz)	3.65 dB
Radiated emissions (6GHz -18GHz)	3.88 dB
Radiated emissions (18GHz -40GHz)	4.11 dB



### 3. GENERAL INFORMATION

#### 3.1 GENERAL DESCRIPTION OF EUT

<b>COMPLIANCE ID:</b>	ADEB-GX13004A
<b>PRODUCT NAME*:</b>	DB 6520
<b>PRODUCT DESCRIPTION:</b>	VDSL/GbE WiFi Data Router
<i>*For any other product variant refer to above Compliance ID</i>	
<b>POWER SUPPLY</b>	DC 12V from power adapter
<b>MODULATION TYPE</b>	CCK, DQPSK, DBPSK for DSSS 64QAM, 16QAM, QPSK, BPSK for OFDM
<b>MODULATION TECHNOLOGY</b>	DSSS,OFDM
<b>TRANSFER RATE</b>	802.11b: up to 11Mbps 802.11a/g: up to 54Mbps 802.11n(2.4GHz, HT20): up to 144.44Mbps 802.11n(2.4GHz, HT40): up to 300Mbps 802.11n(5GHz, HT20): up to 216.7Mbps 802.11n(5GHz, HT40): up to 450Mbps
<b>OPERATING FREQUENCY</b>	<b>For 15.407</b> <b>5GHz:</b> 5.18 ~ 5.24GHz
	<b>For 15.247</b> <b>2.4GHz:</b> 2.412 ~ 2.462GHz <b>5GHz:</b> 5.745 ~ 5.825GHz
<b>NUMBER OF CHANNEL</b>	<b>For 15.407</b> 4 for 802.11a, 802.11n (HT20) 2 for 802.11n (HT40)
	<b>For 15.247 (2.4GHz)</b> 11 for 802.11b, 802.11g, 802.11n (HT20) 7 for 802.11n (HT40) <b>For 15.247 (5GHz)</b> 5 for 802.11a, 802.11n (HT20) 2 for 802.11n (HT40)



<b>MAXIMUM OUTPUT POWER</b>	<b>For 15.407</b>
	<b>1Tx</b>
	802.11a: 44.771mW
	802.11n (HT20): 45.814mW
	802.11n (HT40): 49.091mW
	<b>2Tx</b>
	802.11n (HT20): 40.235mW
	802.11n (HT40): 45.613mW
	<b>3Tx</b>
	802.11a: 42.316mW
	802.11n (HT20): 40.879mW
	802.11n (HT40): 48.168mW
	<b>For 15.247(2.4GHz)</b>
	<b>1Tx</b>
	802.11b: 211.836mW
802.11g: 171.396mW	
802.11n (HT20): 166.725mW	
802.11n (HT40): 118.577mW	
<b>2Tx</b>	
802.11g: 335.393mW	
802.11n (HT20): 328.496mW	
802.11n (HT40): 200.063mW	
<b>For 15.247(5GHz)</b>	
<b>1Tx</b>	
802.11a: 174.582mW	
802.11n (HT20): 176.604mW	
802.11n (HT40): 146.893mW	
<b>2Tx</b>	
802.11n (HT20): 274.861mW	
802.11n (HT40): 280.831mW	
<b>3Tx</b>	
802.11a: 378.121mW	
802.11n (HT20): 344.956mW	
802.11n (HT40): 221.806mW	
<b>ANTENNA TYPE</b>	Please see NOTE
<b>DATA CABLE</b>	NA
<b>I/O PORTS</b>	Refer to user's manual
<b>ASSOCIATED DEVICES</b>	Adapter x1





**NOTE:**

1. 2.4GHz and 5GHz technology can transmit at same time.
2. The EUT must be supplied with a power adapter as following table:

Brand	Model No.	Spec.
Ampower Tek	AU36AA-00	Input: 100-240V, 1.2A, 50-60Hz Output: 12V, 3A DC output cable(1.85m, unshielded with one core)

3. The antennas provided to the EUT, please refer to the following table:

Transmitter Circuit (Ant. No.)	Brand	Model	Antenna Type	Gain (dBi) (including cable loss)	Diversity Function	Frequency range (GHz to GHz)	Connector Type	Cable Length (mm)
Chain (0) A2	Airgain	M2450DL CM-T1-G 100U	PIFA	3.0	Yes	5.15 to 5.35	I-PEX	100
				5.1		5.47 to 5.85		
Chain (1) A3	Airgain	M2450DL CM-T-G8 5CC20R2	PIFA	2.6	Yes	2.4 to 2.49	I-PEX	85
				2.5		5.15 to 5.35		
				3.8		5.47 to 5.85		
Chain (2) A1	Airgain	M2450DL CM-T1-G 190UR2	PIFA	1.8	Yes	2.4 to 2.49	I-PEX	190
				2.1		5.15 to 5.35		
				3.1		5.47 to 5.85		

**Note. :** 1. For 2.4GHz<1Tx mode>: Chain (1) was chosen for final test.  
 2. For 5GHz<1Tx mode>: Chain (0) was chosen for final test.  
 3. For 5GHz<2Tx mode>: Chain (0) & Chain (1) were chosen for final test.



4. The EUT incorporates a MIMO function without beam forming.

MODULATION MODE	DATA RATE (MCS)	TX & RX CONFIGURATION	
802.11b	1 ~ 11Mbps	1Tx diversity	1Rx diversity
802.11g	6 ~ 54Mbps	1Tx diversity & 2Tx CDD	1Rx diversity & 2Rx
802.11n (HT20) (2.4GHz)	MCS 0~7	1Tx diversity & 2Tx CDD	1Rx diversity & 2Rx
	MCS 8~15	2Tx SDM	2Rx
802.11n (HT40) (2.4GHz)	MCS 0~7	1Tx diversity & 2Tx CDD	1Rx diversity & 2Rx
	MCS 8~15	2Tx SDM	2Rx
802.11a	6 ~ 54Mbps	1Tx diversity & 3Tx CDD	3Rx
802.11n (HT20) (5GHz)	MCS 0~7	1Tx diversity & 3Tx CDD	1Rx diversity & 3Rx
	MCS 8~15	2Tx diversity & 3Tx CDD	2Rx diversity & 3Rx
	MCS 16~23	3Tx SDM	3Rx
802.11n (HT40) (5GHz)	MCS 0~7	1Tx diversity & 3Tx CDD	1Rx diversity & 3Rx
	MCS 8~15	2Tx diversity & 3Tx CDD	2Rx diversity & 3Rx
	MCS 16~23	3Tx SDM	3Rx

5. For 2.4 GHz: When the EUT operating in 802.11n, the software operation, which is defined by manufacturer, MCS (Modulation and Coding Schemes) from 0 to 15.
6. For 5 GHz: When the EUT operating in 802.11n, the software operation, which is defined by manufacturer, MCS (Modulation and Coding Schemes) from 0 to 23.
7. The above EUT information was declared by the manufacturer and for more detailed features description, please refer to the manufacturer's specifications or User's Manual.



### 3.2 TEST MODE APPLICABILITY AND TESTED CHANNEL DETAIL:

EUT configure mode	Applicable to				Description
	PLC	RE<1G	RE≥1G	OB	
-	√	√	√	√	-

Where PLC: Power Line Conducted Emission RE<1G RE: Radiated Emission below 1GHz  
 RE≥1G: Radiated Emission above 1GHz OB: Conducted Out-Band Emission Measurement

#### POWER LINE CONDUCTED EMISSION TEST:

Following channel(s) was (were) selected for the final test as listed below.

Mode	Available Channel	Tested Channel	Modulation Technology	Modulation Type
2.4 GHz (802.11g / 2Tx) +	1 to 13	6	OFDM	BPSK
5 GHz (802.11a / 3Tx)	149 to 165	149	OFDM	BPSK

#### RADIATED EMISSION TEST:

Following channel(s) was (were) selected for the final test as listed below.

Mode	Available Channel	Tested Channel	Modulation Technology	Modulation Type
2.4 GHz (802.11g / 2Tx) +	1 to 13	6	OFDM	BPSK
5 GHz (802.11a / 3Tx)	149 to 165	149	OFDM	BPSK



**CONDUCTED OUT-BAND EMISSION MEASUREMENT:**

Following channel(s) was (were) selected for the final test as listed below.

Mode	Available Channel	Tested Channel	Modulation Technology	Modulation Type
2.4 GHz (802.11g / 2Tx) +	1 to 13	6	OFDM	BPSK
5 GHz (802.11a / 3Tx)	149 to 165	149	OFDM	BPSK

**TEST CONDITION:**

APPLICABLE TO	ENVIRONMENTAL CONDITIONS	INPUT POWER	TESTED BY
PLC	19deg. C, 62%RH	120Vac, 60Hz	Sean Huang
RE<1G	22deg. C, 67%RH	120Vac, 60Hz	Tim Ho
RE <sup>3</sup> 1G	22deg. C, 69%RH	120Vac, 60Hz	Andy Ho
OB	25deg. C, 60%RH	120Vac, 60Hz	Chilin Lee



### 3.3 DESCRIPTION OF SUPPORT UNITS

The EUT has been tested as an independent unit together with other necessary accessories or support units. The following support units or accessories were used to form a representative test configuration during the tests.

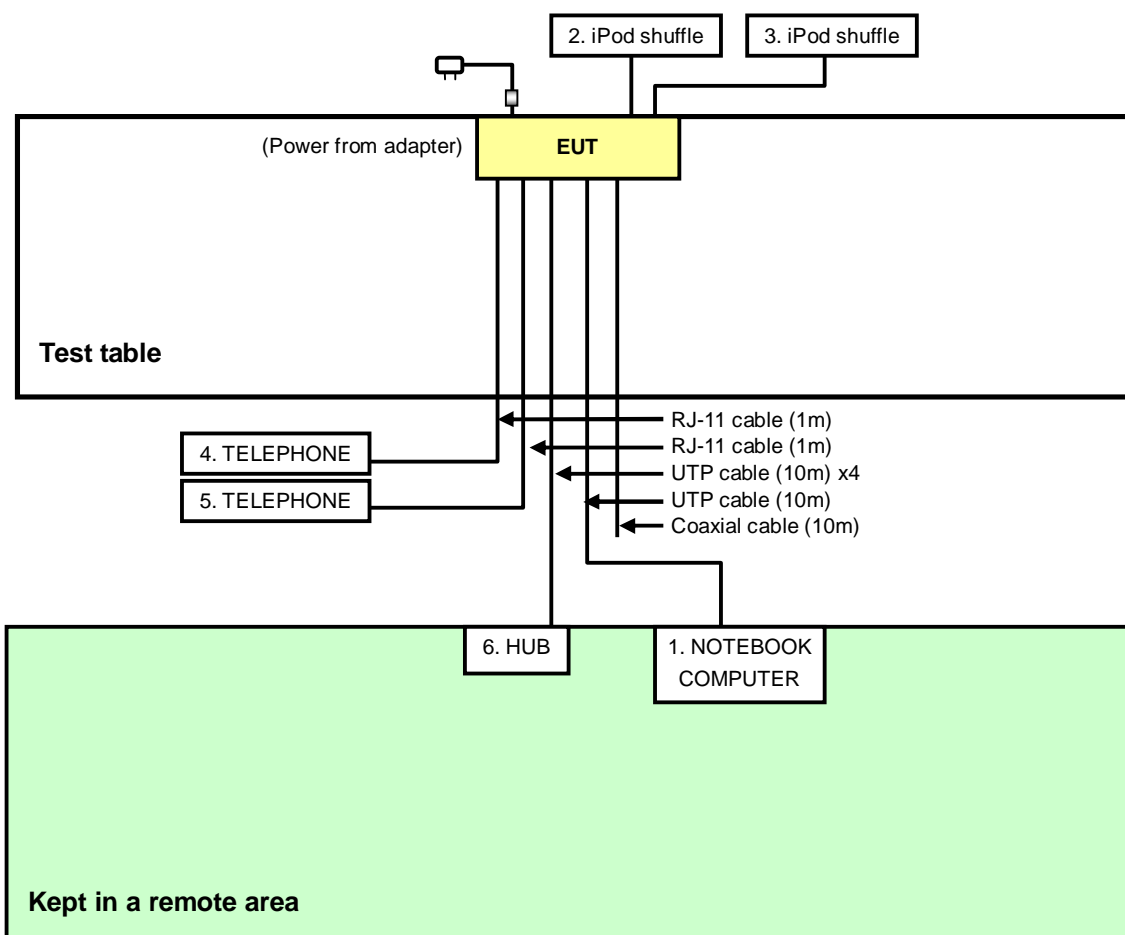
NO.	PRODUCT	BRAND	MODEL NO.	SERIAL NO.	FCC ID
1	NOTEBOOK COMPUTER	DELL	PP32LA	FSLB32S	FCC DoC
2	iPod shuffle	Apple	MC749TA/A	CC4DMFJUDFDM	NA
3	iPod shuffle	Apple	MC749TA/A	CC4DN25WDFDM	NA
4	TELEPHONE	WONDER	WD-303	7C17KA 04011	NA
5	TELEPHONE	WONDER	WD-303	7C17KA 04440	NA
6	HUB	ZyXEL	ES-116P	S060H02000215	FCC DoC

NO.	SIGNAL CABLE DESCRIPTION OF THE ABOVE SUPPORT UNITS
1	UTP Cable, 10m
2	USB Cable, 0.1m
3	USB Cable, 0.1m
4	RJ-11 Cable, 1m
5	RJ-11 Cable, 1m
6	UTP Cable, 10m

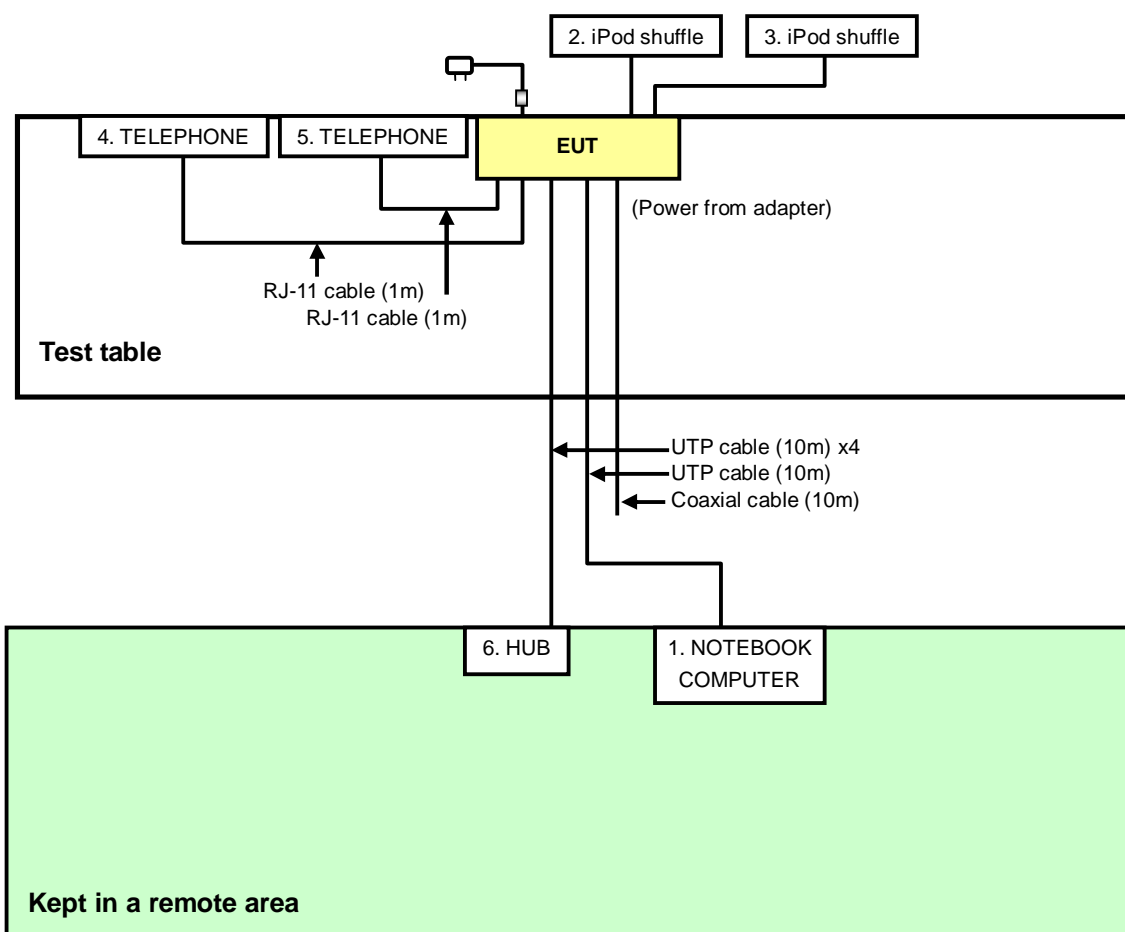
**NOTE:** All power cords of the above support units are non shielded (1.8m).

### 3.4 CONFIGURATION OF SYSTEM UNDER TEST

For conducted emission test:



For other test items:





## 4. TEST TYPES AND RESULTS

### 4.1 CONDUCTED EMISSION MEASUREMENT

#### 4.1.1 LIMITS OF CONDUCTED EMISSION MEASUREMENT

FREQUENCY OF EMISSION (MHz)	CONDUCTED LIMIT (dBµV)	
	Quasi-peak	Average
0.15-0.5	66 to 56	56 to 46
0.5-5	56	46
5-30	60	50

- NOTE:**
1. The lower limit shall apply at the transition frequencies.
  2. The limit decreases in line with the logarithm of the frequency in the range of 0.15 to 0.50 MHz.

#### 4.1.2 TEST INSTRUMENTS

DESCRIPTION & MANUFACTURER	MODEL NO.	SERIAL NO.	CALIBRATED DATE	CALIBRATED UNTIL
Test Receiver ROHDE & SCHWARZ	ESCS 30	100375	Mar. 08, 2013	Mar. 07, 2014
Line-Impedance Stabilization Network (for EUT) SCHWARZBECK	NSLK8127	8127-522	Sep. 05, 2013	Sep. 04, 2014
Line-Impedance Stabilization Network (for Peripheral)	ENV216	100072	June 06, 2013	June 05, 2014
RF Cable (JYEBAO)	5DFB	COCCAB-001	Mar. 11, 2013	Mar. 10, 2014
50 ohms Terminator	50	EMC-03	Sep. 24, 2013	Sep. 23, 2014
Software ADT	BV ADT_Cond_V7.3.7. 3	NA	NA	NA

**Note:**

1. The calibration interval of the above test instruments is 12 months and the calibrations are traceable to NML/ROC and NIST/USA.
2. The test was performed in Shielded Room No. C.
3. The VCCI Con C Registration No. is C-3611.
4. Tested Date: Jan. 27, 2014





#### 4.1.3 TEST PROCEDURES

- a. The EUT was placed 0.4 meters from the conducting wall of the shielded room with EUT being connected to the power mains through a line impedance stabilization network (LISN). Other support units were connected to the power mains through another LISN.
- b. The two LISNs provide 50 ohm/ 50uH of coupling impedance for the measuring instrument.
- c. Both lines of the power mains connected to the EUT were checked for maximum conducted interference.
- d. The frequency range from 150kHz to 30MHz was searched. Emission levels under (Limit - 20dB) were not recorded.

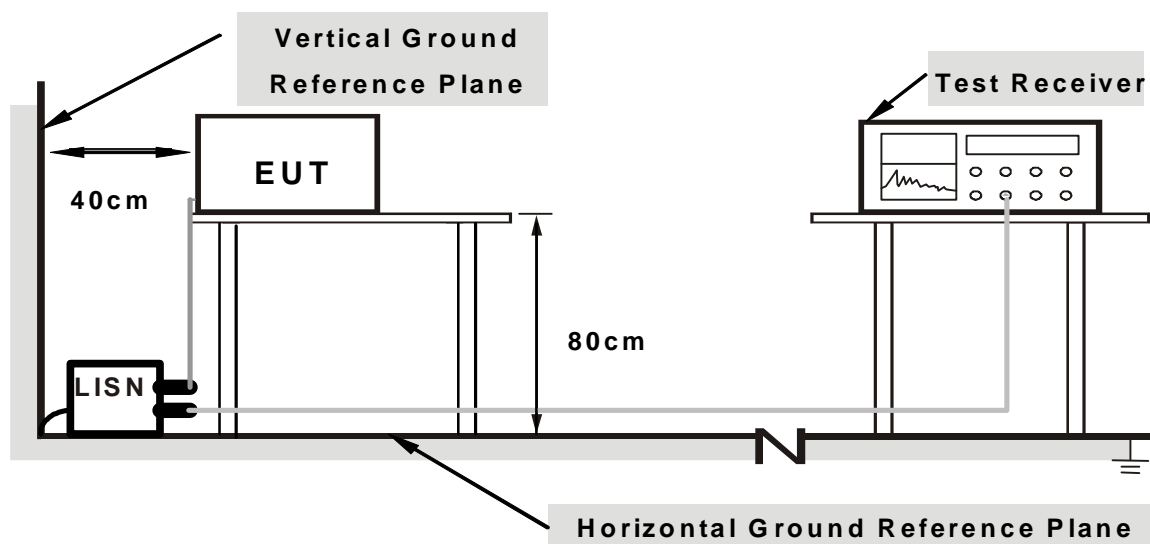
**NOTE:**

1. The resolution bandwidth of test receiver is 9kHz for Quasi-peak detection (QP) & Average detection (AV).

#### 4.1.4 DEVIATION FROM TEST STANDARD

No deviation

#### 4.1.5 TEST SETUP



**Note: 1.Support units were connected to second LISN.**

For the actual test configuration, please refer to the related item – Photographs of the Test Configuration.

#### 4.1.6 EUT OPERATING CONDITIONS

1. Place the EUT on testing table.
2. Prepare computer system (support unit 1) to act as communication partner.
3. The communication partner runs test program “Mtool 2.0.1.0” to enable EUT under transmission/receiving condition continuously at specific channel frequency.

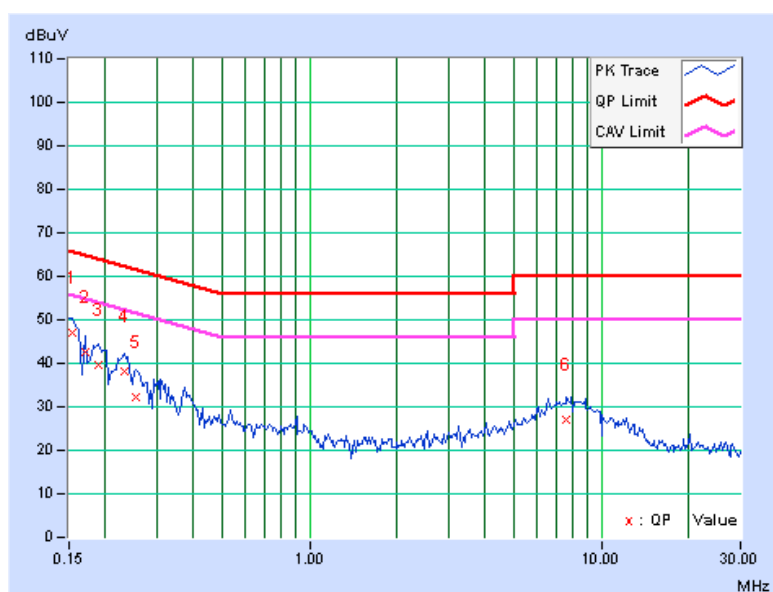
### 4.1.7 TEST RESULTS

<b>PHASE</b>	Line (L)	<b>DETECTOR FUNCTION</b>	Quasi-Peak (QP) / Average (AV)
--------------	----------	--------------------------	--------------------------------

No	Freq. [MHz]	Corr. Factor (dB)	Reading Value [dB (uV)]		Emission Level [dB (uV)]		Limit [dB (uV)]		Margin (dB)	
			Q.P.	AV.	Q.P.	AV.	Q.P.	AV.	Q.P.	AV.
1	0.15391	0.08	46.86	35.80	46.94	35.88	65.79	55.79	-18.84	-19.90
2	0.16953	0.09	42.47	26.57	42.56	26.66	64.98	54.98	-22.43	-28.33
3	0.18906	0.10	39.57	26.56	39.67	26.66	64.08	54.08	-24.41	-27.42
4	0.23203	0.11	38.03	25.88	38.14	25.99	62.38	52.38	-24.24	-26.39
5	0.25547	0.11	31.98	19.33	32.09	19.44	61.58	51.58	-29.49	-32.14
6	7.62109	0.39	26.77	22.66	27.16	23.05	60.00	50.00	-32.84	-26.95

#### REMARKS:

1. Q.P. and AV. are abbreviations of quasi-peak and average individually.
2. The emission levels of other frequencies were very low against the limit.
3. Margin value = Emission Level – Limit value
4. Correction Factor = Insertion loss + Cable loss
5. Emission Level = Correction Factor + Reading Value



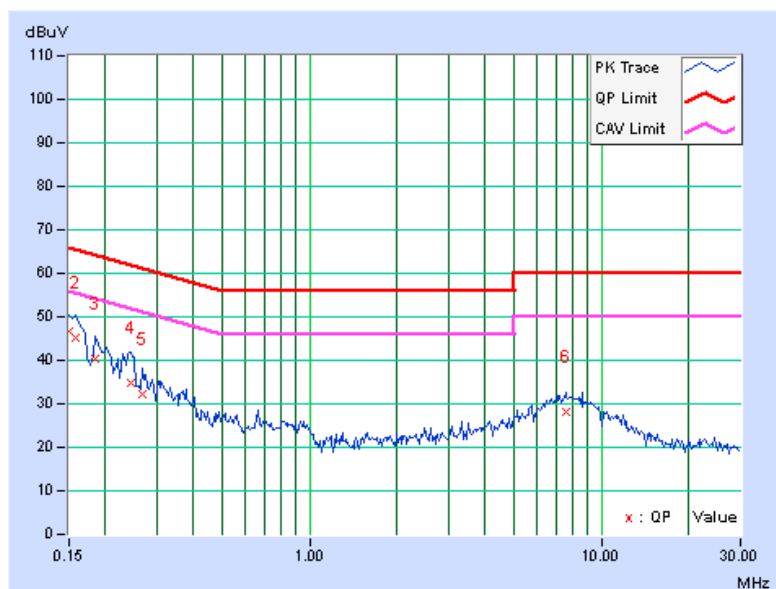


<b>PHASE</b>	Neutral (N)	<b>DETECTOR FUNCTION</b>	Quasi-Peak (QP) / Average (AV)
--------------	-------------	--------------------------	--------------------------------

No	Freq.	Corr.	Reading Value		Emission Level		Limit		Margin	
	[MHz]	Factor (dB)	[dB (uV)]		[dB (uV)]		[dB (uV)]		(dB)	
			Q.P.	AV.	Q.P.	AV.	Q.P.	AV.	Q.P.	AV.
1	0.15000	0.09	46.56	34.83	46.65	34.92	66.00	56.00	-19.35	-21.08
2	0.15781	0.09	45.12	33.42	45.21	33.51	65.58	55.58	-20.37	-22.07
3	0.18516	0.10	40.36	28.09	40.46	28.19	64.25	54.25	-23.79	-26.06
4	0.24375	0.11	34.72	22.92	34.83	23.03	61.97	51.97	-27.14	-28.94
5	0.26719	0.11	32.26	22.21	32.37	22.32	61.20	51.20	-28.83	-28.88
6	7.53516	0.39	27.60	22.66	27.99	23.05	60.00	50.00	-32.01	-26.95

**REMARKS:**

1. Q.P. and AV. are abbreviations of quasi-peak and average individually.
2. The emission levels of other frequencies were very low against the limit.
3. Margin value = Emission Level – Limit value
4. Correction Factor = Insertion loss + Cable loss
5. Emission Level = Correction Factor + Reading Value





## 4.2 RADIATED EMISSION MEASUREMENT

### 4.2.1 LIMITS OF RADIATED EMISSION MEASUREMENT

Radiated emissions which fall in the restricted bands must comply with the radiated emission limits specified as below table. Other emissions shall be at least 20dB below the highest level of the desired power:

Frequencies (MHz)	Field strength (microvolts/meter)	Measurement distance (meters)
0.009-0.490	2400/F(kHz)	300
0.490-1.705	24000/F(kHz)	30
1.705-30.0	30	30
30-88	100	3
88-216	150	3
216-960	200	3
Above 960	500	3

**NOTE:**

1. The lower limit shall apply at the transition frequencies.
2. Emission level (dBuV/m) = 20 log Emission level (uV/m).
3. For frequencies above 1000MHz, the field strength limits are based on average detector, however, the peak field strength of any emission shall not exceed the maximum permitted average limits, specified above by more than 20dB under any condition of modulation.



A D T

## 4.2.2 TEST INSTRUMENTS

### For below 1GHz test

DESCRIPTION & MANUFACTURER	MODEL NO.	SERIAL NO.	CALIBRATED DATE	CALIBRATED UNTIL
MXE EMI Receiver Agilent	N9038A	MY50010156	Jan. 15, 2014	Jan. 14, 2015
Pre-Amplifier Mini-Circuits	ZFL-1000VH2 B	AMP-ZFL-04	Nov. 13, 2013	Nov. 12, 2014
Trilog Broadband Antenna SCHWARZBECK	VULB 9168	9168-361	Mar. 25, 2013	Mar. 24, 2014
RF Cable	NA	CHHCAB_001	Oct. 06, 2013	Oct. 05, 2014
Spectrum Analyzer R&S	FSV40	100964	July 15, 2013	July 14, 2014
Horn_Antenna AISI	AIH.8018	0000220091110	Dec. 06, 2013	Dec. 05, 2014
Pre-Amplifier Agilent	8449B	3008A01923	Oct. 29, 2013	Oct. 28, 2014
RF Cable	NA	RF104-205 RF104-207 RF104-202	Dec. 12, 2013	Dec. 11, 2014
Spectrum Analyzer Agilent	E4446A	MY48250253	Aug. 28, 2013	Aug. 27, 2014
Pre-Amplifier SPACEK LABS	SLKKa-48-6	9K16	Nov. 13, 2013	Nov. 12, 2014
Horn_Antenna SCHWARZBECK	BBHA 9170	9170-424	Oct. 08, 2013	Oct. 07, 2014
Software	ADT_Radiated _V8.7.07	NA	NA	NA
Antenna Tower & Turn Table CT	NA	NA	NA	NA

#### Note:

1. The calibration interval of the above test instruments is 12 months and the calibrations are traceable to NML/ROC and NIST/USA.
2. The horn antenna, preamplifier (model: 8449B) are used only for the measurement of emission frequency above 1GHz if tested.
3. The test was performed in 966 Chamber No. H.
4. The FCC Site Registration No. is 797305.
5. The CANADA Site Registration No. is IC 7450H-3.
6. Tested Date: Feb. 27, 2014



A D T

**For above 1GHz test**

DESCRIPTION & MANUFACTURER	MODEL NO.	SERIAL NO.	CALIBRATED DATE	CALIBRATED UNTIL
MXE EMI Receiver Agilent	N9038A	MY51210105	Jan. 21, 2014	Jan. 20, 2015
Pre-Amplifier Mini-Circuits	ZFL-1000VH2 B	AMP-ZFL-03	Nov. 13, 2013	Nov. 12, 2014
Trilog Broadband Antenna SCHWARZBECK	VULB 9168	9168-360	Mar. 19, 2013	Mar. 18, 2014
RF Cable	NA	CHGCAB_001	Oct. 05, 2013	Oct. 04, 2014
Spectrum Analyzer R&S	FSV40	100964	July 15, 2013	July 14, 2014
Horn_Antenna AISI	AIH.8018	0000320091110	Nov. 18, 2013	Nov. 17, 2014
Pre-Amplifier Agilent	8449B	3008A02578	June 25, 2013	June 24, 2014
RF Cable	NA	RF104-201 RF104-203 RF104-204	Dec. 12, 2013	Dec. 11, 2014
Spectrum Analyzer Agilent	E4446A	MY48250253	Aug. 28, 2013	Aug. 27, 2014
Pre-Amplifier SPACEK LABS	SLKka-48-6	9K16	Nov. 13, 2013	Nov. 12, 2014
Horn_Antenna SCHWARZBECK	BBHA 9170	9170-424	Oct. 08, 2013	Oct. 07, 2014
Software	ADT_Radiated _V8.7.07	NA	NA	NA
Antenna Tower & Turn Table CT	NA	NA	NA	NA

**Note:**

1. The calibration interval of the above test instruments is 12 months and the calibrations are traceable to NML/ROC and NIST/USA.
2. The horn antenna, preamplifier (model: 8449B) are used only for the measurement of emission frequency above 1GHz if tested.
3. The test was performed in 966 Chamber No. G.
4. The FCC Site Registration No. is 966073.
5. The VCCI Site Registration No. is G-137.
6. The CANADA Site Registration No. is IC 7450H-2.
7. Tested Date: Feb. 27, 2014



### 4.2.3 TEST PROCEDURES

- a. The EUT was placed on the top of a rotating table 0.8 meters above the ground at 3 meter chamber room for test. The table was rotated 360 degrees to determine the position of the highest radiation.
- b. The EUT was set 3 meters away from the interference-receiving antenna, which was mounted on the top of a variable-height antenna tower.
- c. The height of antenna is varied from one meter to four meters above the ground to determine the maximum value of the field strength. Both horizontal and vertical polarizations of the antenna are set to make the measurement.
- d. For each suspected emission, the EUT was arranged to its worst case and then the antenna was tuned to heights from 1 meter to 4 meters and the rotatable table was turned from 0 degrees to 360 degrees to find the maximum reading.
- e. The test-receiver system was set to quasi-peak detect function and specified bandwidth with maximum hold mode when the test frequency is below 1 GHz.
- f. The test-receiver system was set to peak and average detect function and specified bandwidth with maximum hold mode when the test frequency is above 1 GHz. If the peak reading value also meets average limit, measurement with the average detector is unnecessary.

**NOTE:**

1. The resolution bandwidth and video bandwidth of test receiver/spectrum analyzer is 120kHz for Quasi-peak detection (QP) at frequency below 1GHz.
2. The resolution bandwidth of test receiver/spectrum analyzer is 1 MHz and the video bandwidth is 3 MHz for Peak detection (PK) at frequency above 1GHz.
3. The resolution bandwidth of test receiver/spectrum analyzer is 1MHz and the video bandwidth is 3MHz for RMS Average (Duty cycle < 98%) for Average detection (AV) at frequency above 1GHz, then the measurement results was added to a correction factor ( $10 \log(1/\text{duty cycle})$ ).
4. The resolution bandwidth of test receiver/spectrum analyzer is 1MHz and the video bandwidth is 10Hz (Duty cycle  $\geq 98\%$ ) for Average detection (AV) at frequency above 1GHz.
5. All modes of operation were investigated and the worst-case emissions are reported.

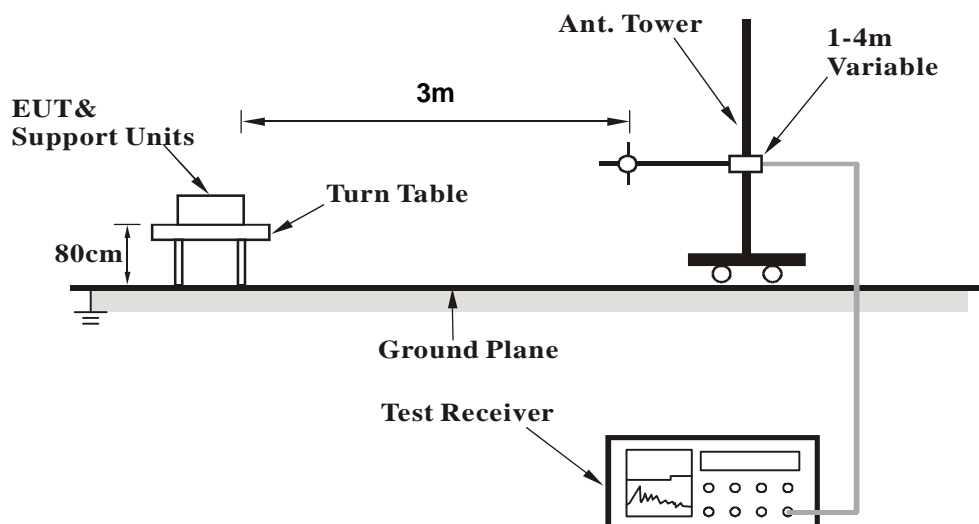
### 4.2.4 DEVIATION FROM TEST STANDARD

No deviation

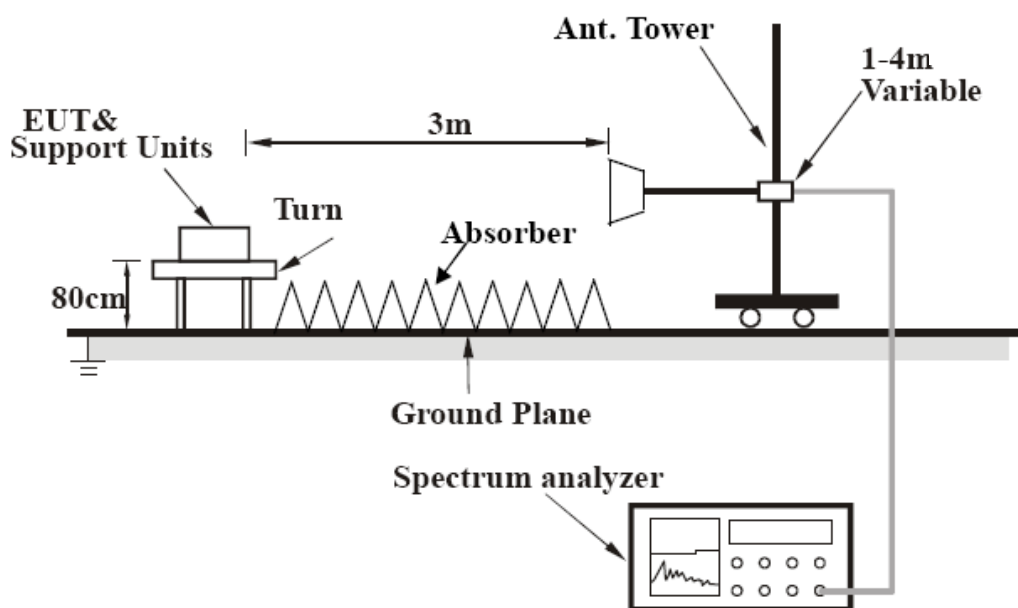


### 4.2.5 TEST SETUP

#### <Frequency Range below 1GHz>



#### <Frequency Range above 1GHz>



For the actual test configuration, please refer to the related item – Photographs of the Test Configuration.

### 4.2.6 EUT OPERATING CONDITIONS

Same as 4.1.6



A D T

### 4.2.7 TEST RESULTS

#### BELOW 1GHz DATA :

<b>FREQUENCY RANGE</b>	Below 1GHz	<b>DETECTOR FUNCTION</b>	Quasi-Peak (QP)
------------------------	------------	--------------------------	-----------------

#### ANTENNA POLARITY & TEST DISTANCE: HORIZONTAL AT 3 M

NO.	FREQ. (MHz)	EMISSION LEVEL (dBuV/m)	LIMIT (dBuV/m)	MARGIN (dB)	ANTENNA HEIGHT (m)	TABLE ANGLE (Degree)	RAW VALUE (dBuV)	CORRECTION FACTOR (dB/m)
1	250.00	42.8 QP	46.0	-3.3	1.26 H	305	56.42	-13.67
2	400.01	42.4 QP	46.0	-3.6	1.00 H	226	51.76	-9.36
3	440.02	40.3 QP	46.0	-5.7	1.49 H	243	48.14	-7.81
4	460.00	40.8 QP	46.0	-5.2	1.55 H	213	48.43	-7.60
5	500.01	41.1 QP	46.0	-4.9	1.33 H	247	47.98	-6.91
6	750.03	41.7 QP	46.0	-4.3	1.44 H	254	43.40	-1.68

#### ANTENNA POLARITY & TEST DISTANCE: VERTICAL AT 3 M

NO.	FREQ. (MHz)	EMISSION LEVEL (dBuV/m)	LIMIT (dBuV/m)	MARGIN (dB)	ANTENNA HEIGHT (m)	TABLE ANGLE (Degree)	RAW VALUE (dBuV)	CORRECTION FACTOR (dB/m)
1	250.00	40.3 QP	46.0	-5.7	1.50 V	224	53.93	-13.67
2	319.98	38.7 QP	46.0	-7.3	1.00 V	228	49.60	-10.86
3	400.01	37.5 QP	46.0	-8.5	2.00 V	86	46.88	-9.36
4	599.97	39.2 QP	46.0	-6.8	1.22 V	247	43.86	-4.63
5	750.03	38.8 QP	46.0	-7.3	1.00 V	102	40.43	-1.68
6	799.99	38.3 QP	46.0	-7.8	1.21 V	254	39.22	-0.97

#### REMARKS:

1. Emission Level(dBuV/m) = Raw Value(dBuV) + Correction Factor(dB/m)
2. Correction Factor(dB/m) = Antenna Factor(dB/m) + Cable Factor(dB) – Pre-Amplifier Factor(dB)
3. The other emission levels were very low against the limit.
4. Margin value = Emission Level – Limit value



A D T

**ABOVE 1GHz DATA**

<b>FREQUENCY RANGE</b>	1GHz ~ 40GHz	<b>DETECTOR FUNCTION</b>	Peak (PK) Average (AV)
------------------------	--------------	--------------------------	---------------------------

**ANTENNA POLARITY & TEST DISTANCE: HORIZONTAL AT 3 M**

NO.	FREQ. (MHz)	EMISSION LEVEL (dBuV/m)	LIMIT (dBuV/m)	MARGIN (dB)	ANTENNA HEIGHT (m)	TABLE ANGLE (Degree)	RAW VALUE (dBuV)	CORRECTION FACTOR (dB/m)
1	4874.00	52.4 PK	74.0	-21.6	1.19 H	167	45.07	7.33
2	4874.00	38.8 AV	54.0	-15.2	1.19 H	167	31.47	7.33
3	7311.00	55.3 PK	74.0	-18.7	1.14 H	137	40.34	14.96
4	7311.00	42.8 AV	54.0	-11.2	1.14 H	137	27.84	14.96
5	11490.00	62.6 PK	74.0	-11.4	1.11 H	214	46.02	16.58
6	11490.00	49.0 AV	54.0	-5.0	1.11 H	214	32.42	16.58

**ANTENNA POLARITY & TEST DISTANCE: VERTICAL AT 3 M**

NO.	FREQ. (MHz)	EMISSION LEVEL (dBuV/m)	LIMIT (dBuV/m)	MARGIN (dB)	ANTENNA HEIGHT (m)	TABLE ANGLE (Degree)	RAW VALUE (dBuV)	CORRECTION FACTOR (dB/m)
1	4874.00	52.1 PK	74.0	-21.9	1.07 V	86	44.77	7.33
2	4874.00	38.3 AV	54.0	-15.7	1.07 V	86	30.97	7.33
3	7311.00	56.4 PK	74.0	-17.6	1.15 V	194	41.44	14.96
4	7311.00	43.0 AV	54.0	-11.0	1.15 V	194	28.04	14.96
5	11490.00	59.5 PK	74.0	-14.5	1.01 V	213	42.92	16.58
6	11490.00	48.1 AV	54.0	-5.9	1.01 V	213	31.52	16.58

**REMARKS:**

1. Emission Level(dBuV/m) = Raw Value(dBuV) + Correction Factor(dB/m)
2. Correction Factor(dB/m) = Antenna Factor(dB/m) + Cable Factor(dB) – Pre-Amplifier Factor(dB)
3. The other emission levels were very low against the limit.
4. Margin value = Emission Level – Limit value



### 4.3 CONDUCTED OUT-BAND EMISSION MEASUREMENT

#### 4.3.1 LIMITS OF CONDUCTED OUT-BAND EMISSION MEASUREMENT

Below 30dB of the highest emission level of operating band (in 100kHz Resolution Bandwidth).

#### 4.3.2 TEST INSTRUMENTS

DESCRIPTION & MANUFACTURER	MODEL NO.	SERIAL NO.	CALIBRATED DATE	CALIBRATED UNTIL
Spectrum Analyzer R&S	FSP40	100036	Jan. 21, 2014	Jan. 20, 2015

**Note:**

1. The calibration interval of the above test instruments is 12 months and the calibrations are traceable to NML/ROC and NIST/USA.
2. Tested date : Feb. 26, 2014

#### 4.3.3 TEST PROCEDURE

##### Measurement Procedure - Reference Level

1. Set the RBW = 100 kHz.
2. Set the VBW  $\geq$  300 kHz.
3. Detector = peak.
4. Sweep time = auto couple.
5. Trace mode = max hold.
6. Allow trace to fully stabilize.
7. Use the peak marker function to determine the maximum power level in any 100 kHz band segment within the fundamental EBW.

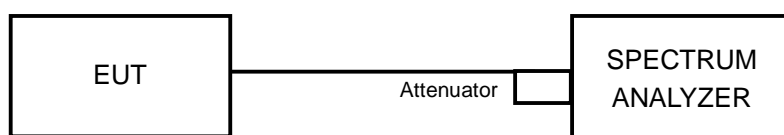
##### Measurement Procedure –Unwanted Emission Level

1. Set RBW = 100 kHz.
2. Set VBW  $\geq$  300 kHz.
3. Set span to encompass the spectrum to be examined.
4. Detector = peak.
5. Trace Mode = max hold.
6. Sweep = auto couple.

#### 4.3.4 DEVIATION FROM TEST STANDARD

No deviation

#### 4.3.5 TEST SETUP



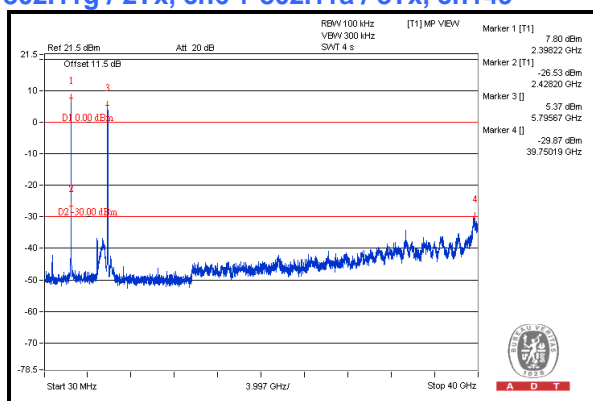
#### 4.3.6 EUT OPERATING CONDITION

Same as Item 4.1.6

#### 4.3.7 TEST RESULTS

The spectrum plots are attached on the following pages. D1 line indicates the highest level, and D2 line indicates the 30dB offset below D1. It shows compliance with the requirement.

#### 802.11g / 2Tx, ch6 + 802.11a / 3Tx, ch149





A D T

#### 4. INFORMATION ON THE TESTING LABORATORIES

We, Bureau Veritas Consumer Products Services (H.K.) Ltd., Taoyuan Branch, were founded in 1988 to provide our best service in EMC, Radio, Telecom and Safety consultation. Our laboratories are accredited and approved according to ISO/IEC 17025.

If you have any comments, please feel free to contact us at the following:

**Linko EMC/RF Lab:**

Tel: 886-2-26052180

Fax: 886-2-26052943

**Hsin Chu EMC/RF Lab:**

Tel: 886-3-5935343

Fax: 886-3-5935342

**Hwa Ya EMC/RF/Safety/Telecom Lab:**

Tel: 886-3-3183232

Fax: 886-3-3270892

**Email:** [service.adt@tw.bureauveritas.com](mailto:service.adt@tw.bureauveritas.com)

**Web Site:** [www.bureauveritas-adt.com](http://www.bureauveritas-adt.com)

The address and road map of all our labs can be found in our web site also.

---END---