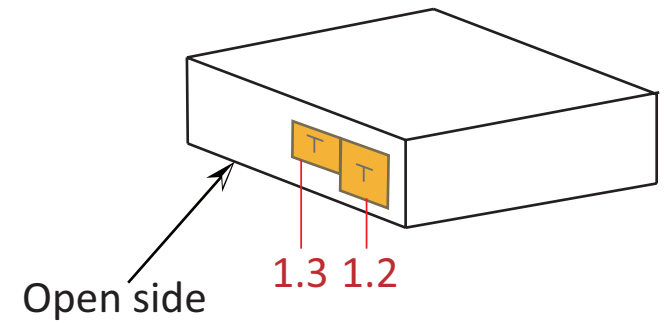
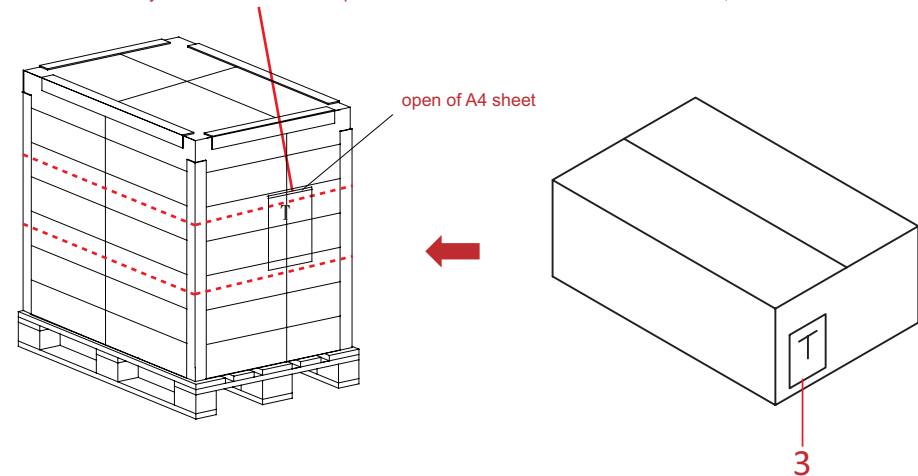


1.5 It must be inserted into the STB PE bag (at the bottom of STB)



- Warranty Seal label shall be affixed in such a way that it covers one screw and hidden by rubber foot.
- STB Housing Serialization Label - the label is affixed to the bottom of product casing in the dedicated area, please make sure that the label does not cover ventilation holes.
- STB Housing WIFI Label - it applies ONLY to 1761WF variant; the label is affixed to the bottom of product casing in the dedicated area, please make sure that the label does not cover ventilation holes.

Customer Pallet label (2pcs/pallet)  
 Label shall be placed on two opposite sides of the pallet center  
 Add one layer film cover on the pallet label sheet  
 CQA must double check all the status of pallet label sheet before shipping.  
 the outside one layer film don't cover the open side fo A4 sheet

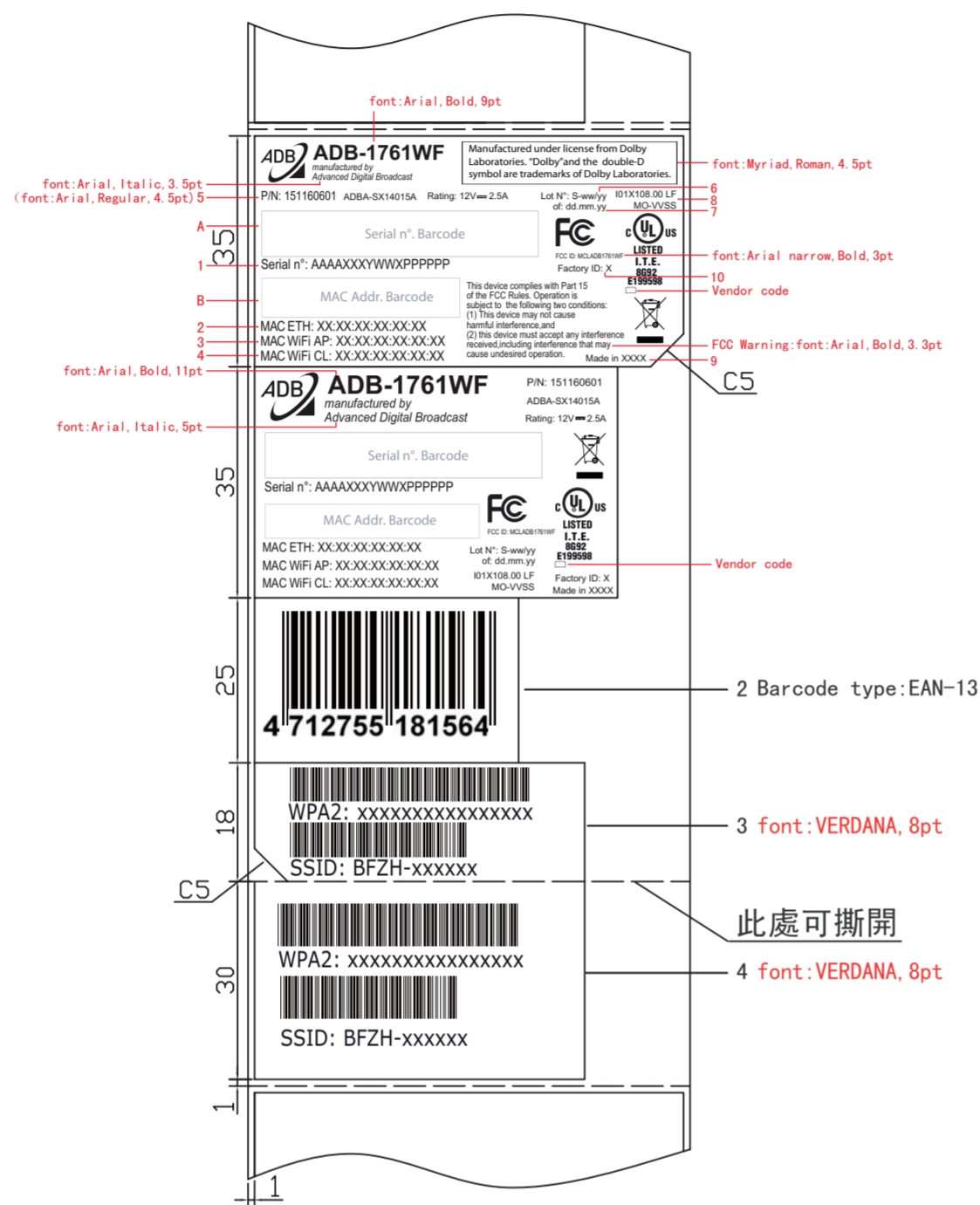


ITEM	PN	Description	Qty
	A4	pallet label	2/Pallet
3	503.00501.005	carton label	1/10
2	503.01094.005	warranty label	1
1.5	500.01828.005	STB WIFI Spare Label	1
1.4		STB Housing WIFI Label	
1.3		EAN Code label	
1.2		Gift box label	
1.1		STB Housing Serialization Label	
ITEM	PN	Description	Qty

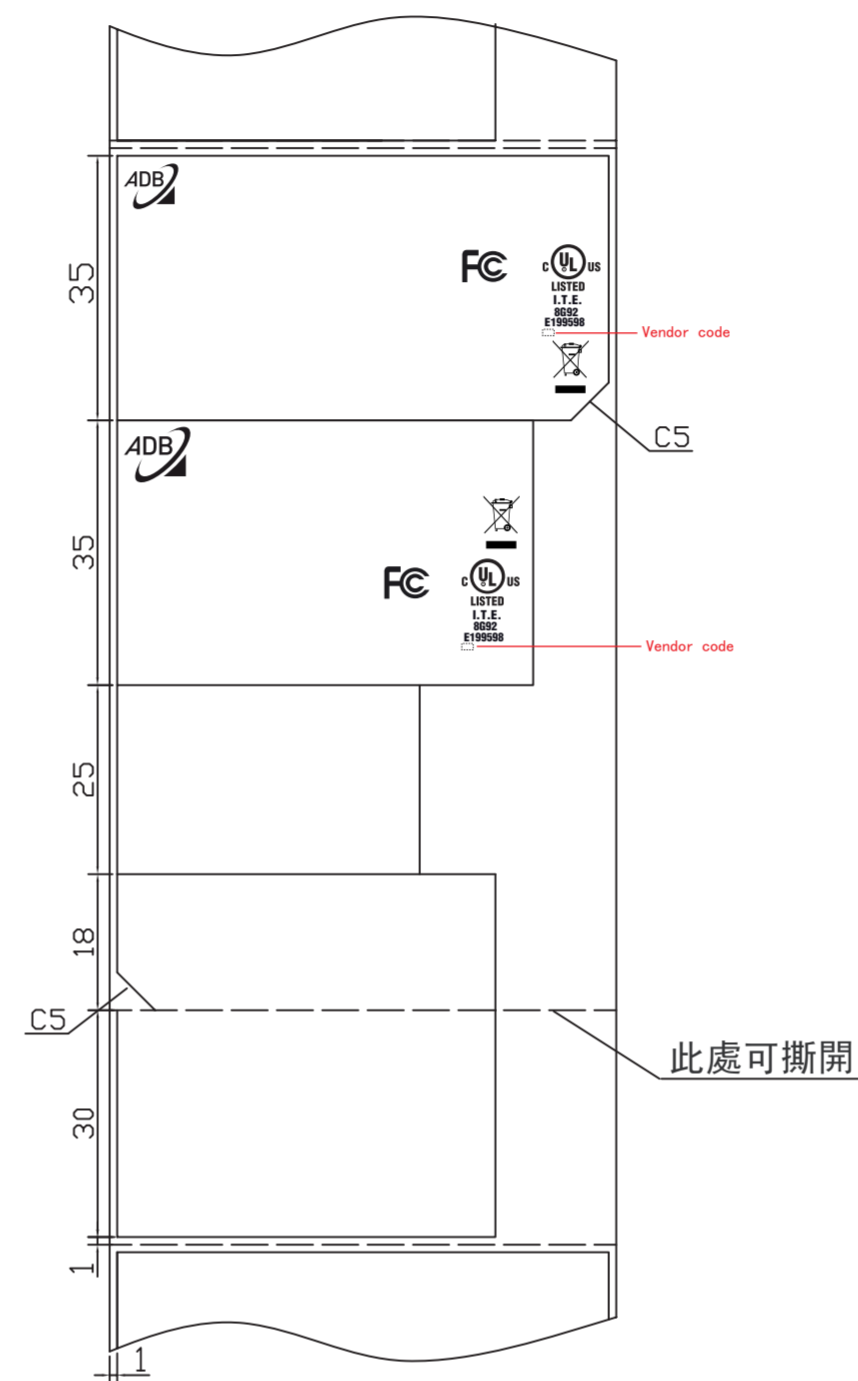
**All Label position**

REV.	MARK.	ECN NO.	DATE	UPDATE DESCRIPTIONS	SIGNATURE
0			2015.05.14	First release	Iris

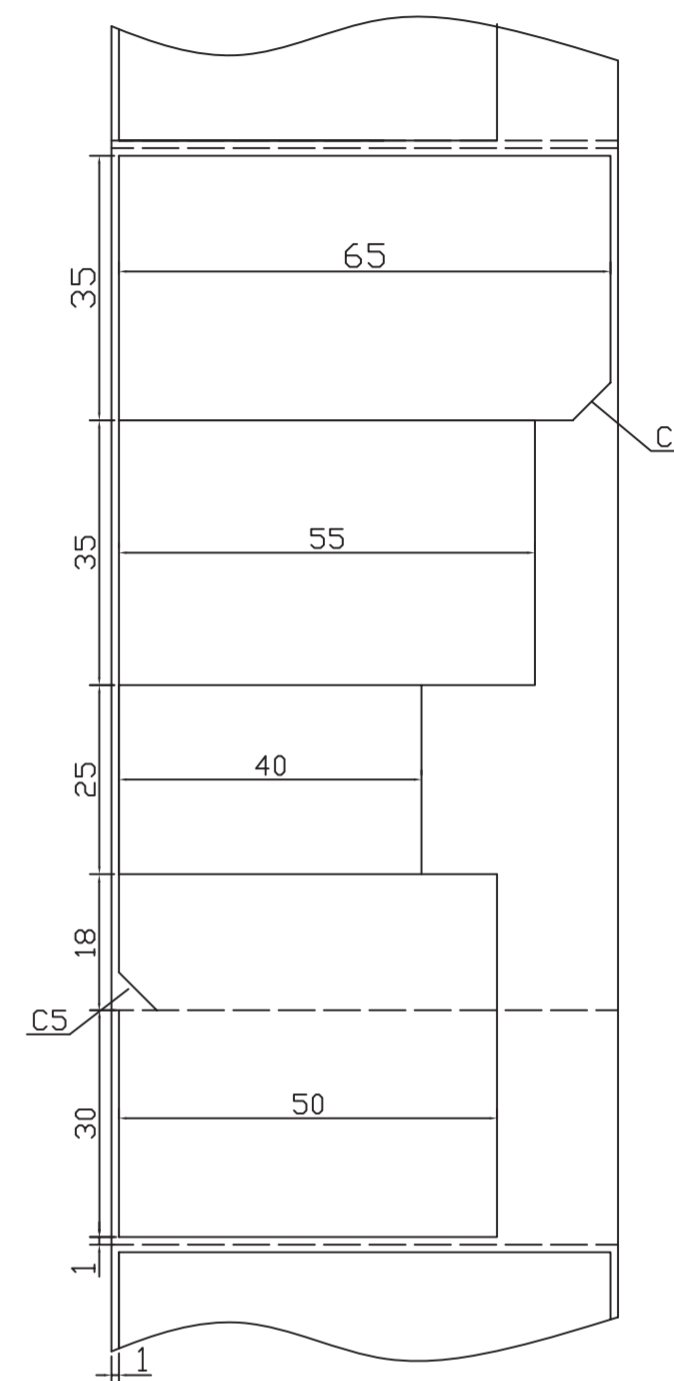
The label definition see the next page



Foxconn print



Vendor supply



Size detail

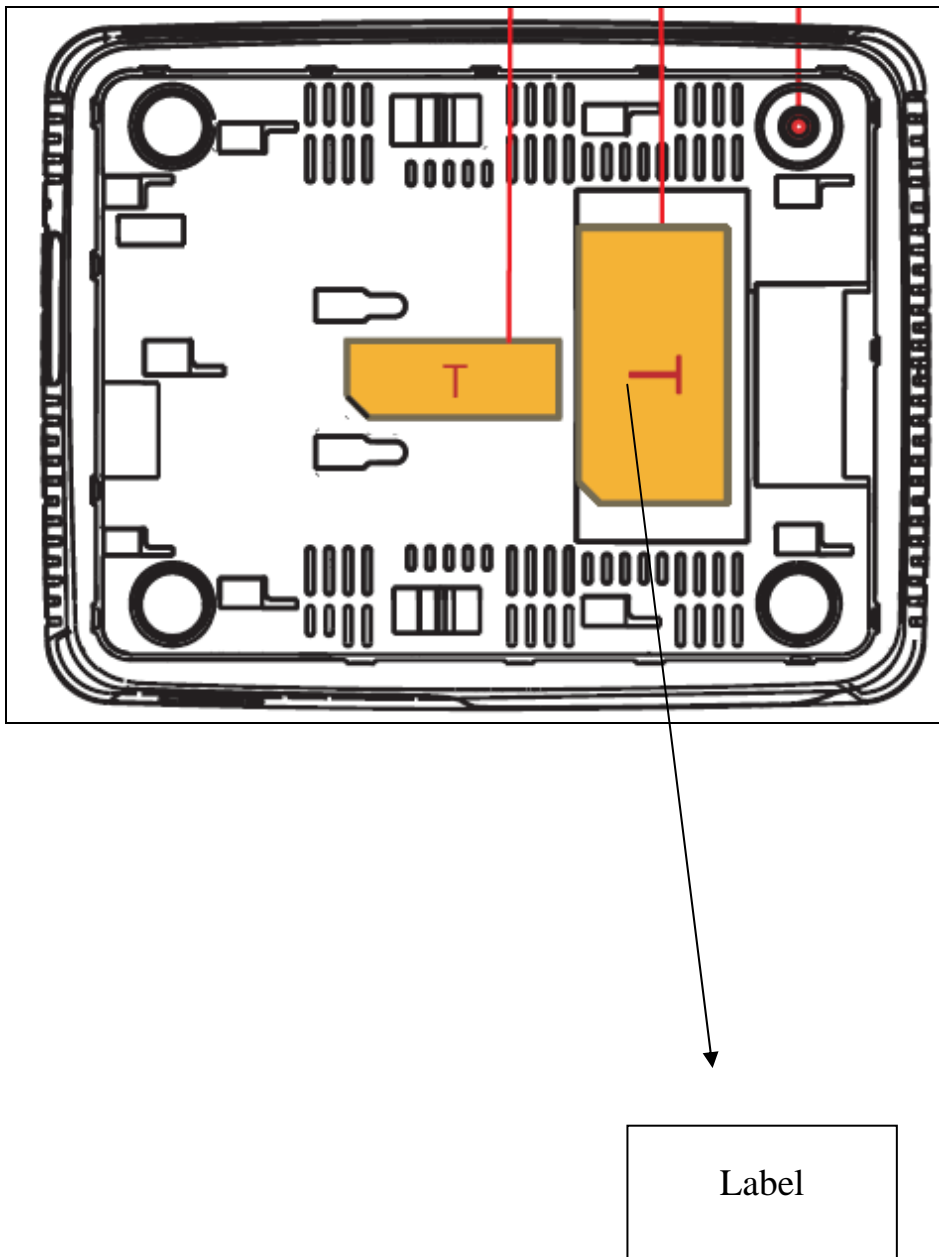
Note

1. label material is 50# mylar (matte)+25PET (matte)
2. Surface Material
  - 50# mylar (matte) thickness:0.052+/-0.004mm
  - 25PET (matte) thickness:0.025+/-0.003mm
3. Adhesive is embossing (壓花膠)
4. Adhesive thickness:0.033+/-0.003mm
5. Adhesion to steel:1.0~2.2 kg/inch
6. Initial Tack:1~6 #
7. Holding Power:1hr/kg\*inch<sup>2</sup>
8. background color:White
9. Print color:Black
10. package bag must contain UL information

MATERIAL (SPEC.): 50# mylar (matte)+25PET (matte)		SCALE 1:1	<b>FOXCONN</b> HON HAI PRECISION IND. CO., LTD CNSBG		
FINISH:		SHEET 1/1			
DIM. TOLERANCES		UNIT mm	PART NAME <b>5 IN 1 label</b>		DESIGNED Iris
DIM.	TOL.	WARPAGE D(MAX.) =0.2%L	MODEL <b>I01X108.00</b>	PART NO. <b>500.01828.005</b>	REV. <b>0</b>
0~6	±0.05	ANGLE TOLERANCES	CHECKED Sunny		
6~30	±0.10	ANGLE	CUSTOMER MODEL <b>ADB-1761WF</b>	CUSTOMER PART NO. <b>NA</b>	APPROVED PK
30~120	±0.15	TOL.			
120~300	±0.20	X°			
300~	±0.25	.X°			
CRITICAL DIM. MARK "*"					

## FCC LABEL LOCATION

The label will be permanently affixed at a conspicuous location on the device.



(Fig. 1) FCC ID: MCLADB1761WF