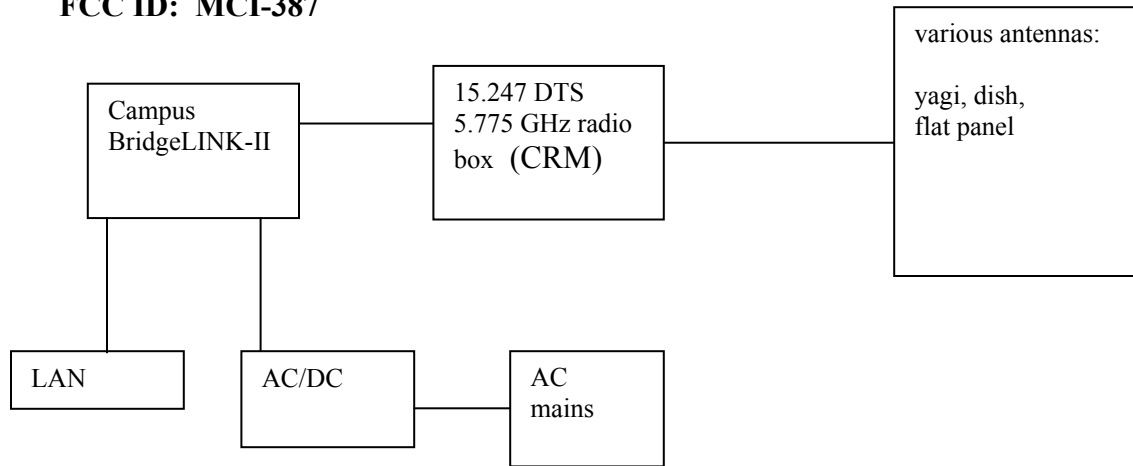


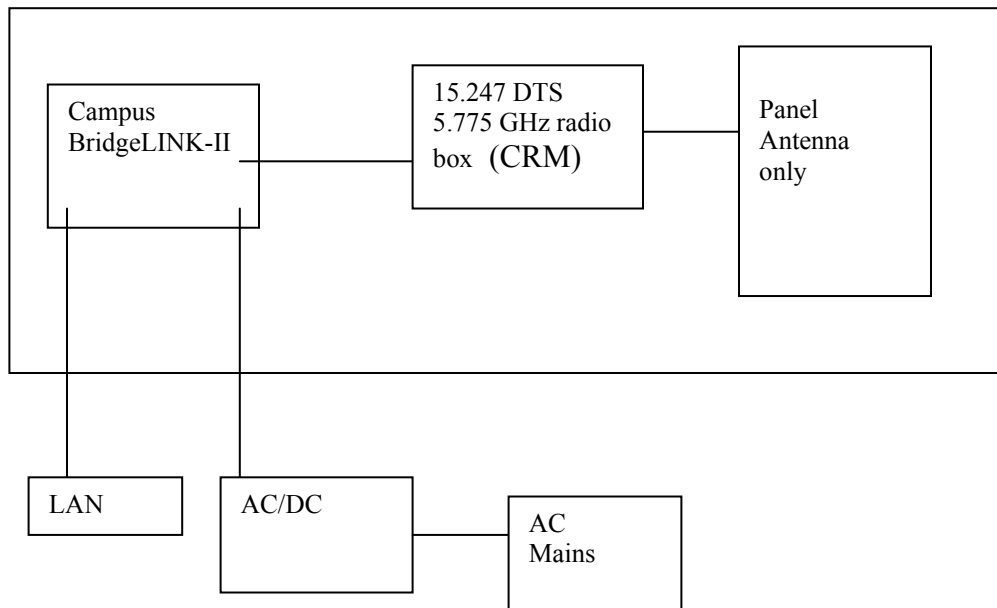
Description of RadioLAN Product Similarities

FCC ID: MCI-387



FCC ID: MCI-377

plastic enclosure ↘



The two products use the same electronics, with the exception that the 387 is limited to the EA panel antenna only. Antenna conducted data is taken at the antenna output of the CRM, and is applicable to both products. The radiated and AC line conducted data taken for one product is applicable to both units. The same schematics, block diagrams, and theory of operation are applicable to both products.