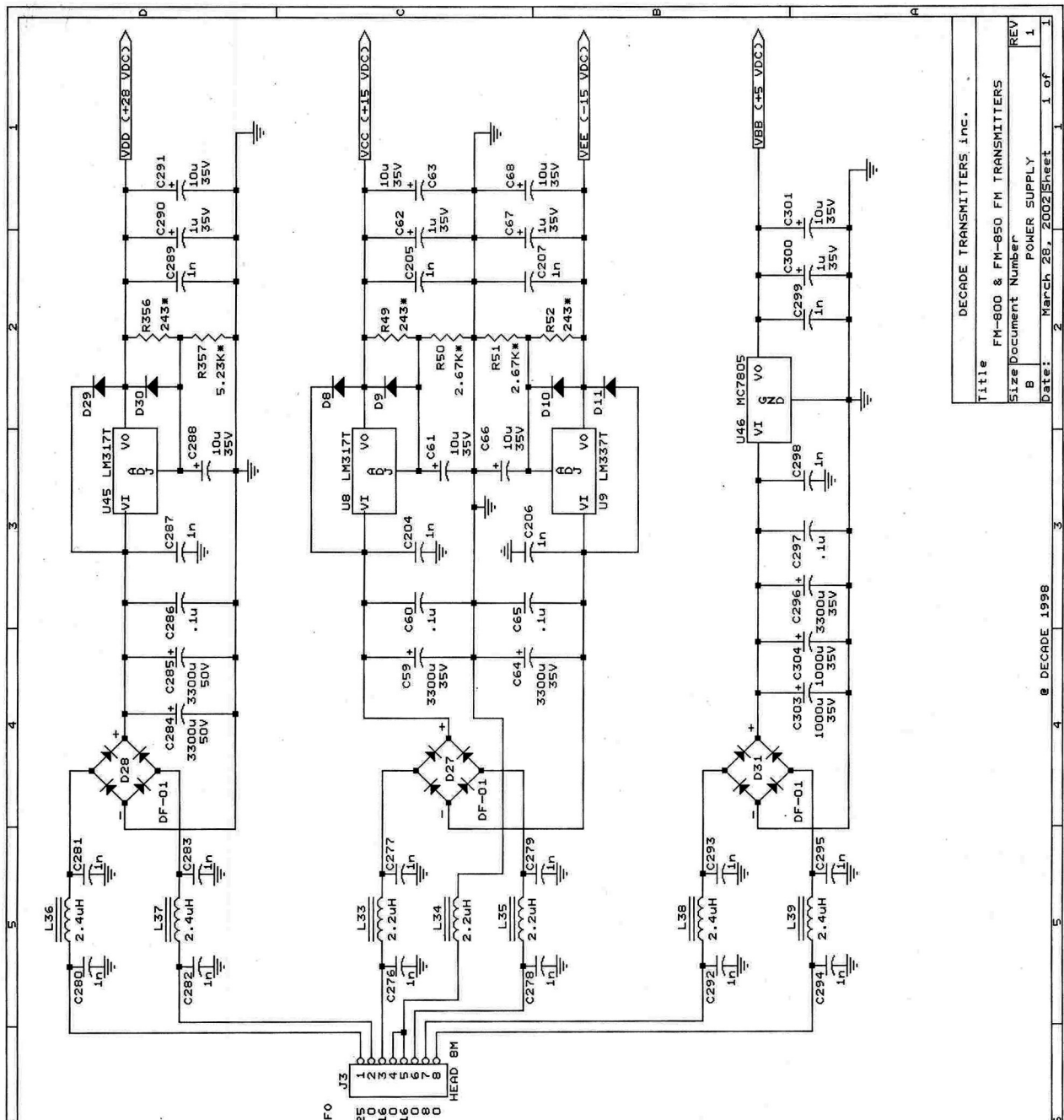
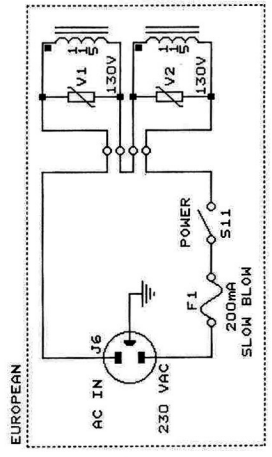
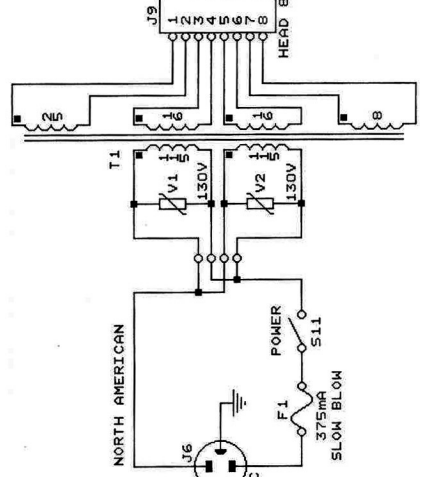


TOROIDAL TRANSFORMER SPECIFICATIONS

PRIMARY:	115 VRMS, 21.5 VA
	115 VRMS, 21.5 VA
SECONDARY:	25 VRMS, 880 mA (22 VAC)
	16 VRMS, 470 mA (7.5 VAC)
	16 VRMS, 470 mA (7.5 VAC)
	8 VRMS, 750 mA (6 VAC)



NOTES:

- resistors: 1%.
- 1u capacitors: TANTALUM
- capacitors > 1u: ELEC.
- T1 is a toroidal transformer
- D8 - D11, D29 - D30: 1N4001

DECADE TRANSMITTERS, inc.

Title: FM-800 & FM-850 FM TRANSMITTERS

Size: Document Number: B

REV: 1

Date: March 28, 2002 Sheet 1 of 1