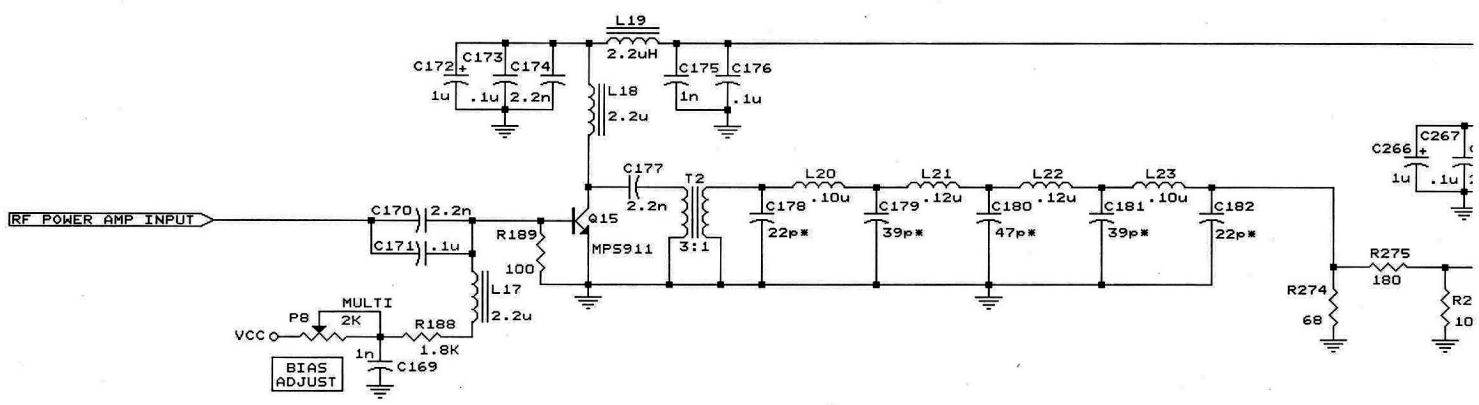
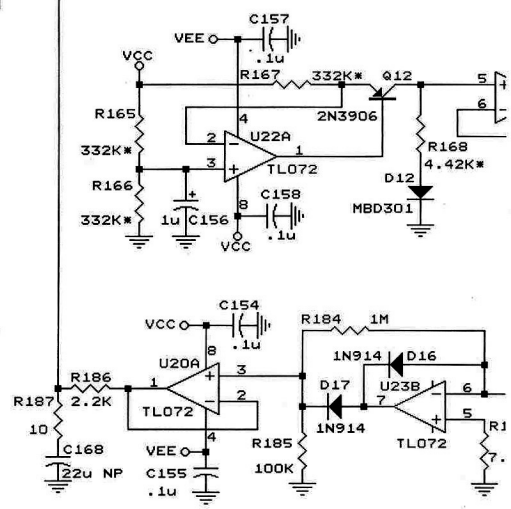


VDD INPUT (+28 VDC) → OVDD

VCC INPUT (+15 VDC) → OVCC

VEE INPUT (-15 VDC) → OVEE



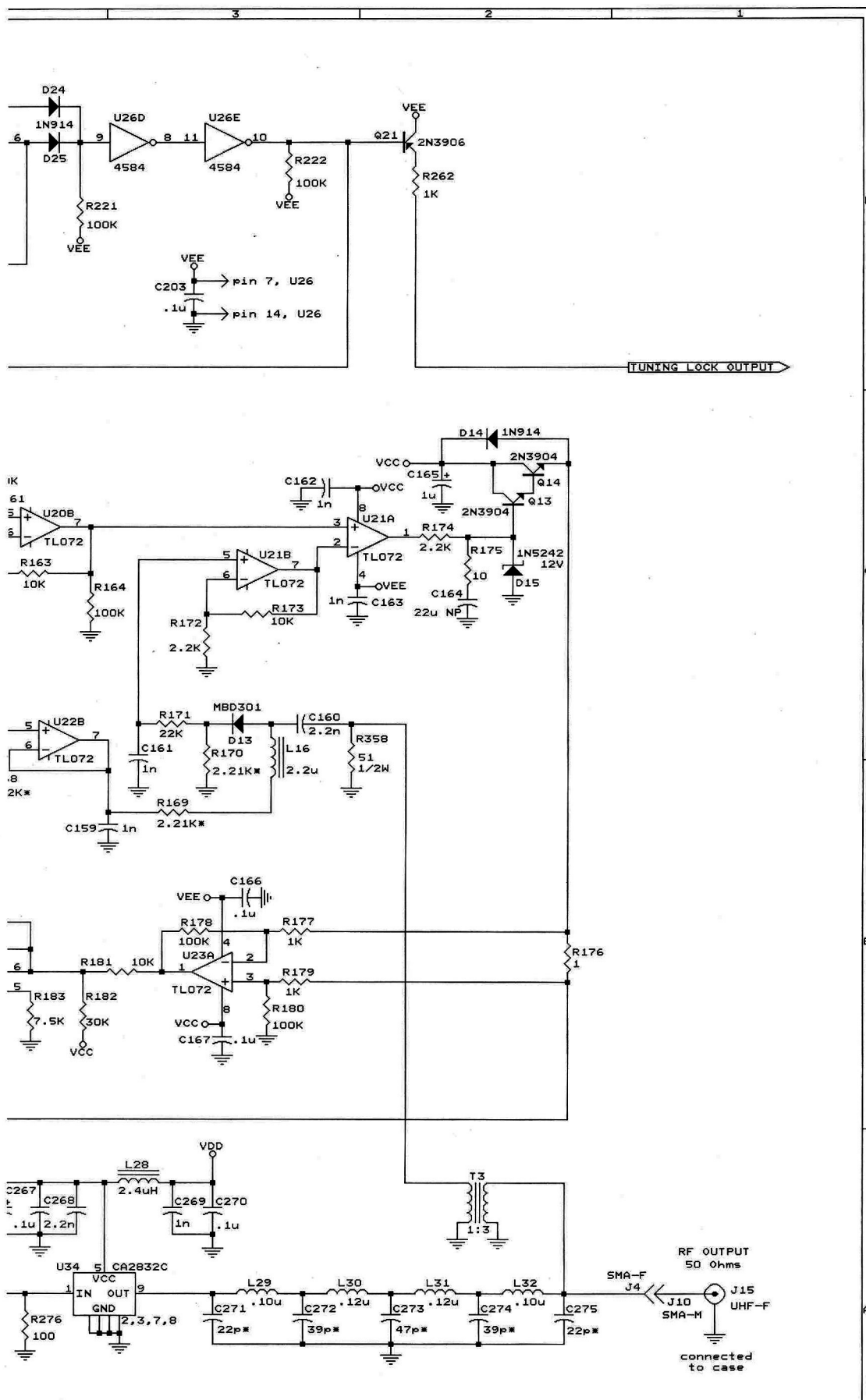
NOTES:

resistors: 1/4 W, 5%

1u capacitors: TANTALUM

capacitors > 1u: ELEC.

* RESISTORS 1%, CAPACITORS 2%



DECADE TRANSMITTERS inc.	
Title FM-800 & FM-850 FM TRANSMITTERS	
Size Document Number	
C POWER AMP (1.8 WATTS) & CONTROLLER	REV 1
Date: June 6, 2001	Sheet 1 of 1