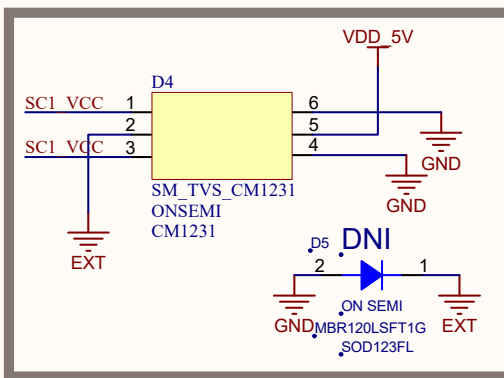
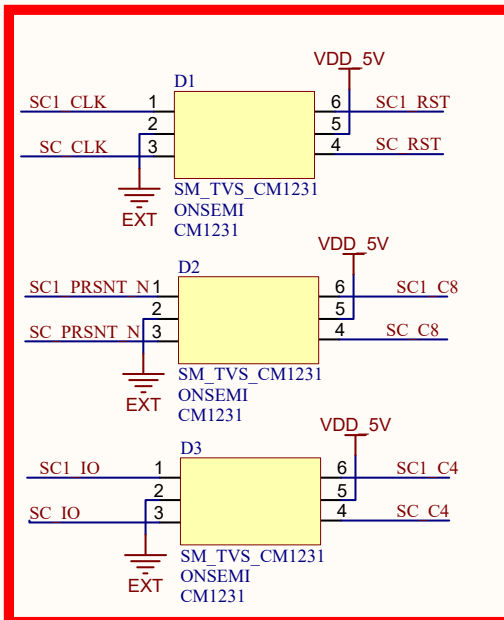
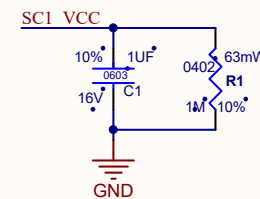
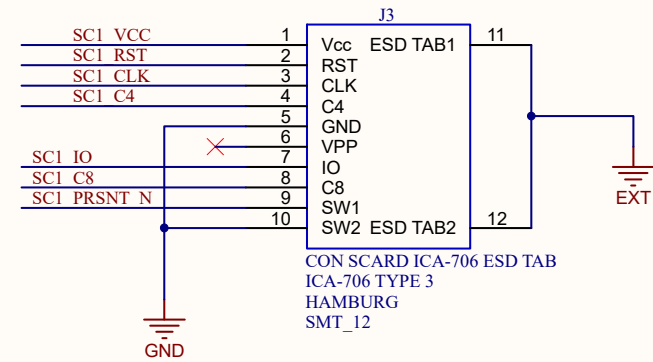
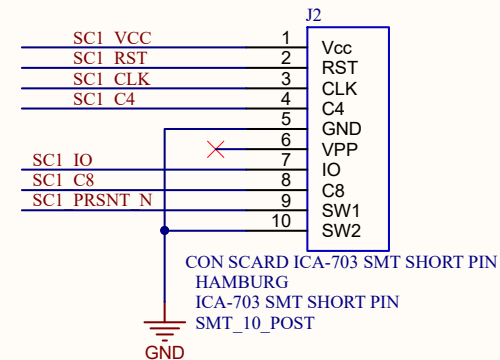


**Check C4 , this can be a bigger cap with a higher rating**



**M5 mounting pad can be secured with a wire to the chassis and the other end returned to the shield on the phoenix connector**

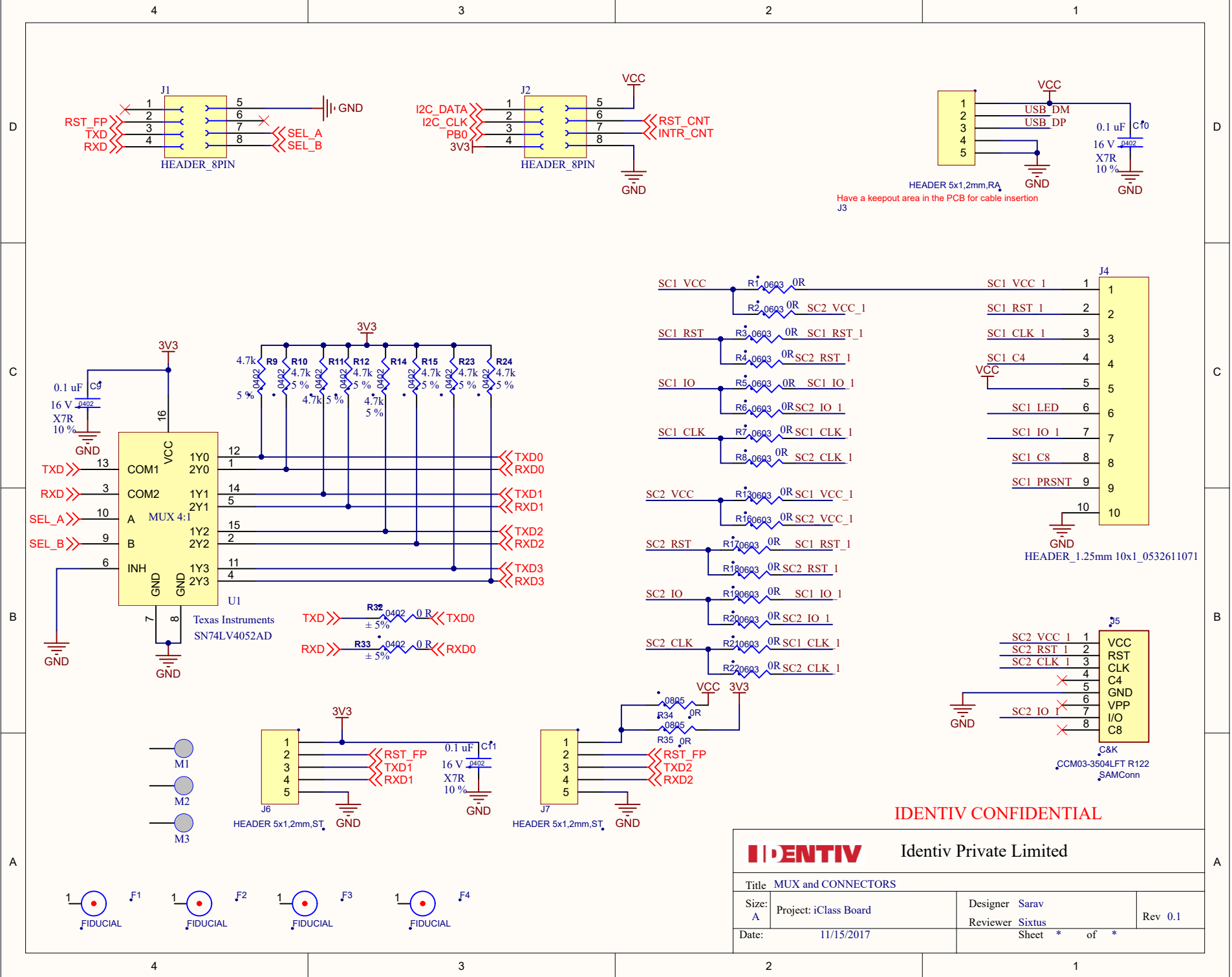


**IDENTIV CONFIDENTIAL**



Identiv Private Ltd.

Title			
Size: A	Project:	Designer	Rev
Date:	10/4/2017	Reviewer	Sheet * of *



Have a keepout area in the PCB for cable insertion  
J3

IDENTIV CONFIDENTIAL

<b>IDENTIV</b> Identiv Private Limited		
Title: MUX and CONNECTORS		
Size: A	Project: iClass Board	Designer: Sarav
Date: 11/15/2017		Reviewer: Sixtus
		Sheet * of *
		Rev 0.1

4

3

2

1

D

D

## REV History

Rev	Description	Date
0	Initial version	10-APR-2017
0.1	Added Cap for EMI close to Clock pin - C12 Added R36 for card det in Slot 2	31-OCT-2017

C

C

B

B

A

A

**IDENTIV CONFIDENTIAL**

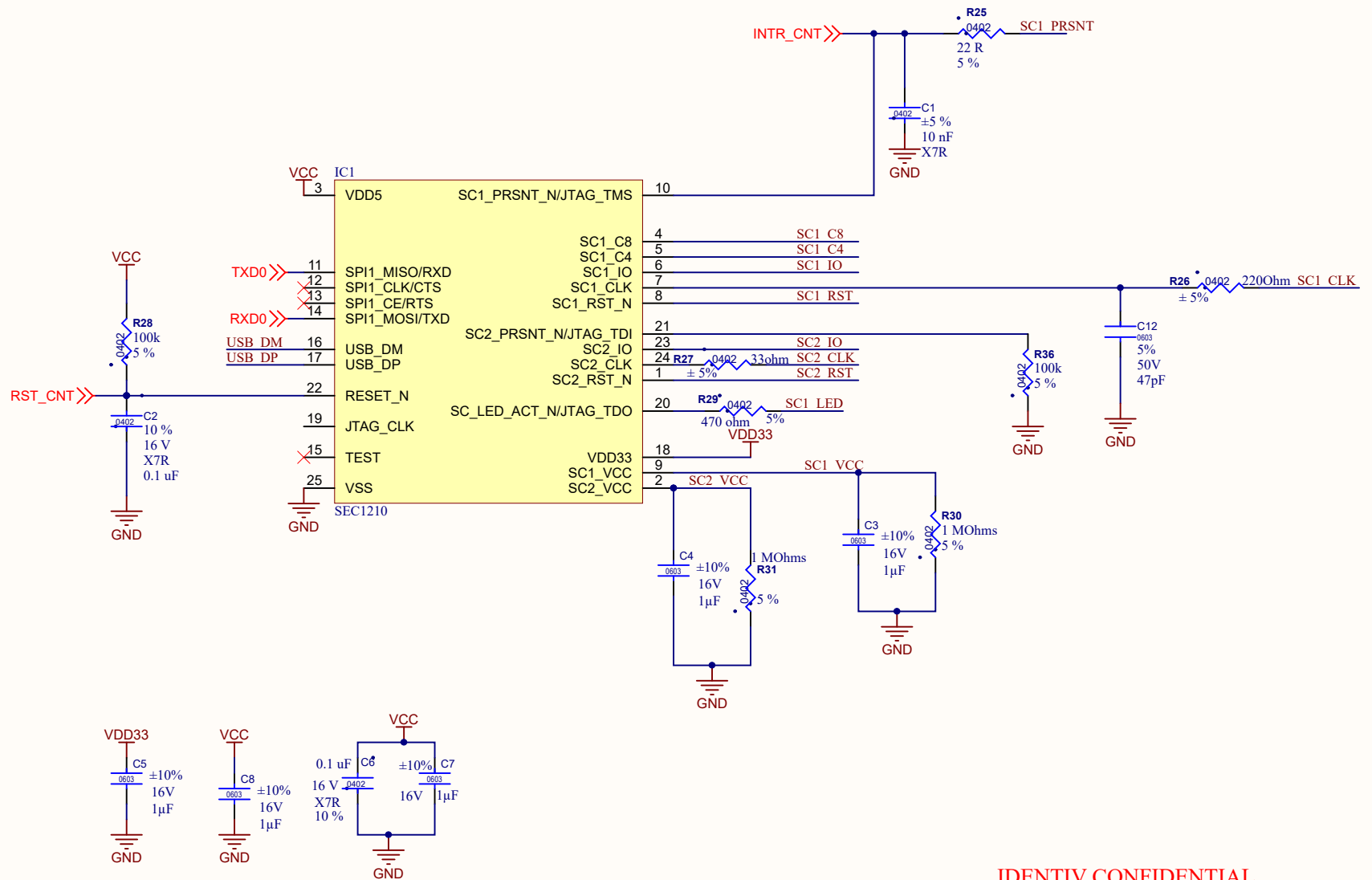
<b>IDENTIV</b>		Identiv Private Limited	
Title:	Rev History		
Size: A	Project: iClass Board	Designer: Sarav	Reviewer: Sixtus
Date:	11/15/2017	Sheet * of *	Rev 0.1

4

3

2

1



IDENTIV CONFIDENTIAL

<b>IDENTIV</b>		Identiv Private Limited	
Title	SEC1210		
Size: A	Project: iClass Board	Designer: Sarav	Rev 0.1
Date:	11/15/2017	Reviewer: Sixtus	Sheet * of *